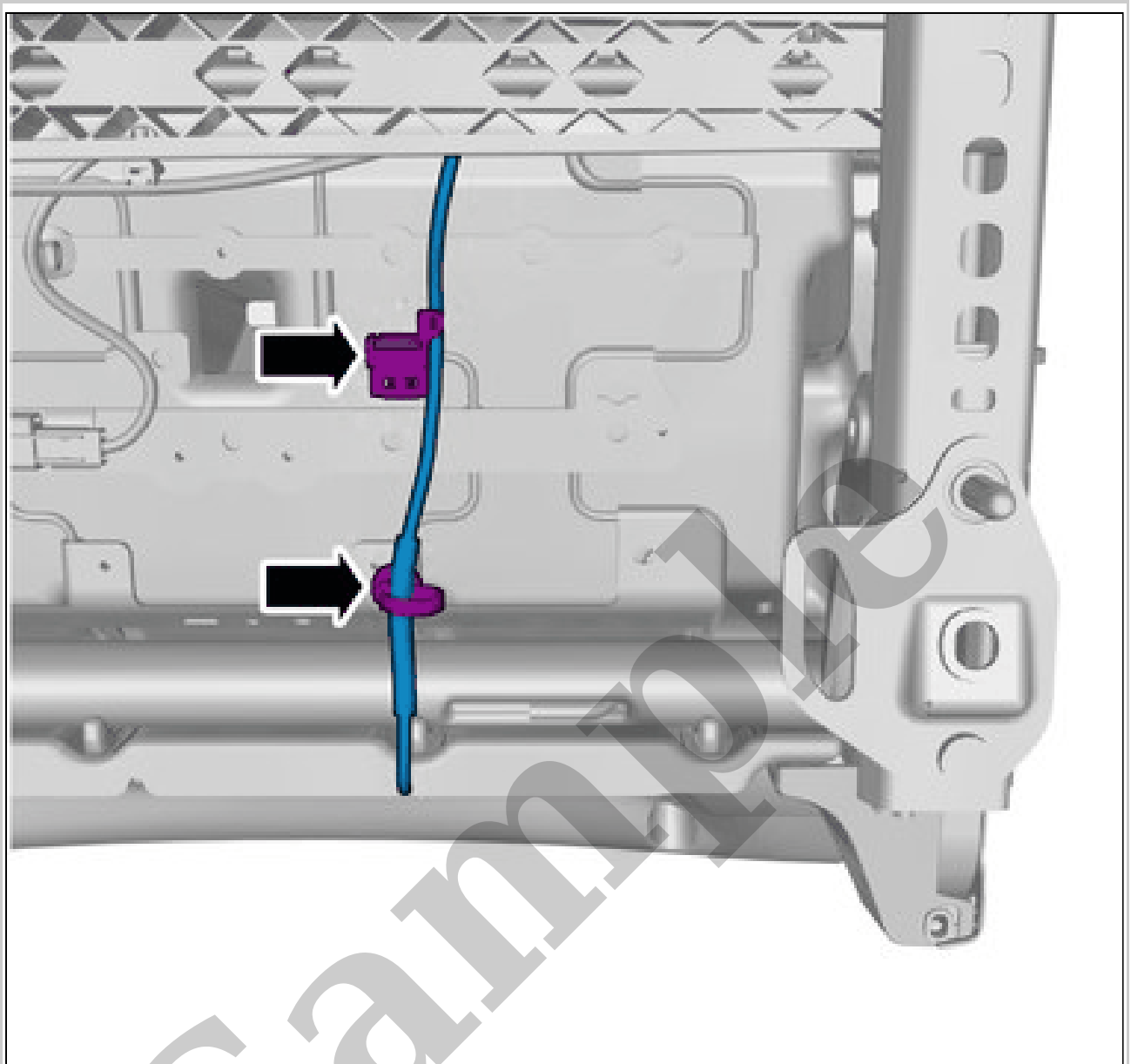


Your Ultimate Source for OEM Repair Manuals

FactoryManuals.net is a great resource for anyone who wants to save money on repairs by doing their own work. The manuals provide detailed instructions and diagrams that make it easy to understand how to fix a vehicle.

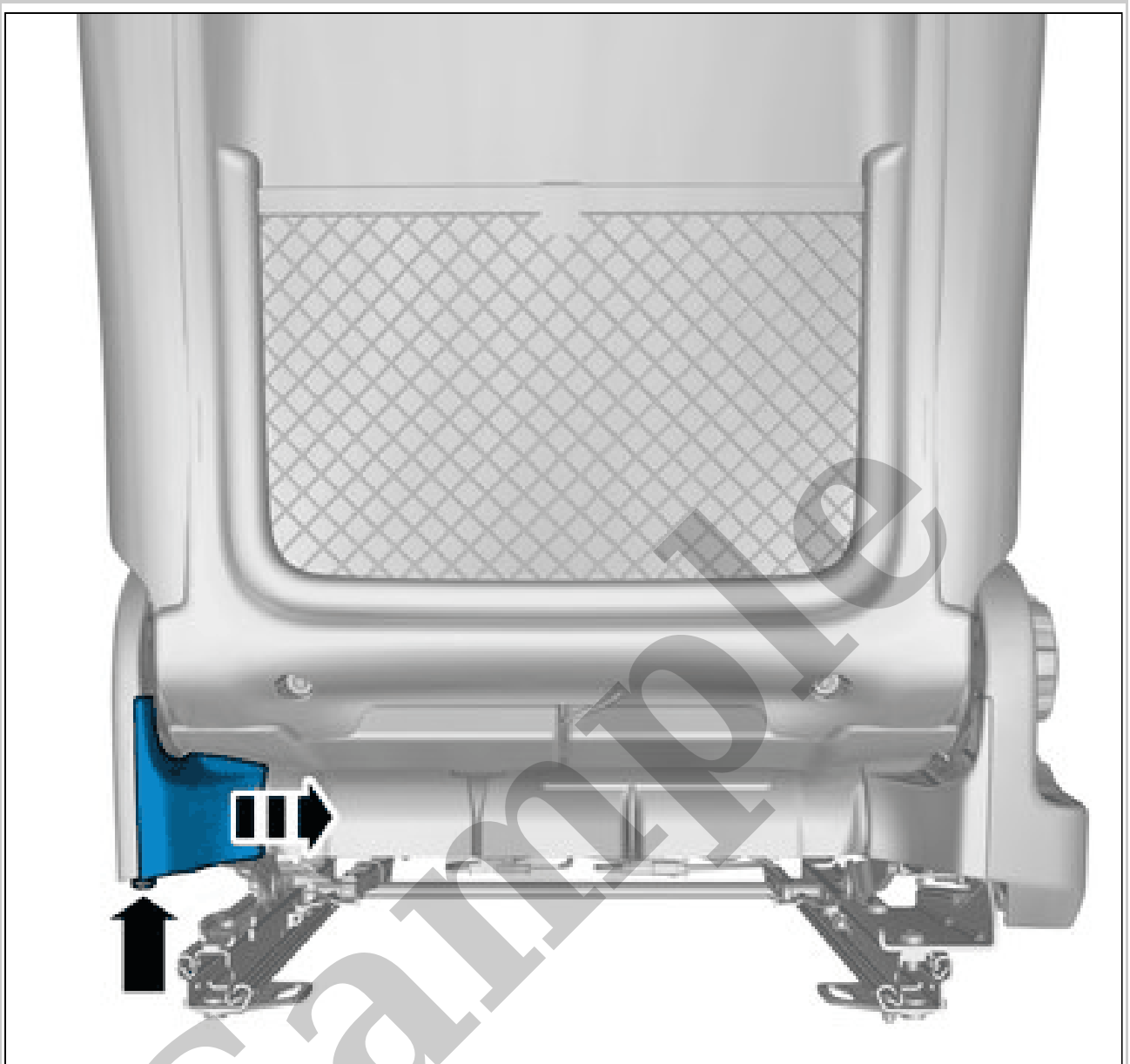
2018 Volvo V60 Cross Country Service and Repair Manual

[Go to manual page](#)



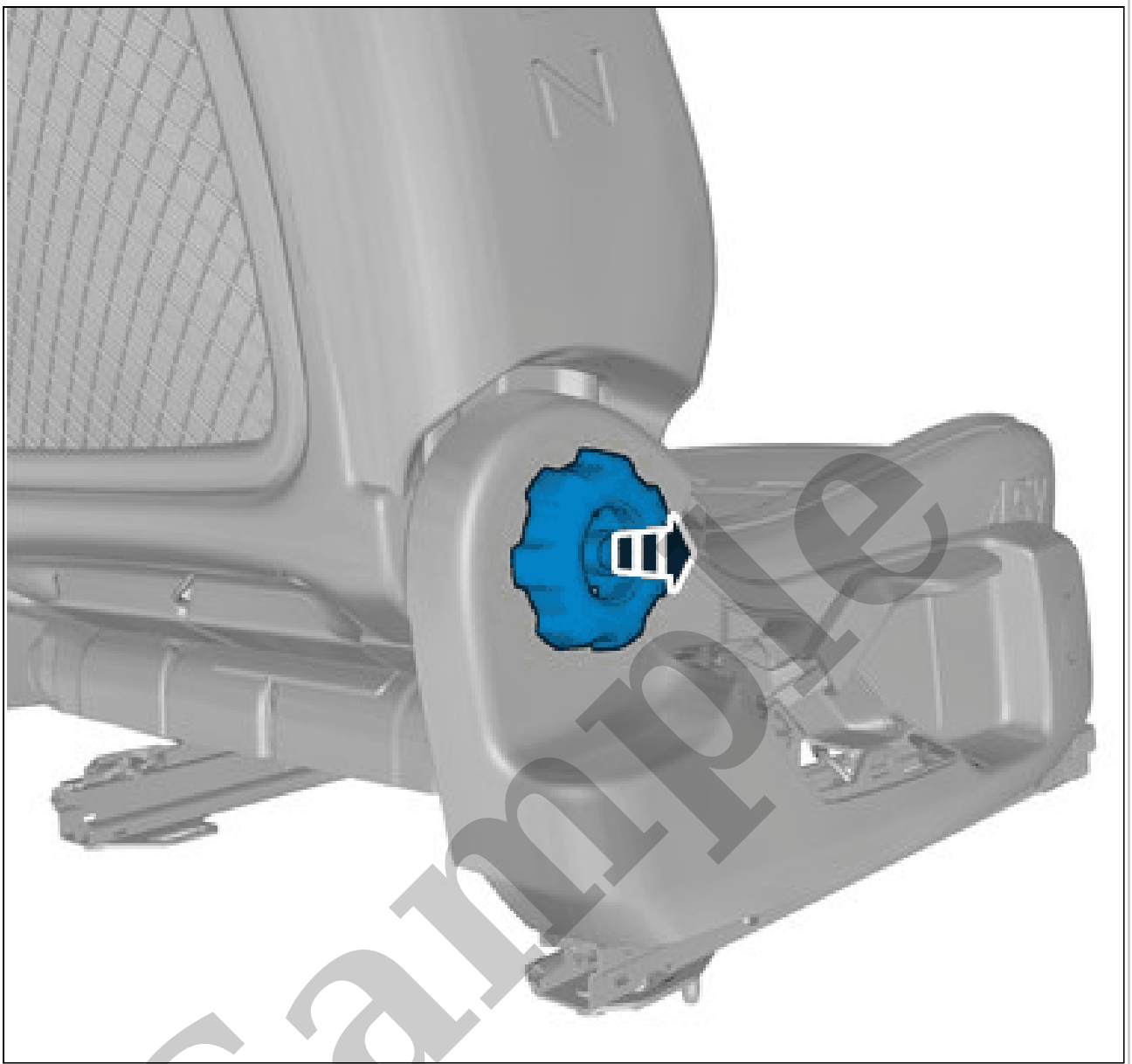
Courtesy of VOLVO CARS CORPORATION

Install the clip(s).



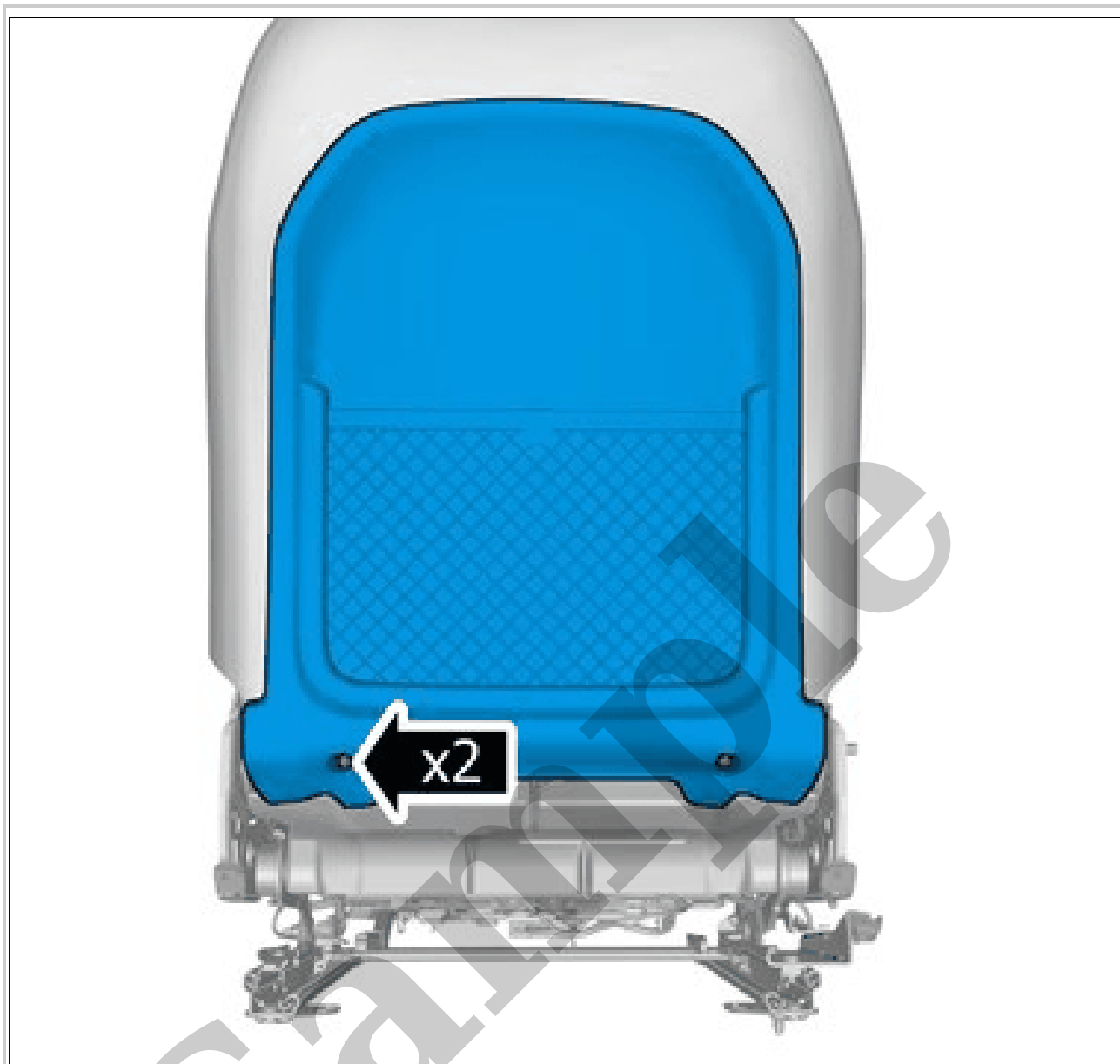
Courtesy of VOLVO CARS CORPORATION

Remove the clip.
Remove the marked part.



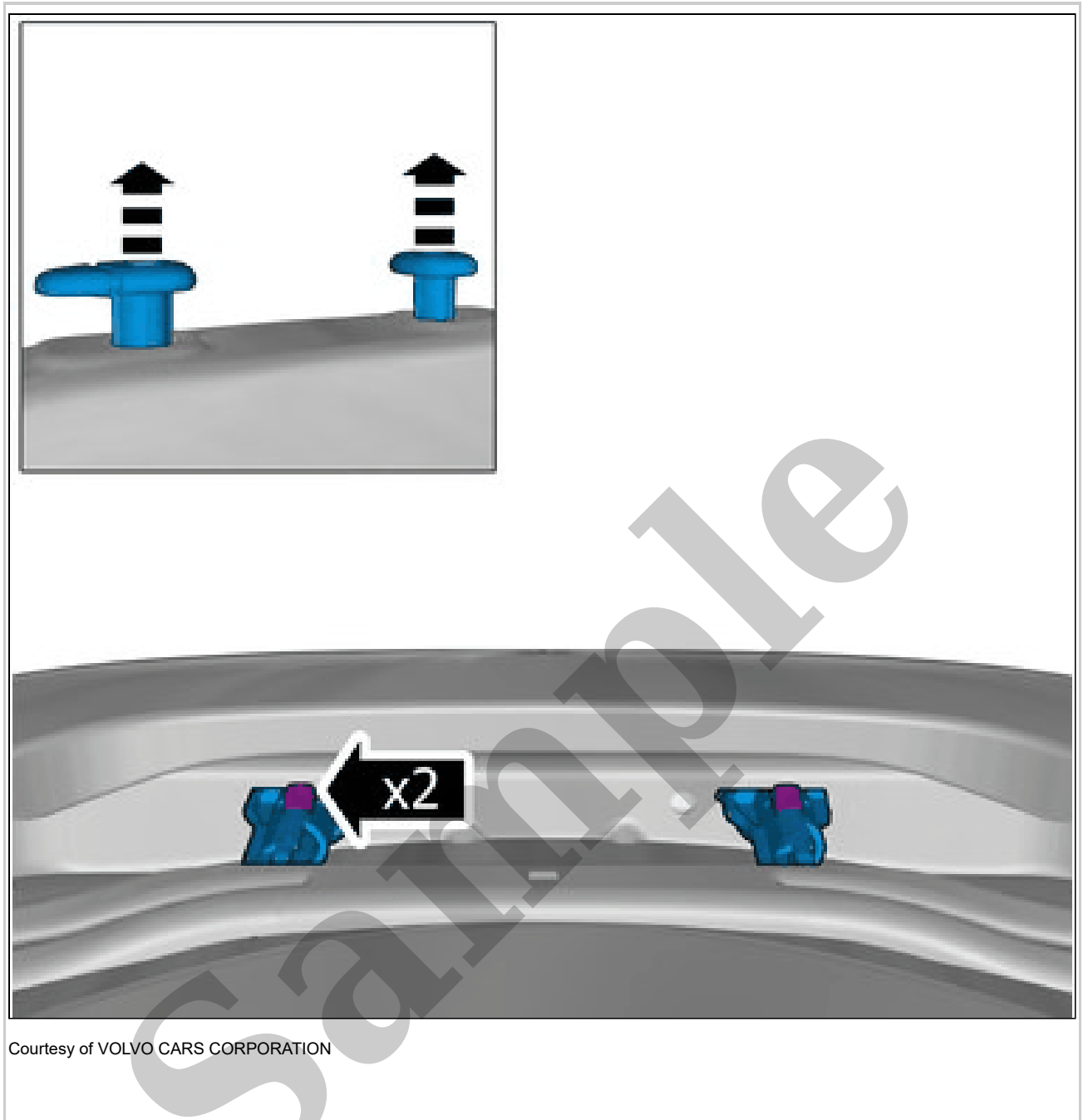
Courtesy of VOLVO CARS CORPORATION

Remove the marked part.
ALL VEHICLES



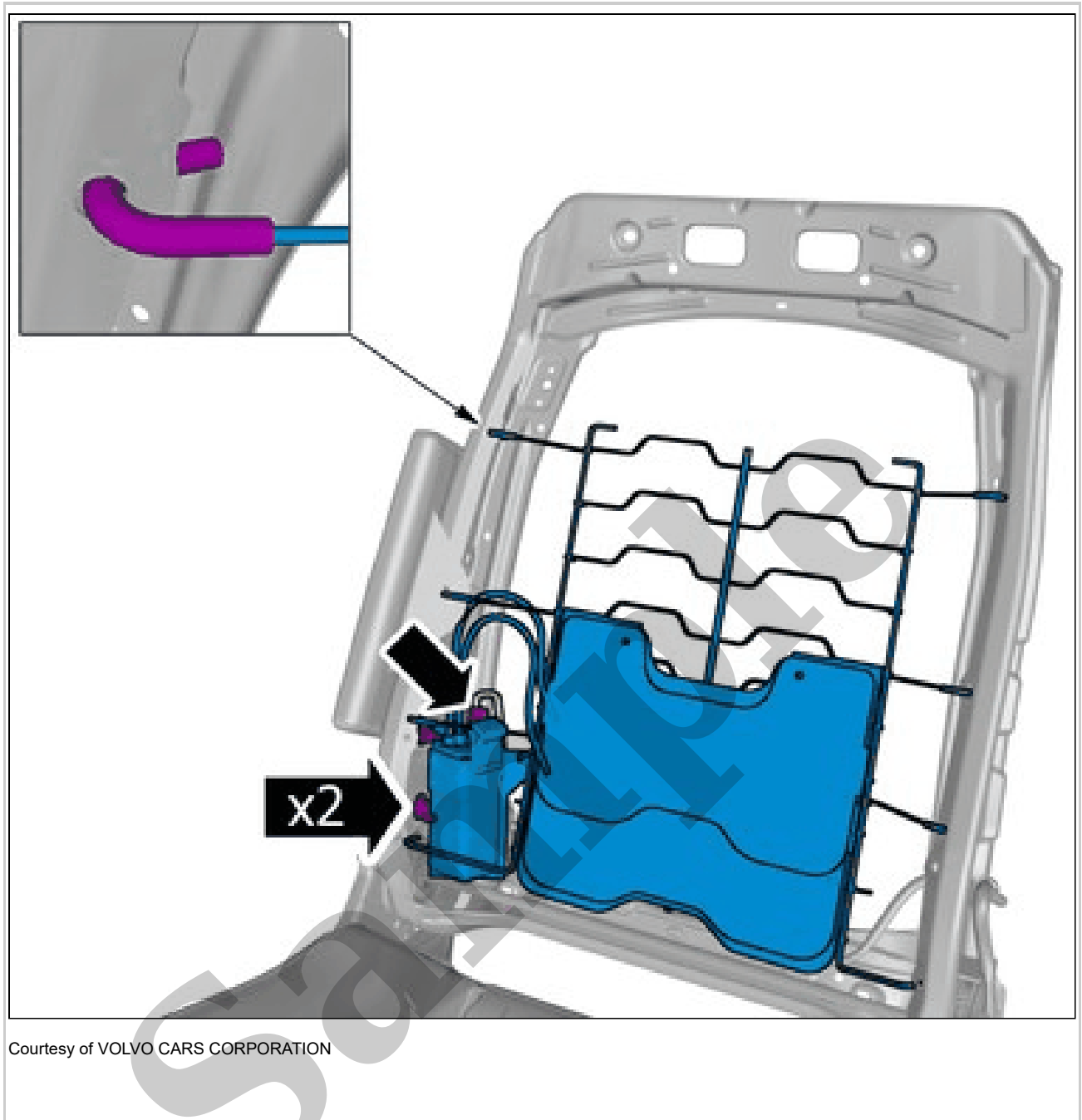
Courtesy of VOLVO CARS CORPORATION

Remove the screws.



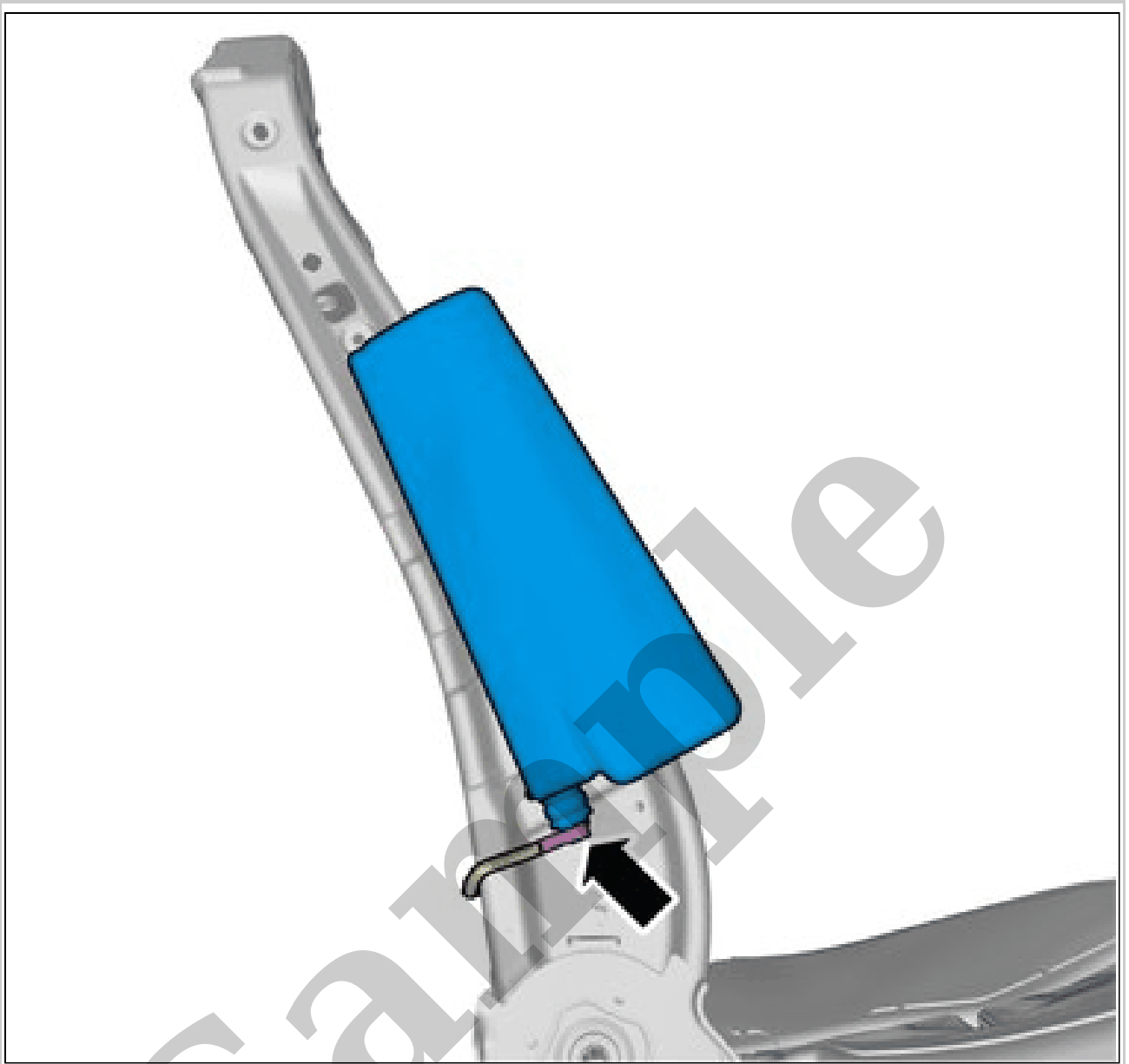
Courtesy of VOLVO CARS CORPORATION

Release the locks.
Remove the marked parts.
The part is not to be reused.



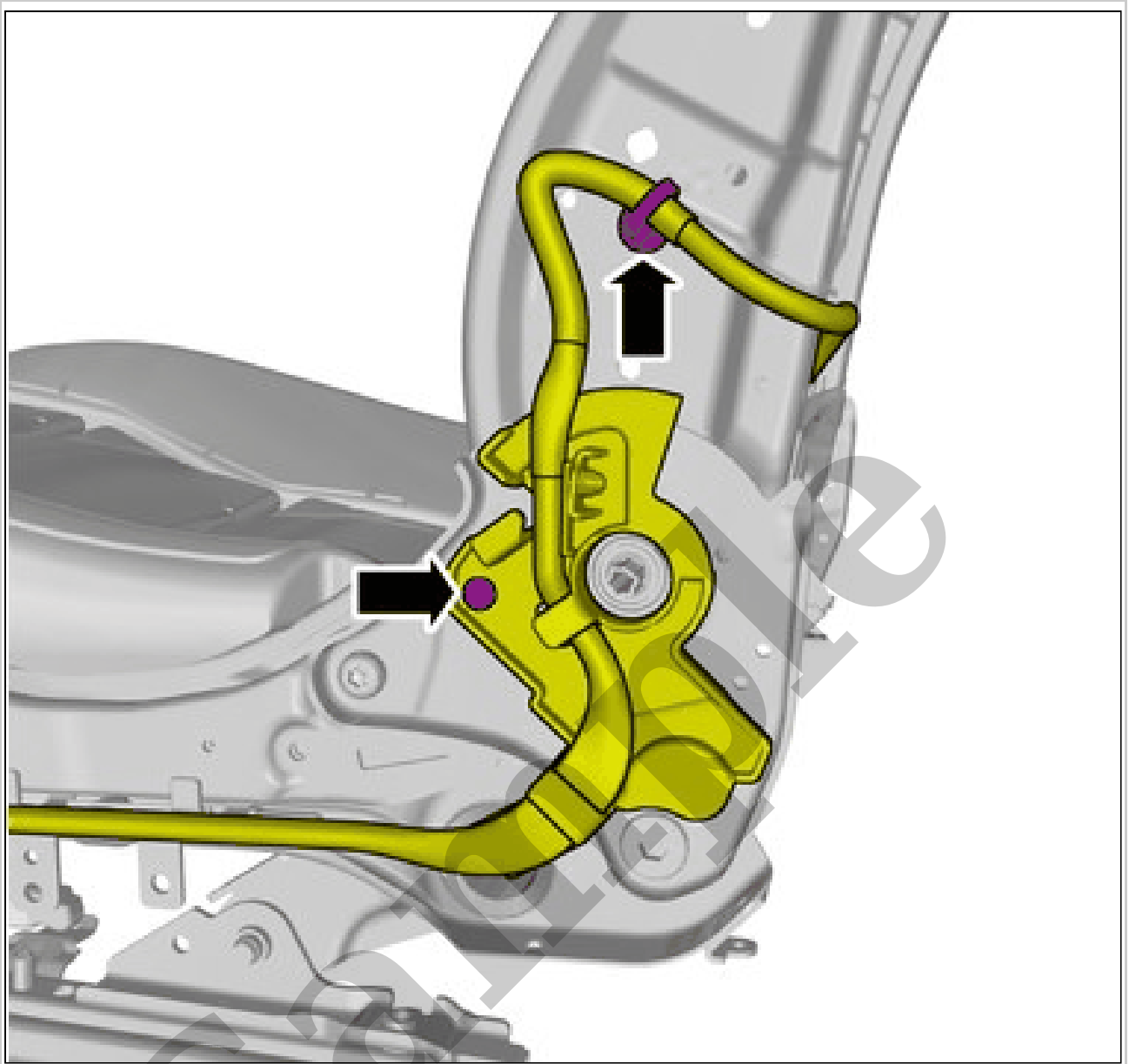
Disconnect the connector.
Loosen the clips.
Release the catches.
Remove the marked part.
The part is not to be reused.

VEHICLES WITH POWER SEATS



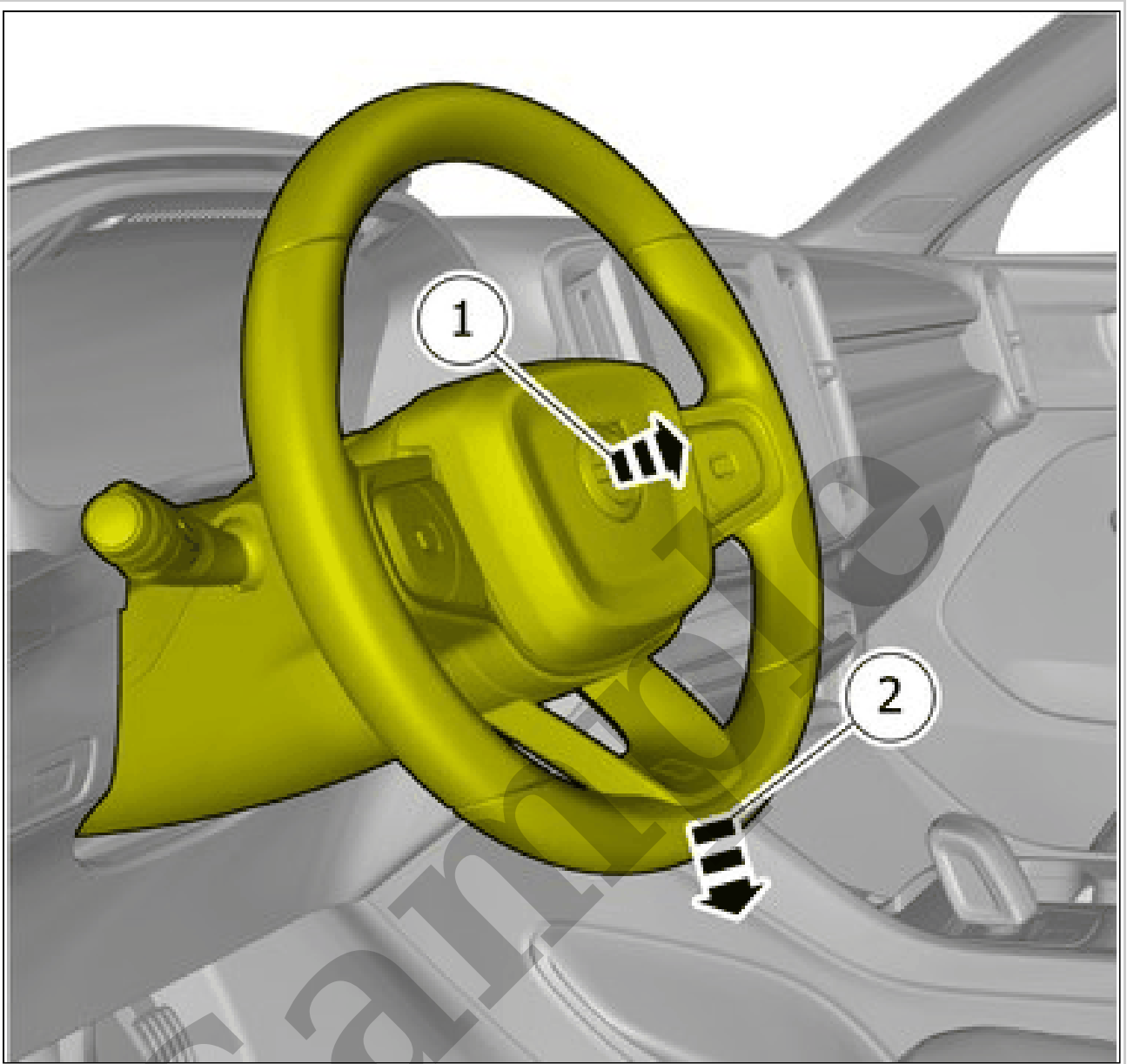
Courtesy of VOLVO CARS CORPORATION

Disconnect the connector.



Courtesy of VOLVO CARS CORPORATION

Remove the cable harness clips.
Remove the clip.
Loosen the wiring harness or move it to the side.
ON BOTH SIDES.



Courtesy of VOLVO CARS CORPORATION