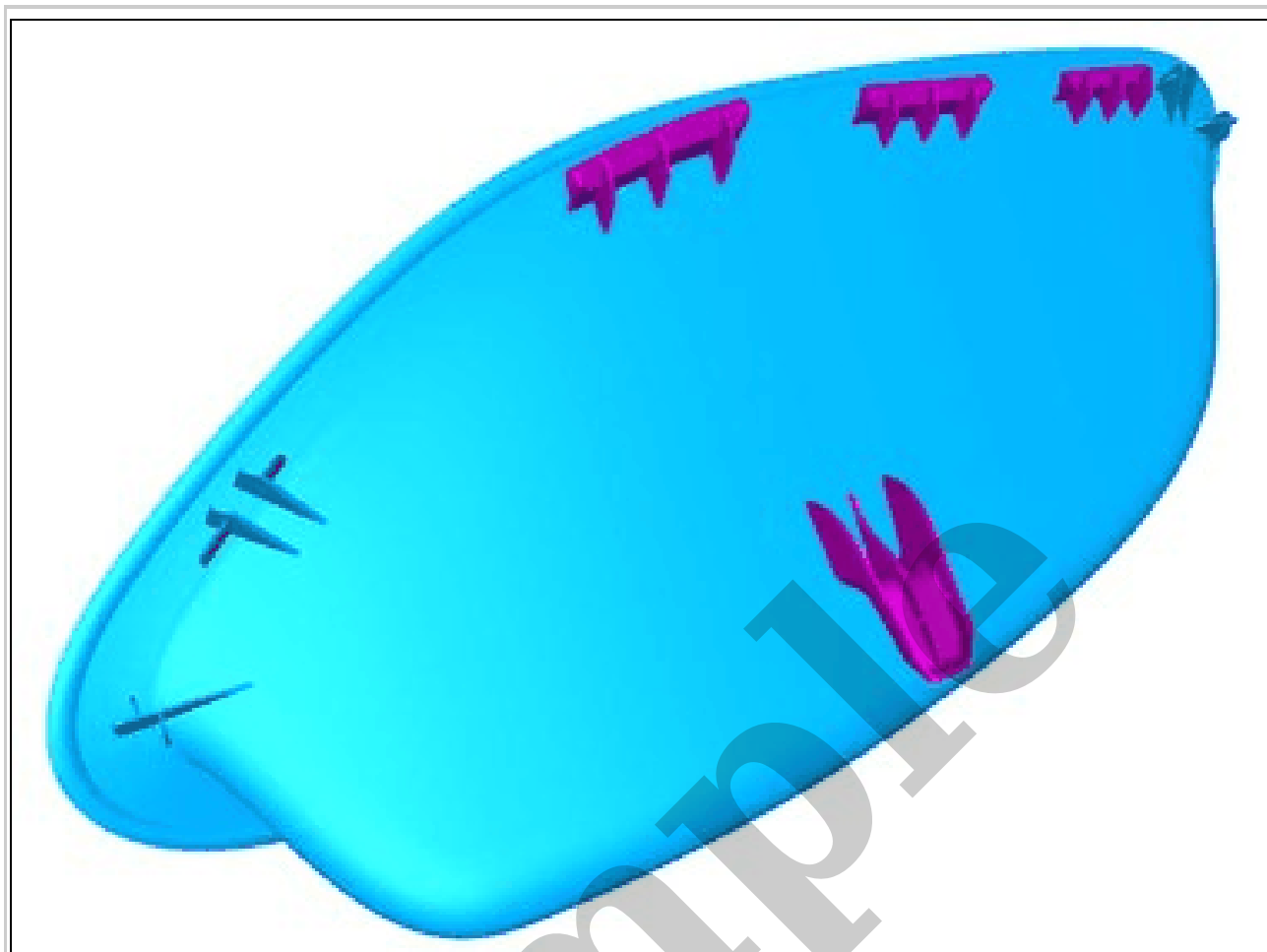


Your Ultimate Source for OEM Repair Manuals

FactoryManuals.net is a great resource for anyone who wants to save money on repairs by doing their own work. The manuals provide detailed instructions and diagrams that make it easy to understand how to fix a vehicle.

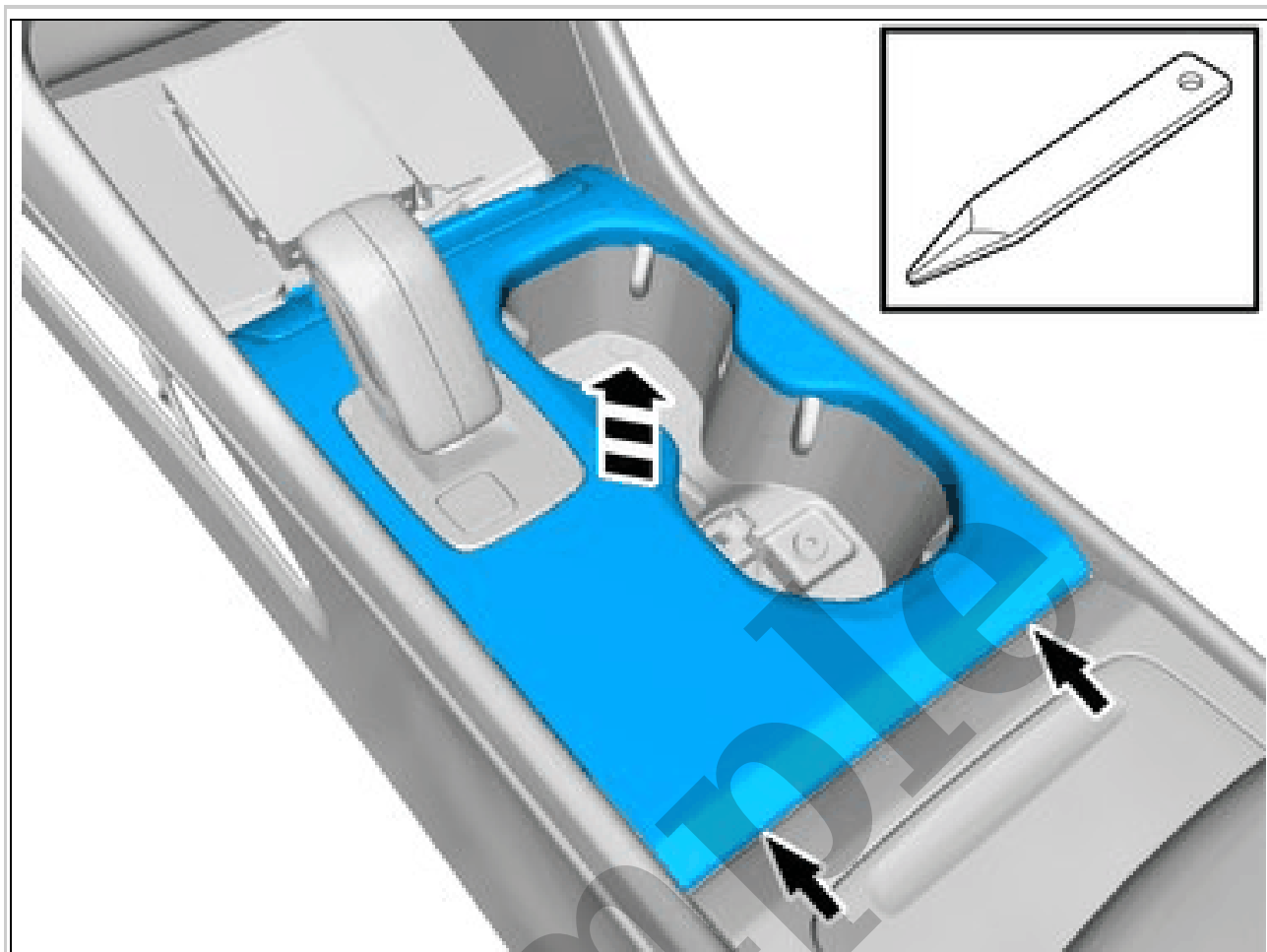
2018 VOLVO V40 Cross Country OEM Service and Repair Workshop Manual

[Go to manual page](#)



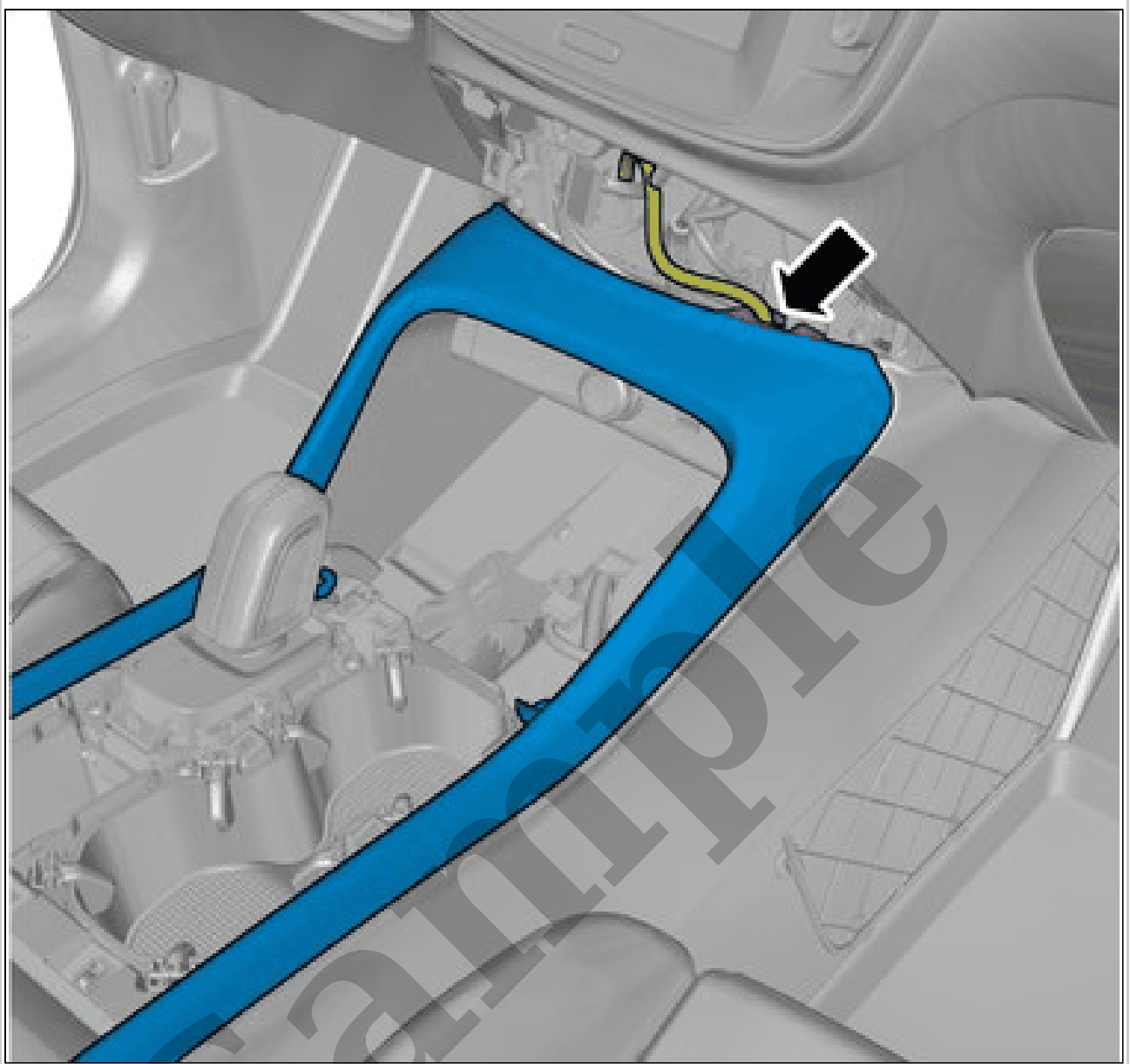
Courtesy of VOLVO CARS CORPORATION

NOTE: *The graphic shows the back of the component before removal.*



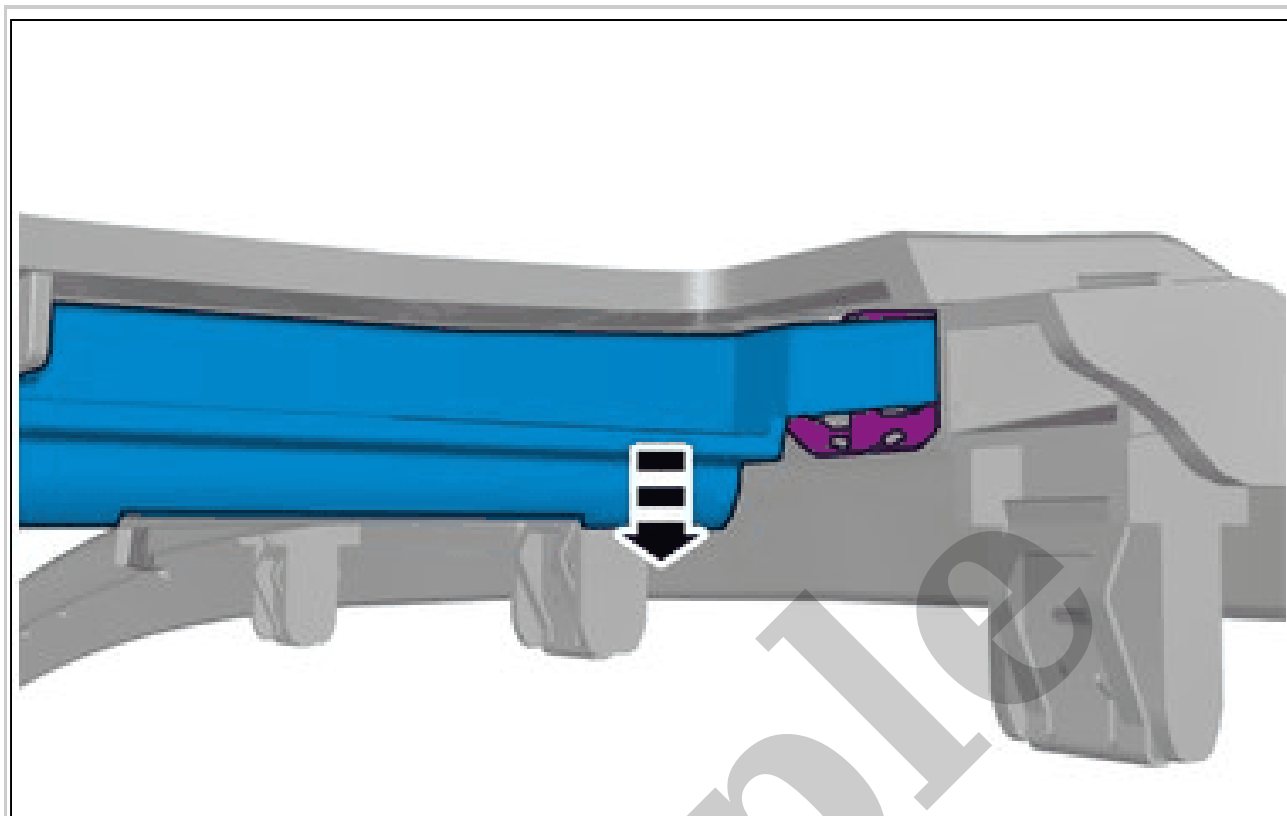
Courtesy of VOLVO CARS CORPORATION

Remove the marked part.
Use: Interior trim remover



Courtesy of VOLVO CARS CORPORATION

Loosen the wiring harness or move it to the side.



Courtesy of VOLVO CARS CORPORATION

Remove the marked part.

INSTALLATION

To install, reverse the removal procedure.

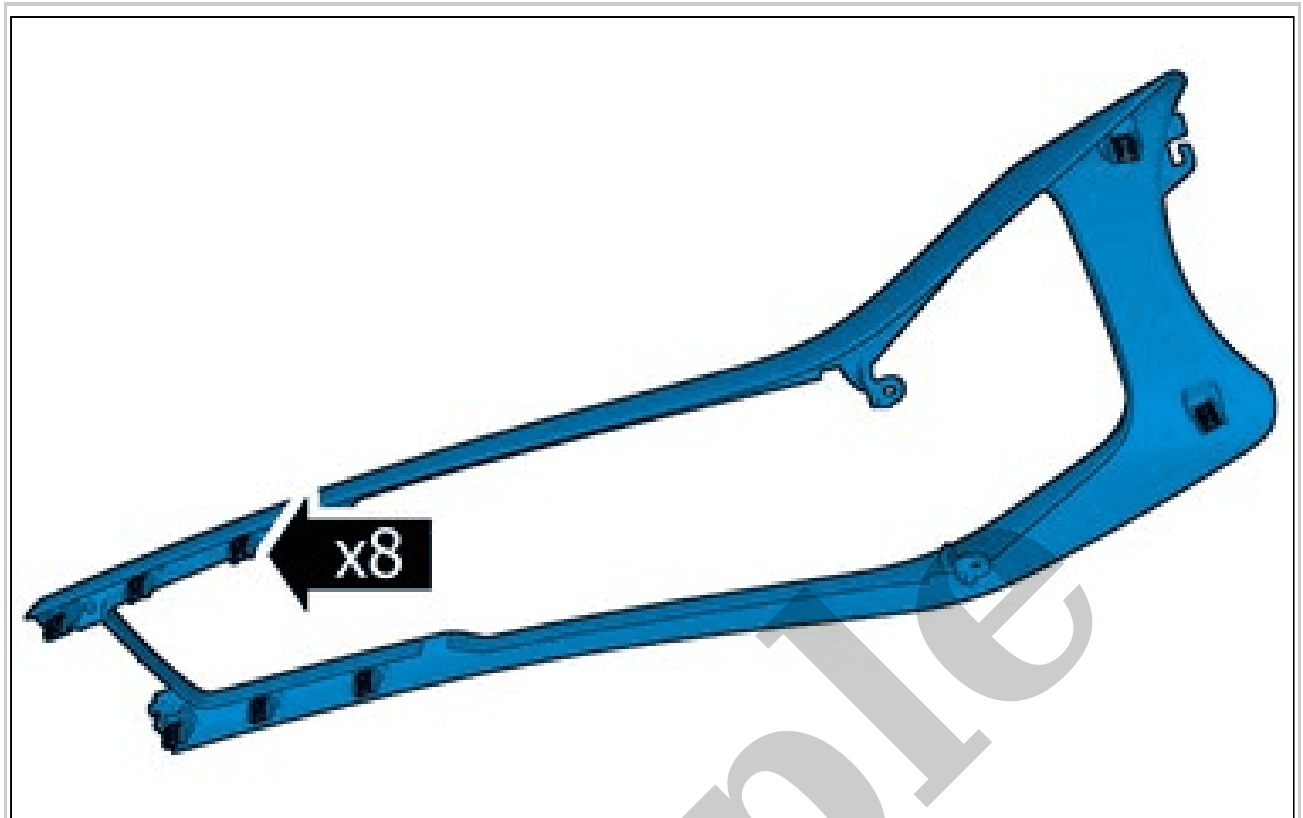
FLOOR CONSOLE FRAME > FLOOR CONSOLE FRAME [2018-2022 | 2019-2021, B4204T18; B4204T47] > REMOVAL AND INSTALLATION

REMOVAL

Remove Centre Console Switch Module CCSM. Refer to: CENTER CONSOLE SWITCH MODULE CCSM

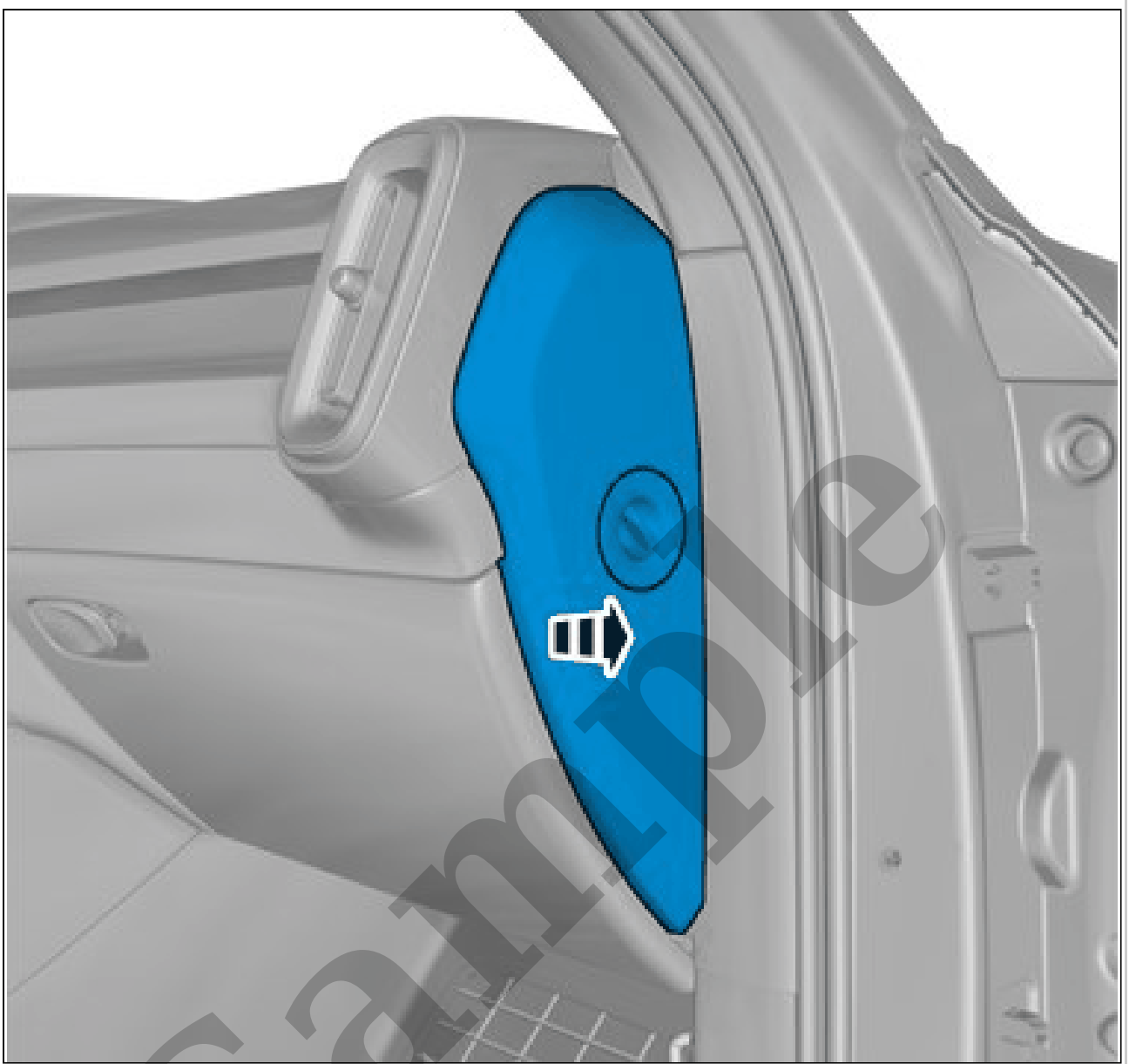
Remove trim panel front, floor console. Refer to: DECOR PANEL FRONT, FLOOR CONSOLE

Remove rear panel, floor console. Refer to: REAR PANEL, FLOOR CONSOLE



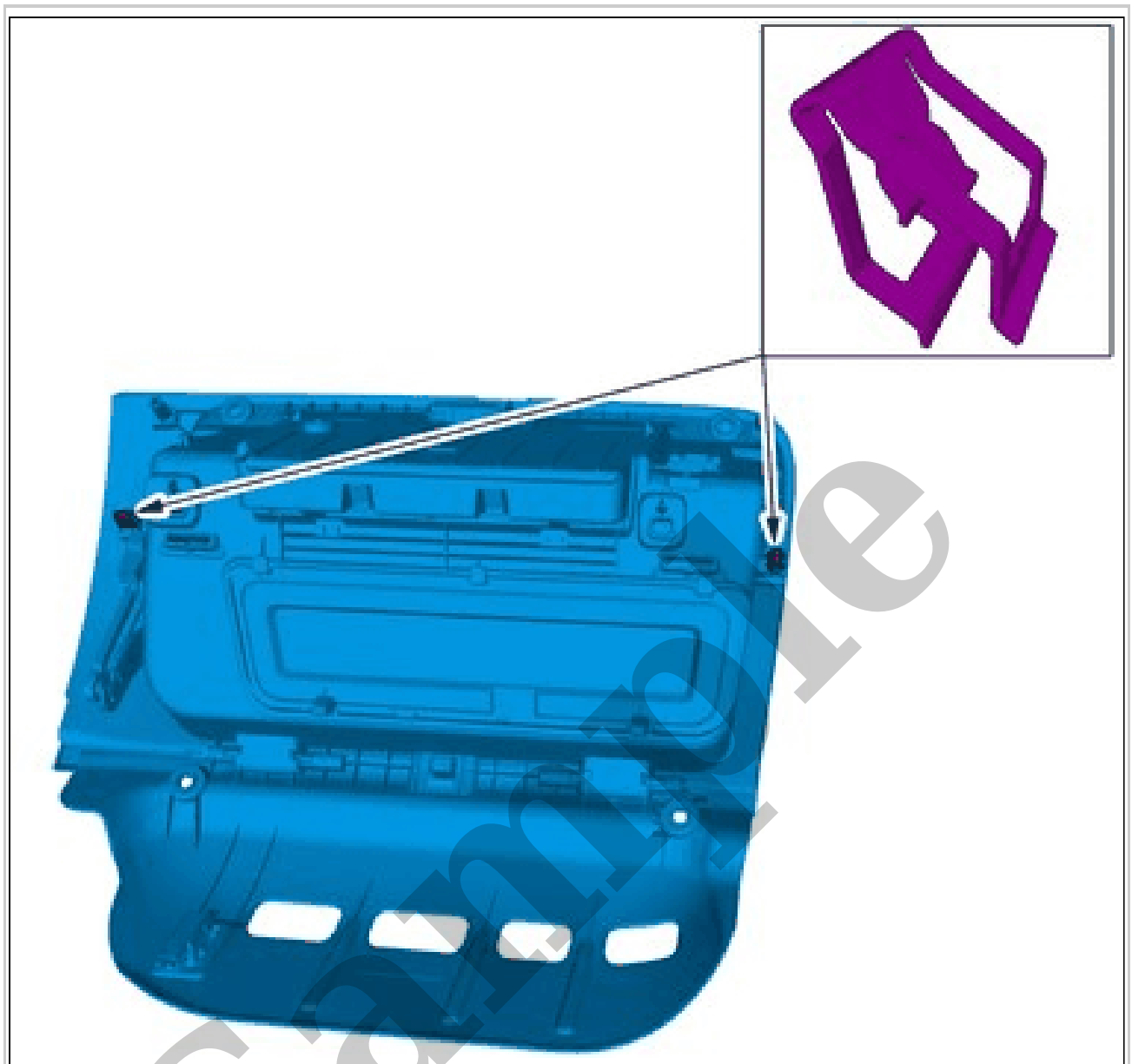
Courtesy of VOLVO CARS CORPORATION

NOTE: *The graphic shows the back of the component before removal.*



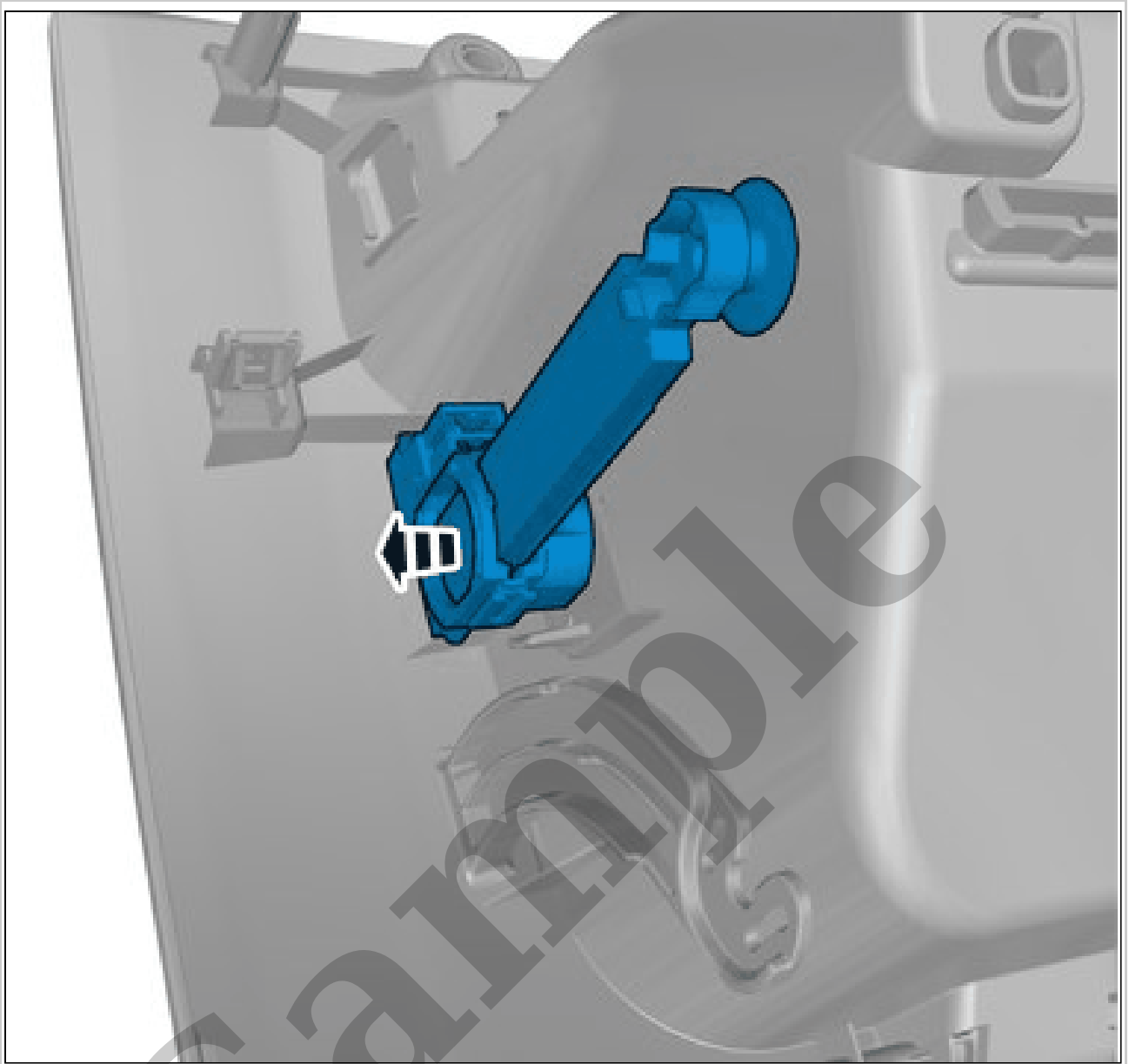
Courtesy of VOLVO CARS CORPORATION

Loosen the marked detail.



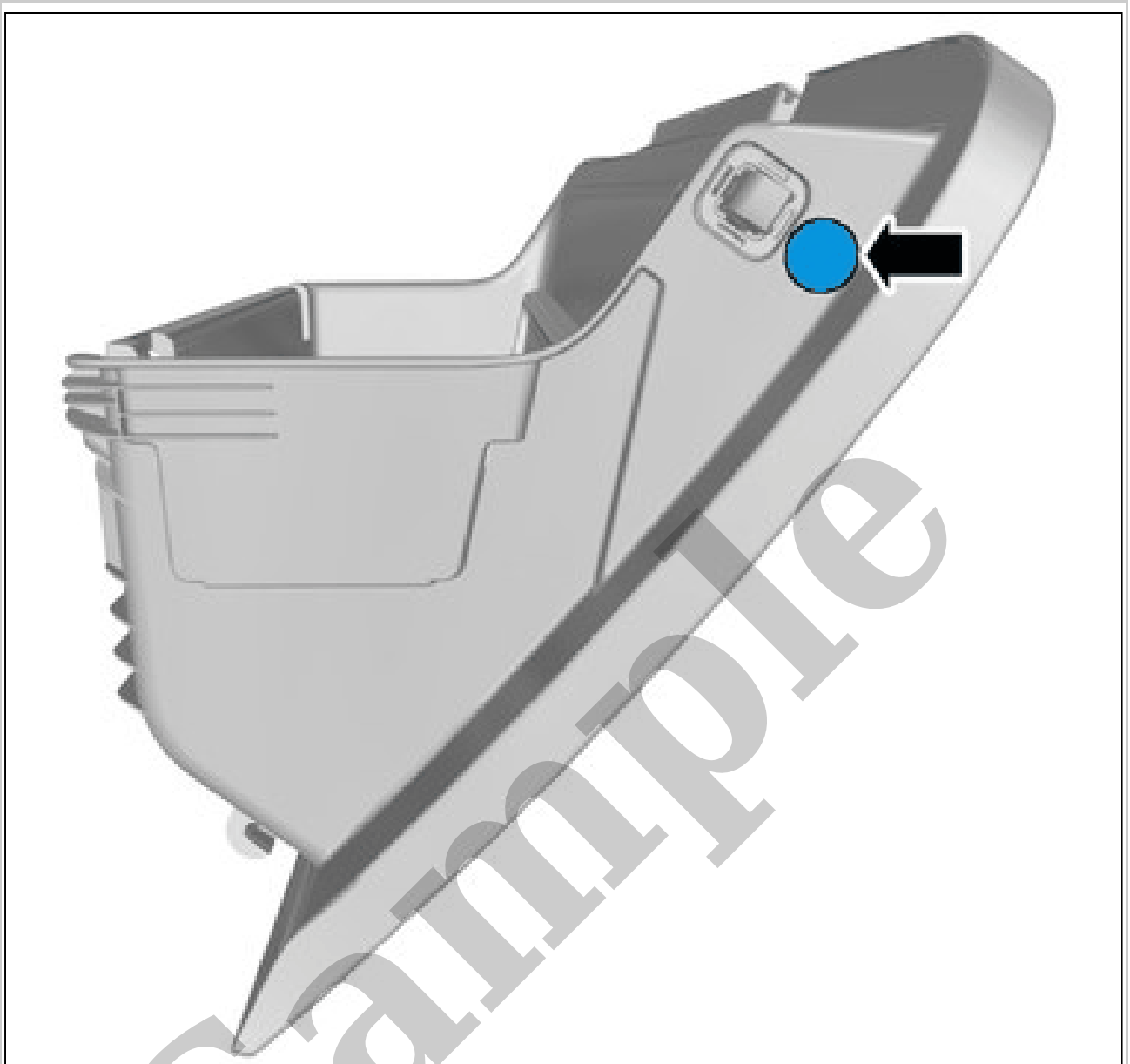
Courtesy of VOLVO CARS CORPORATION

NOTE: *The graphic shows the back of the component before removal.*



Courtesy of VOLVO CARS CORPORATION

Remove the marked part.



Courtesy of VOLVO CARS CORPORATION

Remove the marked part.