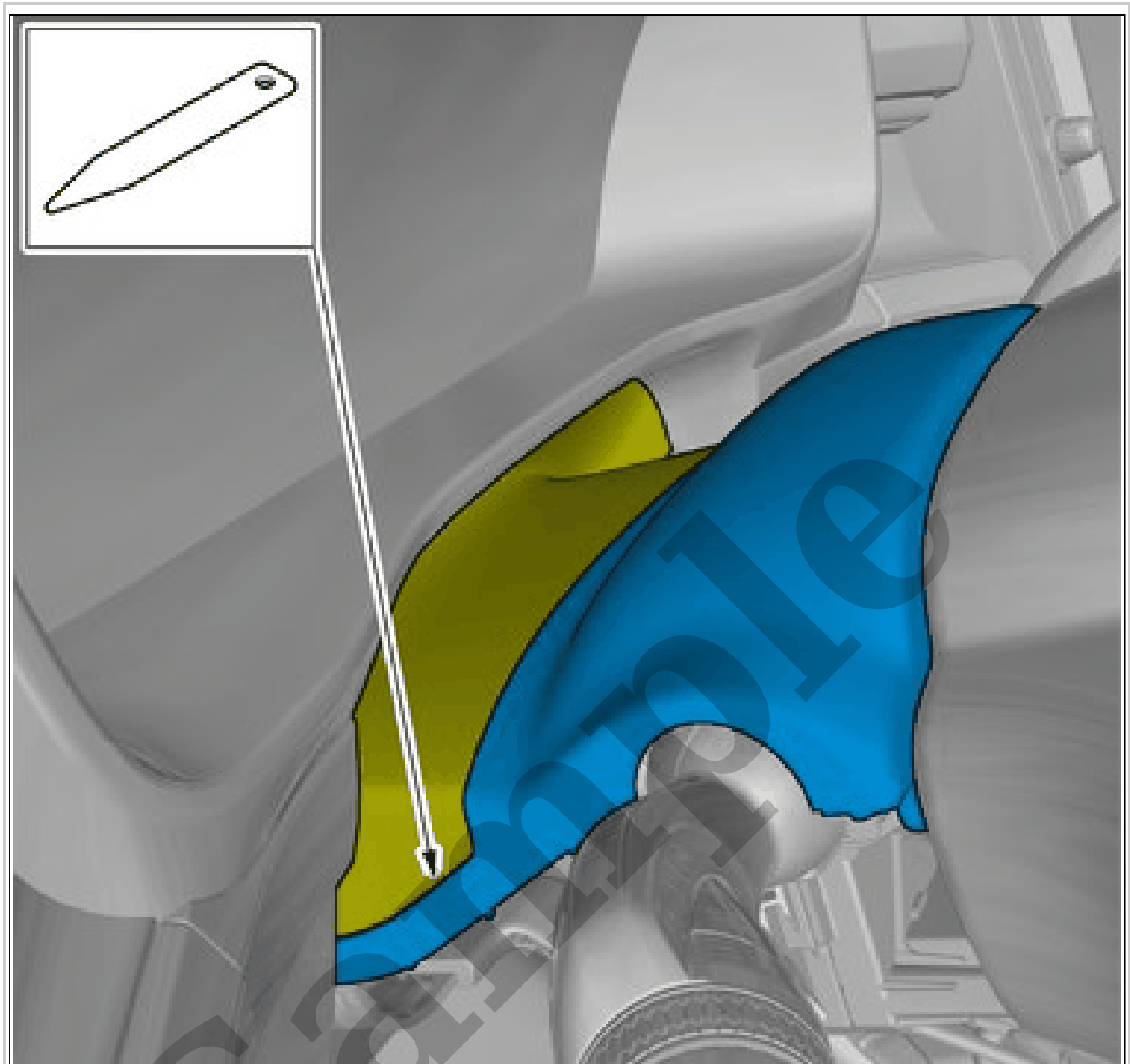


# Your Ultimate Source for OEM Repair Manuals

FactoryManuals.net is a great resource for anyone who wants to save money on repairs by doing their own work. The manuals provide detailed instructions and diagrams that make it easy to understand how to fix a vehicle.

## Volvo S90 2018 Manual - Complete Service & Repair

[Go to manual page](#)



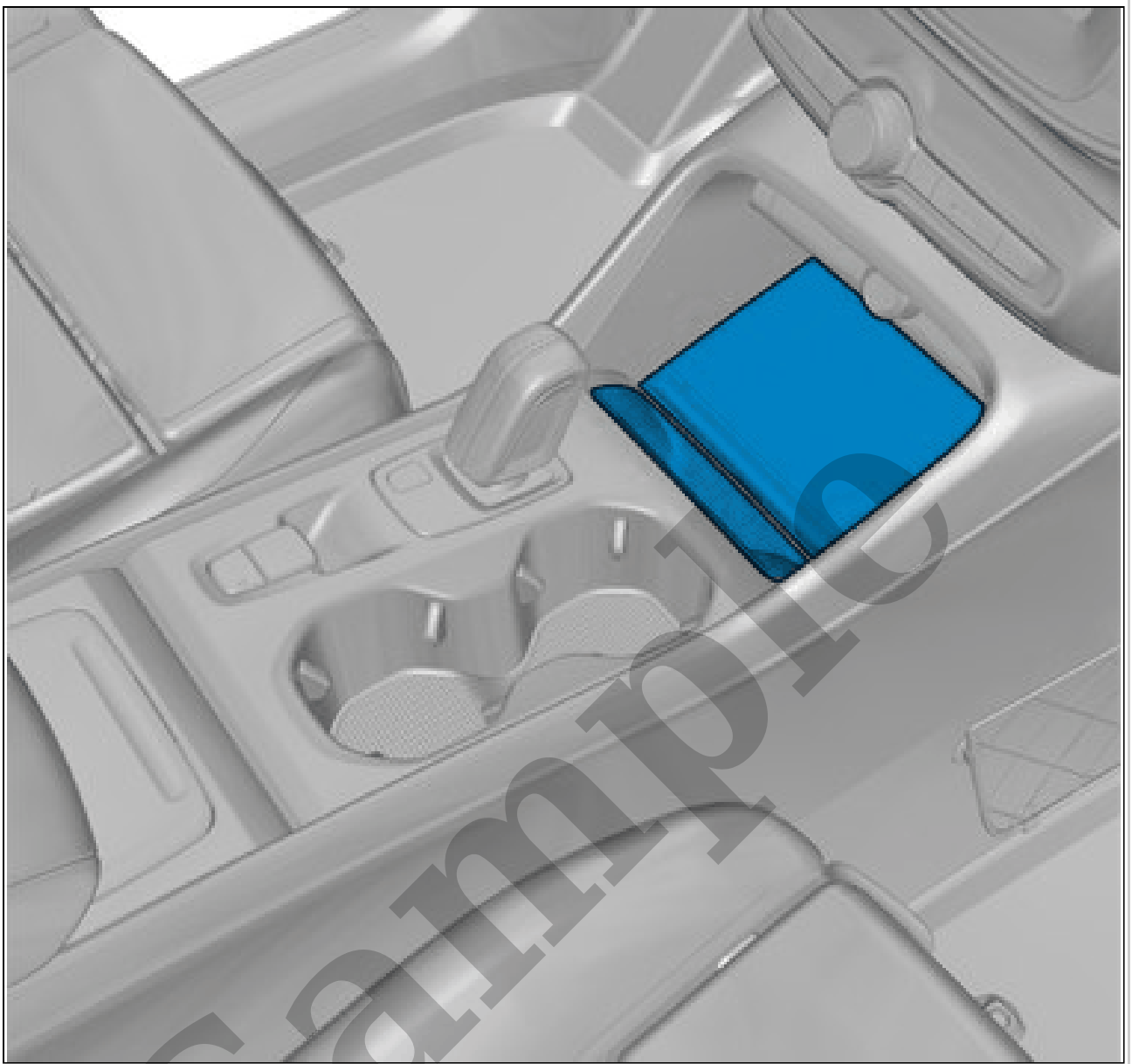
Courtesy of VOLVO CARS CORPORATION

Remove the part carefully  
Remove the marked part.

## **PANEL STEERING COLUMN > PANEL STEERING COLUMN [2018-2022] > INSTALLATION**

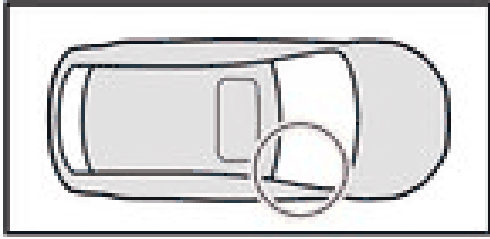
To install, reverse the removal procedure.  
Reset the vehicle settings after completed test or work.

## **DECOR PANEL FRONT, FLOOR CONSOLE > DECOR PANEL FRONT, FLOOR CONSOLE [2021-2022, 1EDT AWD] > REMOVAL AND INSTALLATION**



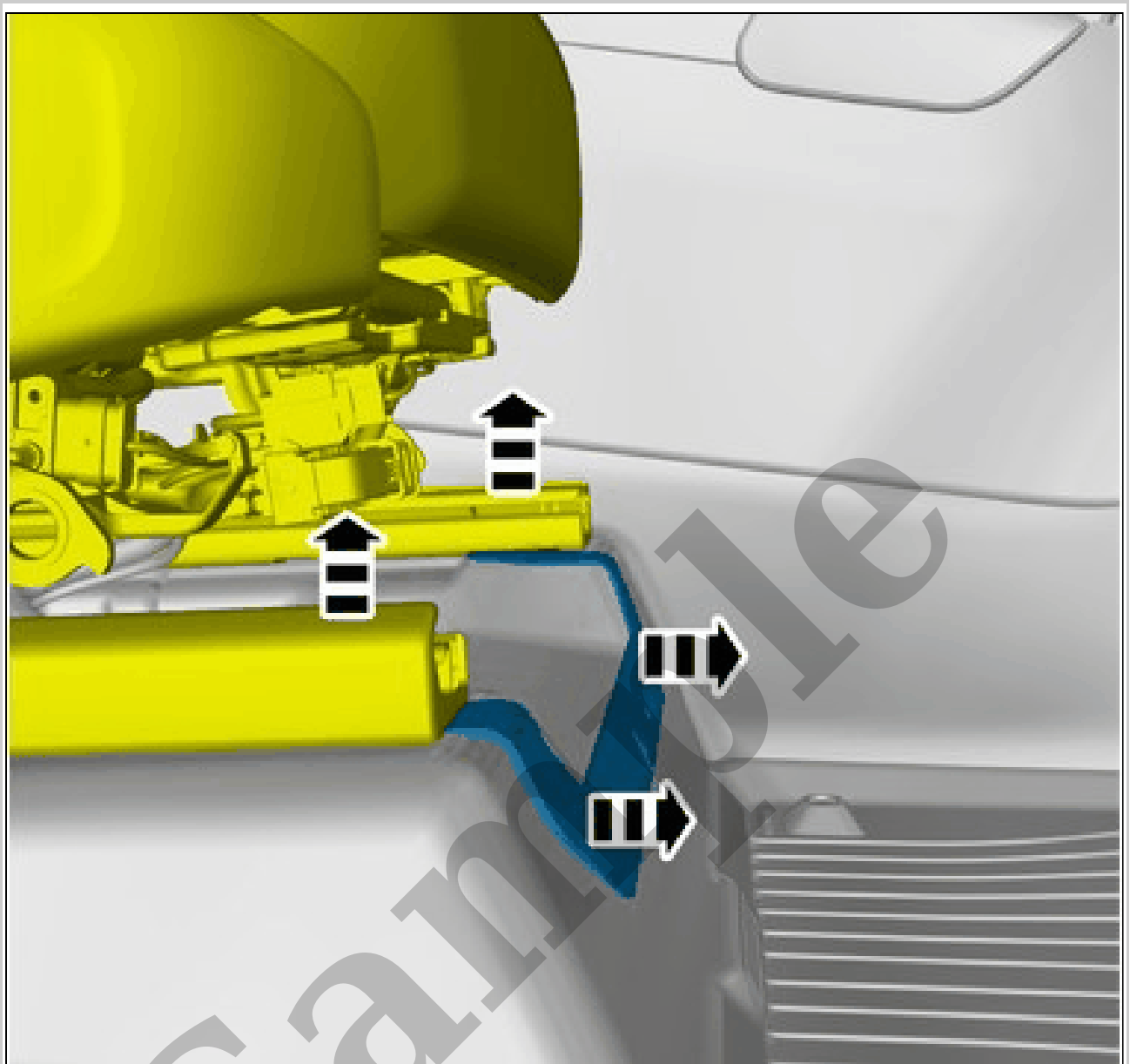
Courtesy of VOLVO CARS CORPORATION

Remove the marked detail/details.



Courtesy of VOLVO CARS CORPORATION

**NOTE:** *Orientation view*



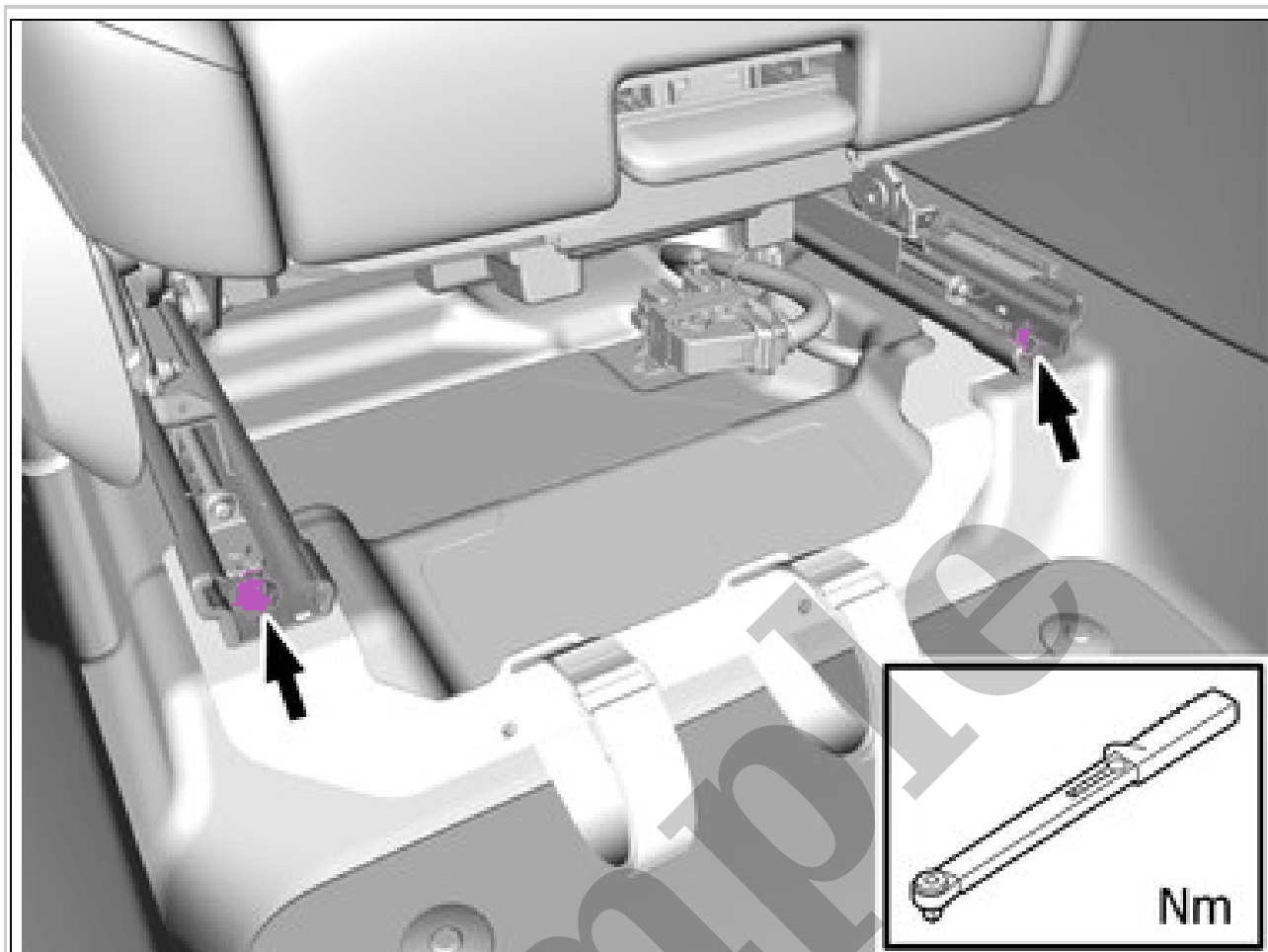
Courtesy of VOLVO CARS CORPORATION

Lift the marked component up  
Remove the marked part.

### **FIRE EXTINGUISHER > FIRE EXTINGUISHER [2018-2022] > INSTALLATION**

To install, reverse the removal procedure.

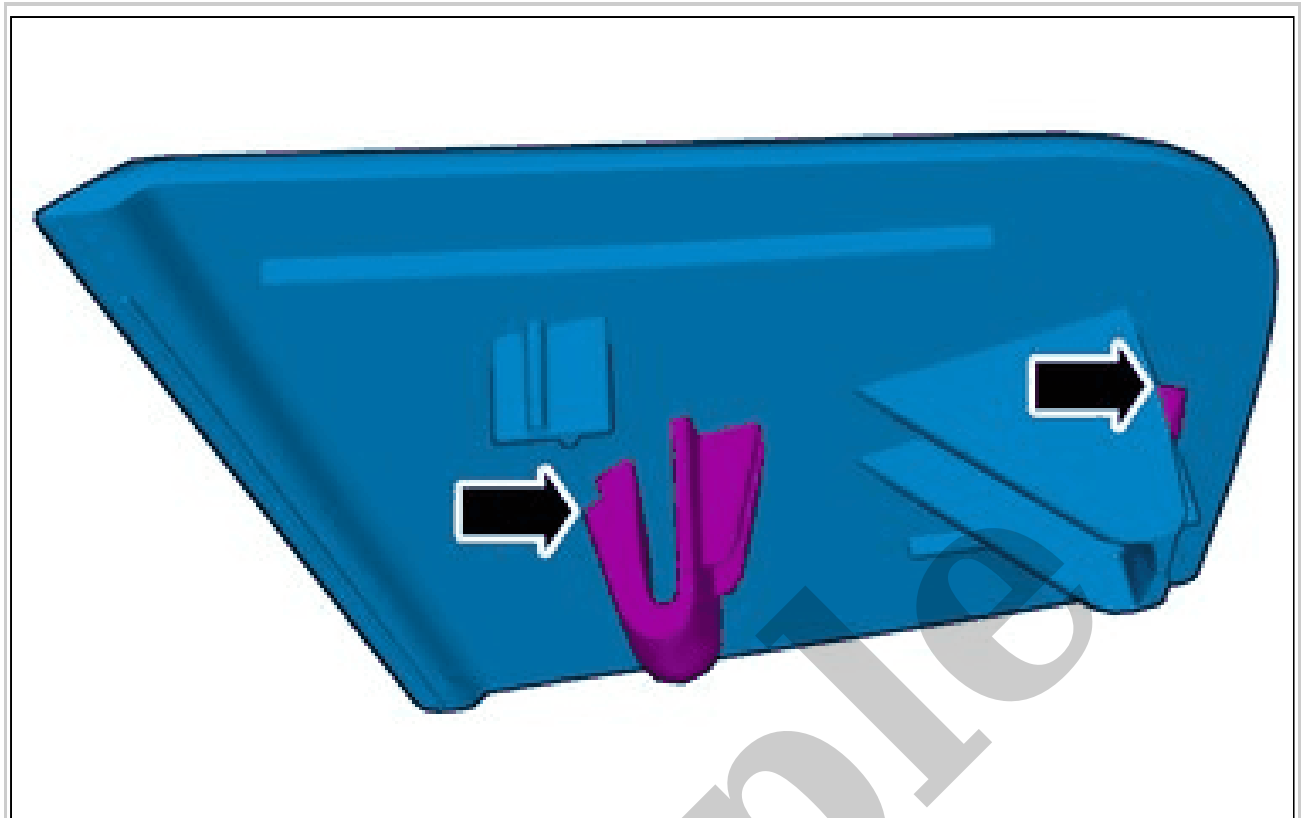
### **FIRE EXTINGUISHER, INSTALLATION > FIRE EXTINGUISHER, INSTALLATION [2021-2022, E400V6] > INSTALLATION**



Courtesy of VOLVO CARS CORPORATION

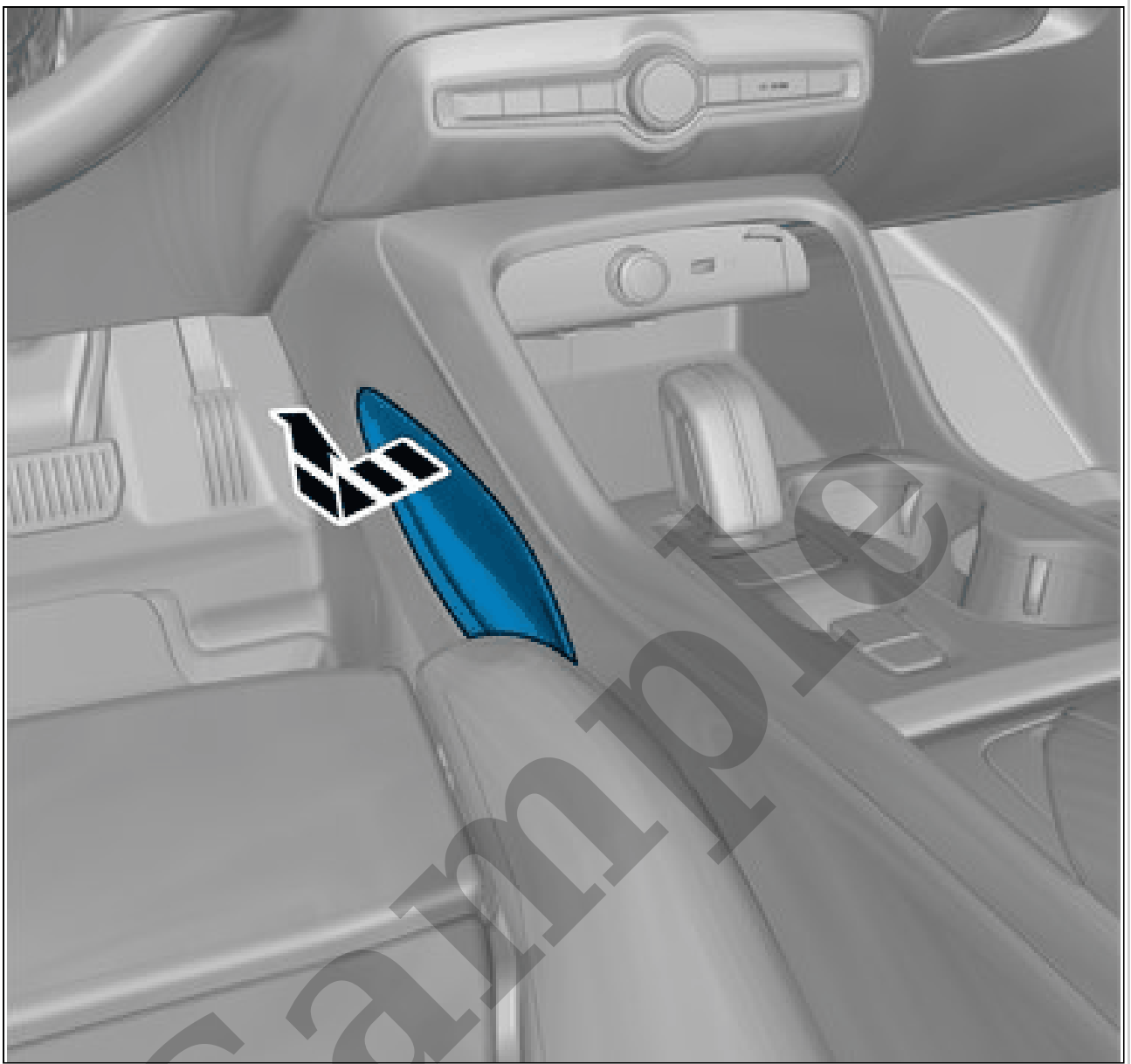
Install the screws.

**Torque:** Front seat to body, 40Nm



Courtesy of VOLVO CARS CORPORATION

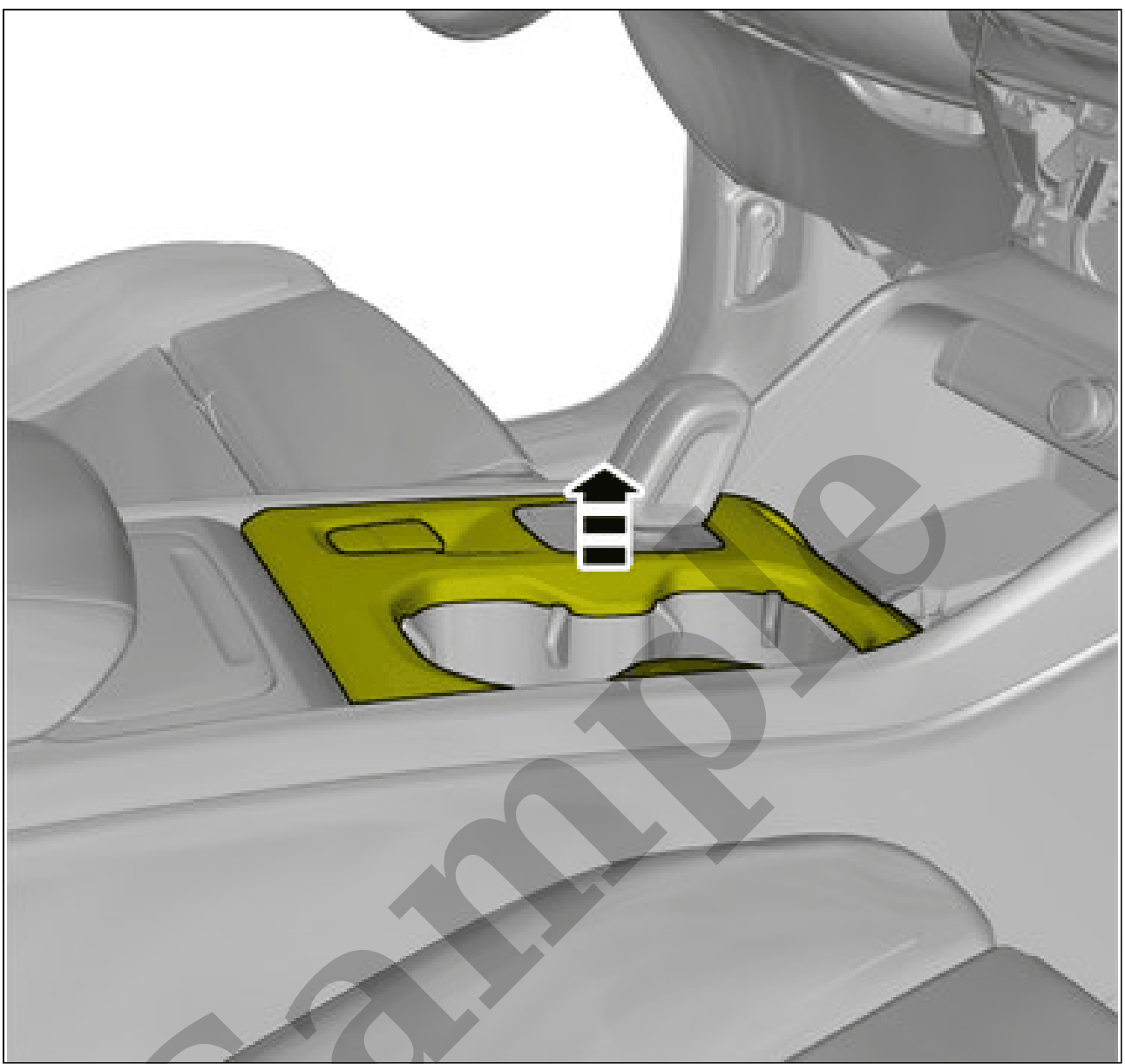
**NOTE:** *The graphic shows the back of the component before removal.*



Courtesy of VOLVO CARS CORPORATION

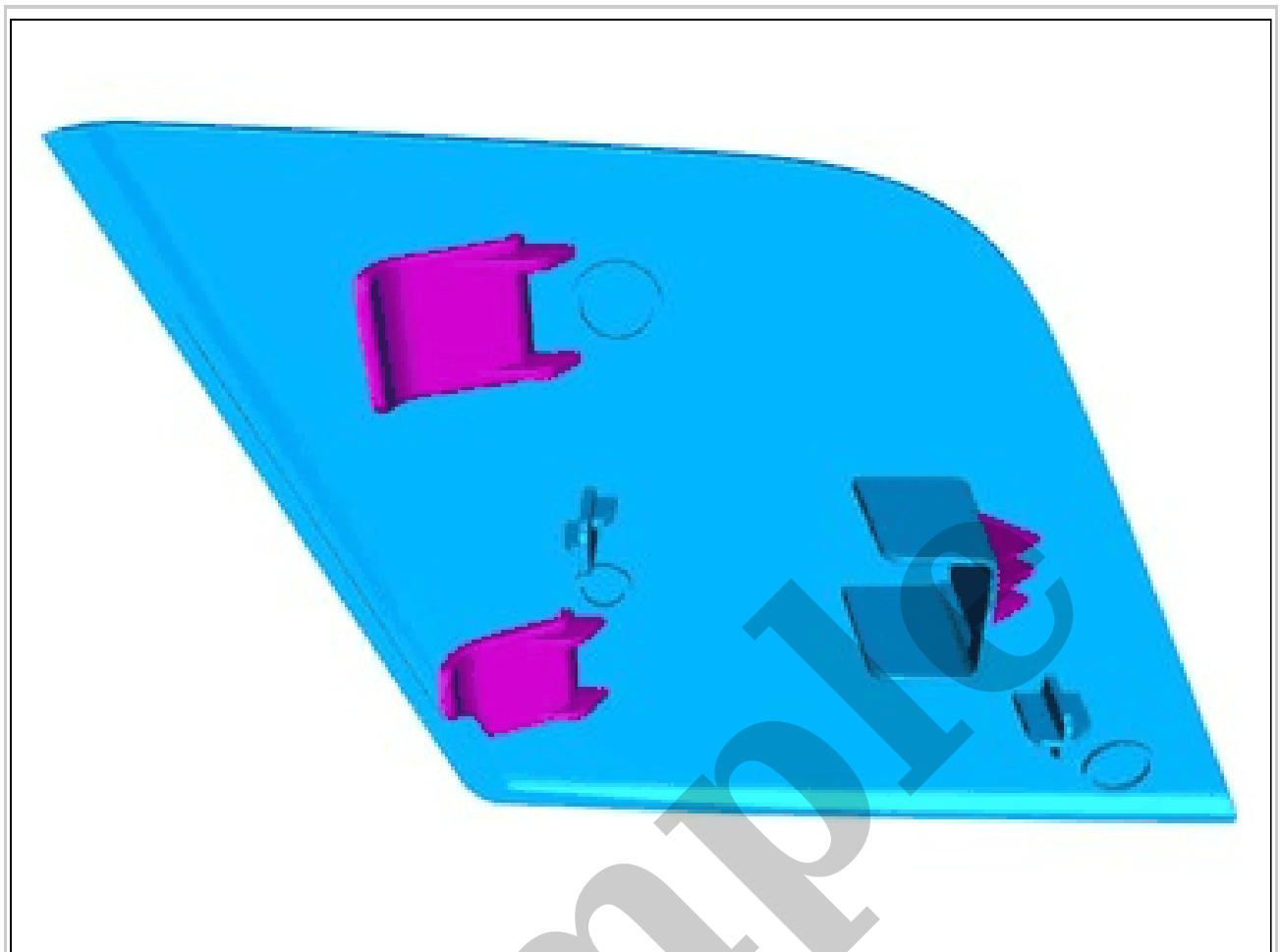
Remove the marked part.  
**Use:** Interior trim remover





Courtesy of VOLVO CARS CORPORATION

Loosen the marked detail.  
**Use:** Interior trim remover



Courtesy of VOLVO CARS CORPORATION

**NOTE:** *The graphic shows the back of the component before removal.*