

# Your Ultimate Source for OEM Repair Manuals

FactoryManuals.net is a great resource for anyone who wants to save money on repairs by doing their own work. The manuals provide detailed instructions and diagrams that make it easy to understand how to fix a vehicle.

## 2018 Nissan Sentra Service and Repair Manual

[Go to manual page](#)

## 1. CHECK DTC PRIORITY

---

If DTC "U2165-57" is displayed with DTC "U1327-52" or DTC "U1327-54", first perform the trouble diagnosis for DTC "U1327-52" or DTC "U1327-54".

Is DTC "U1327-52" or DTC "U1327-54" detected?

YES>>

- U1327-52: Refer to [DTC Description](#).
- U1327-54: Refer to [DTC Description](#).

NO>>

[GO TO 2.](#)

## 2. CHECK MAC DIAGNOSIS

---

Perform "MAC Diagnosis" mode of "CHASSIS CONTROL" using CONSULT.

Is DTC "U2165-57" detected with DTC "U1327-52", DTC "U1327-54", DTC "U2143-57", DTC "U214F-57", and DTC "U2152-57" at the same time?

YES (all DTC codes are detected at the same time)>>

Replace the chassis control module. Refer to [CHASSIS CONTROL MODULE : Removal & Installation](#).

NO (all DTC codes are not detected at the same time)>>

[GO TO 3.](#)

## 3. CHECK CAN DIAGNOSIS

---

Perform "CAN Diag".

Is the inspection result normal?

YES>>

INSPECTION END

NO>>

Repair or replace root cause.

**DTC DETECTION LOGIC**

DTC No.		CONSULT screen terms	DTC detection condition	
C1BCA	82	ABS actuator and electric unit (control unit) system	Diagnosis condition	When power switch is ON.
			Signal (terminal)	CAN communication signal
			Threshold	ABS actuator and electric unit (control unit) system is malfunctioning
			Diagnosis delay time	2 seconds or more

**POSSIBLE CAUSE**

ABS actuator and electric unit (control unit)

**FAIL-SAFE**

The following functions are suspended.

e-Step function

## 1. PRECONDITIONING

---

If “Confirmation Procedure” has been previously conducted, always power switch OFF (auto ACC function OFF) and wait at least 10 seconds before conducting the next test.

>>

[GO TO 2.](#)

## 2. CHECK DTC DETECTION

---

 With CONSULT

1. Power switch OFF (auto ACC function OFF) to ON.

**CAUTION:**

**Be sure to wait of 10 seconds after power switch OFF (auto ACC function OFF) or ON.**

2. Perform self-diagnosis for “CHASSIS CONTROL”.

Is DTC “C1BCA-82” detected?

YES-1>>

"CRNT" is displayed: Refer to [DTC Diagnosis Procedure](#).

YES-2>>

"PAST" is displayed: INSPECTION END (Erase the memory of self-diagnosis results.)

NO-1>>


To check malfunction symptom before repair: Refer to [Intermittent Incident](#).

NO-2>>

Confirmation after repair: INSPECTION END

## 1. CHECK ABS ACTUATOR AND ELECTRIC UNIT (CONTROL UNIT) SYSTEM

---

 With CONSULT

Perform self-diagnosis for "ABS".

Is DTC detected?

YES>>


Check the DTC. Refer to [DTC Index](#).

NO>>

[GO TO 2.](#)

## 2. ERASE SELF-DIAGNOSIS RESULT

---

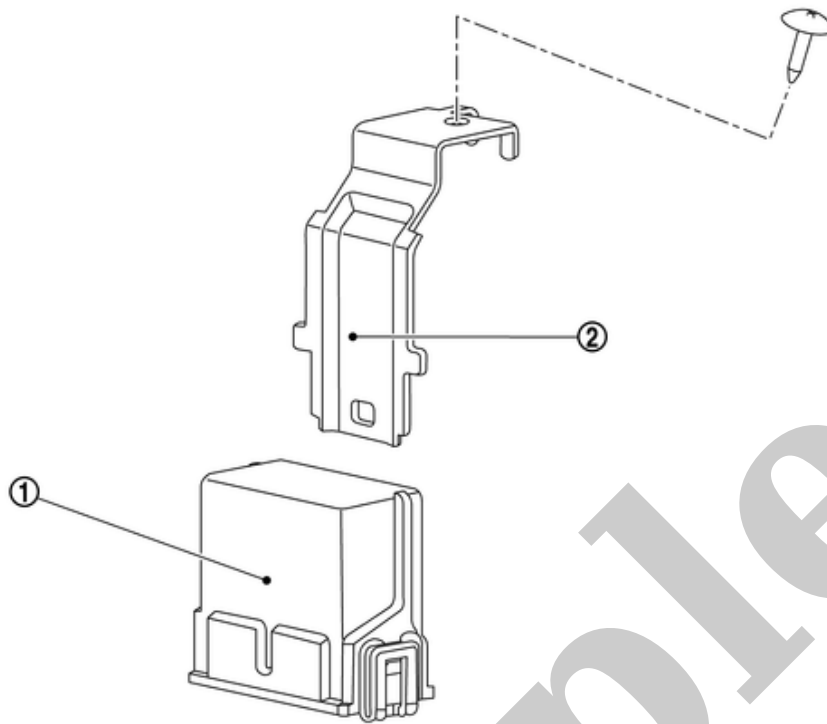
 With CONSULT

1. Erase self-diagnosis result for "CHASSIS CONTROL".
2. Power switch OFF and wait for 10 seconds or more.

>>

INSPECTION END

## SEC. 476



RDE-001883006-01-000364257

①	Chassis control module	②	Bracket		
---	------------------------	---	---------	--	--

## REMOVAL

---

**CAUTION:**

When replacing chassis control module, configuration of chassis control module is required. Refer to [Work Procedure](#).

1 Remove the instrument panel. Refer to [Removal & Installation](#).

2 Disconnect chassis control module harness connector.

3 Remove the chassis control module.

**CAUTION:**

Never drop the chassis control module.

## INSTALLATION

---

Note the following, install in the reverse order of removal.

- When replacing the chassis control module, be sure to perform the configuration of chassis control module. Refer to [Work Procedure](#).

DTC	Display item	Warning message	Refer to
C1B80-54	Incomplete calibration	ON	<a href="#">DTC Description</a>
C1B8B-82	Power network separate relay	OFF	<a href="#">DTC Description</a>
C1B8C-82	Battery management system	OFF	<a href="#">DTC Description</a>
C1B81-55	Configuration not completed	ON	<a href="#">DTC Description</a>
C1B8D-82	AVM	OFF	<a href="#">DTC Description</a>
C1B8F-82	Intelligent power distribution module engine room communication	ON	<a href="#">DTC Description</a>
C1B90-82	EPS	OFF	<a href="#">DTC Description</a>
C1B92-82	Brake control system	ON	<a href="#">DTC Description</a>
C1B92-86	Brake control system	ON	<a href="#">DTC Description</a>
C1B93-82	Engine/HEV system	ON	<a href="#">DTC Description</a>
C1B93-86	Engine/HEV system	ON	<a href="#">DTC Description</a>
C1B94-82	Transmission system	ON	<a href="#">DTC Description</a>
C1B94-86	Transmission system	ON	<a href="#">DTC Description</a>
C1B96-82	ADAS	OFF	<a href="#">DTC Description</a>
C1B96-86	ADAS	OFF	<a href="#">DTC Description</a>
C1B97-82	BCM	ON	<a href="#">DTC Description</a>
C1BA1-82	Sonar system	OFF	<a href="#">DTC Description</a>
C1BB4-44	Control module	ON	<a href="#">DTC Description</a>
C1BB4-45	Control module	ON	<a href="#">DTC Description</a>
C1BB4-46	Control module	ON	<a href="#">DTC Description</a>
C1BB4-49	Control module	ON	<a href="#">DTC Description</a>
C1BC9-82	VCM system	ON	<a href="#">DTC Description</a>
C1BCA-82	ABS actuator and electric unit (control unit) system	ON	<a href="#">DTC Description</a>



DTC	Display item	Warning message	Refer to
C1BCC-97	Stop lamp	ON	<a href="#">DTC Description</a>
U0076-00	Control module communication Bus D Off	ON*	<a href="#">DTC Description</a>
U007A-00	Control module communication Bus H Off	ON*	<a href="#">DTC Description</a>
U1327-52	MAC key update	ON*	<a href="#">DTC Description</a>
U1327-54	MAC key update	ON*	<a href="#">DTC Description</a>
U1A30-83	VCM communication	ON	<a href="#">DTC Description</a>
U1A31-83	ABS actuator and electric unit (control unit) communication	ON	<a href="#">DTC Description</a>
U2118-87	CAN communication error (Intelligent Key)	OFF	<a href="#">DTC Description</a>
U2143-57	CAN communication error (VCM/HCM/EVC/HEVC)	OFF	<a href="#">DTC Description</a>
U2143-83	Controller area network communication error (Vehicle control module/Hybrid control module)	ON	<a href="#">DTC Description</a>
U2143-87	Controller area network communication error (Vehicle control module/Hybrid control module)	ON	<a href="#">DTC Description</a>
U214E-87	CAN communication error (combination meter)	ON	<a href="#">DTC Description</a>
U214F-57	CAN communication error (BCM)	OFF	<a href="#">DTC Description</a>
U214F-83	CAN communication error (BCM)	ON	<a href="#">DTC Description</a>
U214F-87	CAN communication error (BCM)	ON	<a href="#">DTC Description</a>
U2152-57	CAN communication error advanced driver assistant systems control unit	OFF	<a href="#">DTC Description</a>
U2152-83	CAN communication error advanced driver assistant systems control unit	OFF	<a href="#">DTC Description</a>
U2152-87	CAN communication error advanced driver assistant systems control unit	OFF	<a href="#">DTC Description</a>
U2154-87	CAN communication error multimedia interface unit	ON	<a href="#">DTC Description</a>
U215B-83	CAN communication error (IPDM E/R)	ON	<a href="#">DTC Description</a>
U215B-87	CAN communication error (IPDM E/R)	ON	<a href="#">DTC Description</a>
U2165-57	CAN communication error sonar	OFF	<a href="#">DTC Description</a>
U2165-83	CAN communication error sonar	OFF	<a href="#">DTC Description</a>
U2165-87	CAN communication error sonar	OFF	<a href="#">DTC Description</a>
U218B-83	CAN communication error	OFF	<a href="#">DTC Description</a>

DTC	Display item	Warning message	Refer to
U218B-87	CAN communication error	OFF	<a href="#">DTC Description</a>
U2248-83	CAN communication error brake control unit	ON	<a href="#">DTC Description</a>
U2248-87	CAN communication error brake control unit	ON	<a href="#">DTC Description</a>
U2359-83	CAN communication error steering control unit	OFF	<a href="#">DTC Description</a>
U2359-87	CAN communication error steering control unit	OFF	<a href="#">DTC Description</a>
U2448-83	CAN communication error [ABS actuator and electric unit (control unit)]	ON	<a href="#">DTC Description</a>
U2448-87	CAN communication error [ABS actuator and electric unit (control unit)]	ON	<a href="#">DTC Description</a>
U24A6-83	CAN communication error (HNS)	OFF	<a href="#">DTC Description</a>
U24A6-87	CAN communication error (HNS)	OFF	<a href="#">DTC Description</a>
U2543-83	CAN communication error (VCM/HCM/EVC/HEVC)	ON	<a href="#">DTC Description</a>
U2543-87	CAN communication error (VCM/HCM/EVC/HEVC)	ON	<a href="#">DTC Description</a>
U2675-83	CAN communication error (AVM)	OFF	<a href="#">DTC Description</a>
U2675-87	CAN communication error (AVM)	OFF	<a href="#">DTC Description</a>
U2A03-88	CAN communication error	ON*	<a href="#">DTC Description</a>
U2A0A-88	Communication Bus Off ITS6-FD	OFF	<a href="#">DTC Description</a>
U2A0B-88	Controller area network communication error	ON*	<a href="#">DTC Description</a>
U2A0E-88	Communication Bus Off CH2-FD	ON*	<a href="#">DTC Description</a>

\*: Chassis control warning in information display turns ON/OFF according to a condition when DTC is detected.