

Your Ultimate Source for OEM Repair Manuals

FactoryManuals.net is a great resource for anyone who wants to save money on repairs by doing their own work. The manuals provide detailed instructions and diagrams that make it easy to understand how to fix a vehicle.

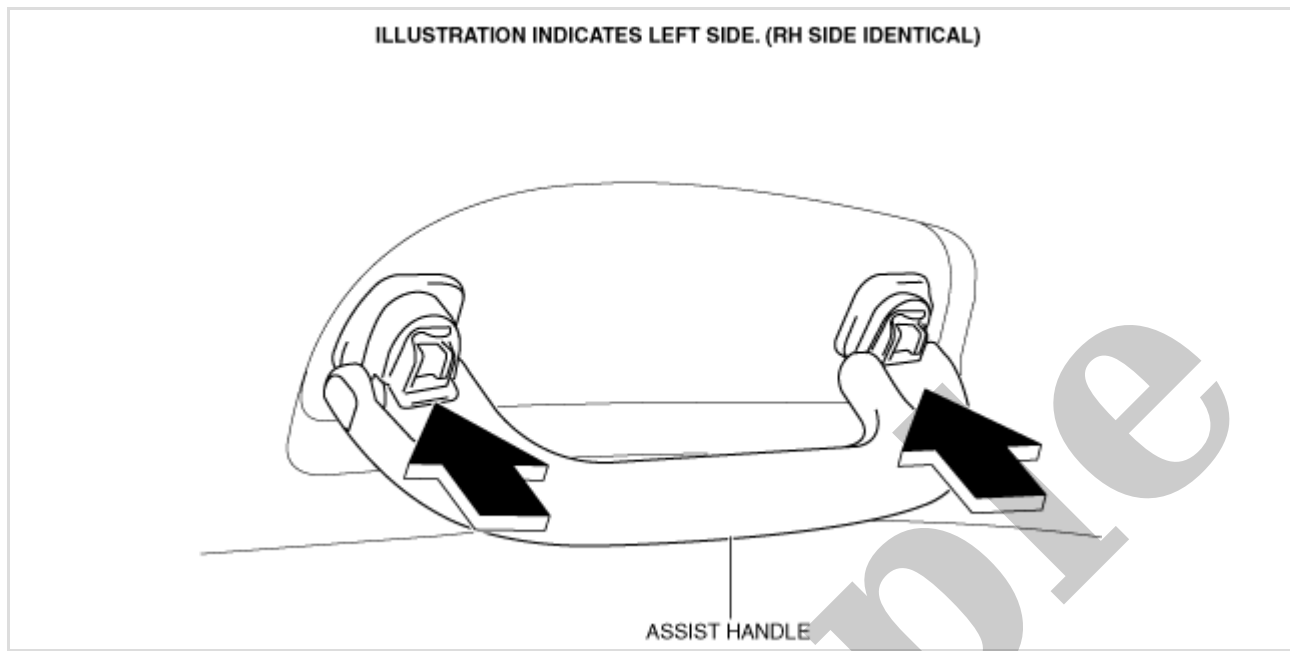
2018 Mazda CX 5 Repair Manual & Service Guide

[Go to manual page](#)

- Remove the assist handle by shaking it up and down.

Installation

- 1.Push the assist handle in the direction of the arrows shown in the figure and insert it into the assist handle brackets.



- 2.Push the assist handle covers in the direction of the arrows shown in the figure to install the assist handle.

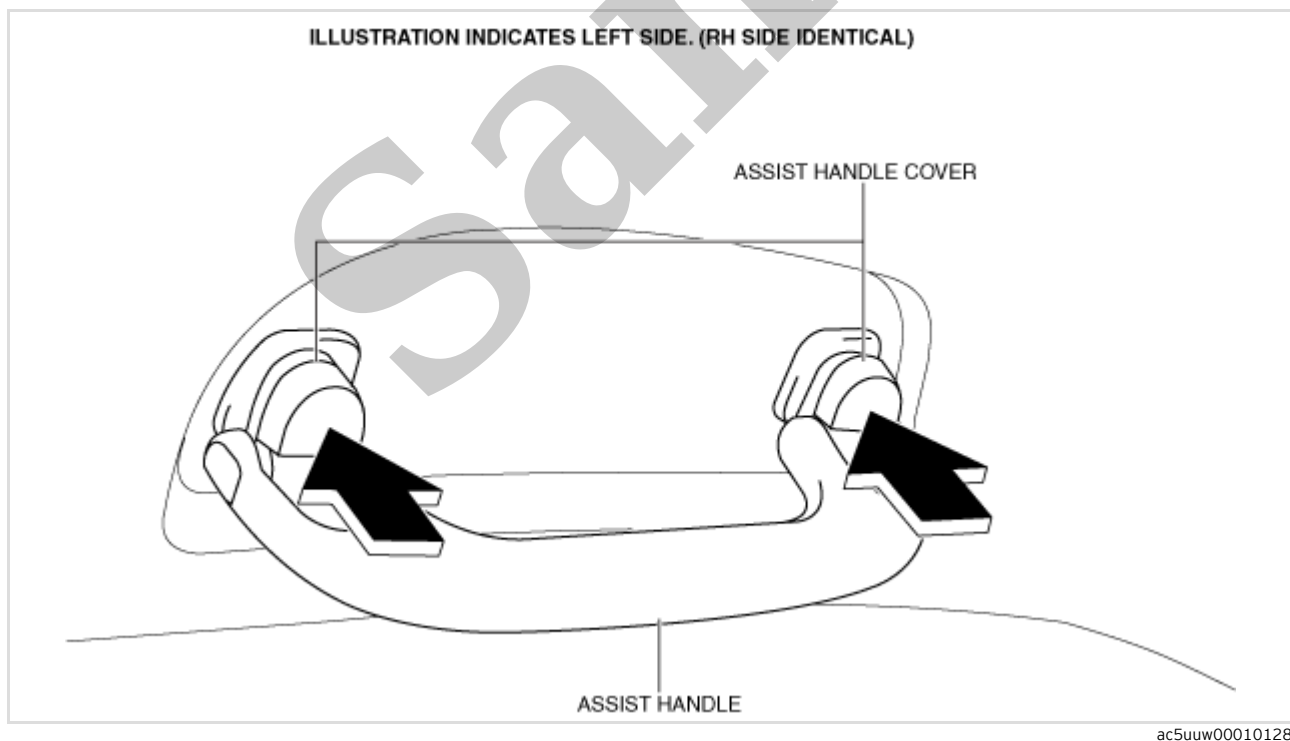
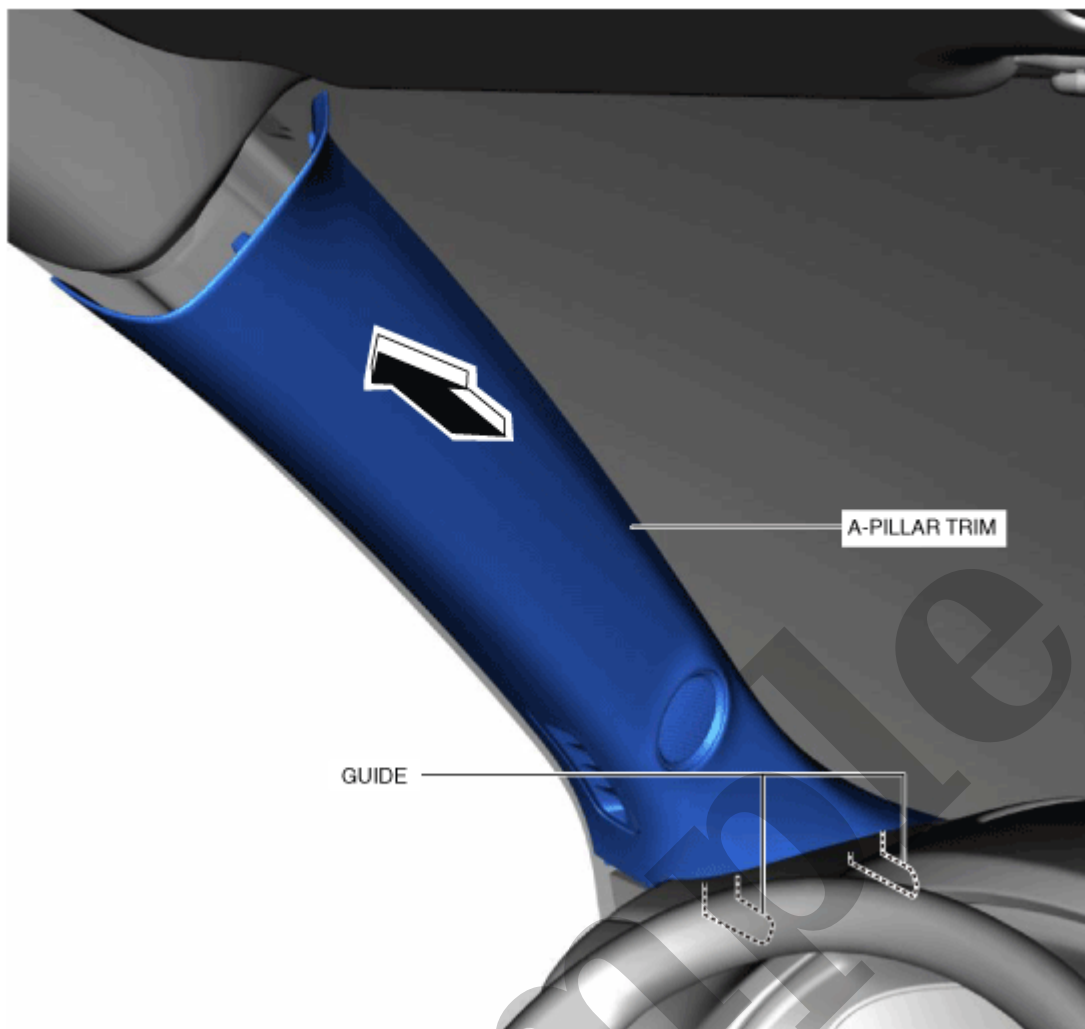


ILLUSTRATION INDICATES LEFT SIDE. (RH SIDE IDENTICAL)

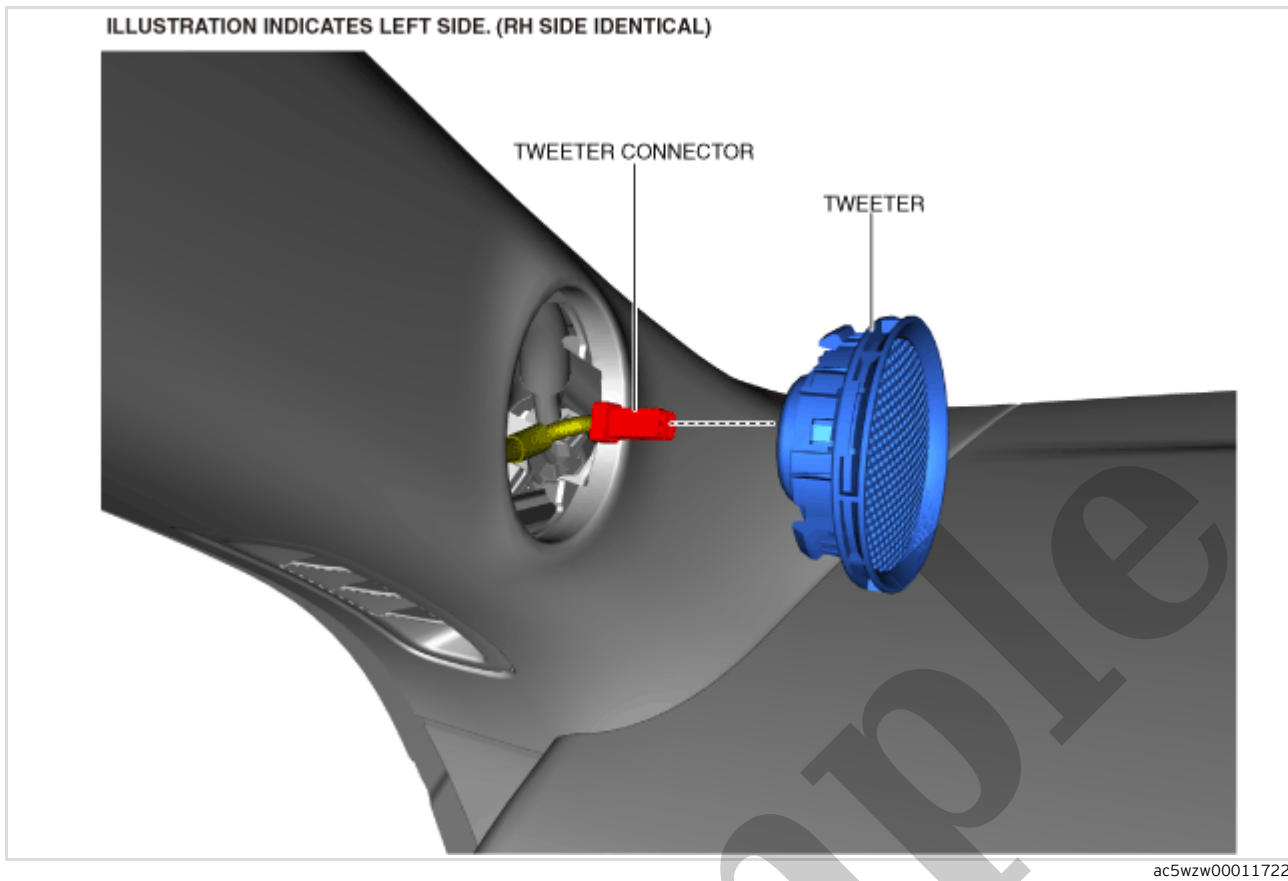


ac5uuw00005290

6. Disconnect the tweeter connector (With tweeter)

7. Remove the tweeter and the tweeter grille as a single unit. (With tweeter)

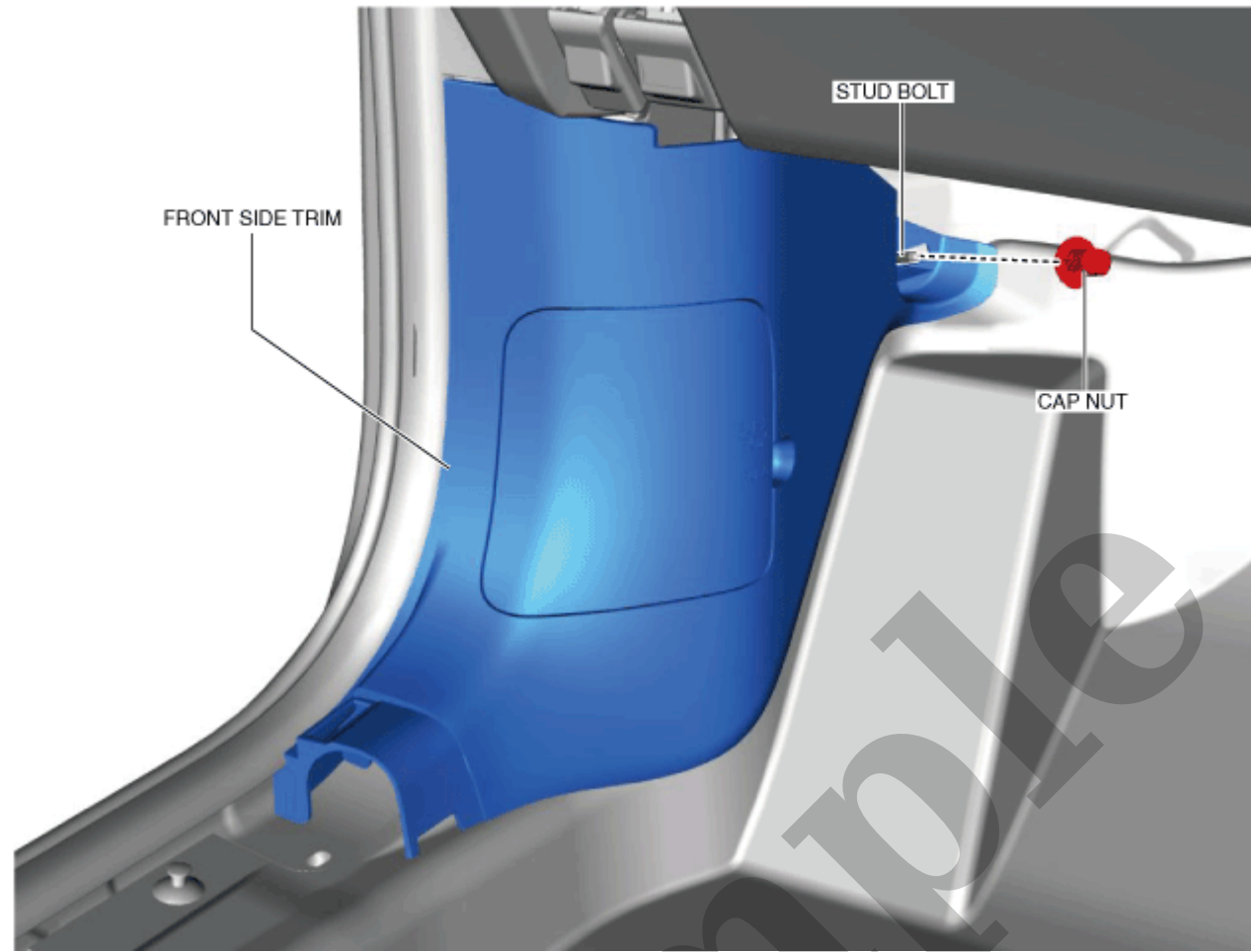
6. Connect the tweeter connector. (With tweeter)



7. Move the tweeter in the order of arrows (1) and (2) shown in the figure and install it. (With tweeter)

Sample

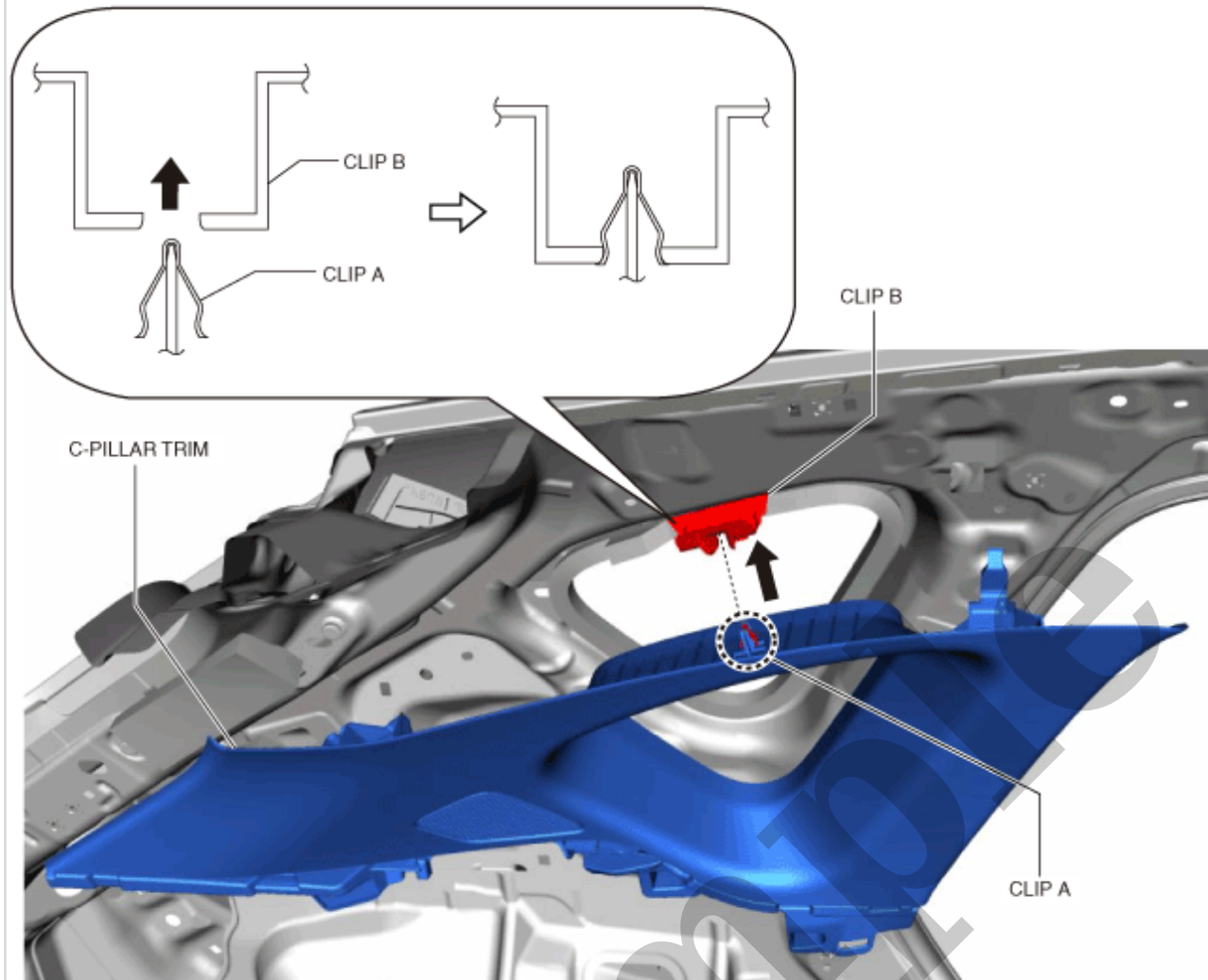
ILLUSTRATION INDICATES LEFT SIDE. (RH SIDE IDENTICAL)



ac5uuw00005294

4. Pull the front side trim out of the stud bolt.

ILLUSTRATION INDICATES LEFT SIDE. (RH SIDE IDENTICAL)



ac5uuw00006658

2. Verify that the clip and pin installation positions and their installation holes are aligned.

FLOOR COVERING REMOVAL/INSTALLATION

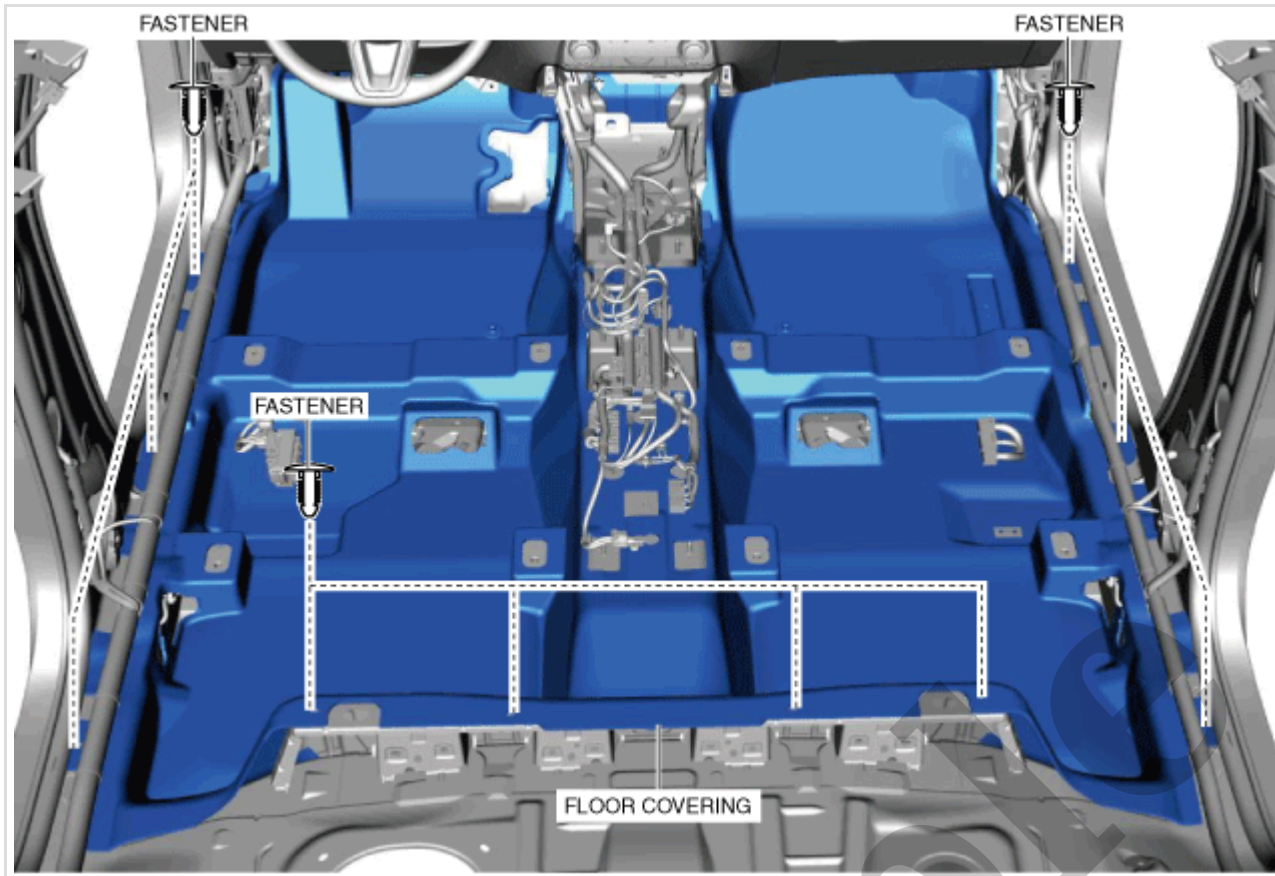
SM2899483

id09170080300

1. Disconnect the negative battery terminal. (See [NEGATIVE BATTERY TERMINAL DISCONNECTION/CONNECTION.](#))

2. Remove the following parts:

- (1) Console side panel (See [CONSOLE SIDE PANEL REMOVAL/INSTALLATION.](#))
- (2) Switch panel (See [SWITCH PANEL REMOVAL/INSTALLATION.](#))
- (3) Cup holder (See [CUP HOLDER REMOVAL/INSTALLATION.](#))
- (4) Selector lever knob (See [SELECTOR LEVER COMPONENT REMOVAL/INSTALLATION.](#))
- (5) Shift panel (See [SHIFT PANEL REMOVAL/INSTALLATION.](#))
- (6) Front console box (See [FRONT CONSOLE BOX REMOVAL/INSTALLATION.](#))
- (7) Side wall (See [SIDE WALL REMOVAL/INSTALLATION.](#))
- (8) Rear console (See [REAR CONSOLE REMOVAL/INSTALLATION.](#))
- (9) Front scuff plate (See [FRONT SCUFF PLATE REMOVAL/INSTALLATION.](#))
- (10) Front side trim (See [FRONT SIDE TRIM REMOVAL/INSTALLATION.](#))
- (11) Rear scuff plate (See [REAR SCUFF PLATE REMOVAL/INSTALLATION.](#))
- (12) B-pillar lower trim (See [B-PILLAR LOWER TRIM REMOVAL/INSTALLATION.](#))
- (13) Rear seat cushion (See [REAR SEAT CUSHION REMOVAL/INSTALLATION.](#))
- (14) Front seat (See [FRONT SEAT REMOVAL/INSTALLATION.](#))
- (15) Dosing control unit (SKYACTIV-D 2.2) (See [DOSING CONTROL UNIT REMOVAL/INSTALLATION \[SKYACTIV-D 2.2\].](#))
- (16) Lower anchor installation cover on the front seat belt (Without lap pre-tensioner seat belt) (See [FRONT SEAT BELT REMOVAL/INSTALLATION.](#))
- (17) Lower anchor installation bolt on the front seat belt (Without lap pre-tensioner seat belt) (See [FRONT SEAT BELT REMOVAL/INSTALLATION.](#))
- (18) Lower anchor installation bolt on the lap pre-tensioner seat belt (With lap pre-tensioner seat belt) (See [FRONT SEAT BELT REMOVAL/INSTALLATION.](#))
- (19) Lower anchor installation bolt on the lap pre-tensioner seat belt (With lap pre-tensioner seat belt) (See [FRONT SEAT BELT REMOVAL/INSTALLATION.](#))
- (20) Joint cover (See [STEERING WHEEL AND COLUMN REMOVAL/INSTALLATION.](#))
- (21) Accelerator pedal (See [ACCELERATOR PEDAL REMOVAL/INSTALLATION \[SKYACTIV-G 2.5T\].](#)) (See [ACCELERATOR PEDAL REMOVAL/INSTALLATION \[SKYACTIV-G 2.5 \(WITH CYLINDER DEACTIVATION\)\].](#)) (See [ACCELERATOR PEDAL REMOVAL/INSTALLATION \[SKYACTIV-G 2.5 \(WITHOUT CYLINDER DEACTIVATION\)\].](#)) (See [ACCELERATOR PEDAL REMOVAL/INSTALLATION \[SKYACTIV-D 2.2\].](#))
- (22) Rear vent duct No.2 (With rear vent duct) (See [REAR VENT DUCT REMOVAL/INSTALLATION.](#))
- (23) Rear vent duct No.1 (With rear vent duct) (See [REAR VENT DUCT REMOVAL/INSTALLATION.](#))



ac5uuw00011358

13. Fold the floor covering and remove it from the door opening.

14. Install in the reverse order of removal. (See [Floor Covering Installation Note](#).)

Floor Covering Installation Note

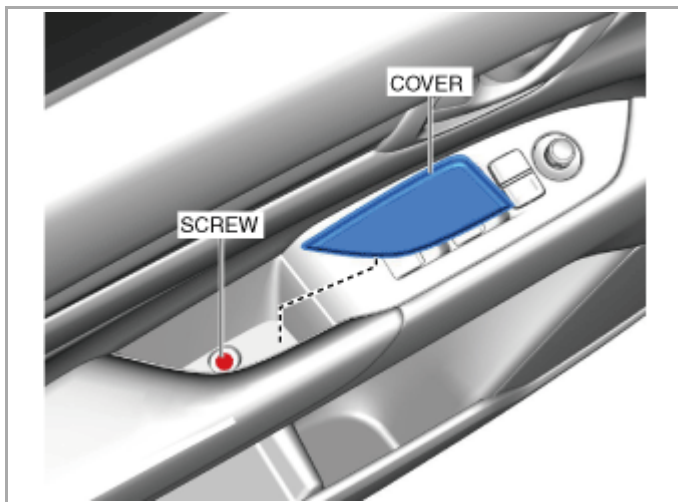
Caution

- When installing the floor covering, the floor covering may press the A/C unit drain hose and deform it. When installing the floor covering, align the floor covering to the body to prevent deforming the A/C unit drain hose.

1. Place the floor covering with it aligned to the body.

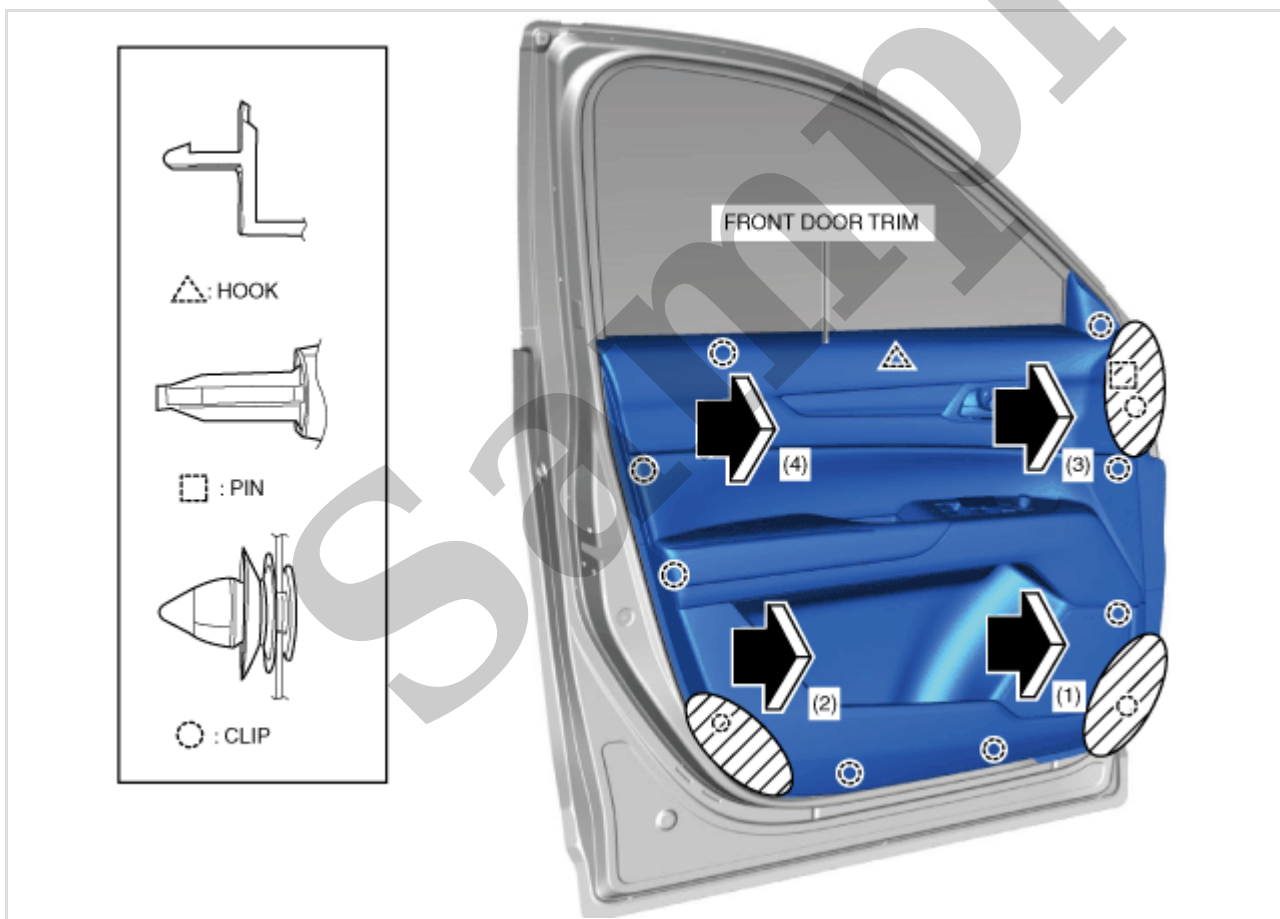
2. Before installing the side wall, verify that the A/C unit drain hose is not deformed.

4. Remove the cover, then remove the screw.



ac5uuw00006875

5. Hold each shaded area and pull the front door trim in the order of arrows (1), (2), (3), and (4), and detach the clips, hook, and pin.



ac5uuw00007969

6. Lift up the front door trim in the direction of the arrow shown in the figure being careful not to open the lower end of the front door trim excessively, and remove the front door trim from the clip.