

Your Ultimate Source for OEM Repair Manuals

FactoryManuals.net is a great resource for anyone who wants to save money on repairs by doing their own work. The manuals provide detailed instructions and diagrams that make it easy to understand how to fix a vehicle.

2018 FORD Focus RS OEM Service and Repair Workshop Manual

[Go to manual page](#)

9. **NOTE**

The front door is shown transparent for clarity.

Remove the front door latch.

1. Remove the front door glass run and bracket bolts.

Torque : 22 lb.in (2.5 Nm)

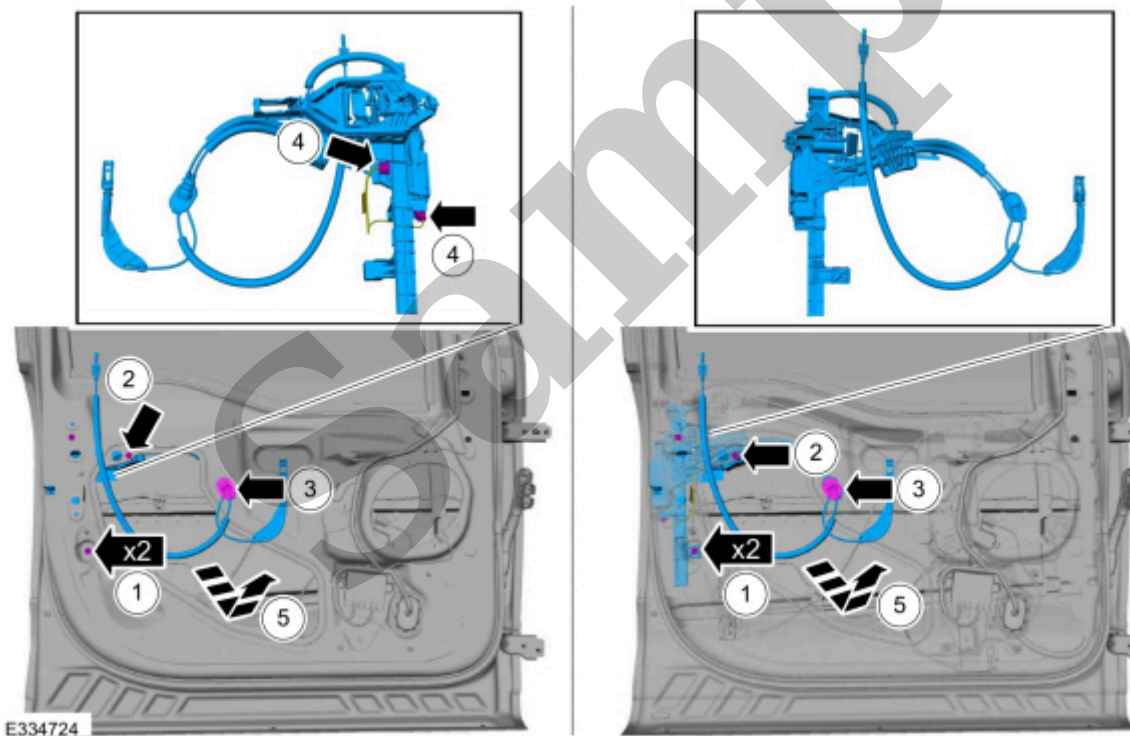
2. Remove the interior front door handle cable routing bracket bolt.

Torque : 22 lb.in (2.5 Nm)

3. Route the interior front door handle and lock indicator cable through the inner door.

4. Disconnect the front door latch electrical connectors.

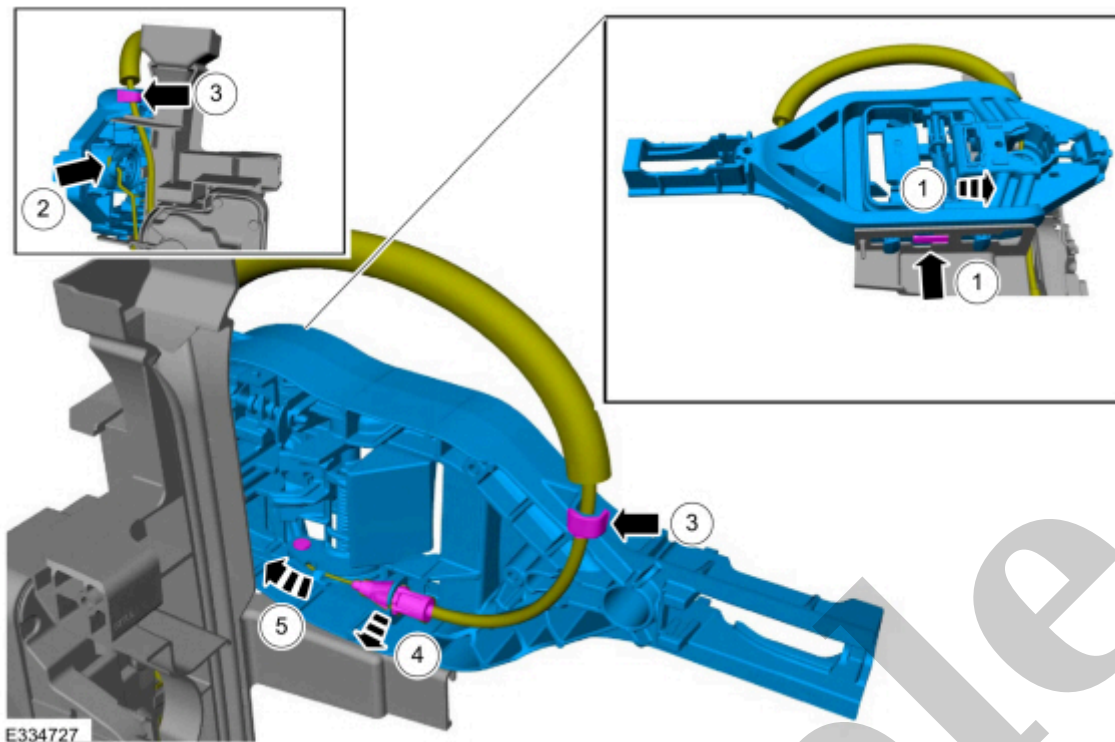
5. Remove the front door latch.



[Click here to learn about symbols, color coding, and icons used in this manual.](#)

10. **NOTE**

This step is only necessary when installing a new component.



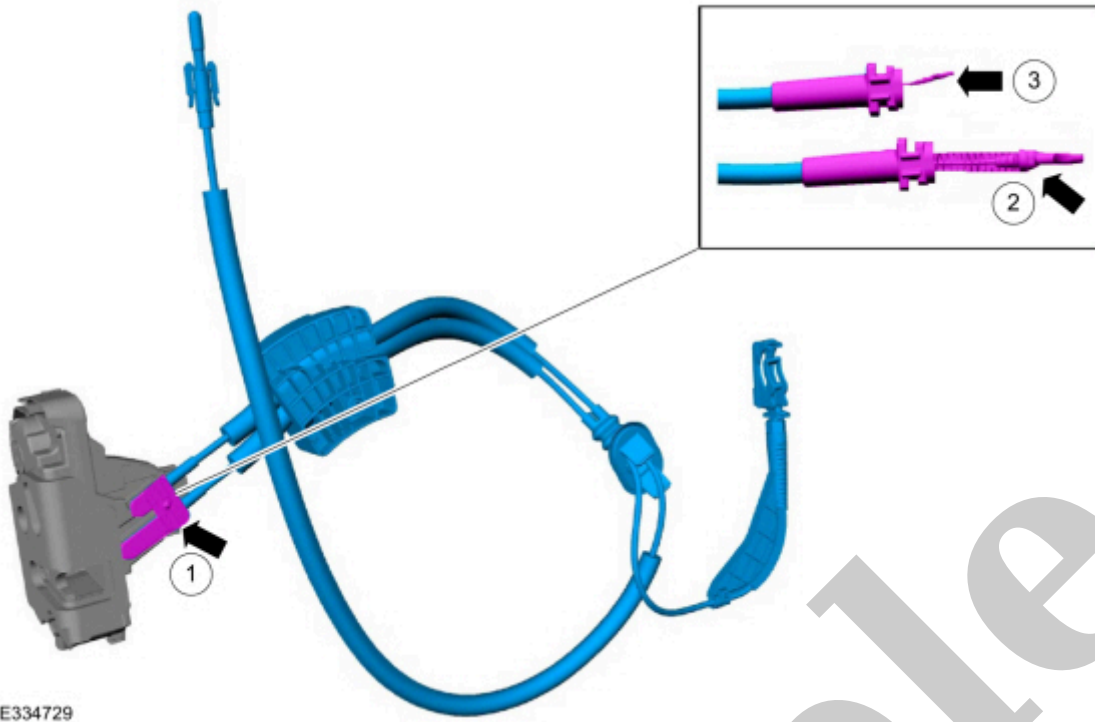
[Click here to learn about symbols, color coding, and icons used in this manual.](#)

12. NOTE

This step is only necessary when installing a new component.

Remove the front door glass run and bracket.

1. Release the retaining tab on the front door glass run and bracket.
2. Remove the front door glass run and bracket.



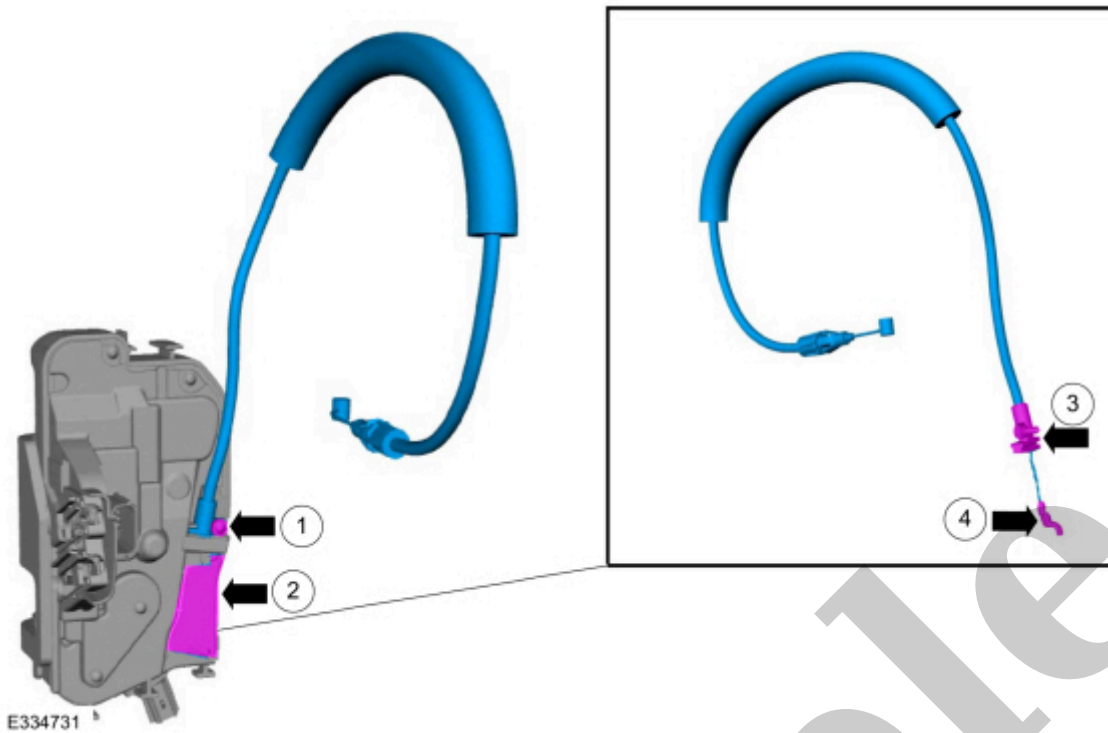
[Click here to learn about symbols, color coding, and icons used in this manual.](#)

14. **NOTE**

This step is only necessary when installing a new component.

If equipped.

Remove the front door latch lock cylinder control rod.



[Click here to learn about symbols, color coding, and icons used in this manual.](#)

Installation

All vehicles

1. To install, reverse the removal procedure.

2. **NOTE**

This step is only necessary when installing a new component.

NOTE

This step must be done correctly or the exterior door handle will not engage the lever on installation.

Position the exterior front door handle reinforcement in the service position.

1. While keeping tension on the cable and holding the handle lever in the engaged position against the stop.
2. Turn the release screw until the handle lever is positioned against the stop.

Front Door Lock Control Switch

501-14 Handles, Locks, Latches and Entry Systems	2022 F-150
Removal and Installation	Procedure revision date: 10/2/2020

Front Door Lock Control Switch

Removal

NOTE

Left hand (LH) shown, right hand (RH) similar.

1. Remove the driver door window control switch.

Refer to: [Driver Door Window Control Switch - Vehicles With: Front Power Windows](#)(501-11 Glass, Frames and Mechanisms, Removal and Installation).

Refer to: [Passenger Door Window Control Switch - Vehicles With: Front Power Windows](#)(501-11 Glass, Frames and Mechanisms, Removal and Installation).

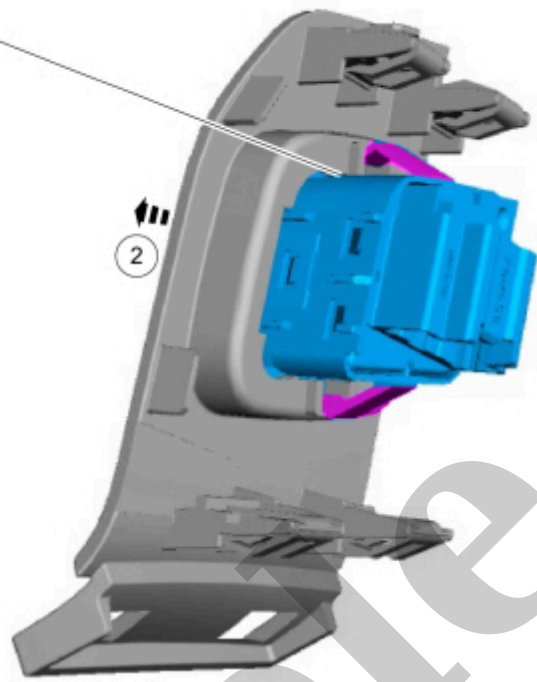
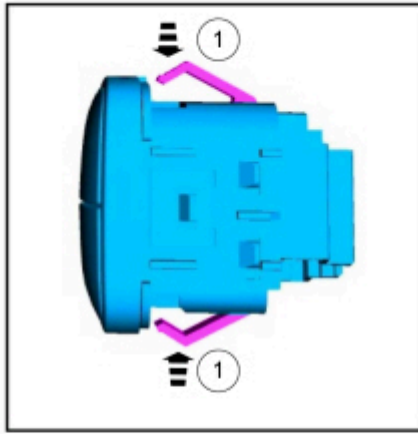
2. Remove the front door lock control switch and bezel assembly.

1. Release the front door lock control switch and bezel assembly retaining clips.

Use the General Equipment: Interior Trim Remover

2. Disconnect the front door lock control switch electrical connector.

3. Remove the front door lock control switch and bezel assembly.



E334543

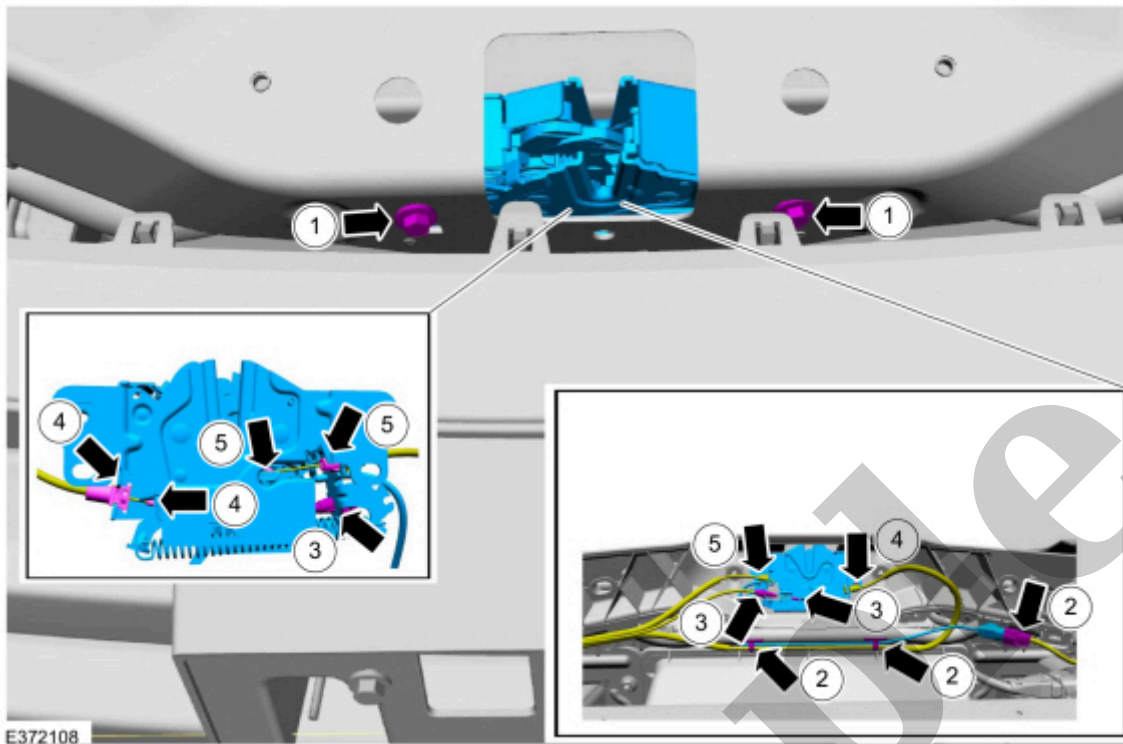
[Click here to learn about symbols, color coding, and icons used in this manual.](#)

Installation

1. To install, reverse the removal procedure.

Copyright © Ford Motor Company

5. Detach the hood release actuator cable from the mounting bracket and disconnect the hood latch release actuator cable end.

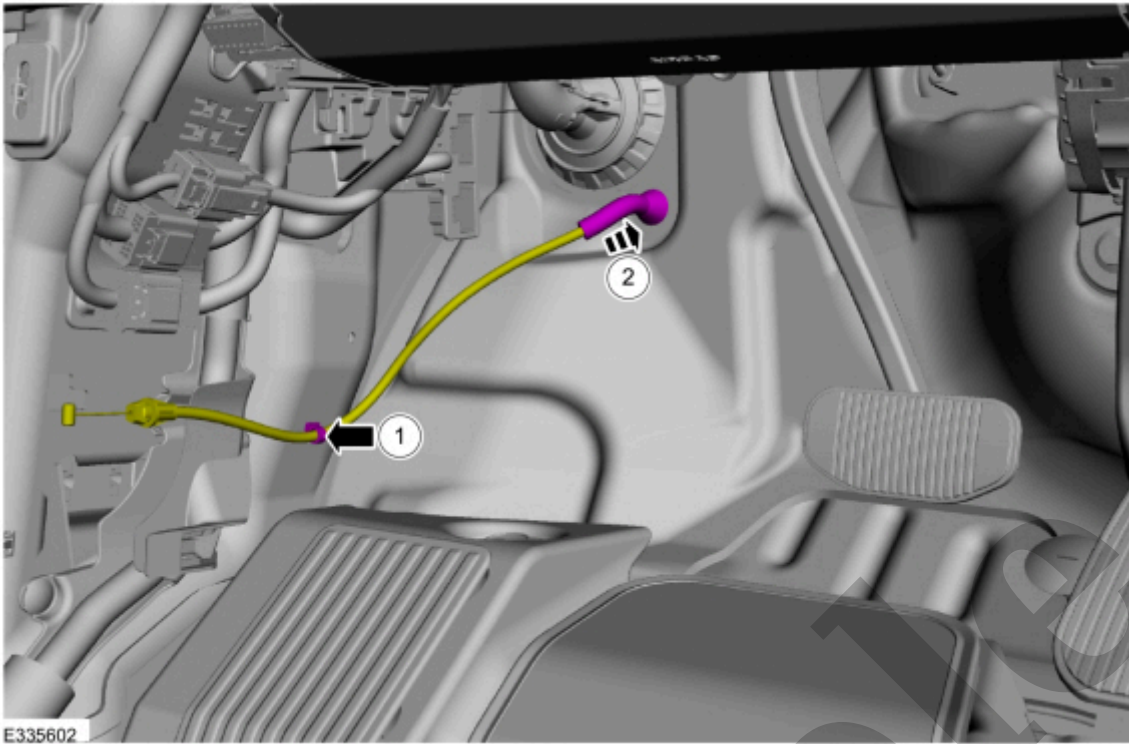


[Click here to learn about symbols, color coding, and icons used in this manual.](#)

Installation

1. To install, reverse the removal procedure.

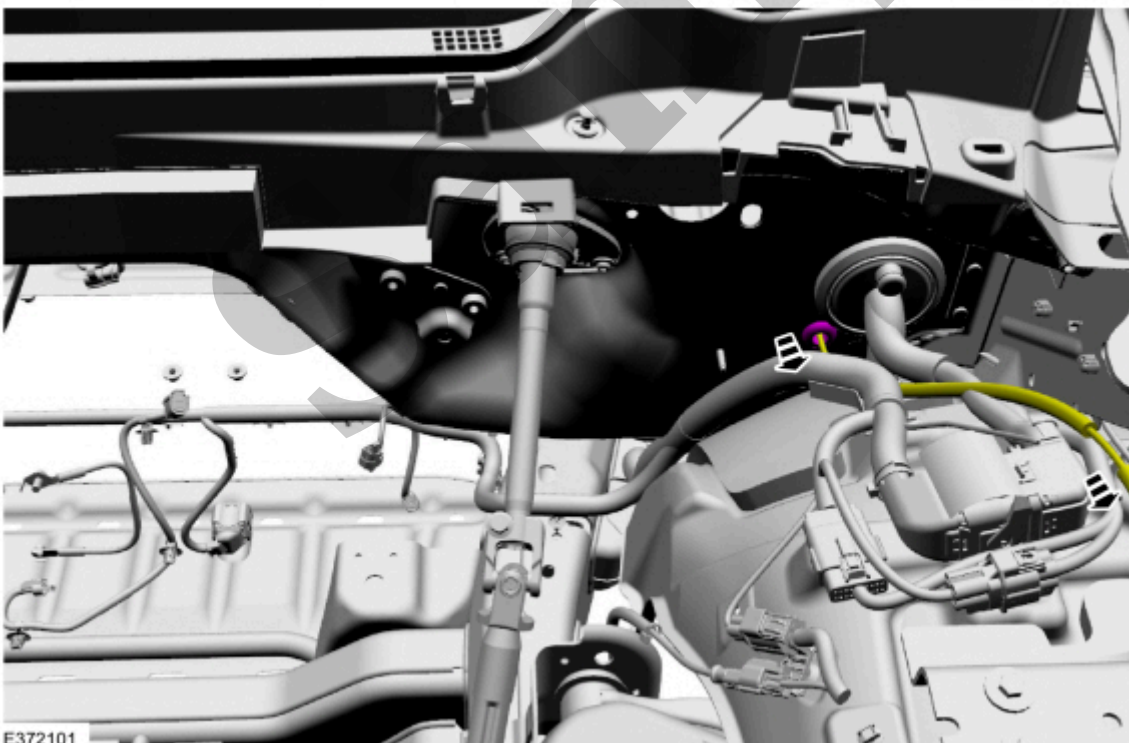
Copyright © Ford Motor Company



E335602

[Click here to learn about symbols, color coding, and icons used in this manual.](#)

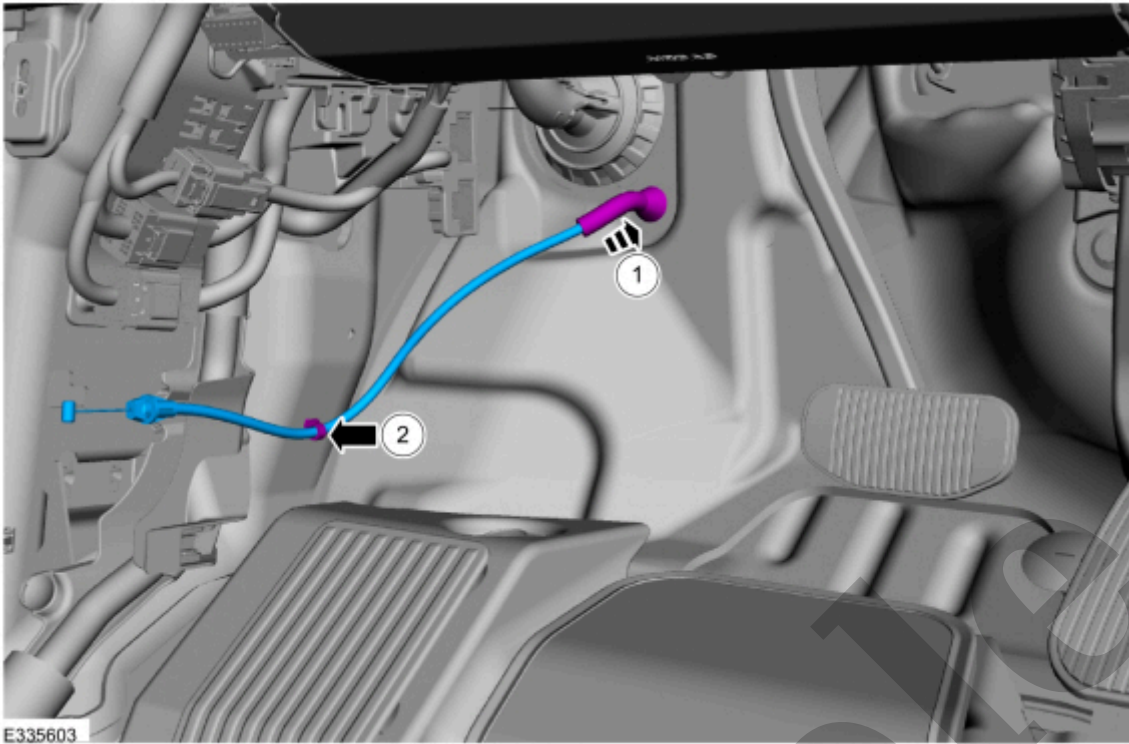
4. Route the hood latch release cable through the engine compartment.



E372101

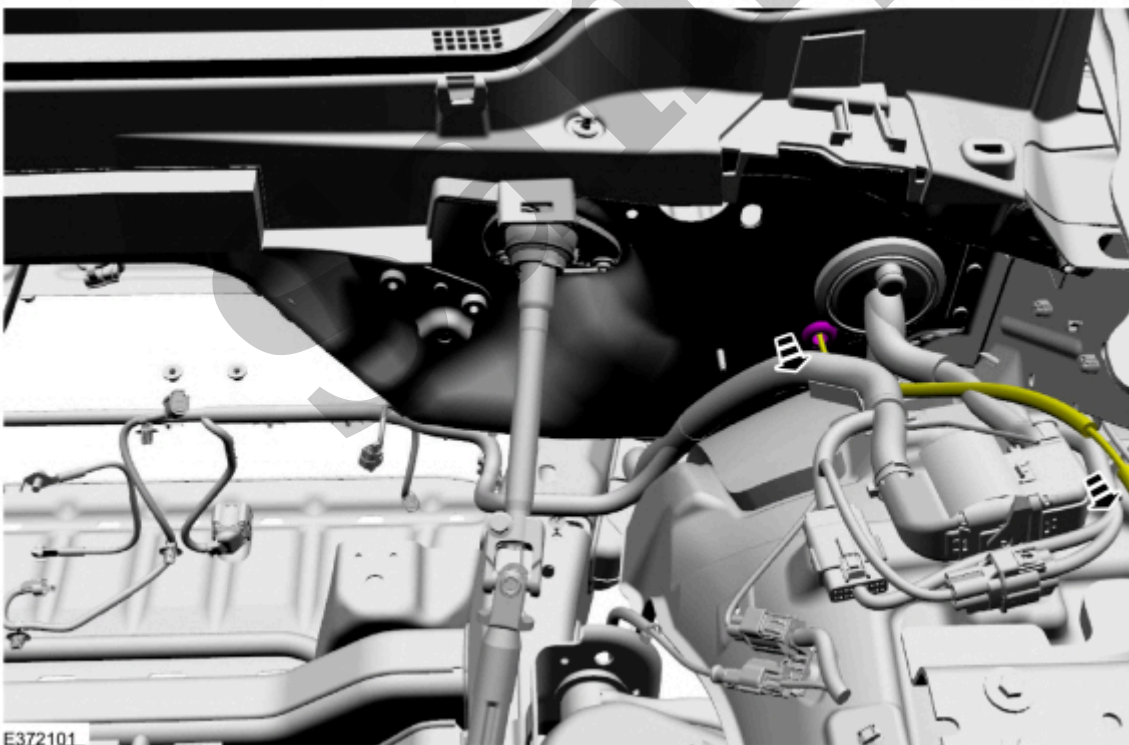
[Click here to learn about symbols, color coding, and icons used in this manual.](#)

5. Remove the hood latch release cable.



[Click here to learn about symbols, color coding, and icons used in this manual.](#)

2. Route the hood latch release cable through the engine compartment.



[Click here to learn about symbols, color coding, and icons used in this manual.](#)

3. Install the hood latch release cable.