

Your Ultimate Source for OEM Repair Manuals

FactoryManuals.net is a great resource for anyone who wants to save money on repairs by doing their own work. The manuals provide detailed instructions and diagrams that make it easy to understand how to fix a vehicle.

Volvo XC90 2017 Manual - Complete Service & Repair

[Go to manual page](#)

ASDM CAMERA HEATER > ASDM CAMERA HEATER (9/39) [2021-2022, E400V6] > CONNECTION AND COMMUNICATION

The ASDM camera heater is directly connected to the Forward Looking Camera 2 (FLC2).

DECOR ILLUMINATION, TRUNK > DECOR ILLUMINATION, TRUNK (10/352) [2018-2022]

Refer to: DECOR ILLUMINATION, TRUNK (10/352) [2018-2022],

GLASS, EXTERNAL MIRROR > GLASS, EXTERNAL MIRROR (9/33 -9/34) [2018-2022] > DESCRIPTION

The glass, external mirror, has the following functions:

- Mirror heating
- BLIS LED
- Electrochromatic dimming

GLASS, EXTERNAL MIRROR > GLASS, EXTERNAL MIRROR (9/33 -9/34) [2018-2022] > DIAGNOSTIC INFORMATION

The glass, external mirror, does not have a built-in diagnostic system. The Driver Door Module (DDM) monitors the mirror on the driver side and sets DTCs and readable parameters. The Passenger Door Module (PDM) monitors the mirror on the passenger side and sets DTCs and readable parameters.

GLASS, EXTERNAL MIRROR > GLASS, EXTERNAL MIRROR (9/33 -9/34) [2018-2022] > CONNECTION AND COMMUNICATION

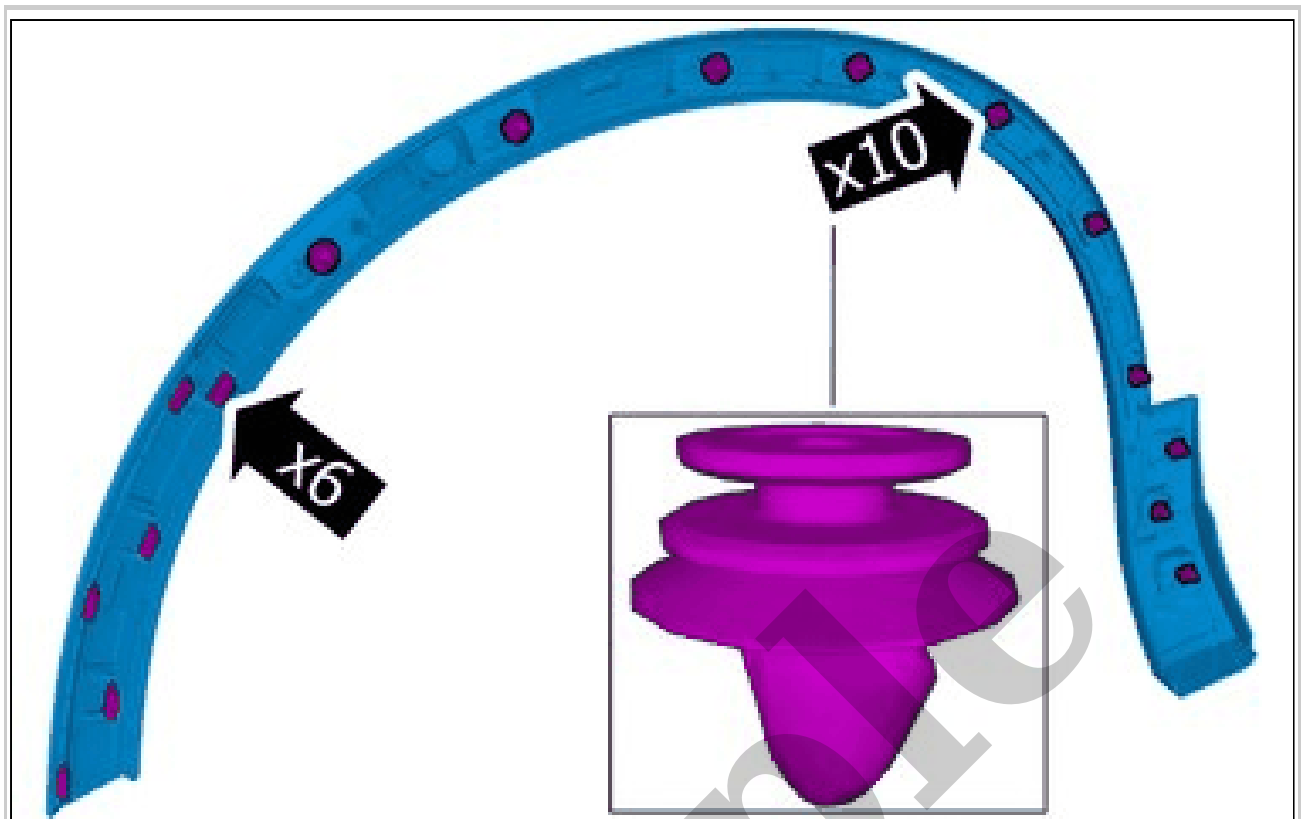
The glass, external mirror, is directly connected to their respective door modules.

HEATED RADAR COVER > HEATED RADAR COVER (9/81) [2021-2022, E400V6] > DESCRIPTION

The heated radar cover is mounted on the Forward Looking Radar (FLR). The radar cover's purpose is to prevent ice from building up on the FLR.

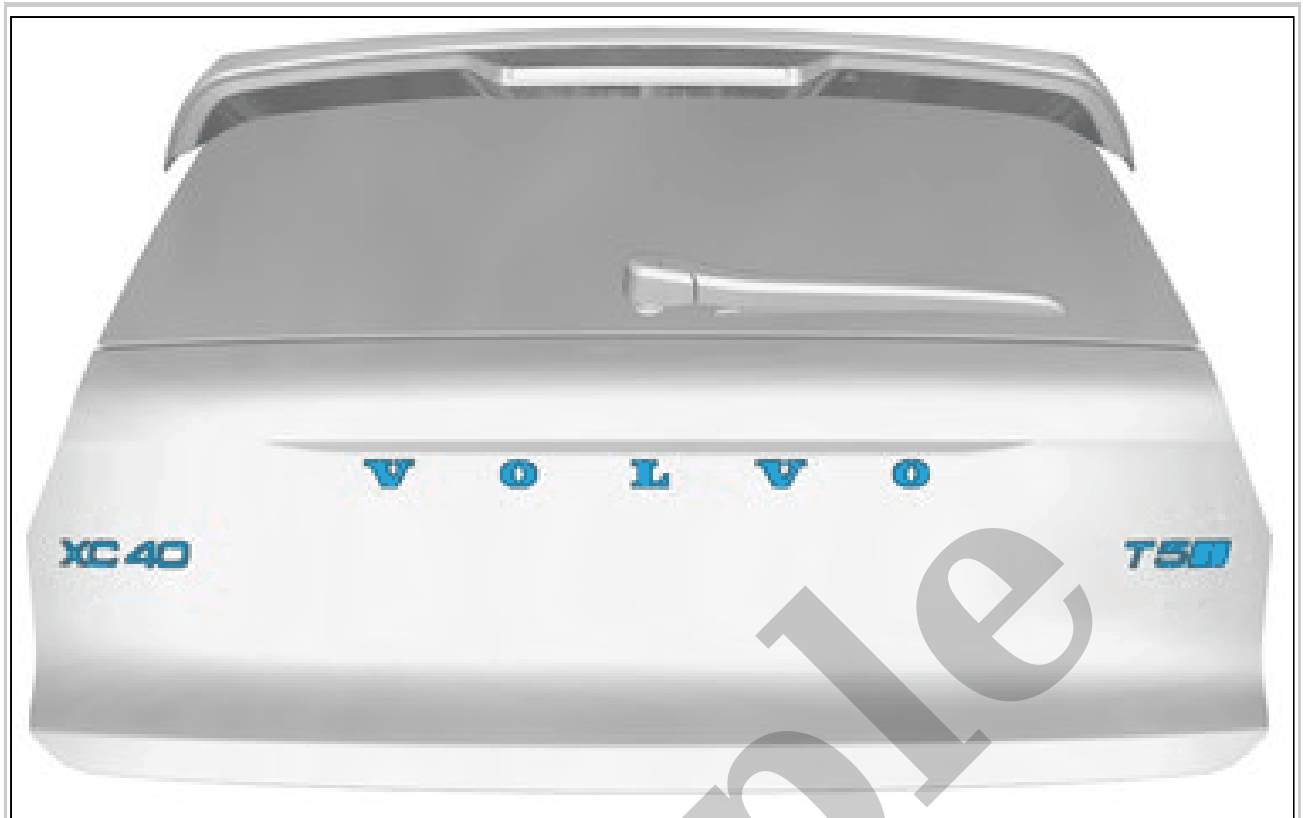
HEATED RADAR COVER > HEATED RADAR COVER (9/81) [2021-2022, E400V6] > DIAGNOSTIC INFORMATION

The heated radar cover does not have a built-in diagnostic system. The Central Electronic Module (CEM) monitors the radar cover and sets DTC's for the radar cover.



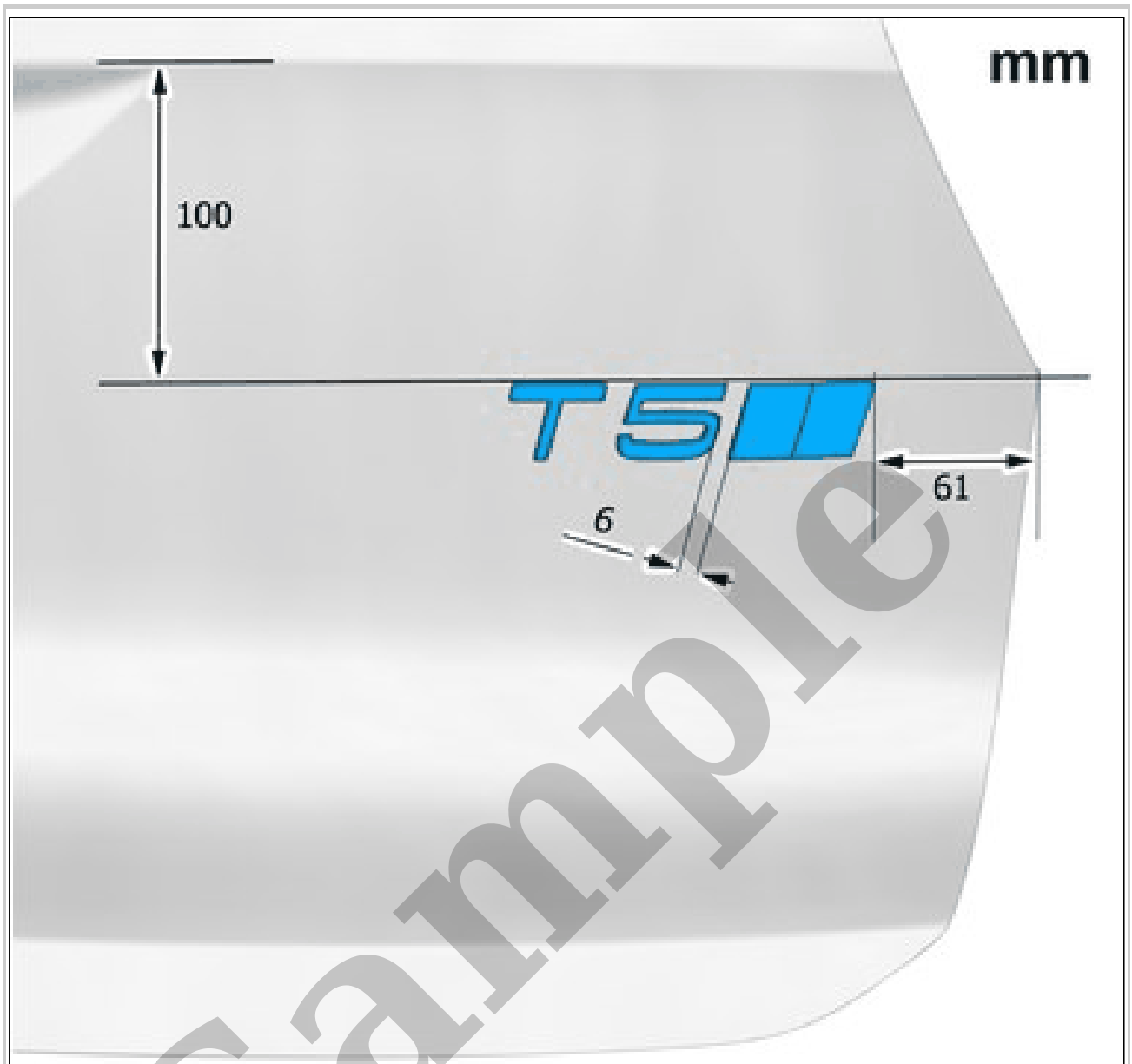
Courtesy of VOLVO CARS CORPORATION

The graphic shows the back of the component.

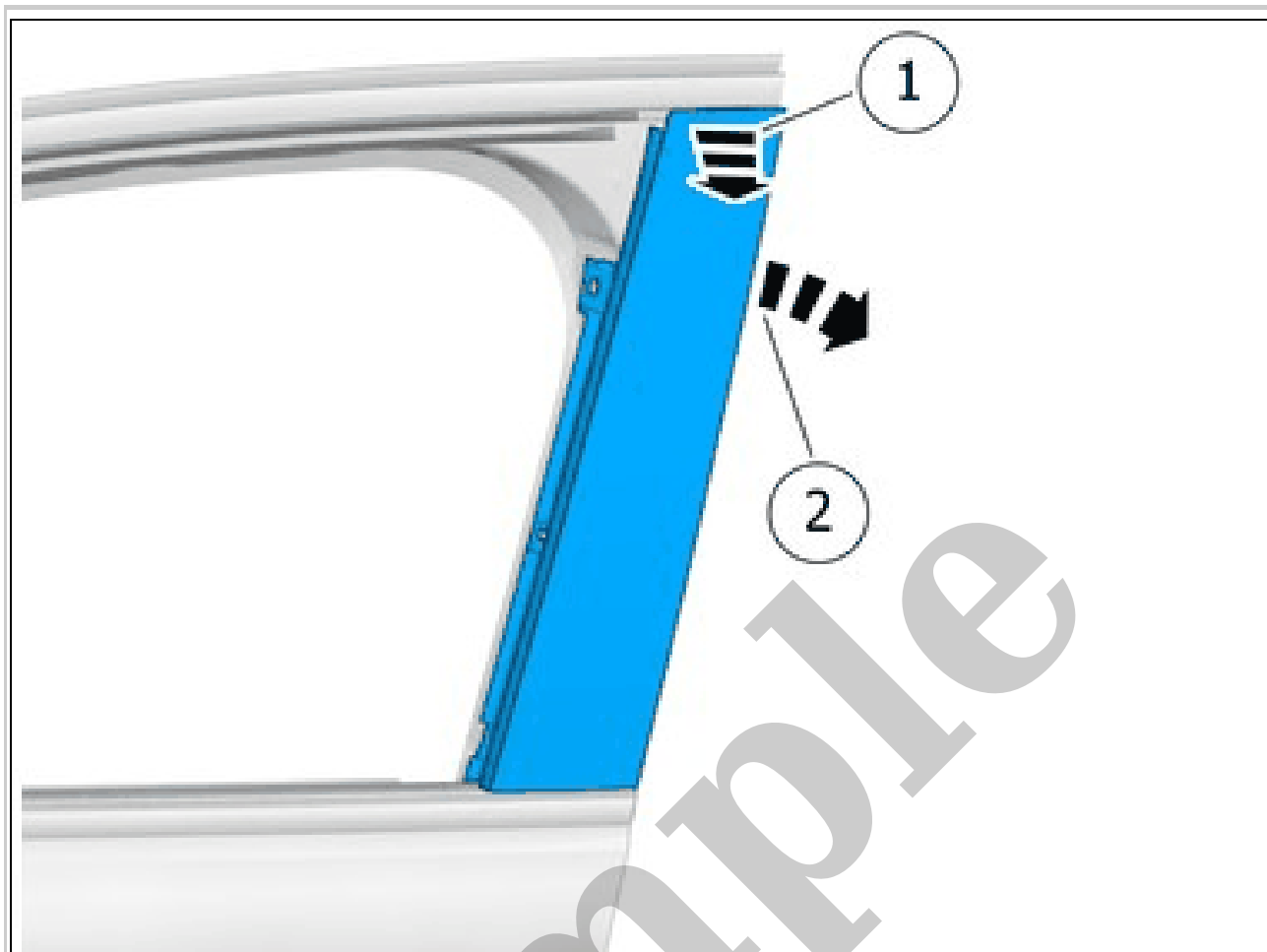


Courtesy of VOLVO CARS CORPORATION

NOTE: *Orientation view*



Courtesy of VOLVO CARS CORPORATION

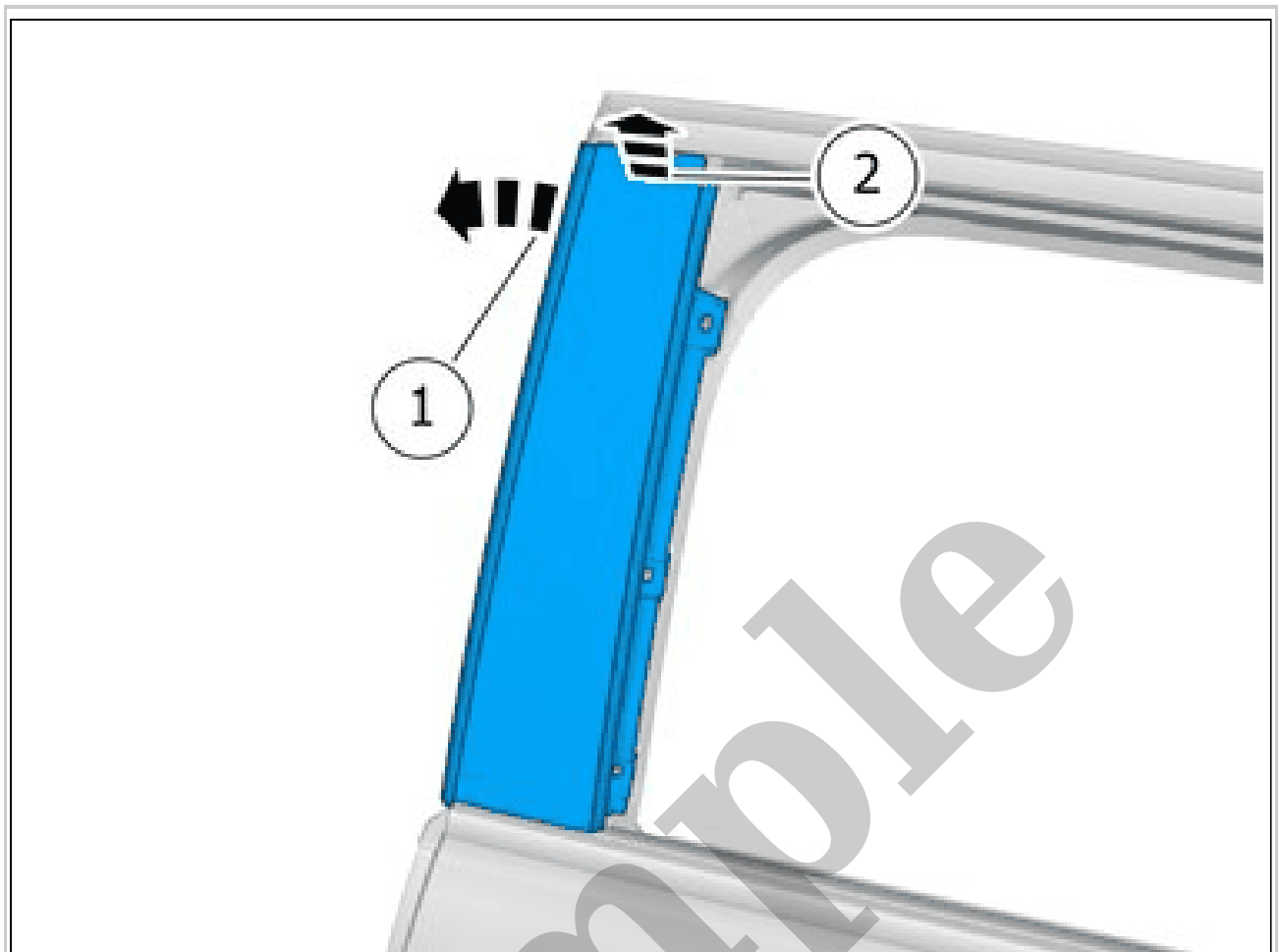


Courtesy of VOLVO CARS CORPORATION

CAUTION: *Make sure not to damage painted surfaces.*

Remove the marked part.

**OUTER FRONT SIDE DOOR TRIM PANEL > OUTER FRONT SIDE DOOR TRIM PANEL
[2018-2022] > INSTALLATION**

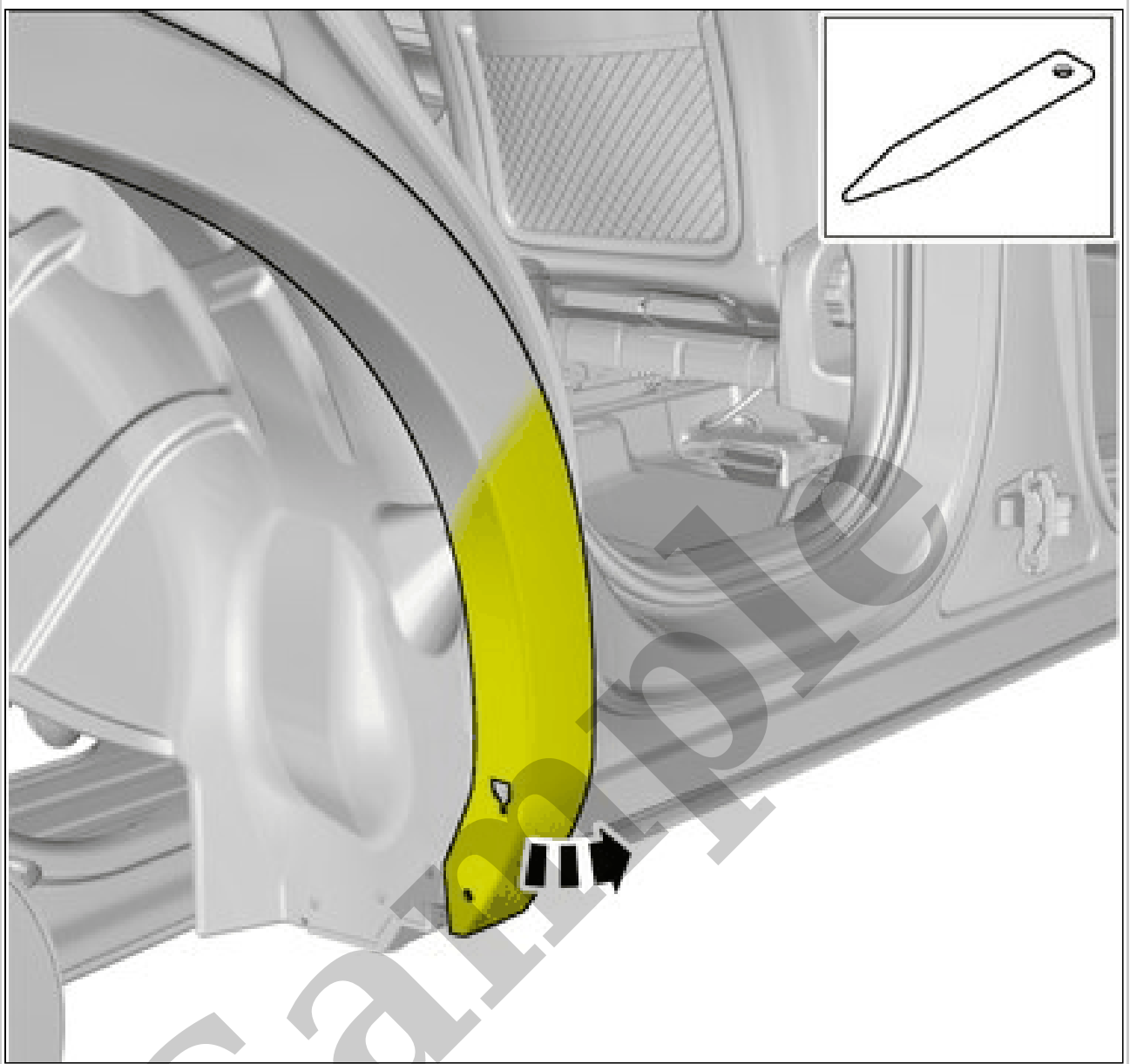


Courtesy of VOLVO CARS CORPORATION

CAUTION: *Make sure not to damage painted surfaces.*

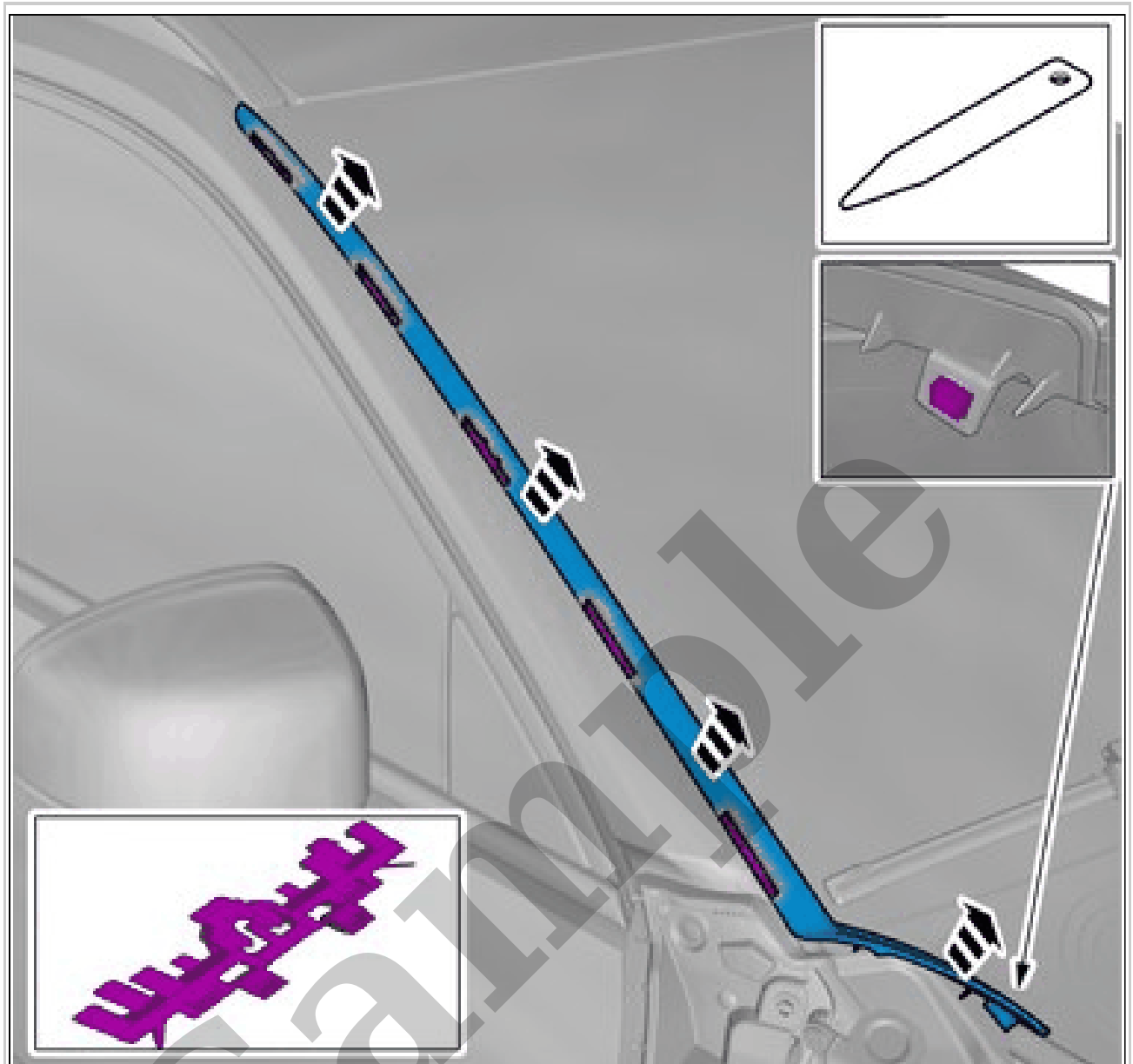
Remove the marked part.

**OUTER REAR SIDE DOOR TRIM PANEL > OUTER REAR SIDE DOOR TRIM PANEL
[2018-2022] > INSTALLATION**



Courtesy of VOLVO CARS CORPORATION

Remove the part carefully



Courtesy of VOLVO CARS CORPORATION

Remove the marked part.

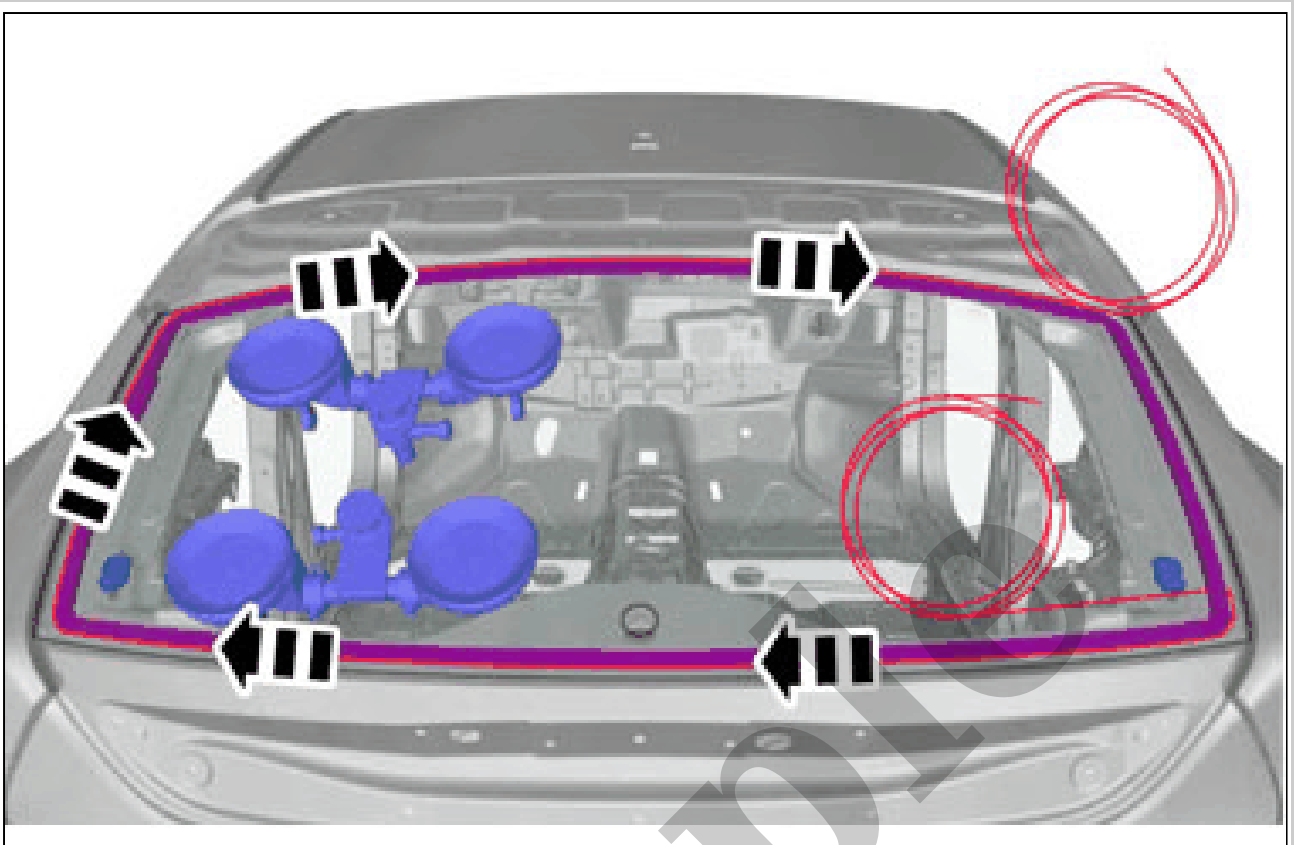
Use: Interior trim remover

A-PILLAR MOLDING > A-PILLAR MOLDING [2018-2022] > INSTALLATION

To install, reverse the removal procedure.

REAR WINDOW TAILGATE > REAR WINDOW TAILGATE [2018-2022] > REMOVAL

NOTE: Removal steps in this procedure may contain



Courtesy of VOLVO CARS CORPORATION

Sample