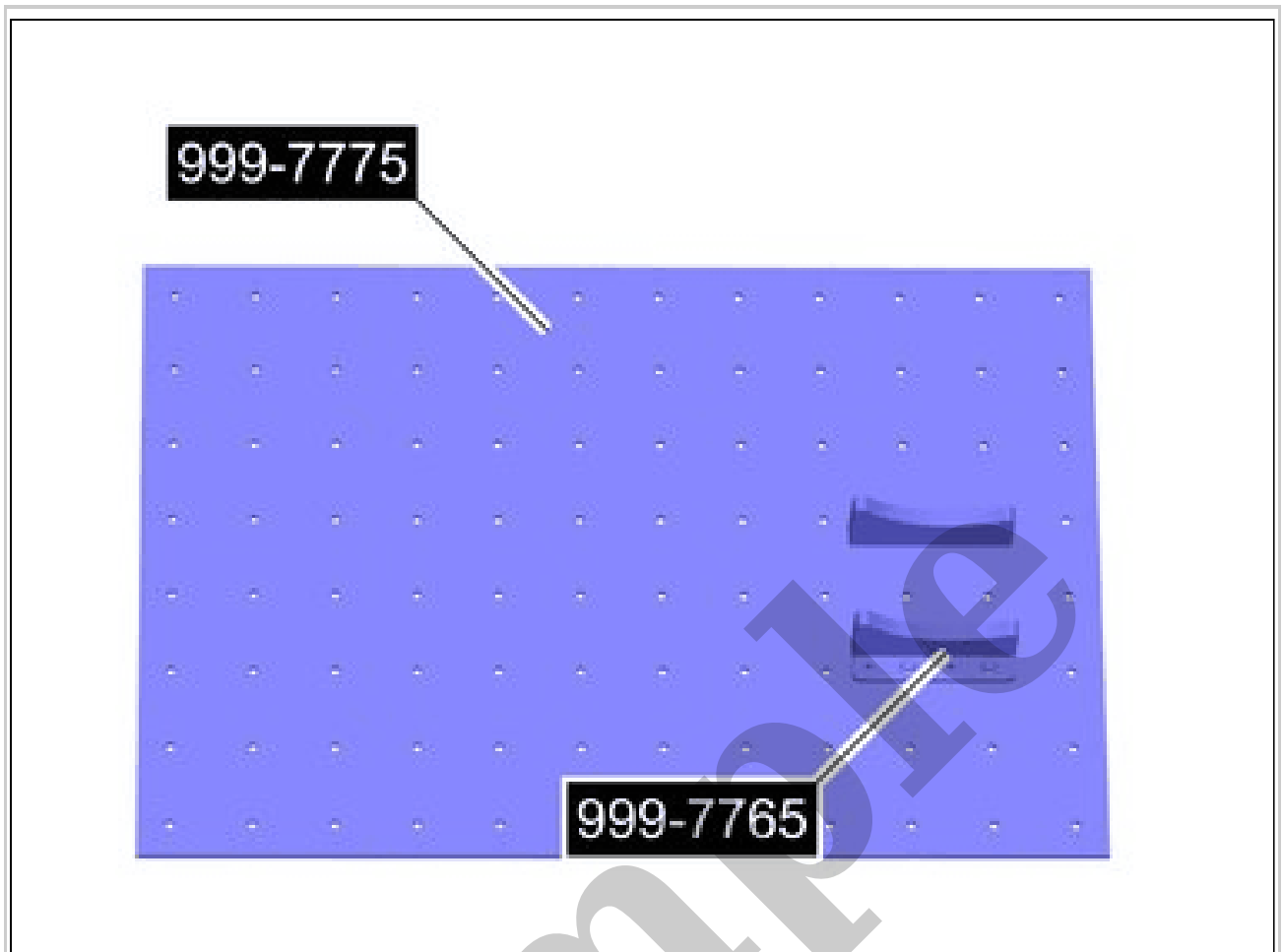


Your Ultimate Source for OEM Repair Manuals

FactoryManuals.net is a great resource for anyone who wants to save money on repairs by doing their own work. The manuals provide detailed instructions and diagrams that make it easy to understand how to fix a vehicle.

2017 VOLVO XC40 OEM Service and Repair Workshop Manual

[Go to manual page](#)



Courtesy of VOLVO CARS CORPORATION

Install the tools.

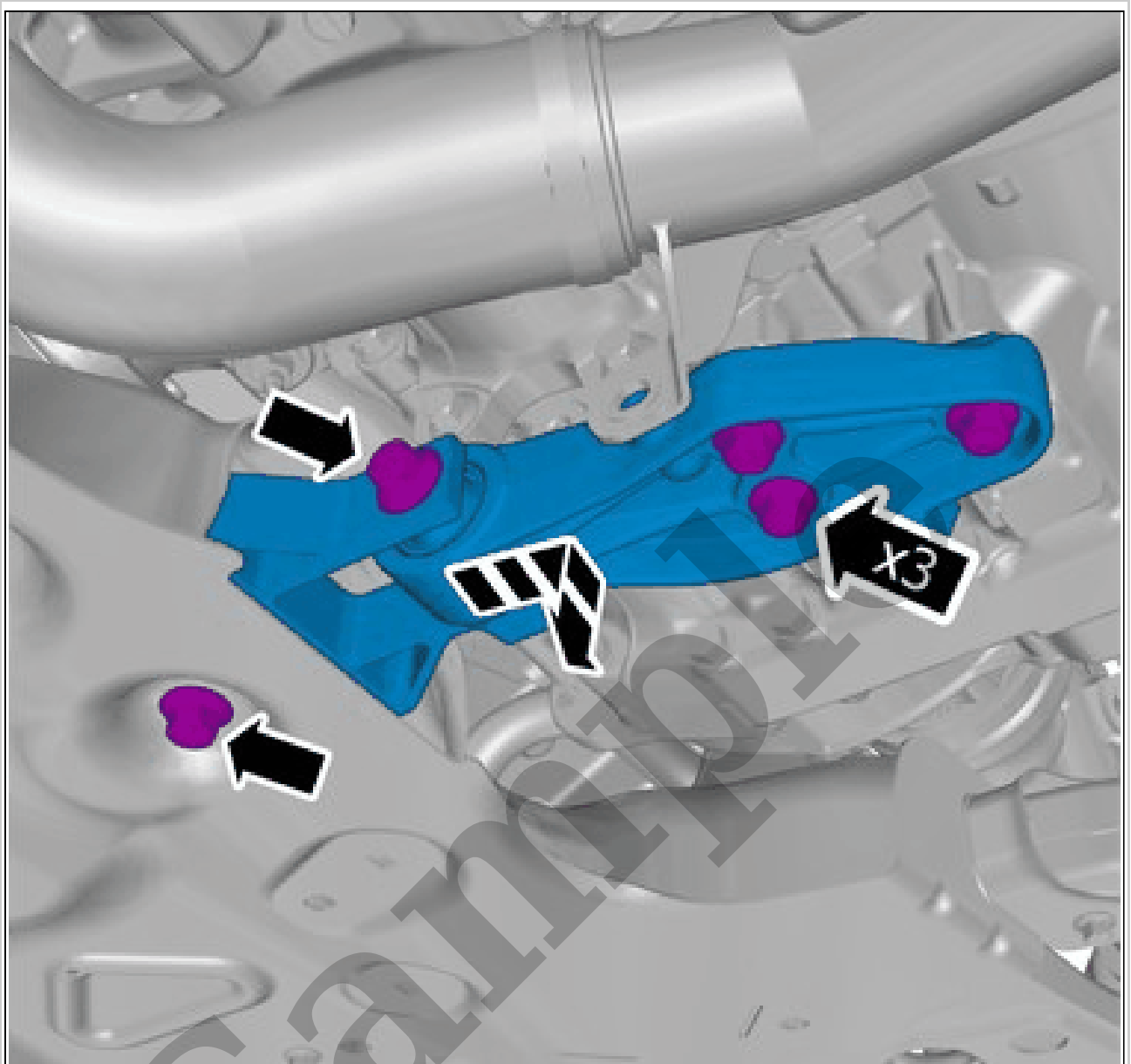
Special Tool: 999 7775 LIFTING TABLE Special Tool: 999 7765 Fixture



Courtesy of VOLVO CARS CORPORATION

Remove the screw.

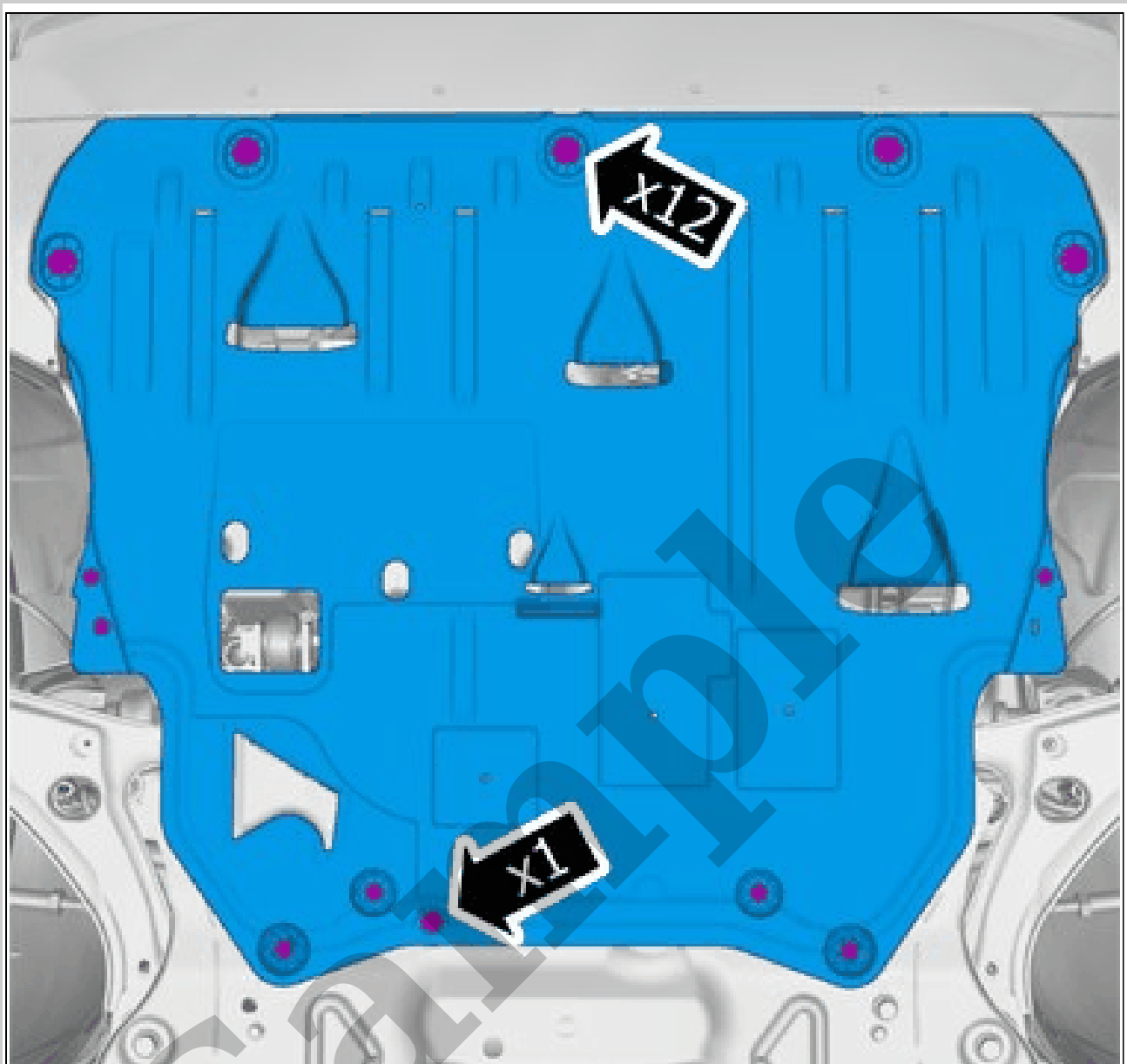
Torque: Lower torque rod rear right, to Engine mount bracket, 110Nm



Courtesy of VOLVO CARS CORPORATION

Remove the screws.
Remove the marked detail/details.

**ENGINE REAR LOWER SUPPORT INSULATOR LH > ENGINE REAR LOWER
SUPPORT INSULATOR LH [2018-2022, B4204T18, TG-81SC AWD | 2019-2022,
B4204T47, TG-81SC; TG-81SC AWD] > INSTALLATION**



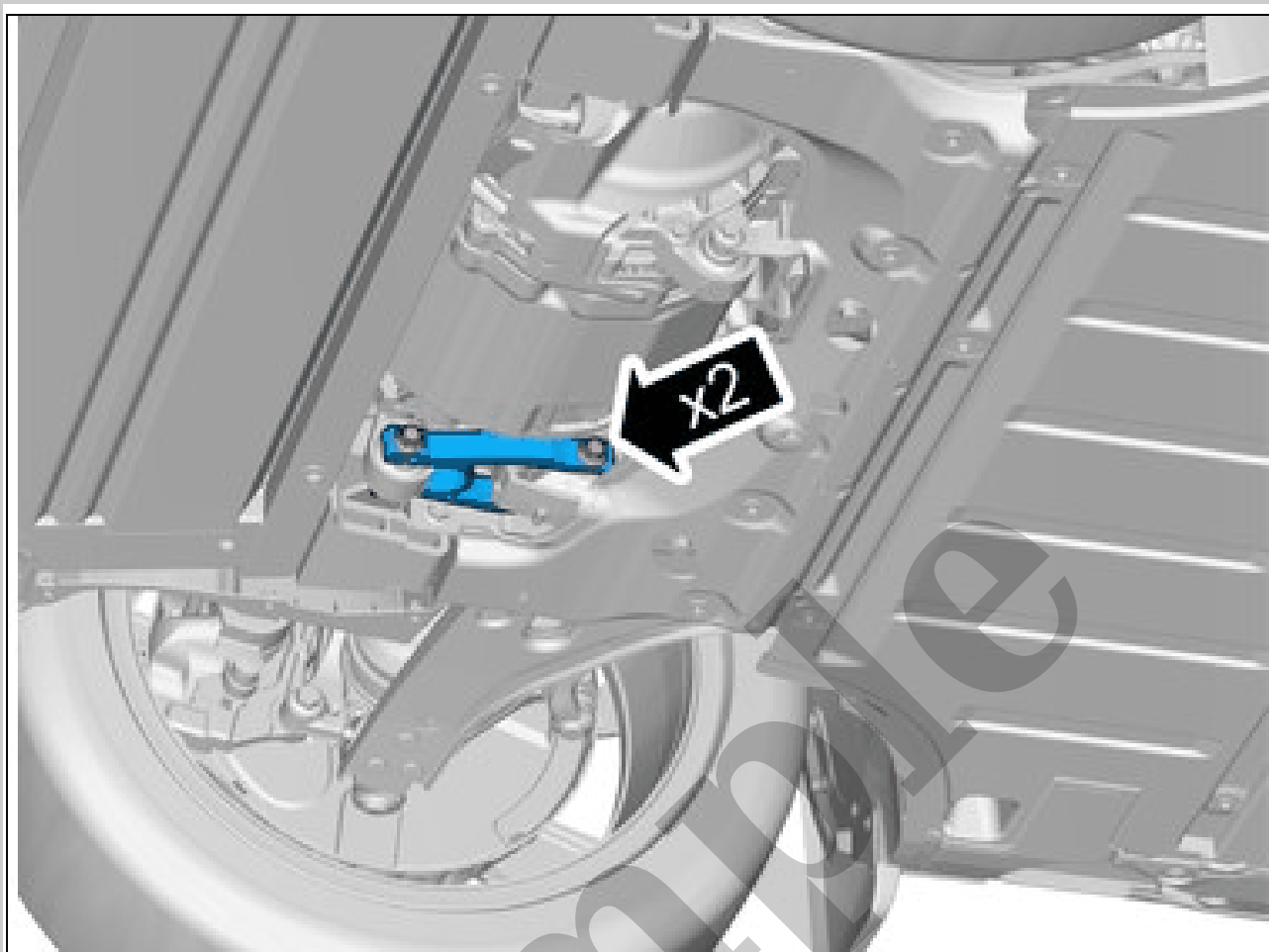
Courtesy of VOLVO CARS CORPORATION

Install the screws.
Install the clip(s).

ENGINE REAR LOWER SUPPORT INSULATOR RH > ENGINE REAR LOWER SUPPORT INSULATOR RH [2018-2019, B4204T18, TG-81SC AWD] > REMOVAL

NOTE: *Removal steps in this procedure may contain installation details.*

Follow instructions for lifting points body frame. Refer to: JACKING POINTS BODY

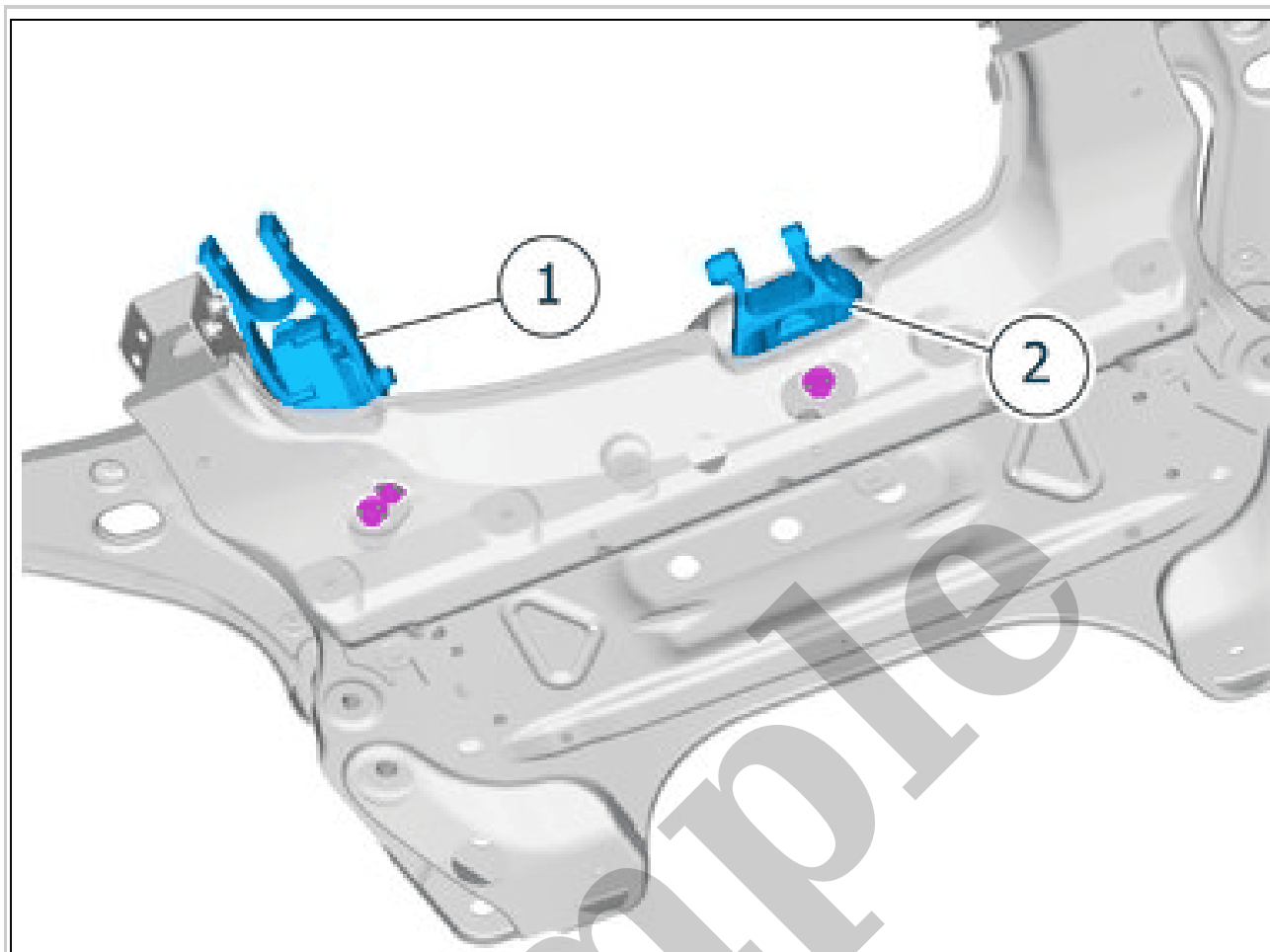


Courtesy of VOLVO CARS CORPORATION

Remove the screws.

Remove the marked part.

Torque: Lower torque rod rear right, to Engine mount bracket, 110Nm



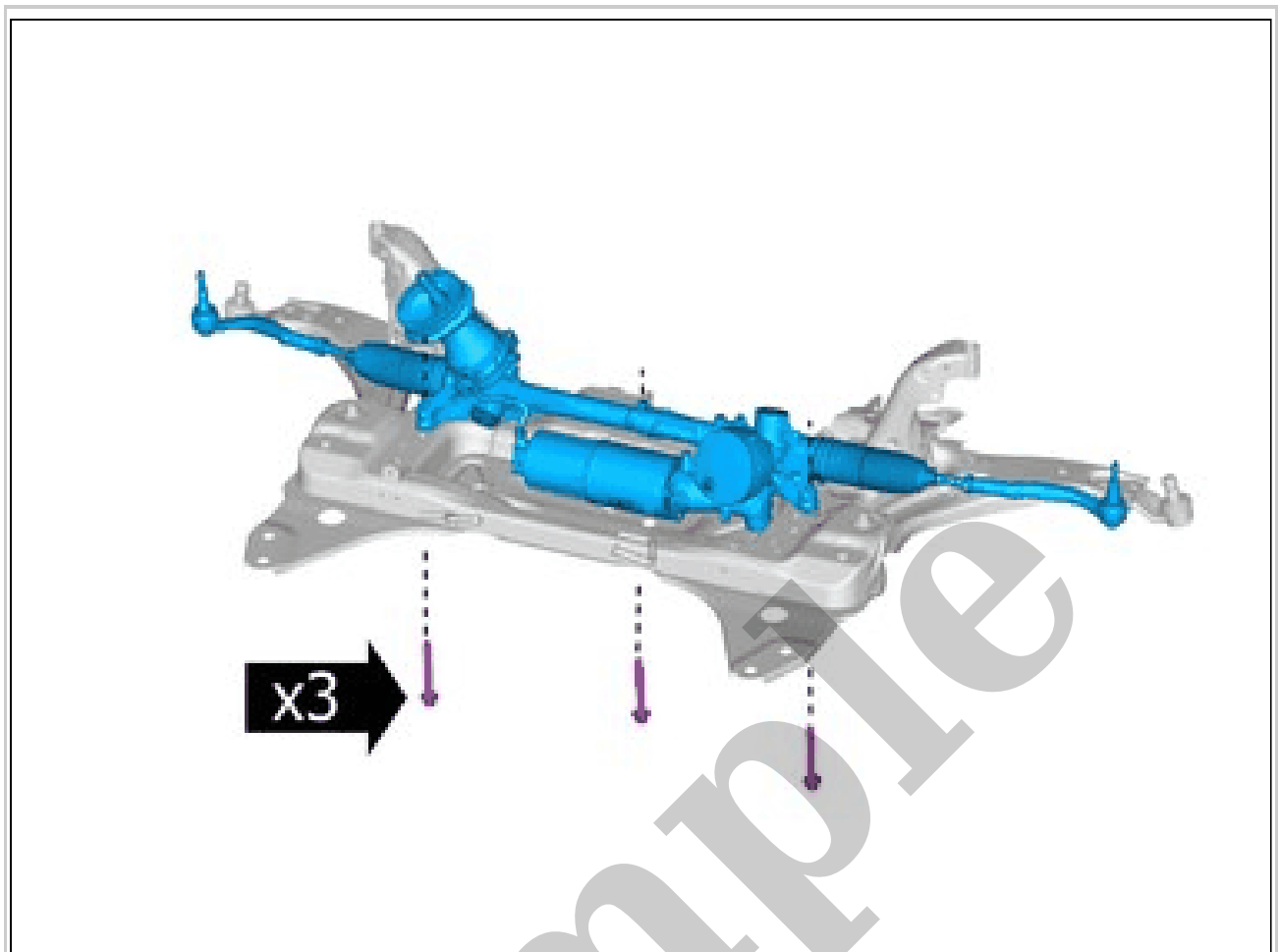
Courtesy of VOLVO CARS CORPORATION

Remove the screws.

Remove the marked parts.

1. **Torque:** Lower torque rod rear right, to subframe
 1. Stage 1: 90Nm
 2. Stage 2: 120°

2. **Torque:** Lower torque rod rear left, to subframe
 1. Stage 1: 90Nm
 2. Stage 2: 120°



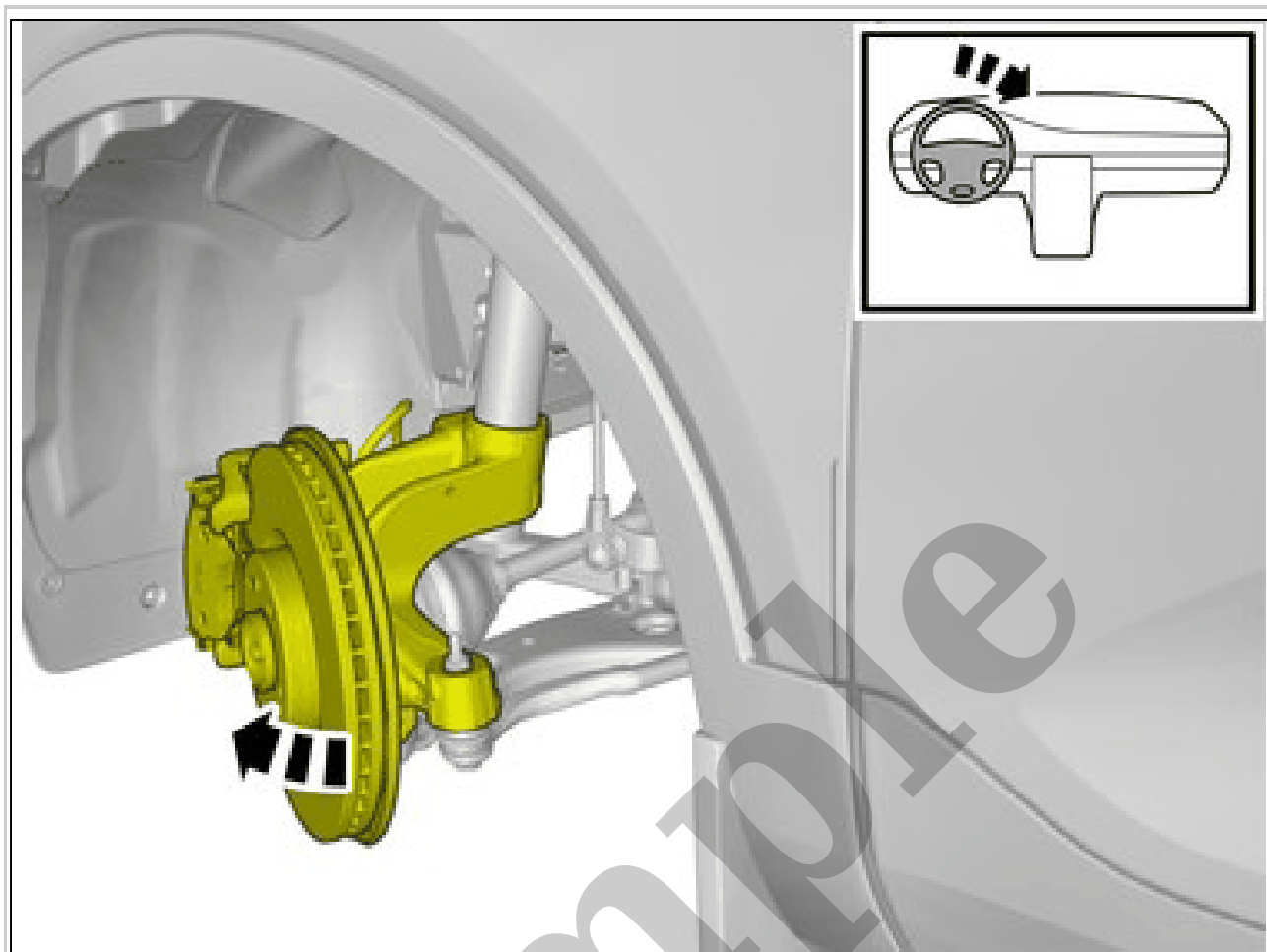
Courtesy of VOLVO CARS CORPORATION

Remove the screws.

Remove the marked part.

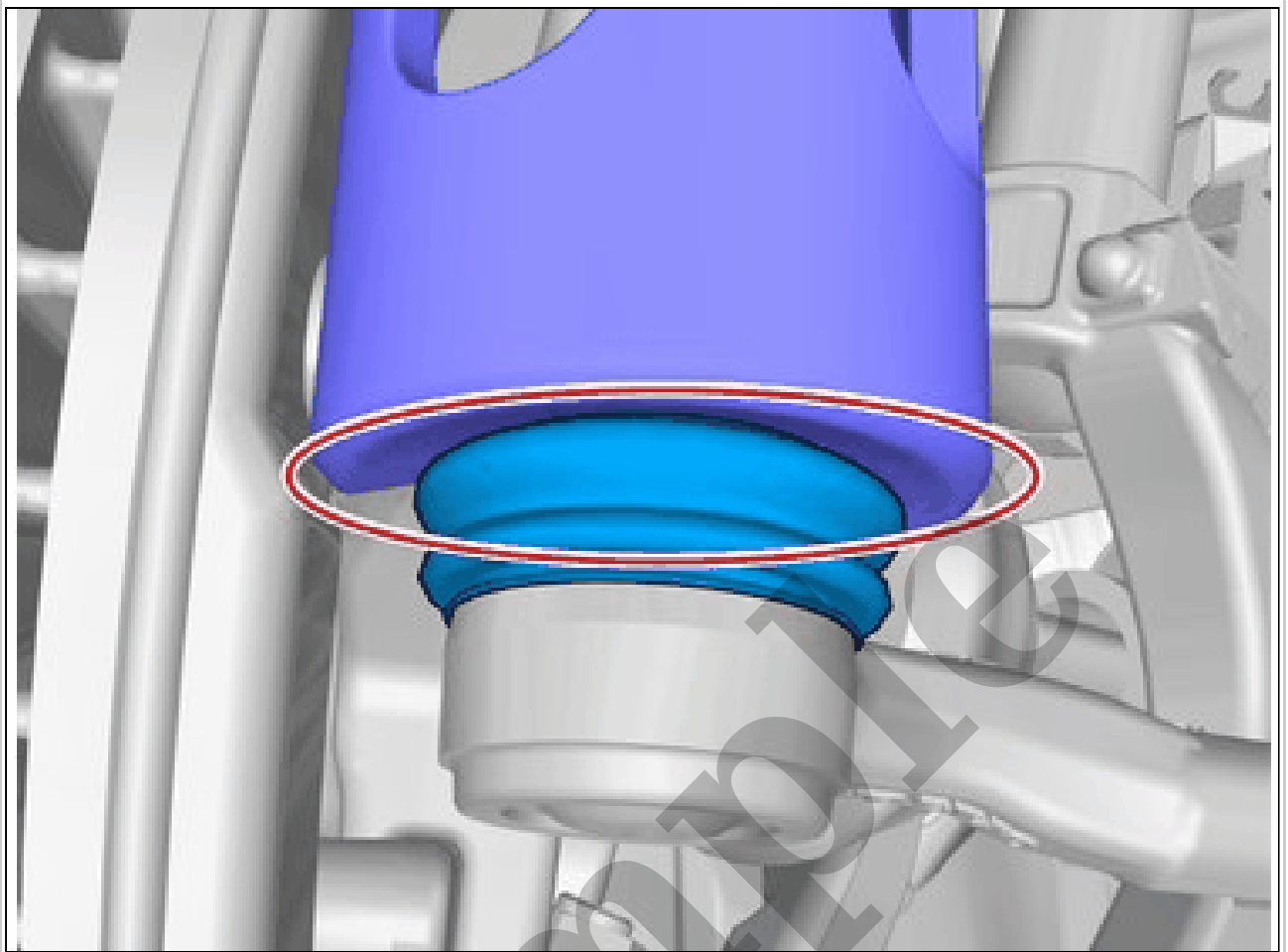
Torque: Steering gear to subframe

- Stage 1: 90Nm
- Stage 2: 90°



Courtesy of VOLVO CARS CORPORATION

Sample



Courtesy of VOLVO CARS CORPORATION

CAUTION: *Take extra care not to damage the seal.*