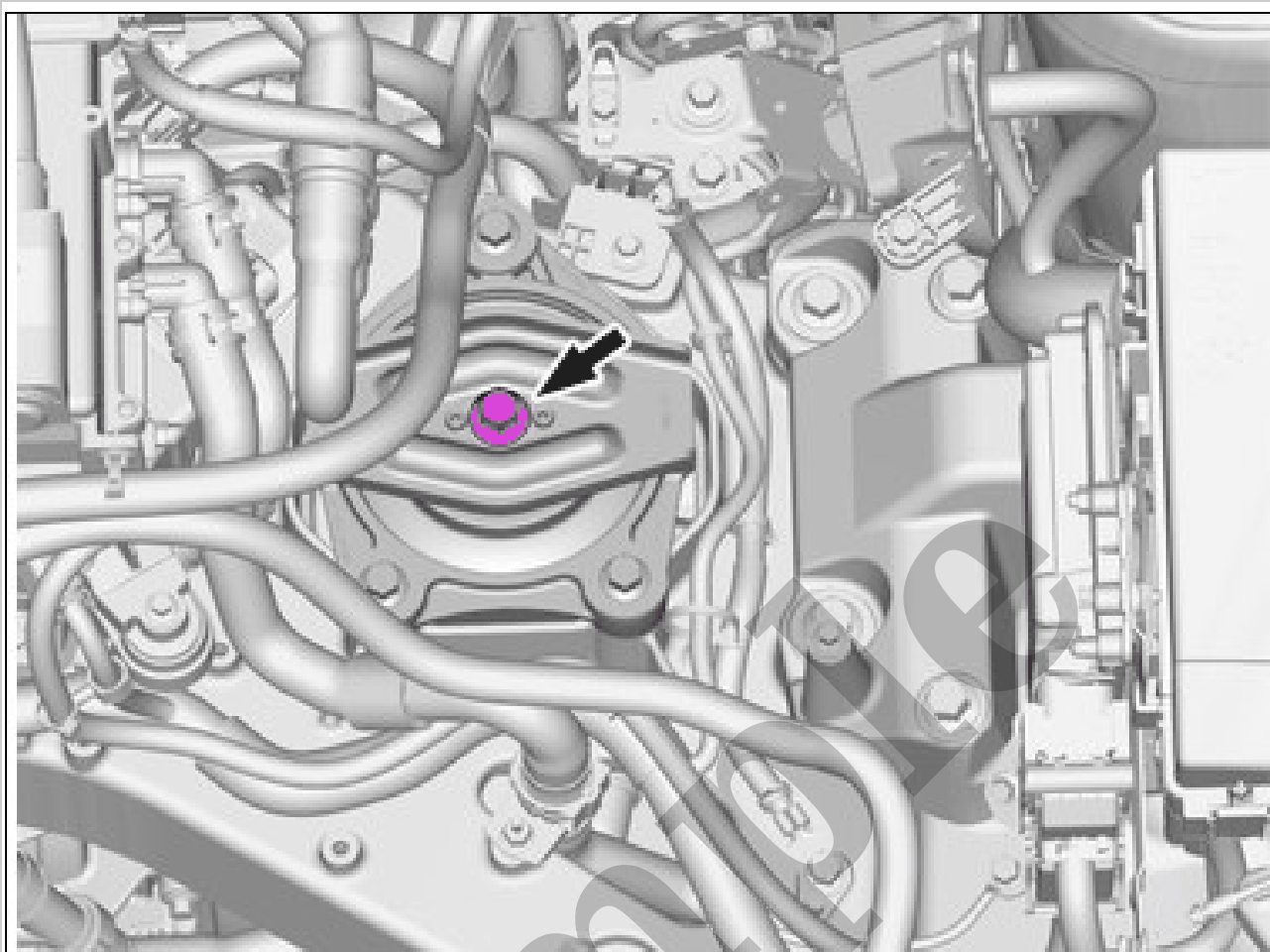


Your Ultimate Source for OEM Repair Manuals

FactoryManuals.net is a great resource for anyone who wants to save money on repairs by doing their own work. The manuals provide detailed instructions and diagrams that make it easy to understand how to fix a vehicle.

2017 Volvo V90 Service and Repair Manual

[Go to manual page](#)

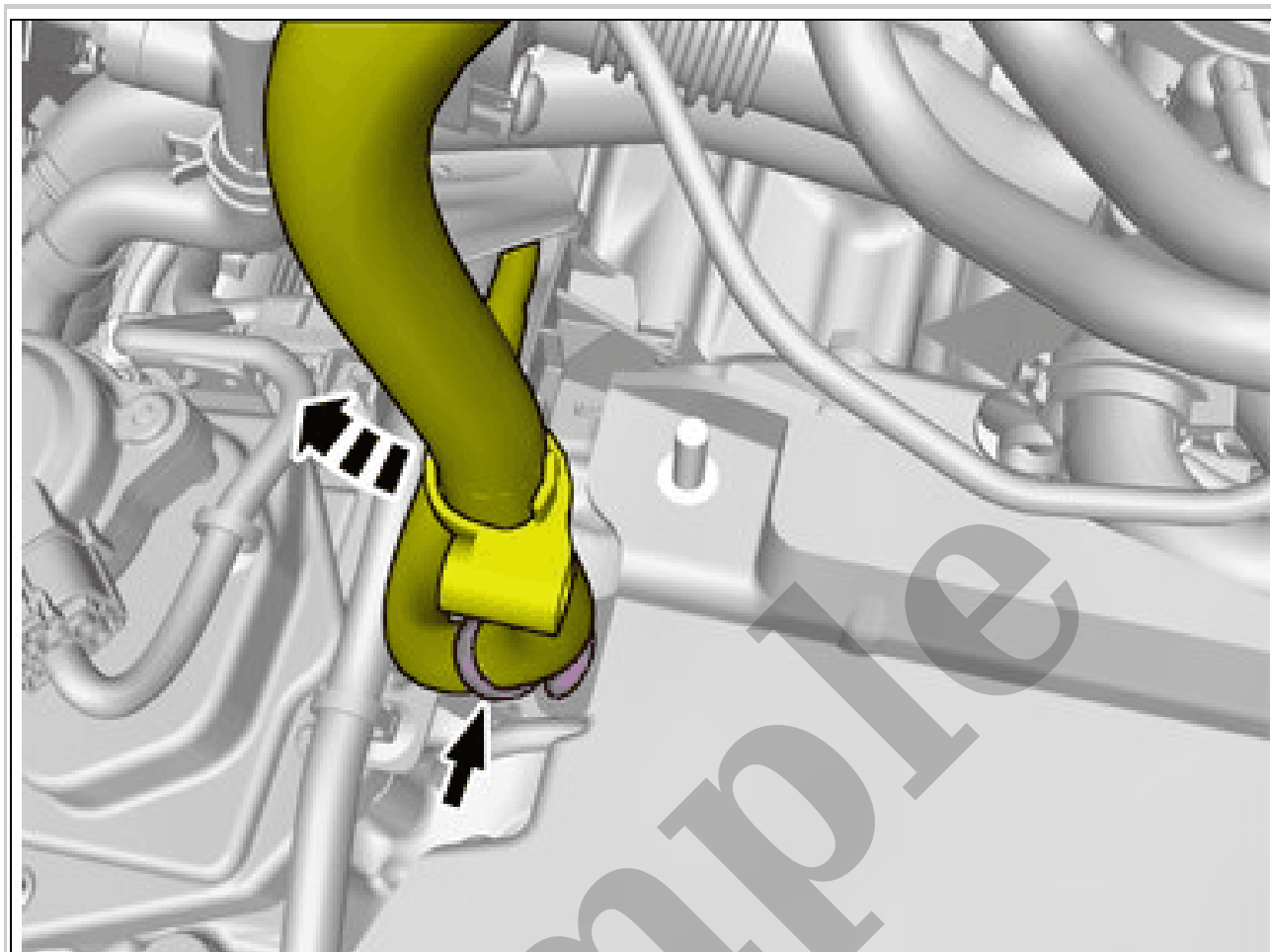


Courtesy of VOLVO CARS CORPORATION

Remove the screw.

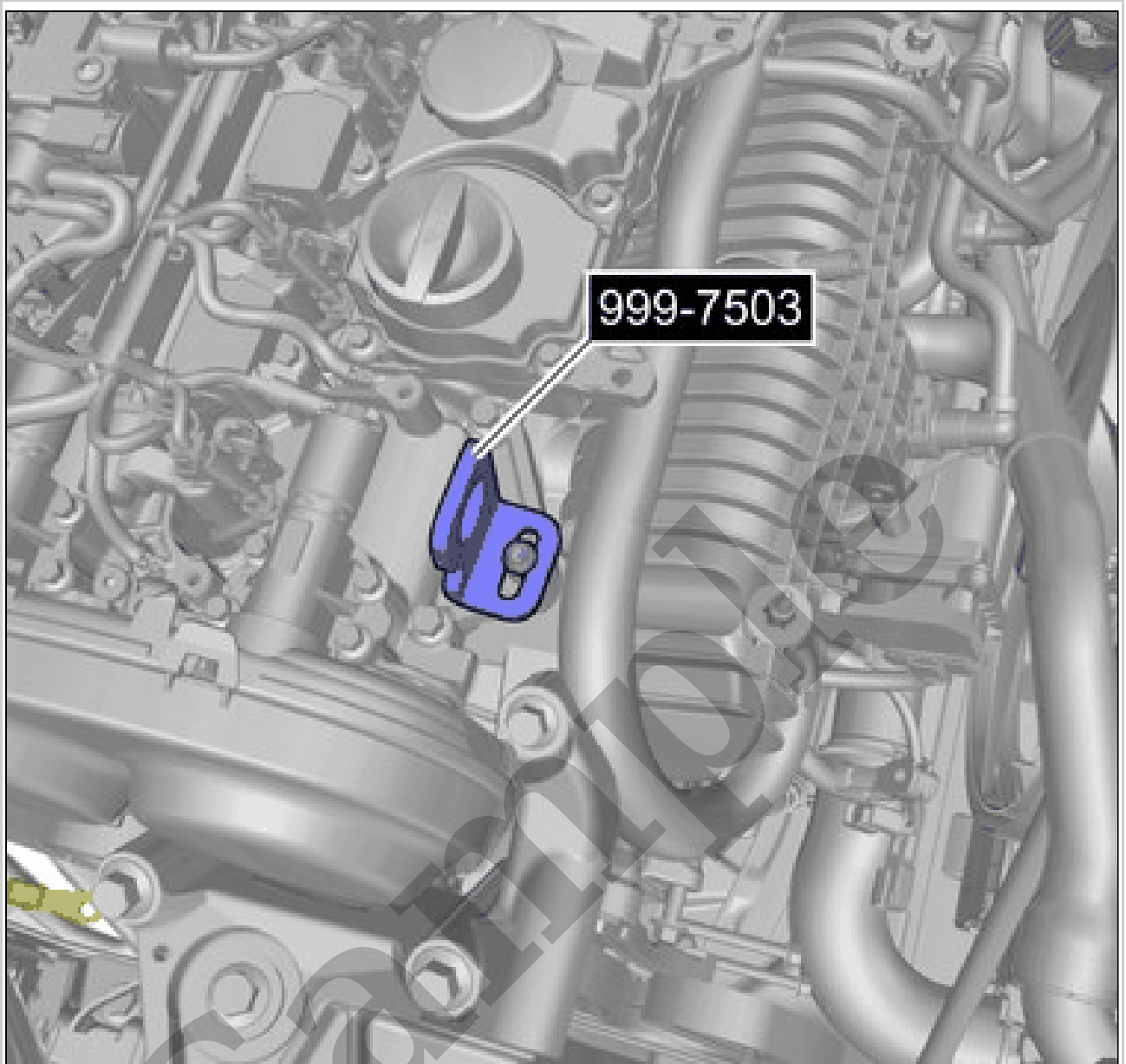
Torque: Engine pad to transmission bracket

- Stage 1: 90Nm
- Stage 2: 150°



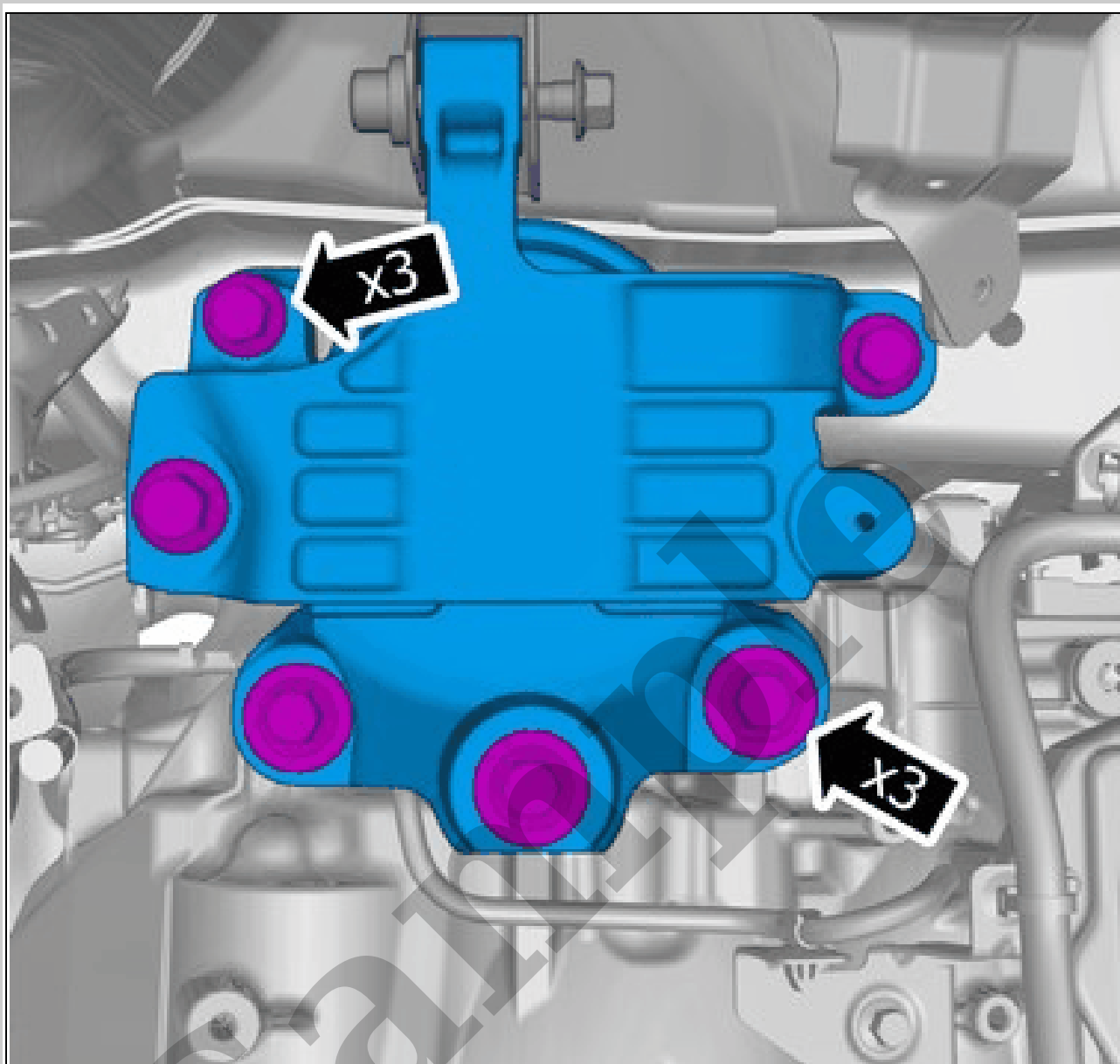
Courtesy of VOLVO CARS CORPORATION

Remove the cable harness clips.
Fold marked part aside.



Courtesy of VOLVO CARS CORPORATION

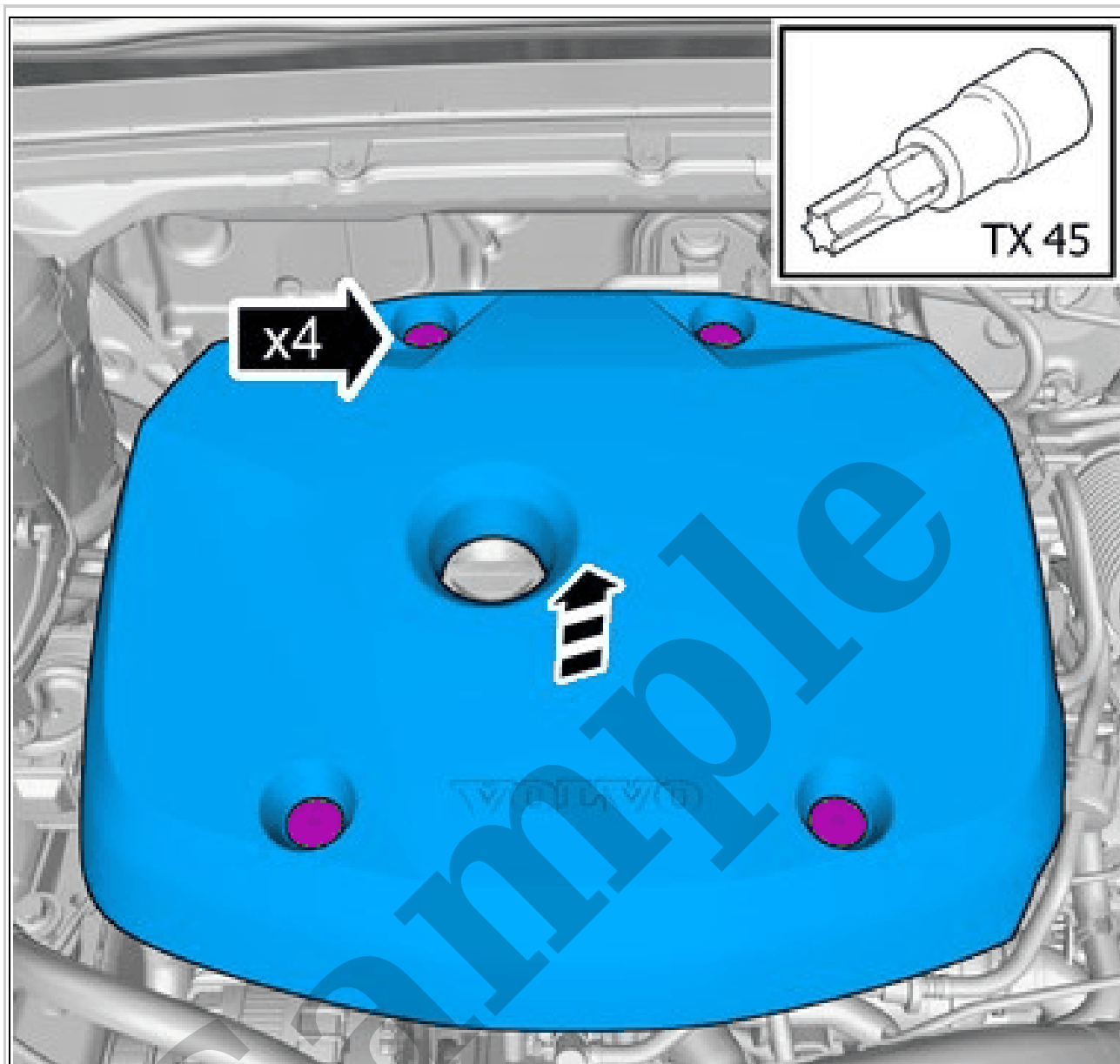
Special Tool: 999 7503 Lifting eye



Courtesy of VOLVO CARS CORPORATION

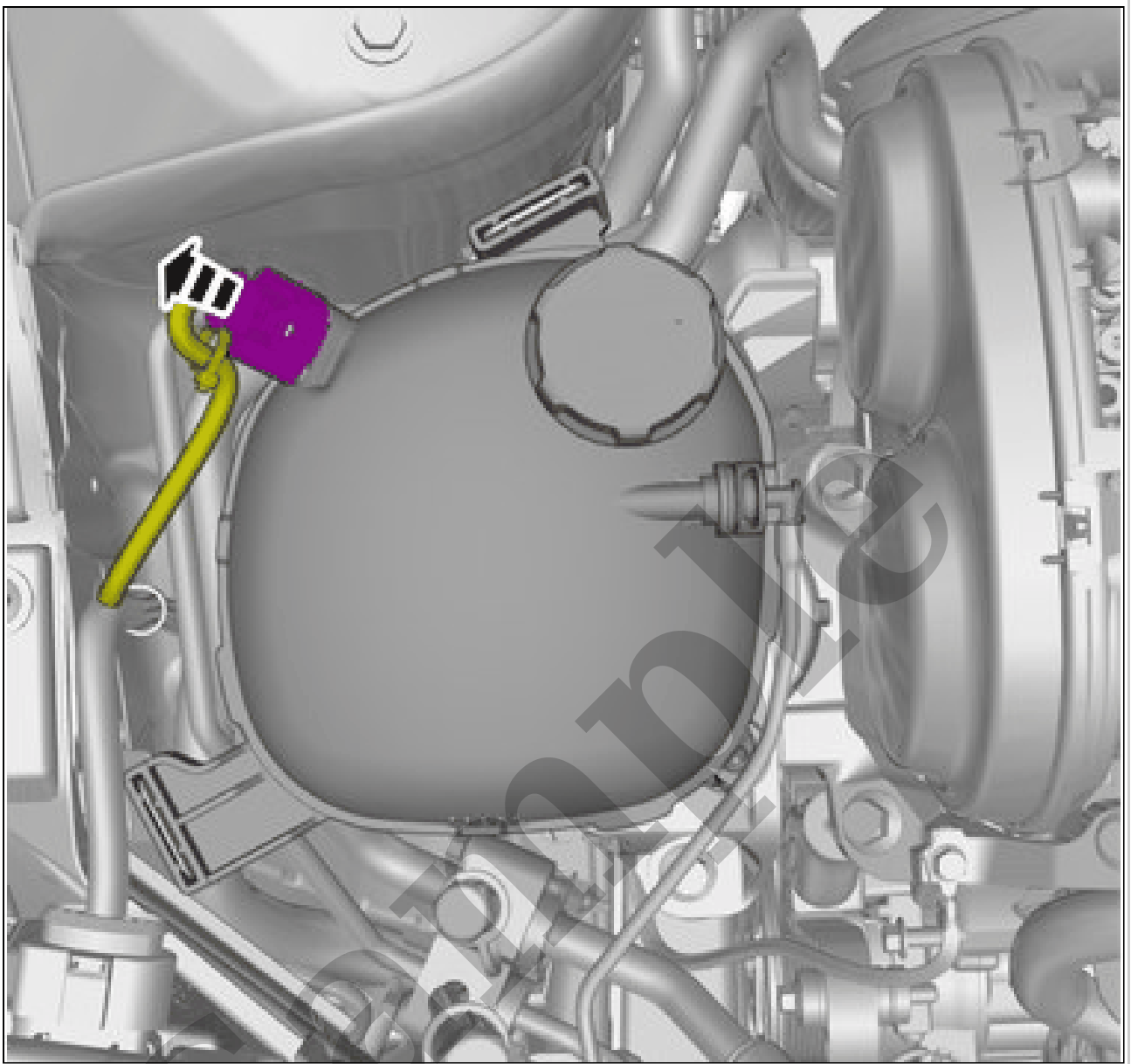
Remove the screws.
Remove the marked part.

ENGINE PAD LEFT > ENGINE PAD LEFT [2018-2022, B4204T18, TG-81SC AWD | 2019-2022, B4204T47, TG-81SC; TG-81SC AWD] > INSTALLATION



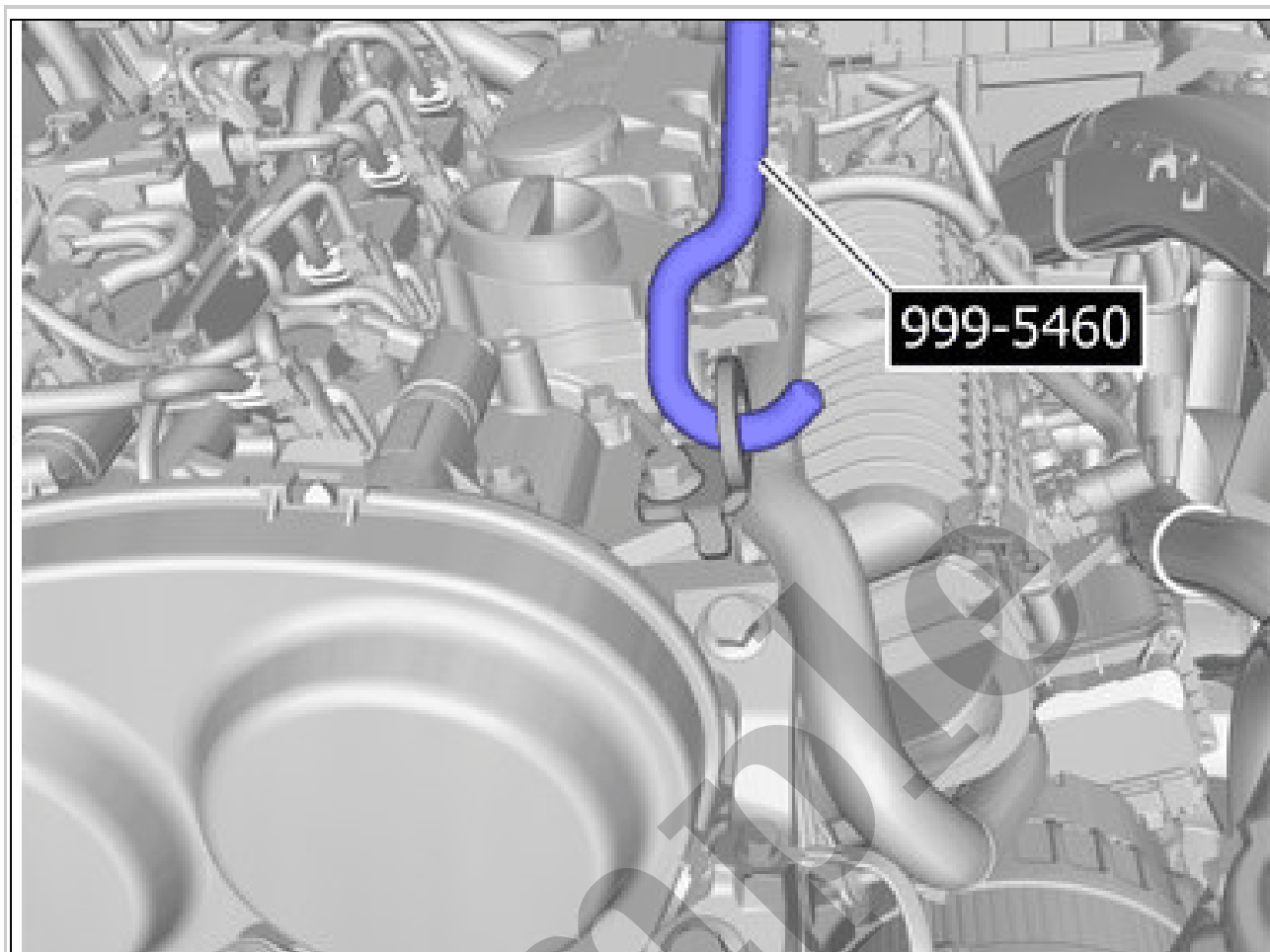
Courtesy of VOLVO CARS CORPORATION

Loosen the screws.
Remove the marked part.



Courtesy of VOLVO CARS CORPORATION

Disconnect the connector.
Fold marked part aside.



Courtesy of VOLVO CARS CORPORATION

Special Tool: 999 5460 Lifting hook

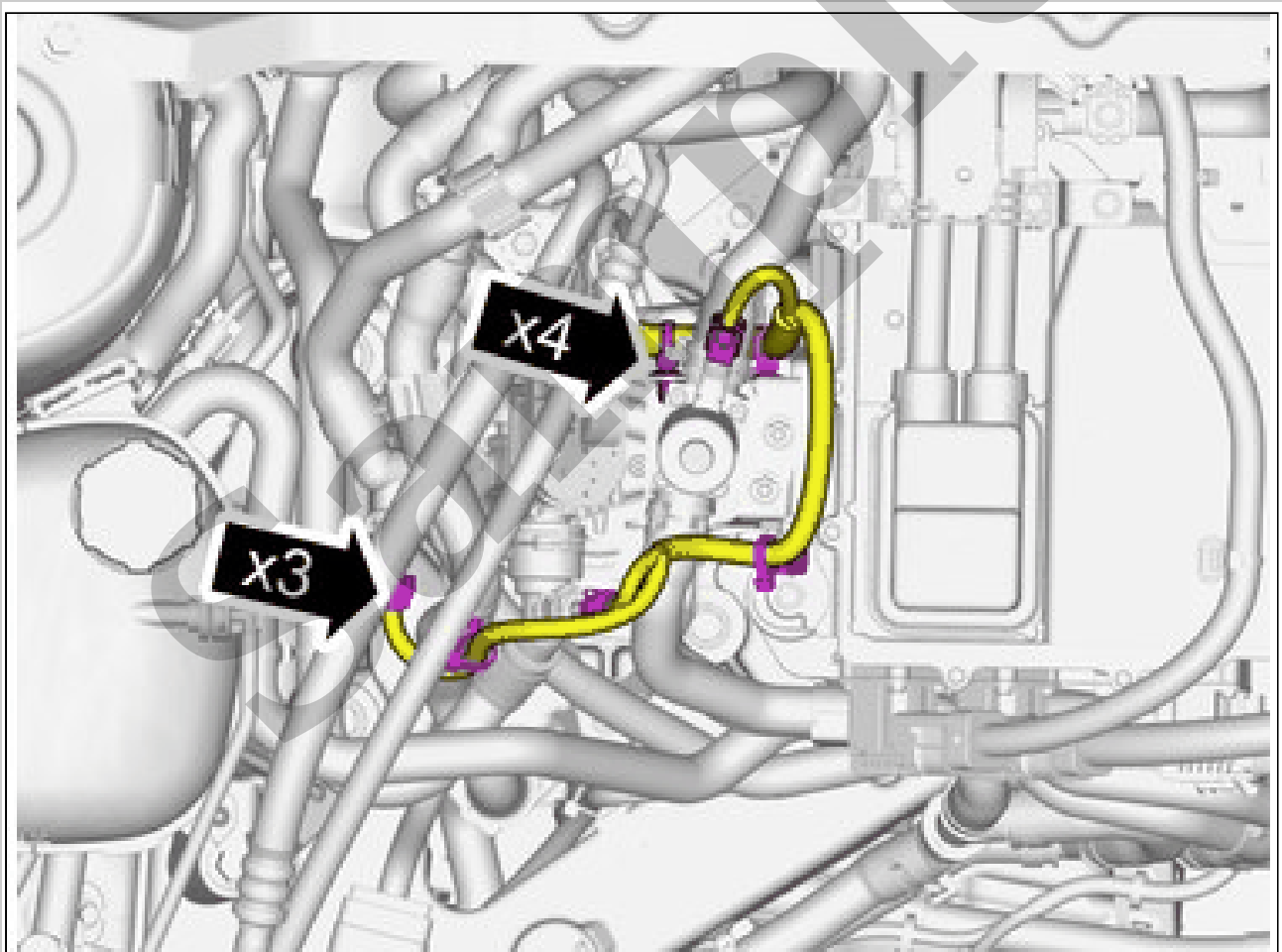
ENGINE PAD RIGHT > ENGINE PAD RIGHT [2018-2022, B4204T18, TG-81SC AWD | 2019-2022, B4204T47, TG-81SC; TG-81SC AWD] > INSTALLATION

To install, reverse the removal procedure.

ENGINE PAD RIGHT > ENGINE PAD RIGHT [2021-2022, E400V6, 1EDT AWD] > REMOVAL

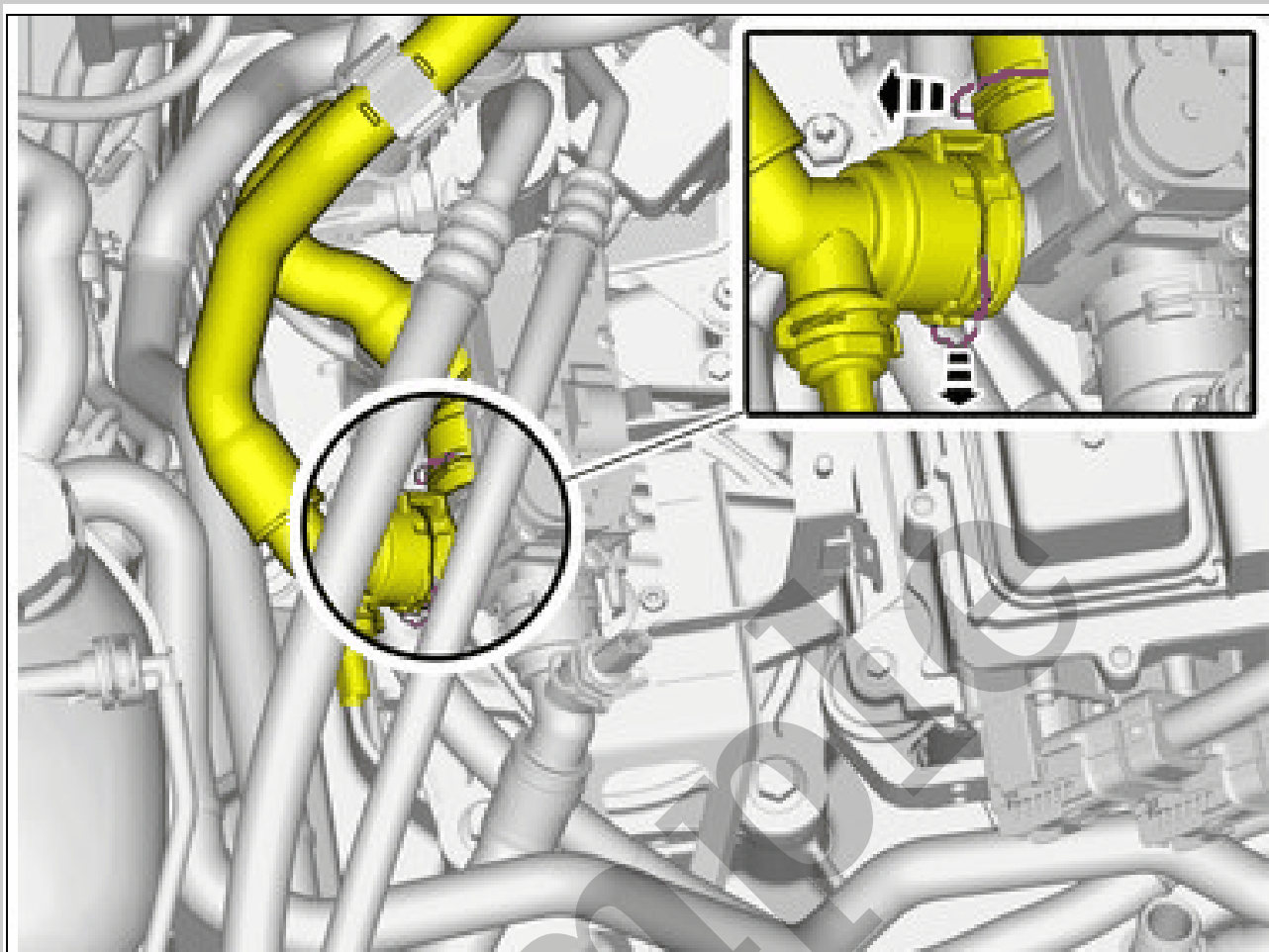
NOTE: Removal steps in this procedure may contain installation details.

Remove luggage compartment, front. Refer to: LUGGAGE COMPARTMENT, FRONT
Drain cooling system electric powertrain, draining, filling, and bleeding. Refer to: ELECTRIC DRIVETRAIN COOLING SYSTEM, DRAINING, FILLING, AND BLEEDING



Courtesy of VOLVO CARS CORPORATION

Remove the cable harness clips.
Disconnect the connectors.
Fold marked part aside.



Courtesy of VOLVO CARS CORPORATION

Release the locks.
Undo the hoses from the connections.
Fold marked part aside.