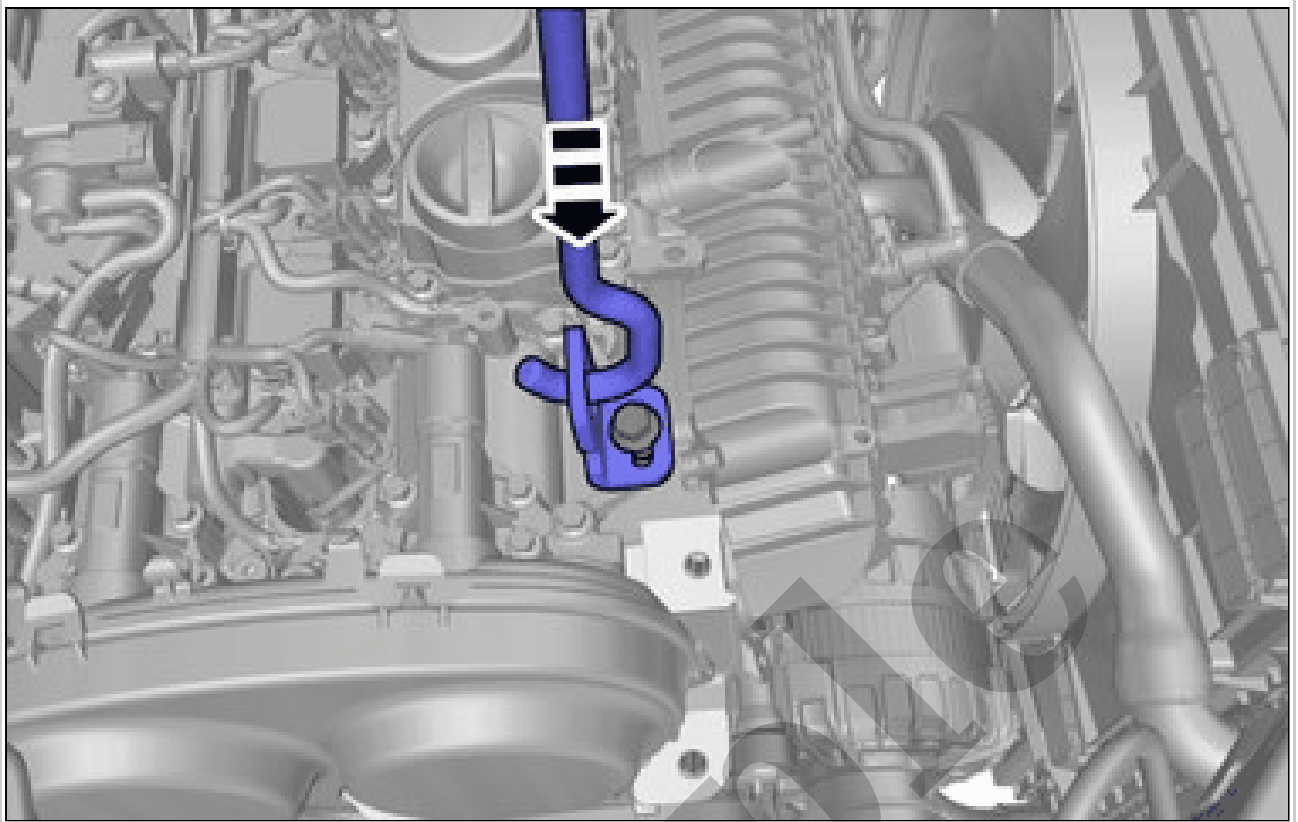


# Your Ultimate Source for OEM Repair Manuals

FactoryManuals.net is a great resource for anyone who wants to save money on repairs by doing their own work. The manuals provide detailed instructions and diagrams that make it easy to understand how to fix a vehicle.

## 2017 Volvo V90 Cross Country Service and Repair Manual

[Go to manual page](#)



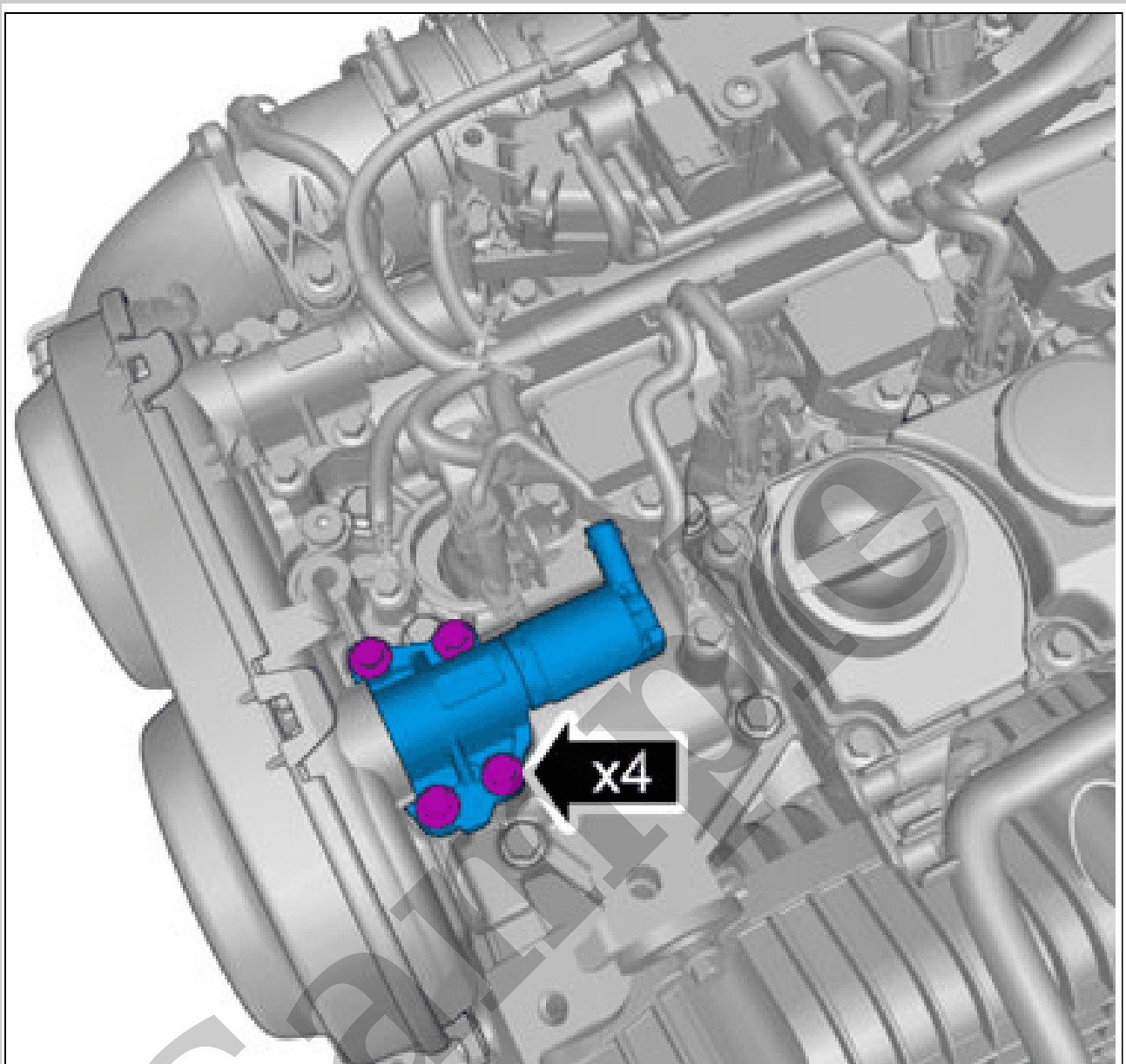
Courtesy of VOLVO CARS CORPORATION

Lower to suitable height.



Courtesy of VOLVO CARS CORPORATION

Install the marked component.  
Install the screws.  
Use hands only.

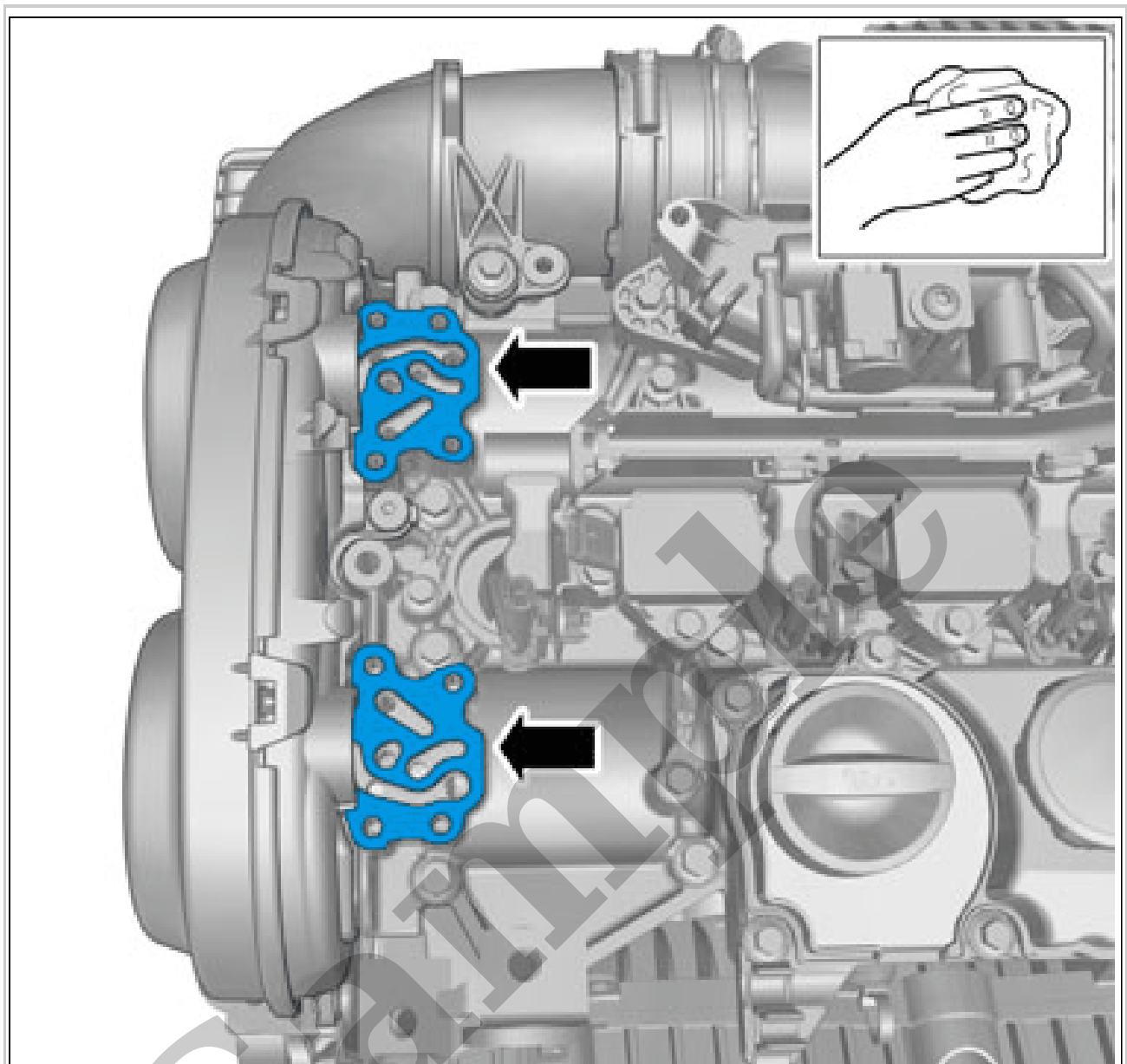


Courtesy of VOLVO CARS CORPORATION

**CAUTION:** Make sure that the area around the component is clean and free of foreign material.

Remove the screws.

**Torque:** M6, 10Nm



Courtesy of VOLVO CARS CORPORATION

**CAUTION:** Make sure that the surface is clean and free of foreign material.

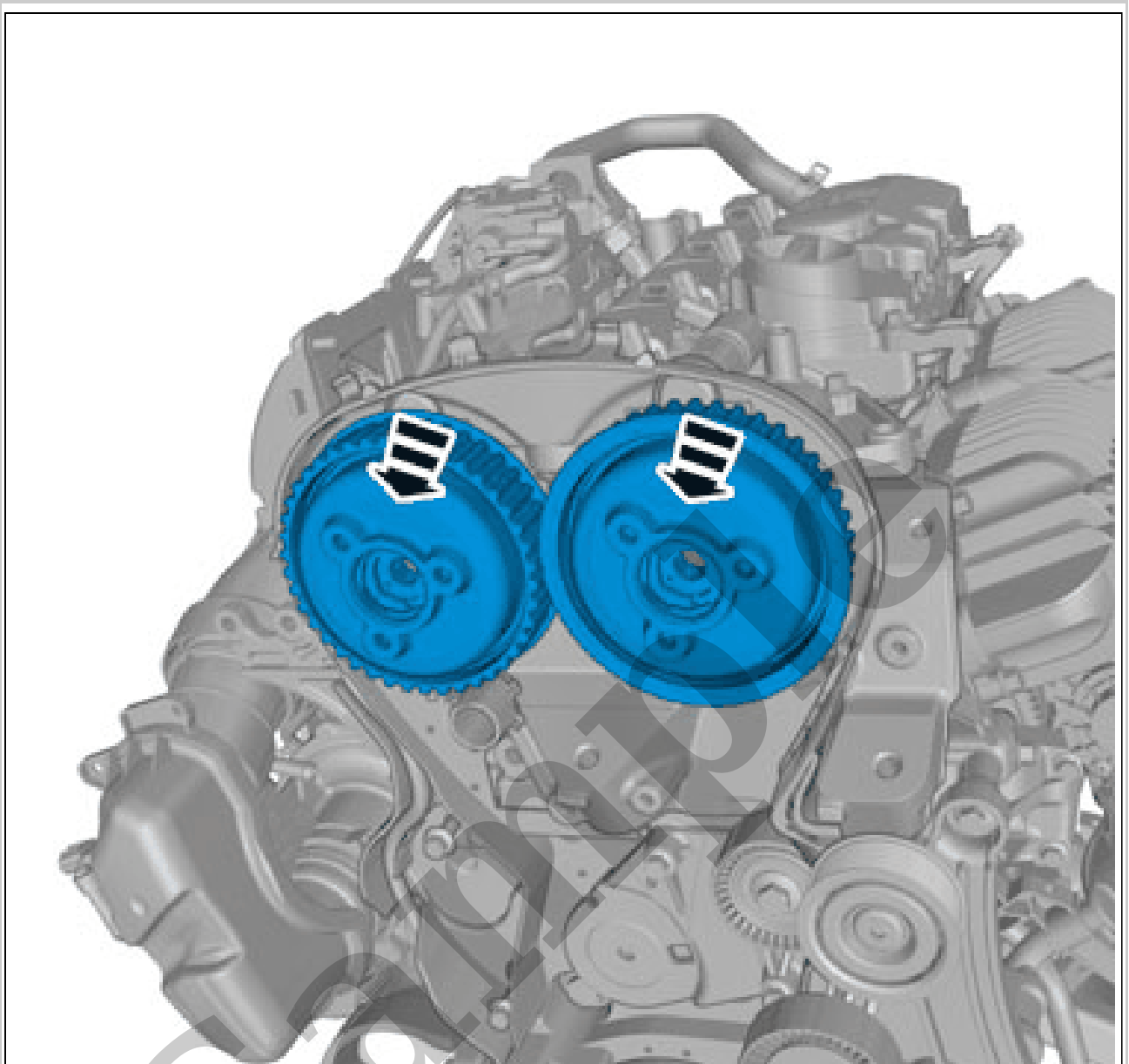
**Use:** Isopropanol, 1161721

#### **INSTALLATION**

To install, reverse the removal procedure.

## **VVT UNIT > VVT UNIT [2018-2022, B4204T18 | 2019-2022, B4204T47] > REMOVAL AND INSTALLATION**

### **REMOVAL**

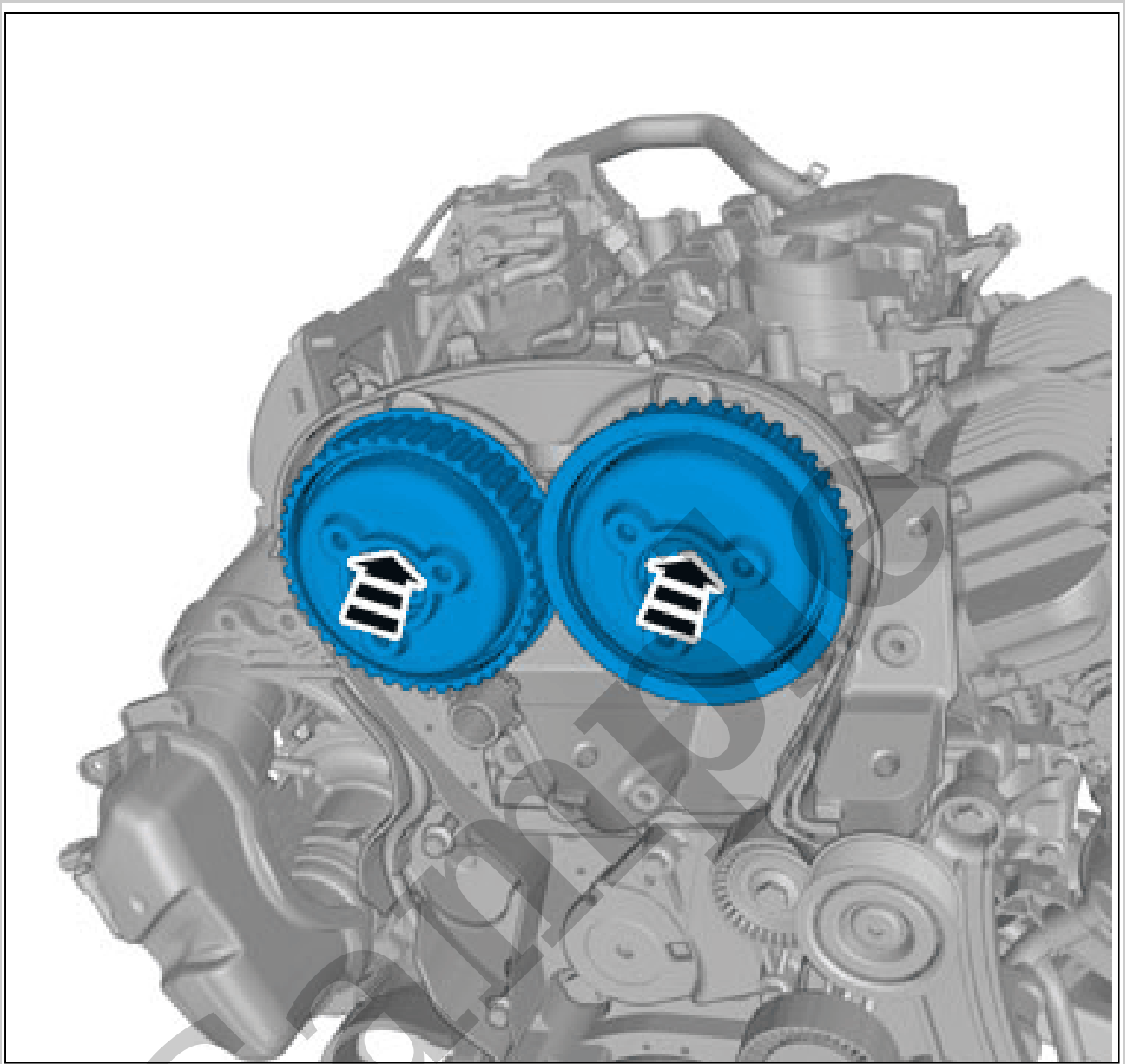


Courtesy of VOLVO CARS CORPORATION

**WARNING:** *Be prepared to collect escaping fluid.*

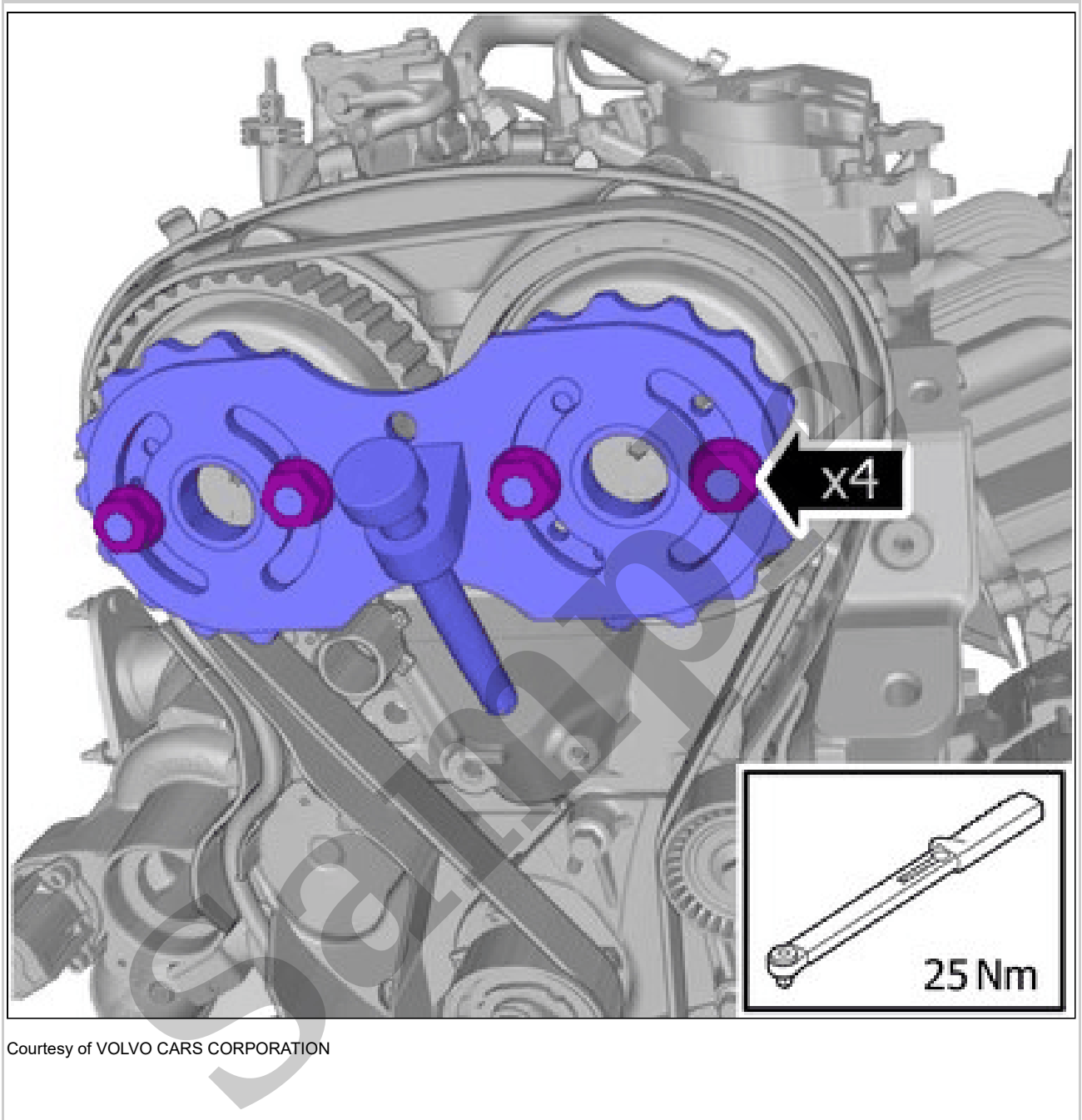
**CAUTION:** *Note the location of the component before removal.*

Remove vacuum pump brake booster. Refer to: VACUUM PUMP, BRAKE BOOSTER



Courtesy of VOLVO CARS CORPORATION

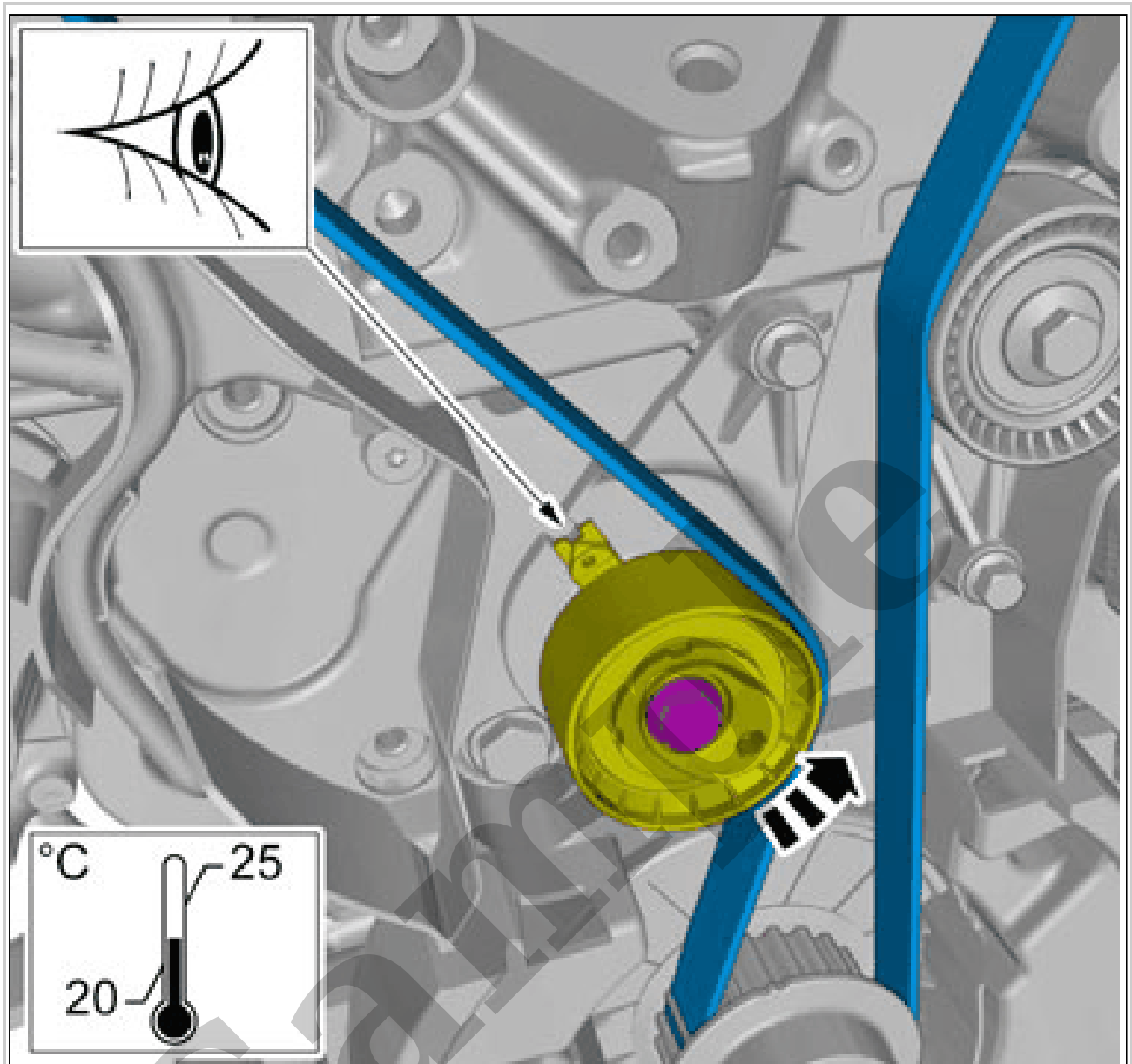
**Torque: M8, 24Nm**  
**INSTALLATION**



Courtesy of VOLVO CARS CORPORATION

Tighten the nuts.

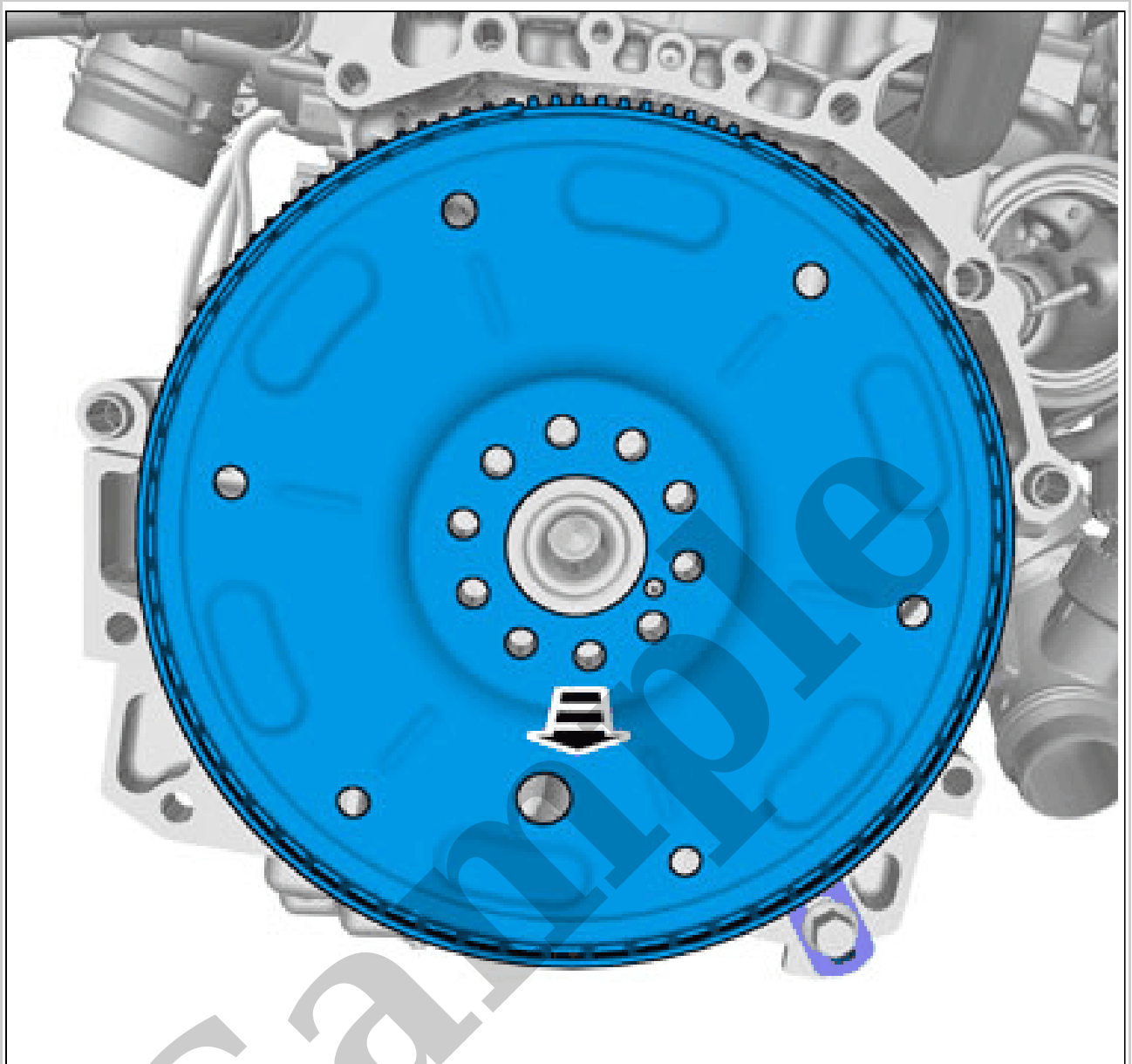




Courtesy of VOLVO CARS CORPORATION

**NOTE:** Make sure that the belt tensioner is aligned to the belt tensioner bracket.

Adjust to the specified value.



Courtesy of VOLVO CARS CORPORATION

Remove the marked part.

**CARRIER PLATE > CARRIER PLATE [2018-2022, B4204T18, TG-81SC AWD | 2019-2022, B4204T47, TG-81SC; TG-81SC AWD] > INSTALLATION**