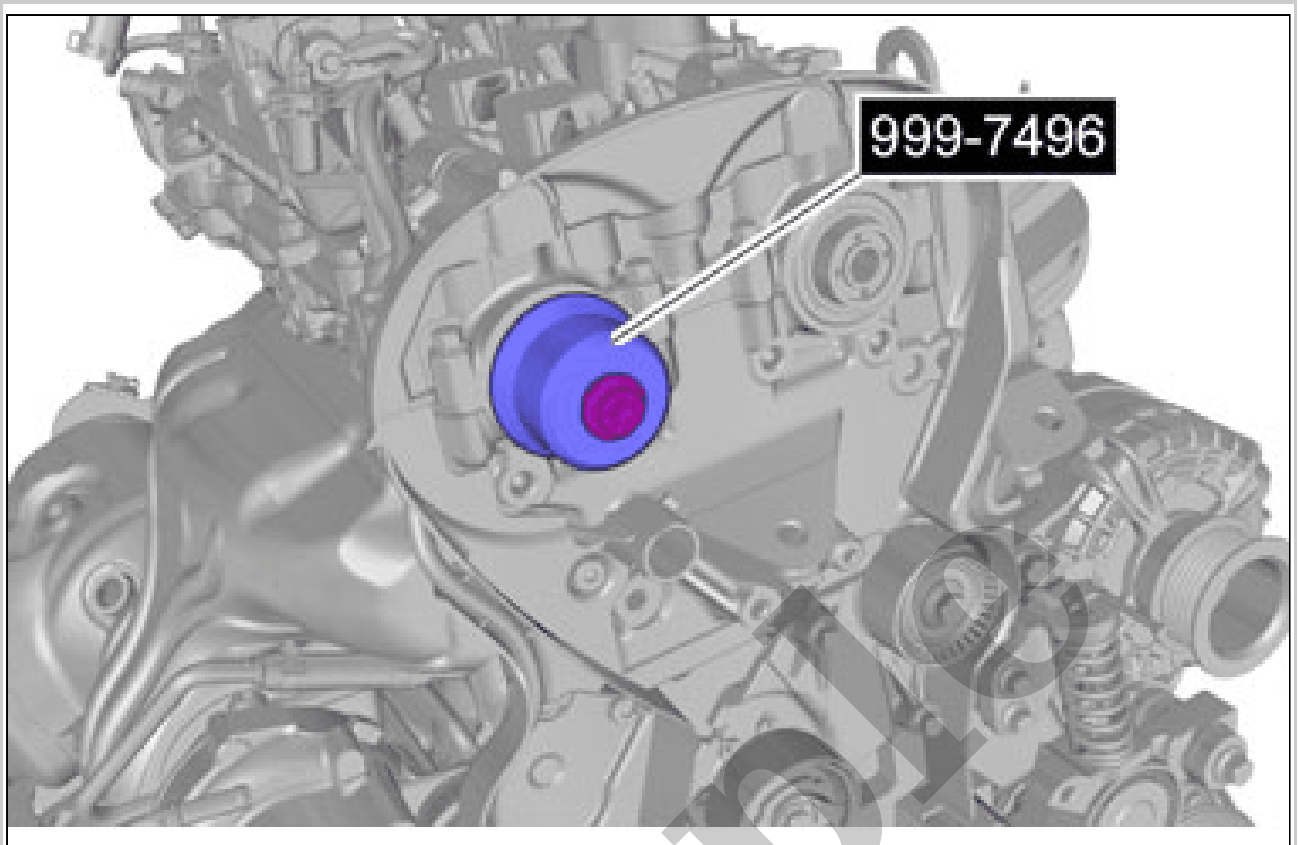


Your Ultimate Source for OEM Repair Manuals

FactoryManuals.net is a great resource for anyone who wants to save money on repairs by doing their own work. The manuals provide detailed instructions and diagrams that make it easy to understand how to fix a vehicle.

2017 VOLVO V90 Cross Country OEM Service and Repair Workshop Manual

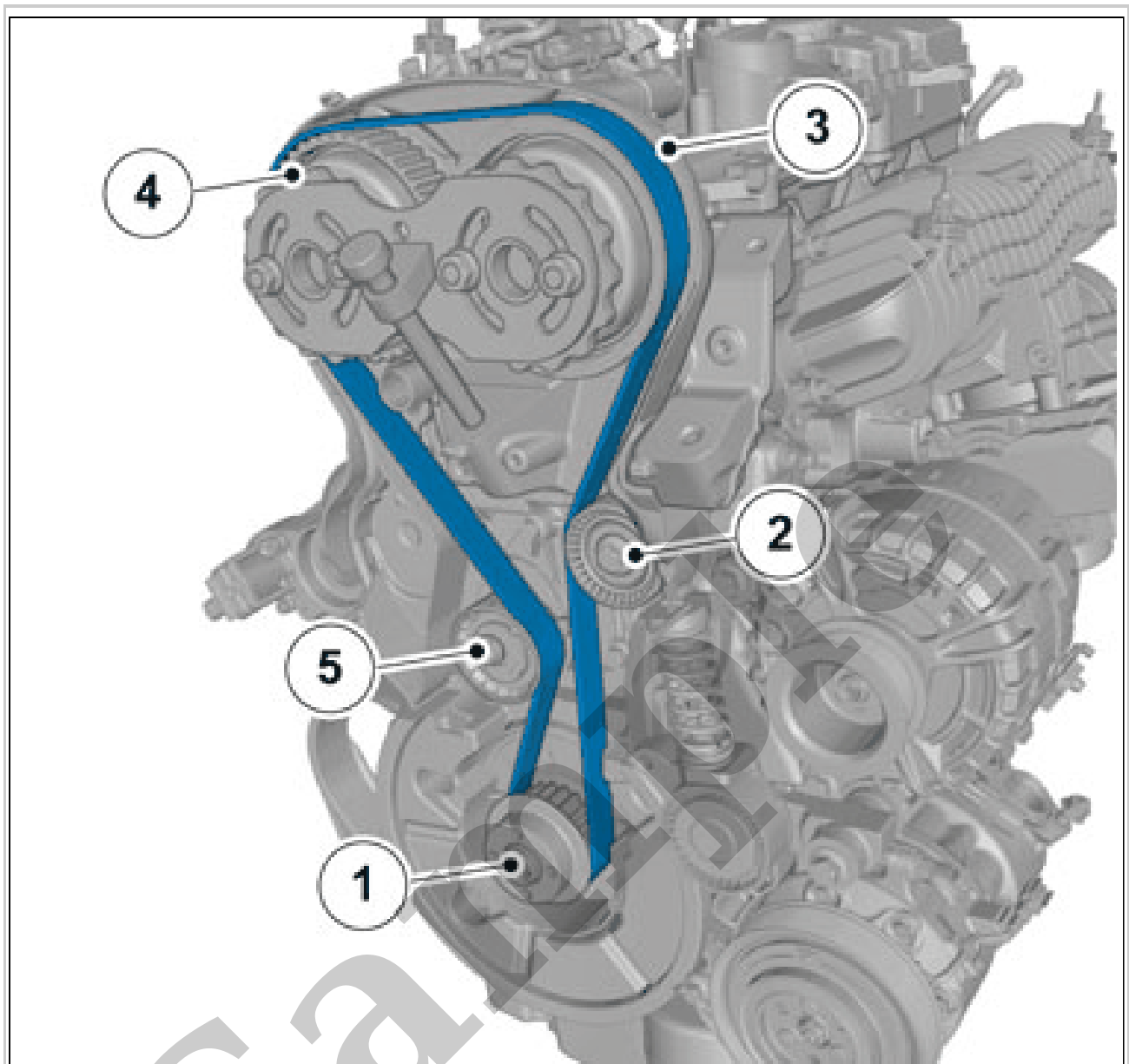
[Go to manual page](#)



Courtesy of VOLVO CARS CORPORATION

NOTE: Make sure to turn the component until stop.

Tighten the screw.

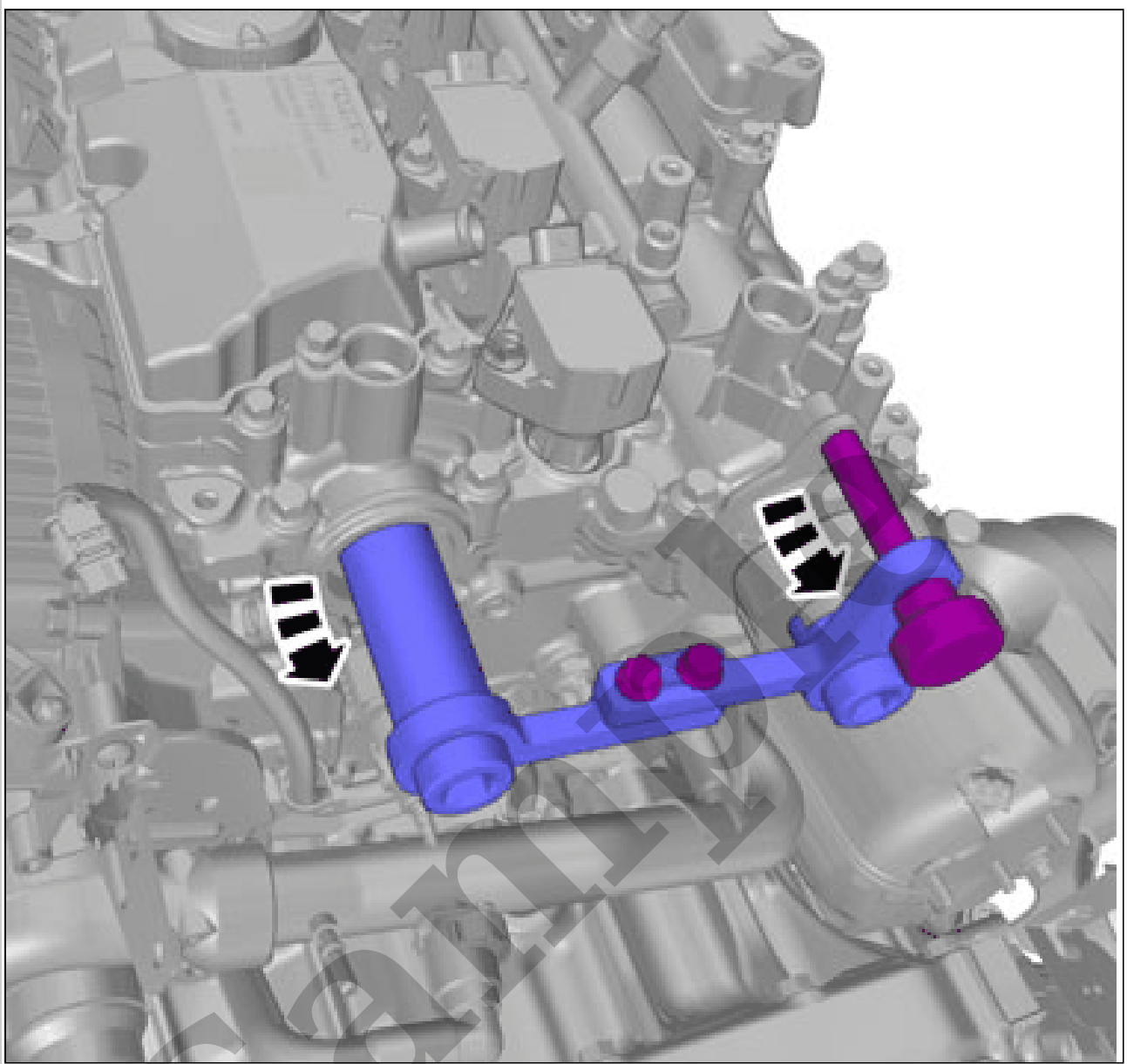


Courtesy of VOLVO CARS CORPORATION

NOTE: *The component can be reused unless it has been subjected to abnormal mechanical stress, damage or oil contamination.*

NOTE: *Make sure to follow the sequence indicated.*

BELT TENSIONER ADJUSTMENT



Courtesy of VOLVO CARS CORPORATION

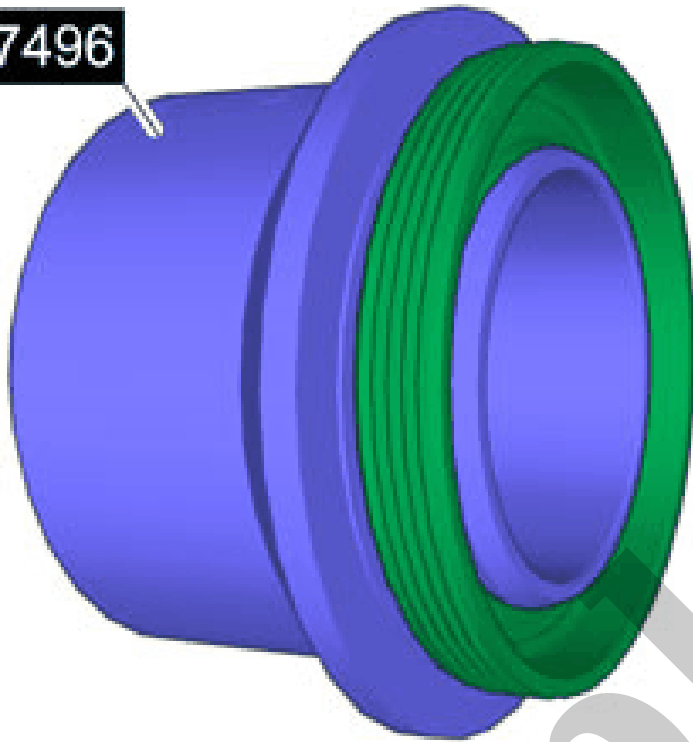
Remove the Special Tool.



Courtesy of VOLVO CARS CORPORATION

Install the marked component.
Install the screws.
Use hands only.

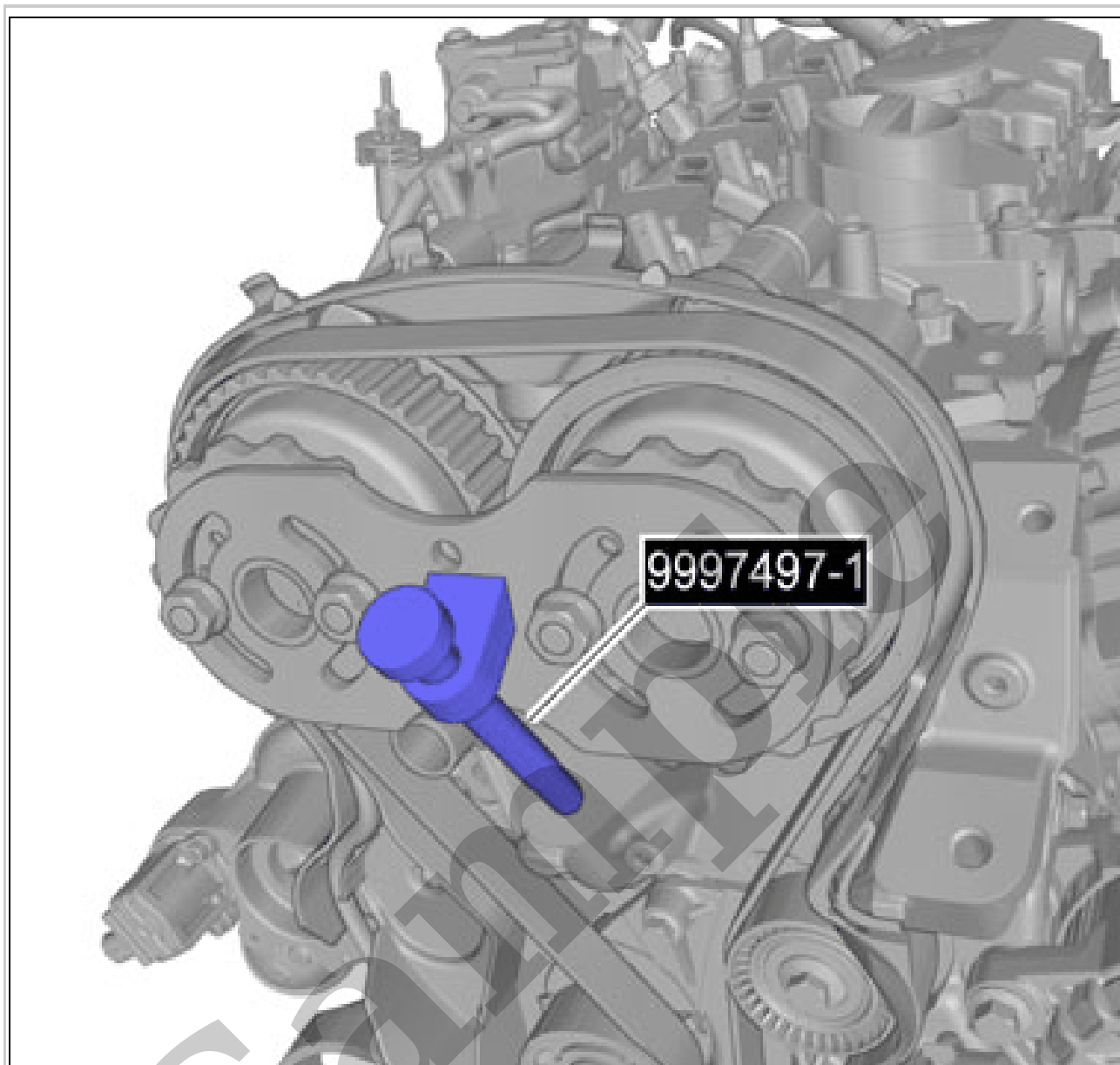
999-7496



Courtesy of VOLVO CARS CORPORATION

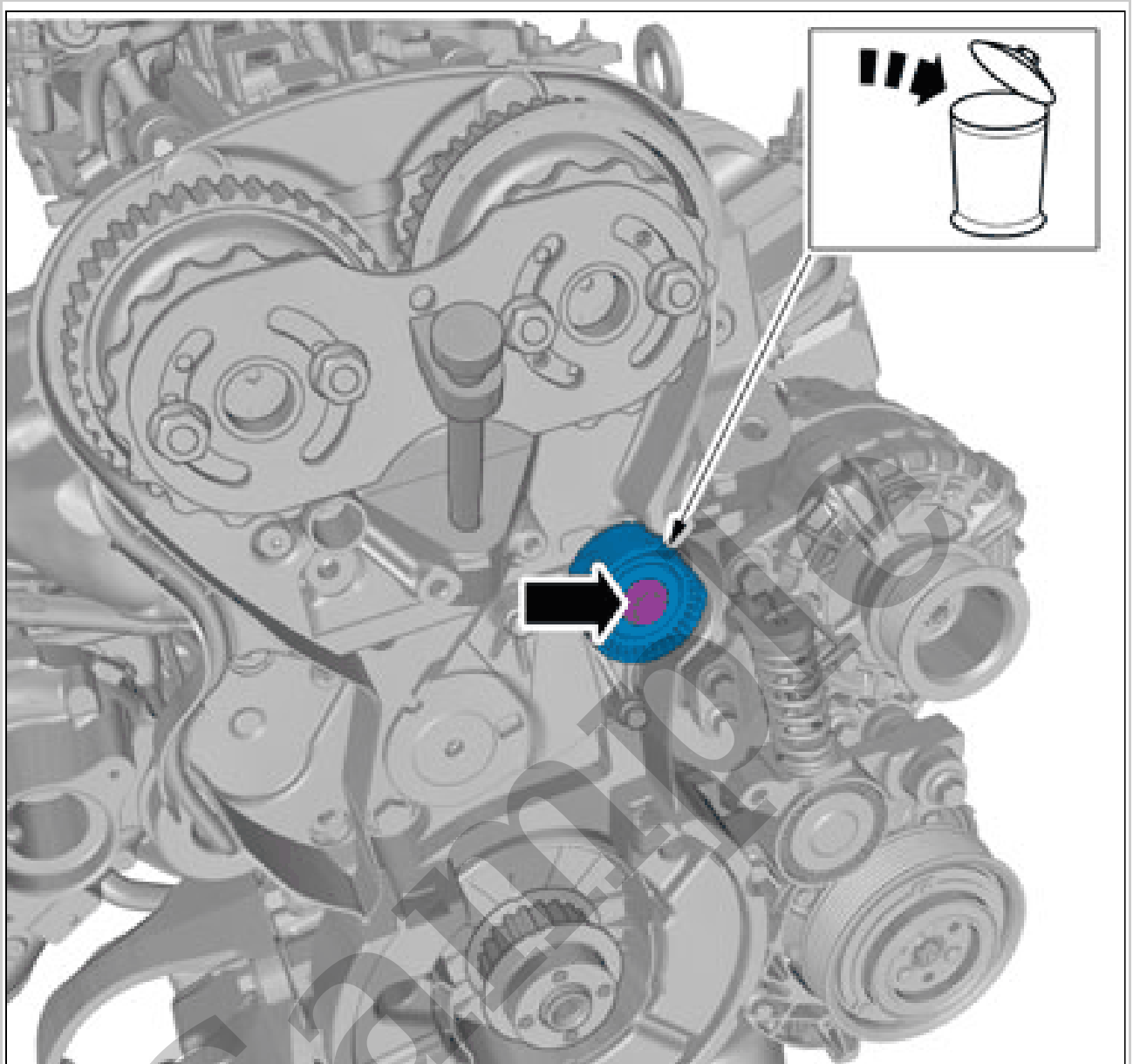
CAUTION: *Take extra care not to damage the seal.*

Special Tool: 999 7496 Drift



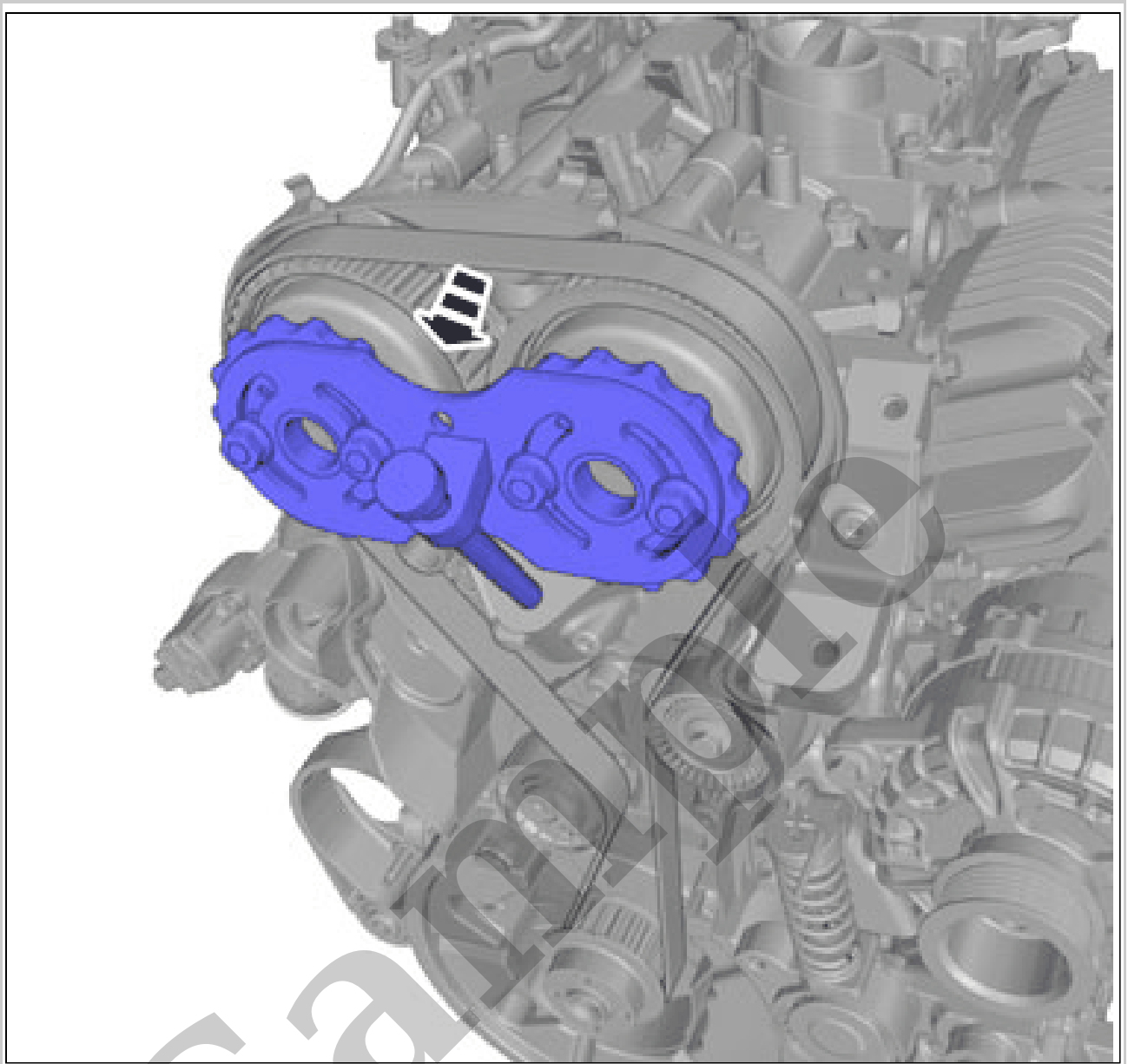
Courtesy of VOLVO CARS CORPORATION

Special Tool: 999 7497 Counterhold



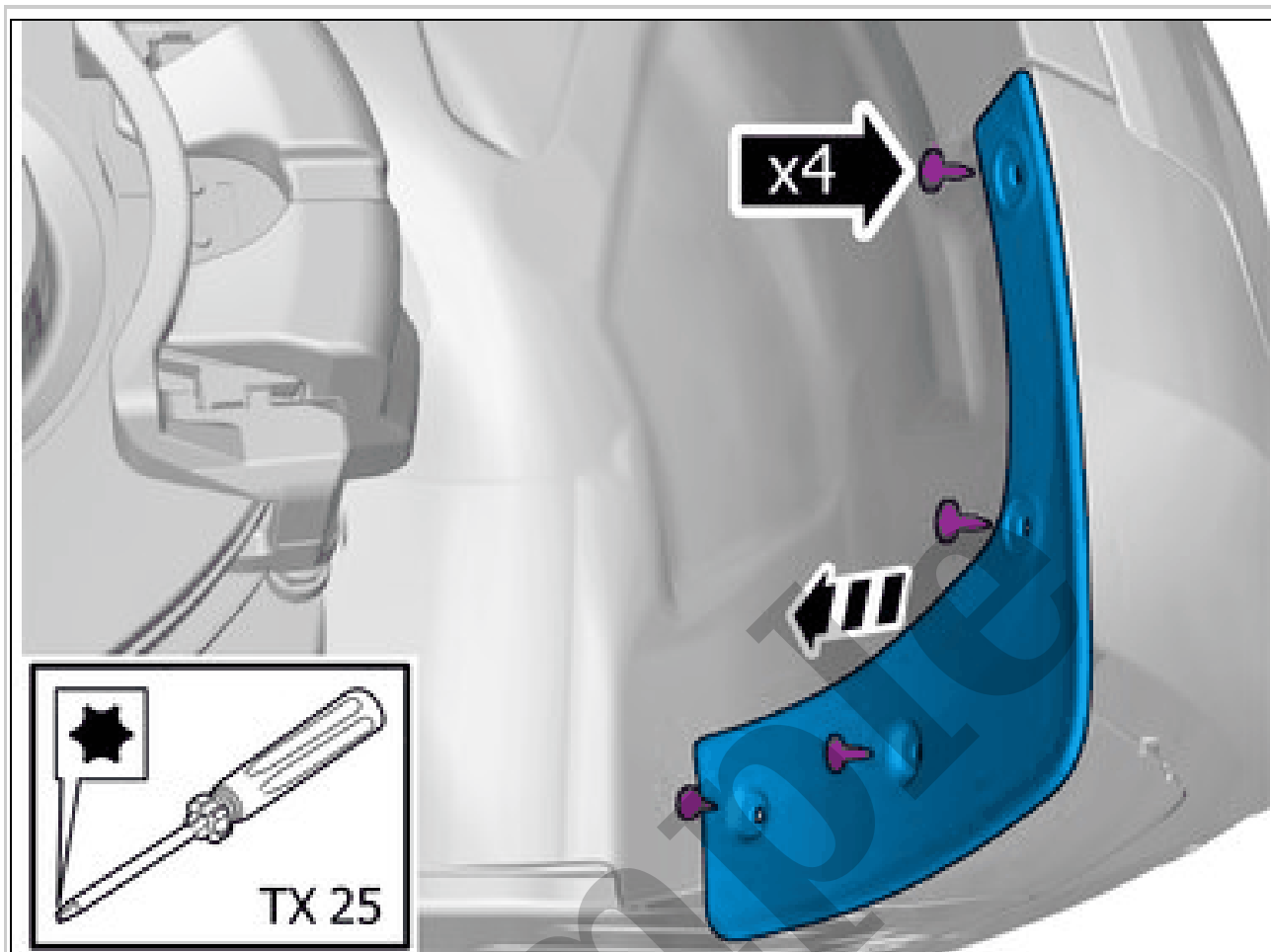
Courtesy of VOLVO CARS CORPORATION

Remove the screw.
INSTALLATION



Courtesy of VOLVO CARS CORPORATION

Remove the Special Tool.
BELT TENSIONER ADJUSTMENT



Courtesy of VOLVO CARS CORPORATION

Remove the screws.
Remove the marked part.