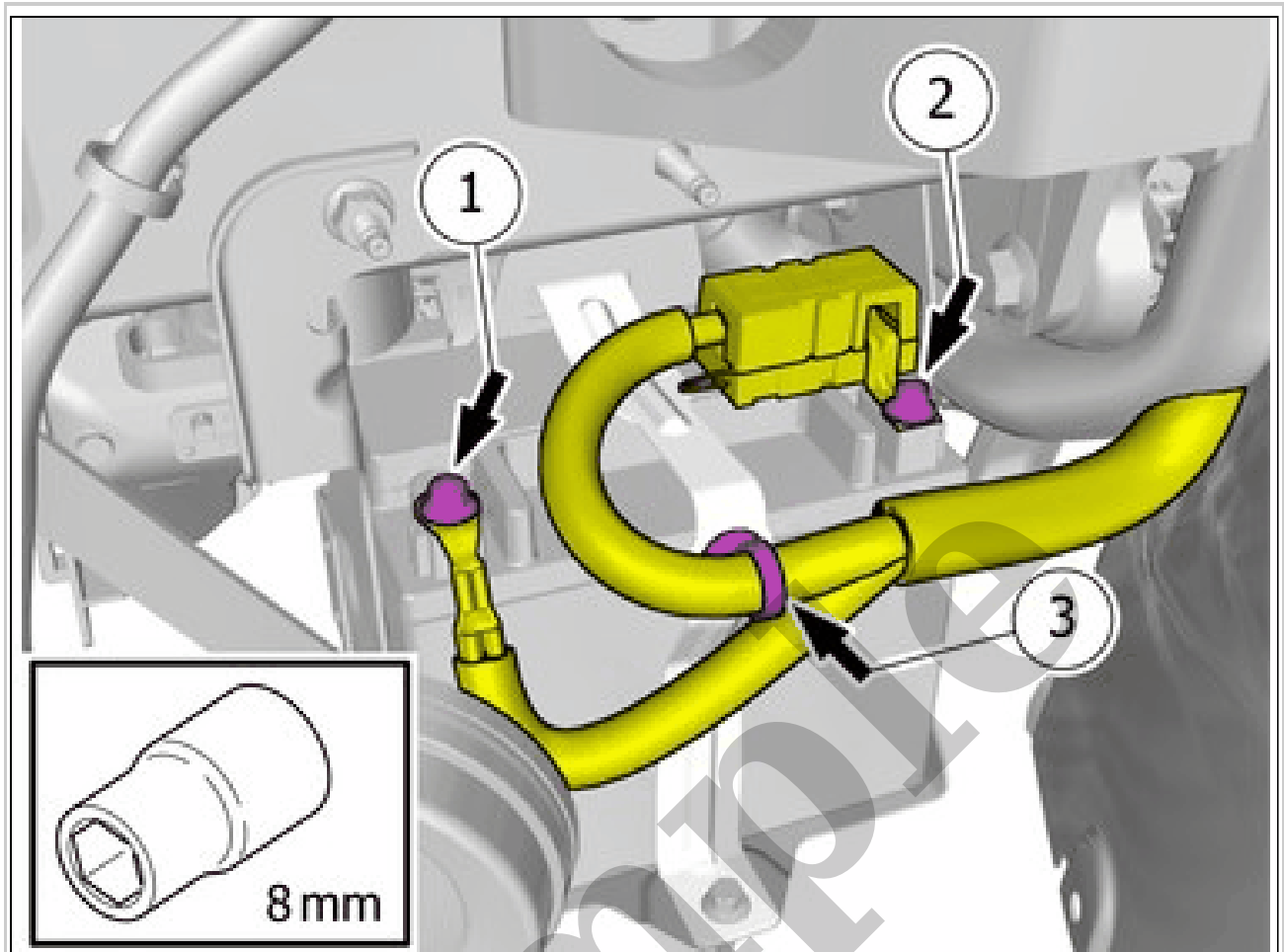


Your Ultimate Source for OEM Repair Manuals

FactoryManuals.net is a great resource for anyone who wants to save money on repairs by doing their own work. The manuals provide detailed instructions and diagrams that make it easy to understand how to fix a vehicle.

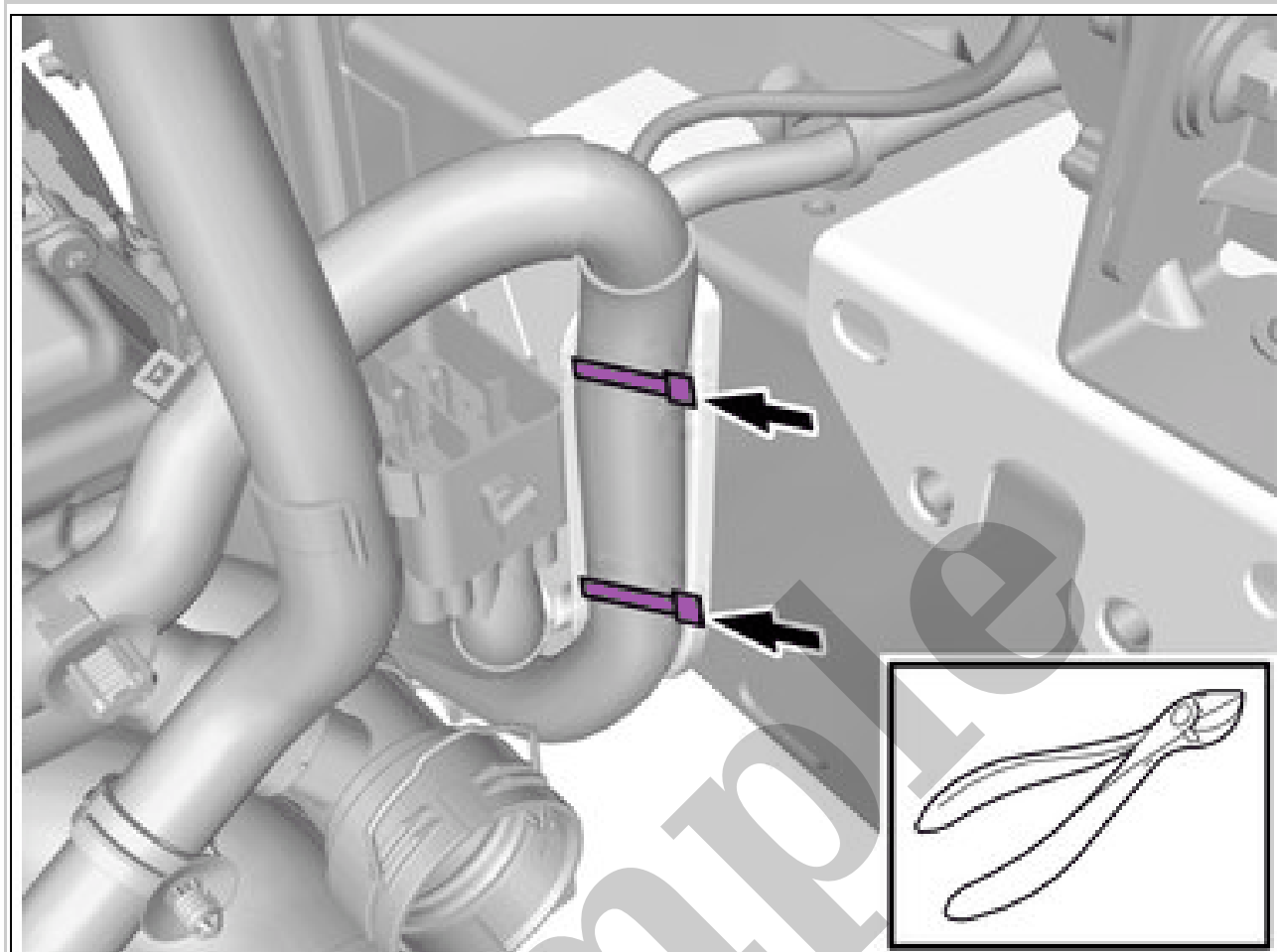
Volvo V60 Cross Country 2017 Manual - Service & Repair Guide

[Go to manual page](#)



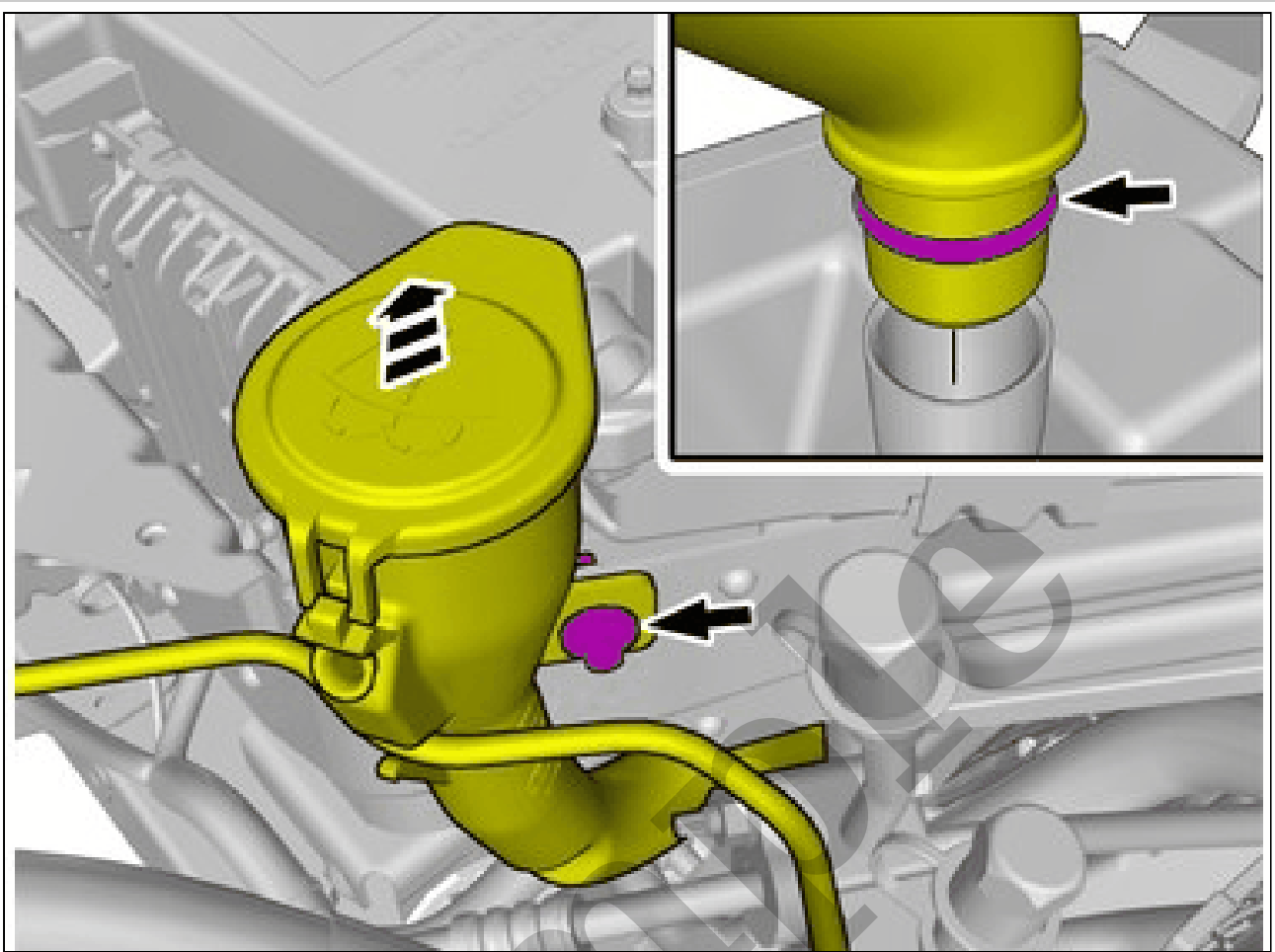
Courtesy of VOLVO CARS CORPORATION

- Remove the screws.
- Remove the cable harness clips.
- Fold marked part aside.
- Torque:** Battery cable for battery, 6Nm



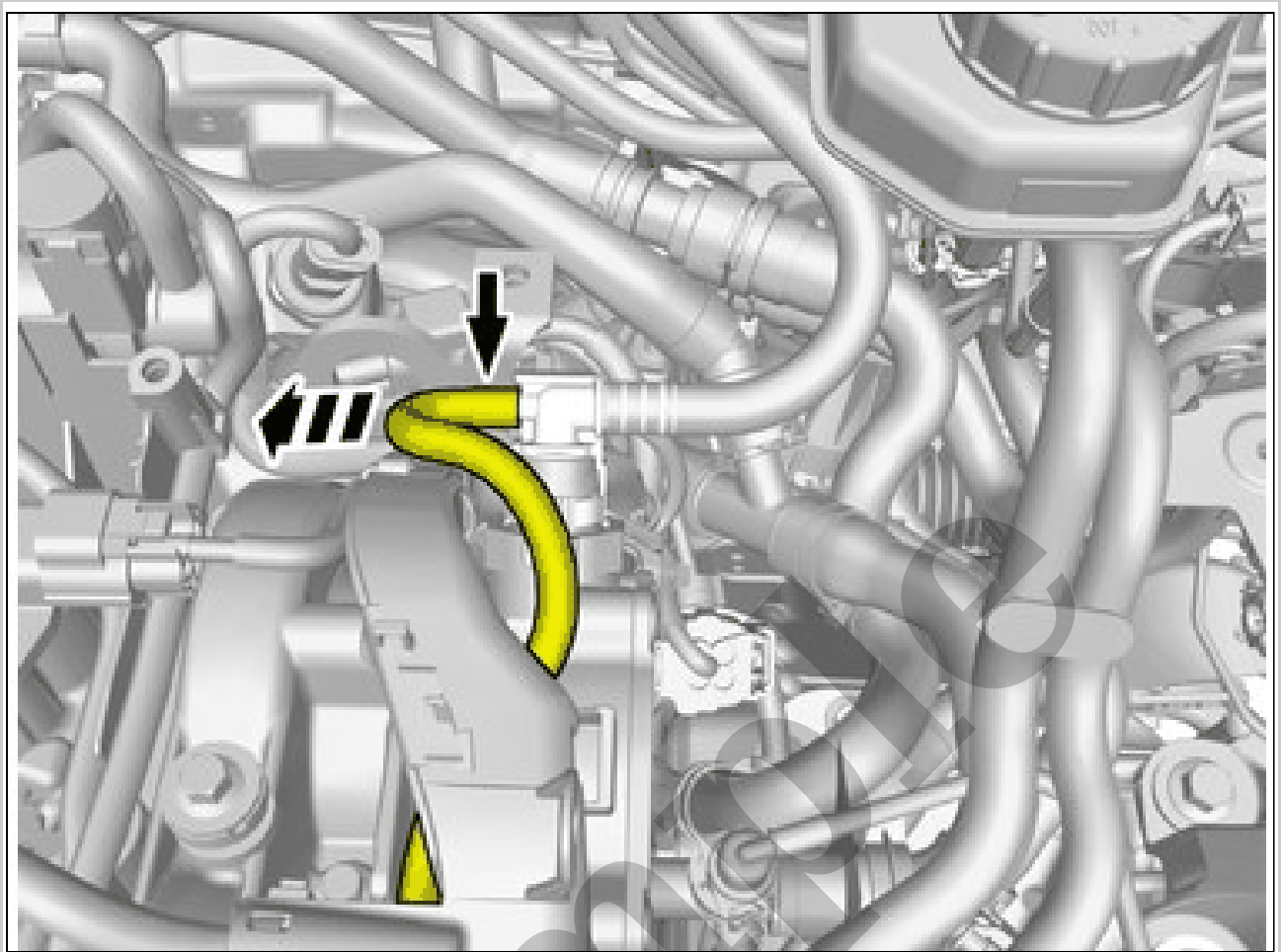
Courtesy of VOLVO CARS CORPORATION

Remove the cable harness clips.



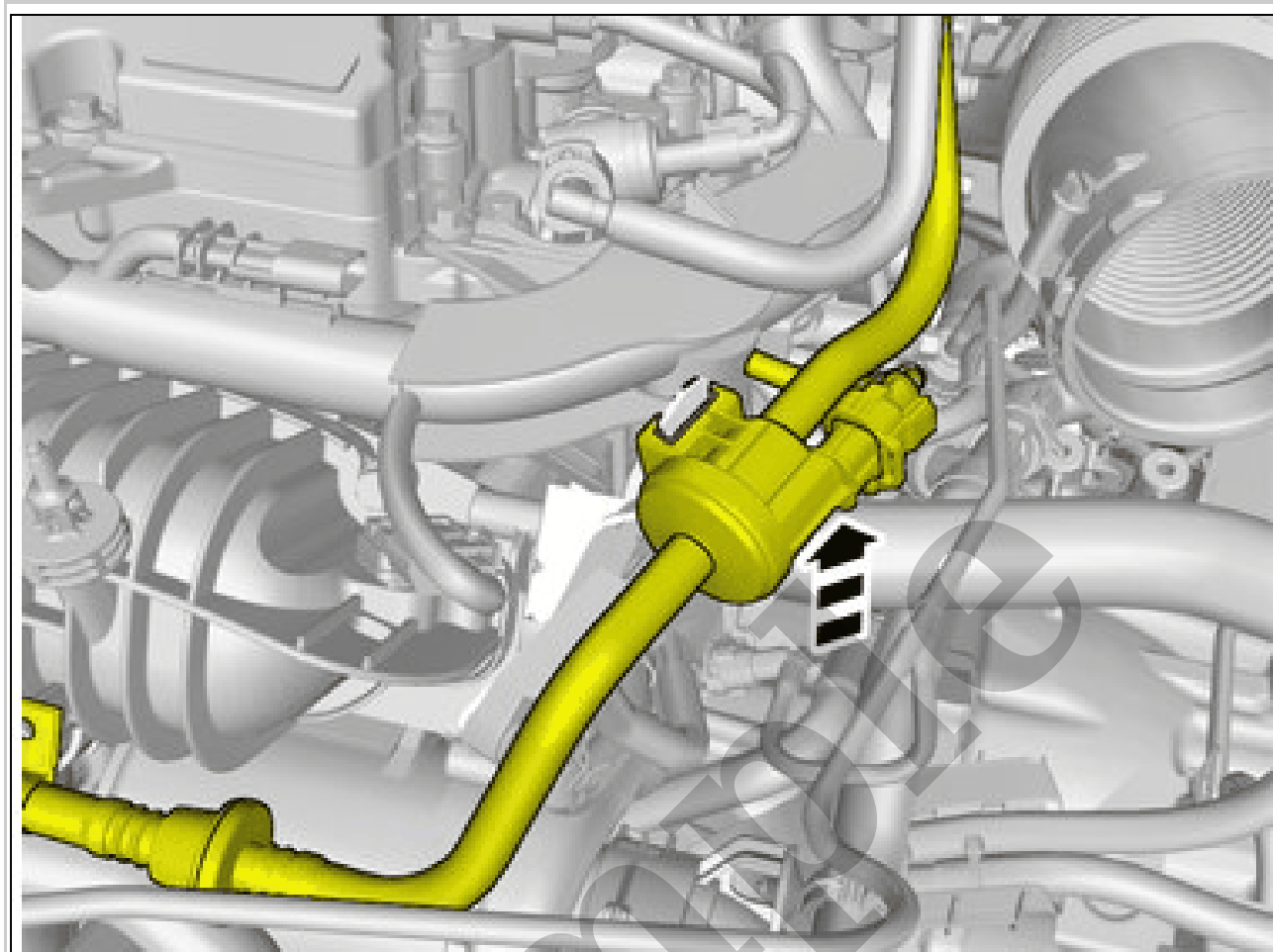
Courtesy of VOLVO CARS CORPORATION

Remove the screw.
Lift the marked component up
Torque: M6, 10Nm



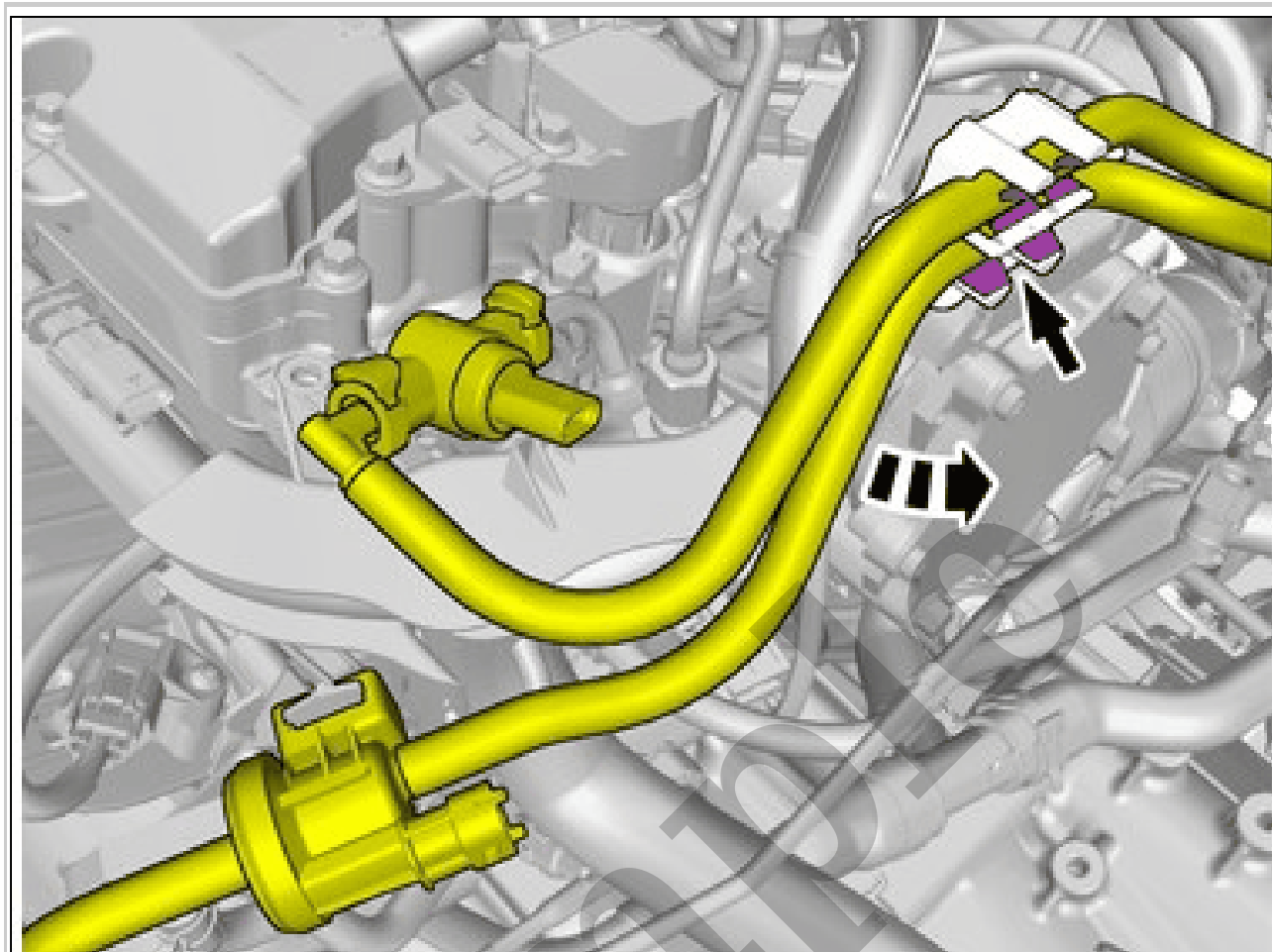
Courtesy of VOLVO CARS CORPORATION

Undo the hose from the connection.



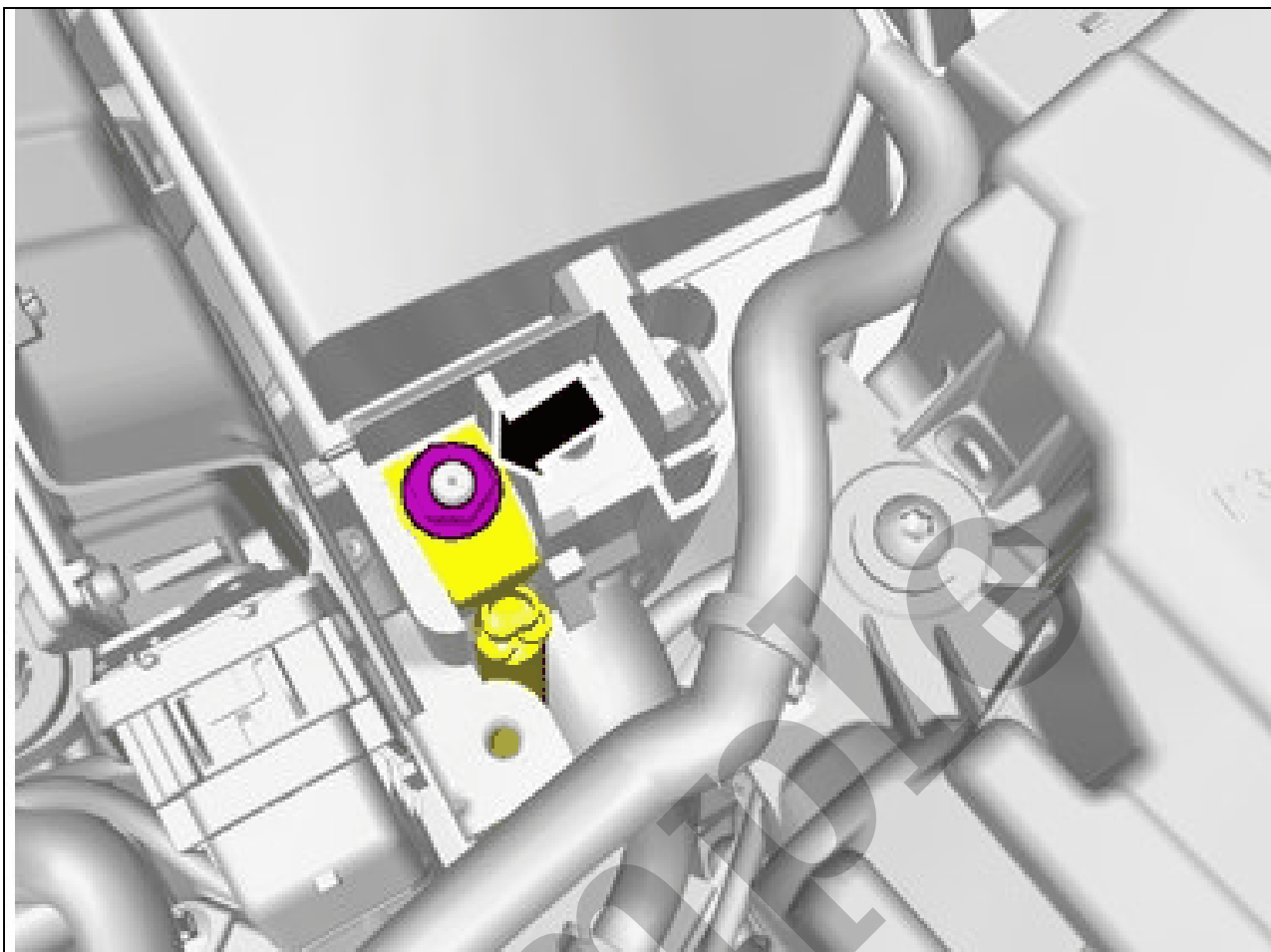
Courtesy of VOLVO CARS CORPORATION

Loosen the marked detail.



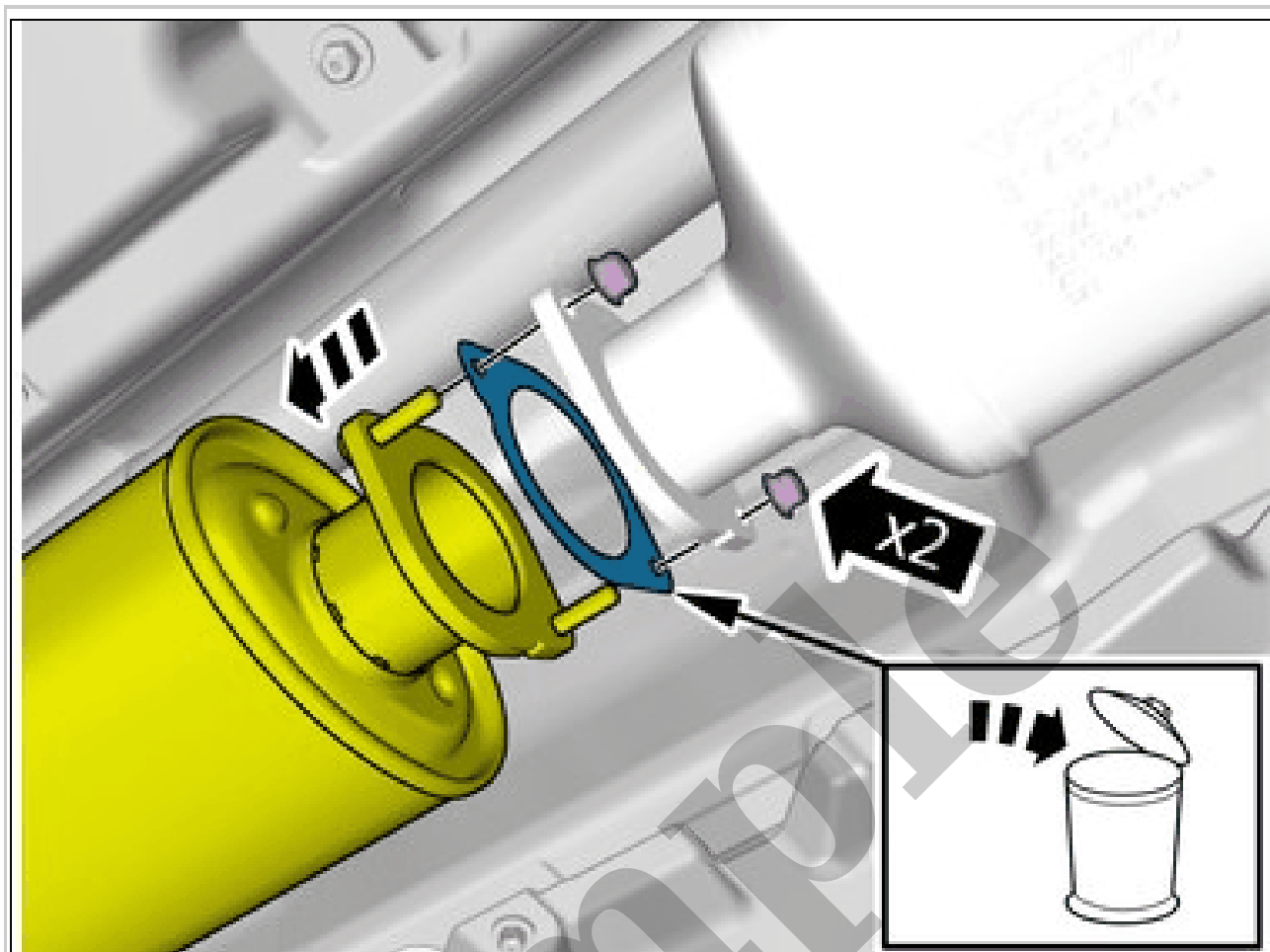
Courtesy of VOLVO CARS CORPORATION

Release the catches.
Loosen the marked detail.
Fold marked part aside.



Courtesy of VOLVO CARS CORPORATION

Remove the nut.
Loosen the marked detail.
Torque: M8, 24Nm

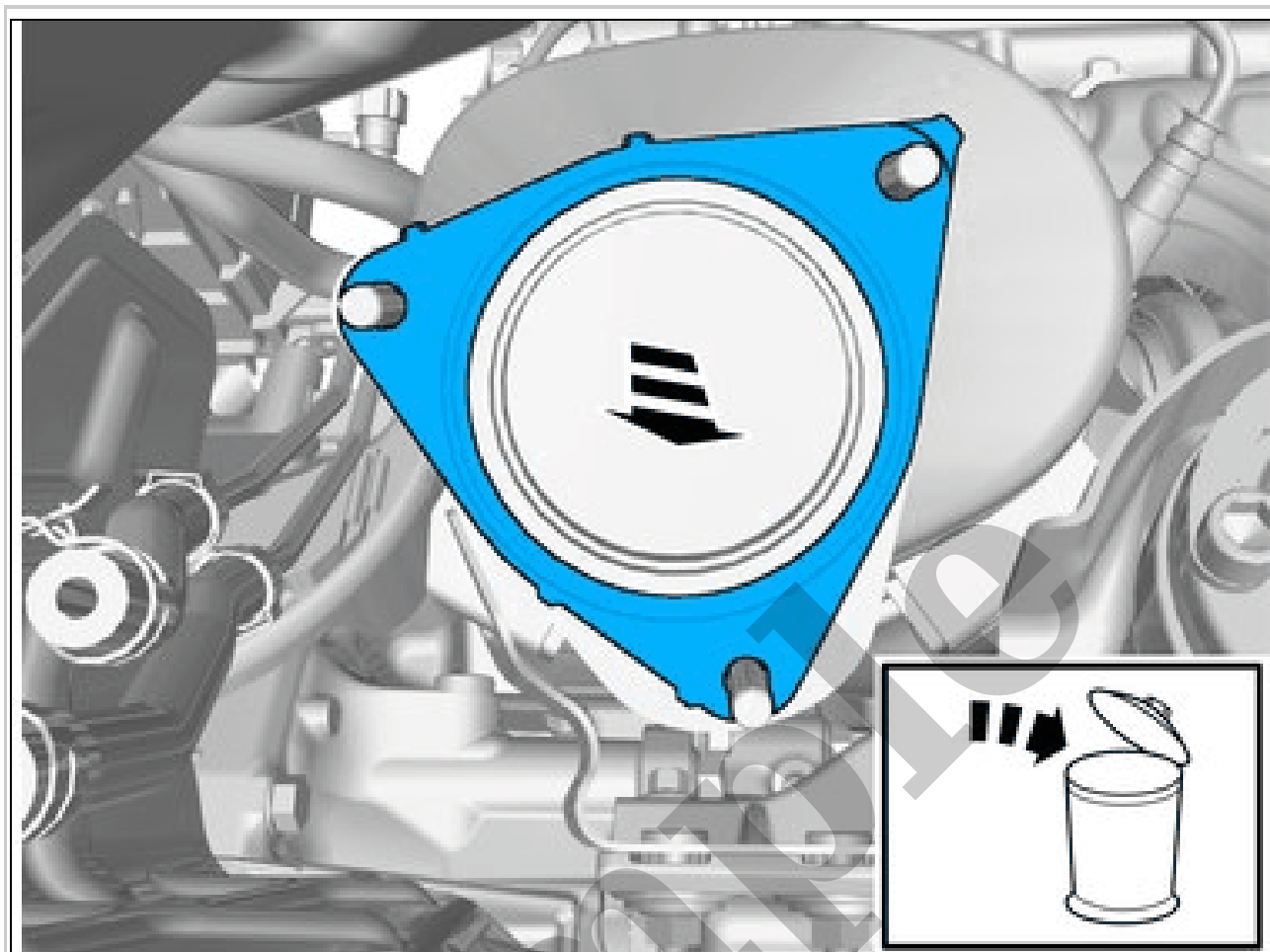


Courtesy of VOLVO CARS CORPORATION

NOTE: Use a new seal.

Remove the nuts.

Torque: M8, 24Nm



Courtesy of VOLVO CARS CORPORATION

NOTE: Use a new seal.

Remove the marked part.

VEHICLES WITHOUT PARTICLE FILTER GASOLINE (VARIANT CODE G201)