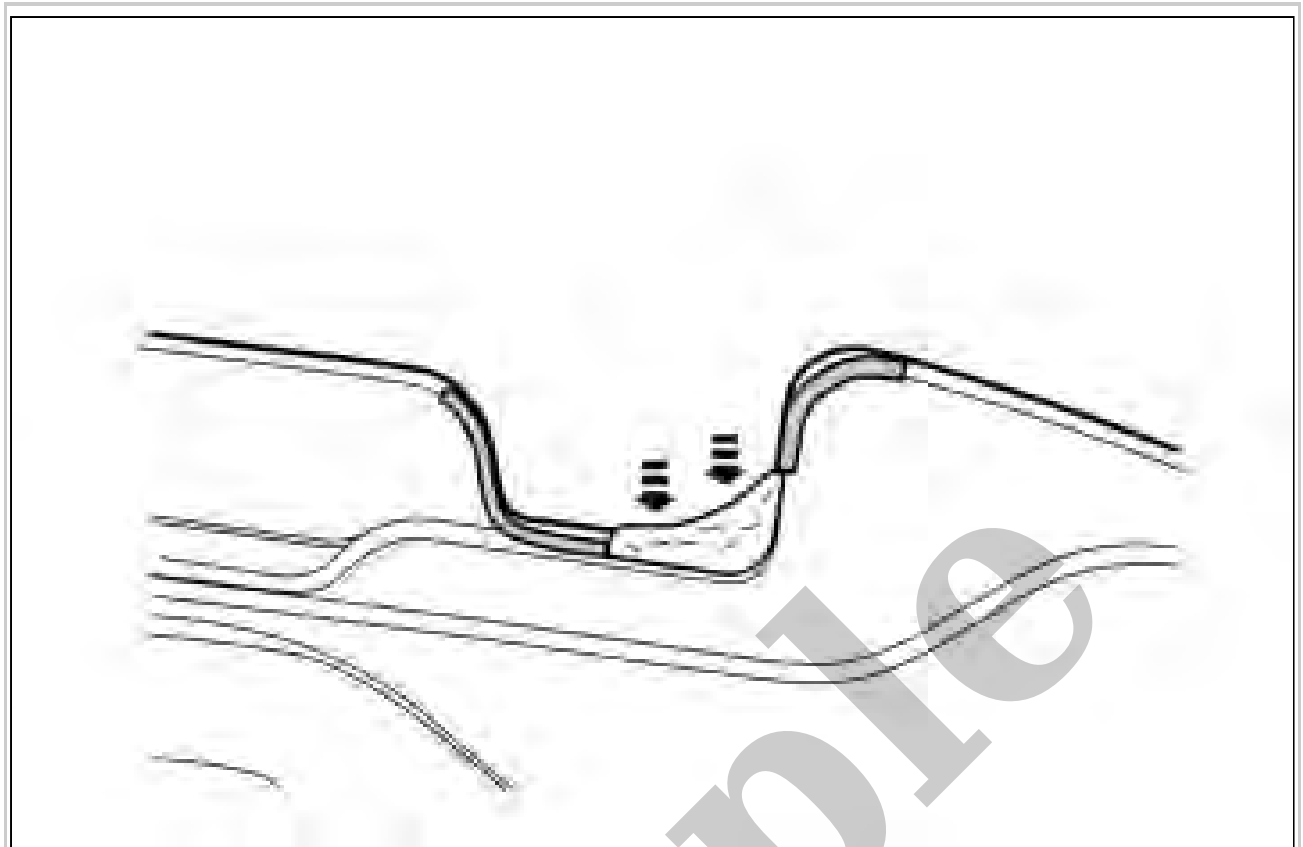


# Your Ultimate Source for OEM Repair Manuals

FactoryManuals.net is a great resource for anyone who wants to save money on repairs by doing their own work. The manuals provide detailed instructions and diagrams that make it easy to understand how to fix a vehicle.

## 2017 VOLVO V40 Cross Country OEM Service and Repair Workshop Manual

[Go to manual page](#)



Courtesy of VOLVO CARS CORPORATION

See information about paint BODY REPAIR PAINT INFORMATION

See information about corrosion protection RUSTPROOFING

To install, reverse the removal procedure.

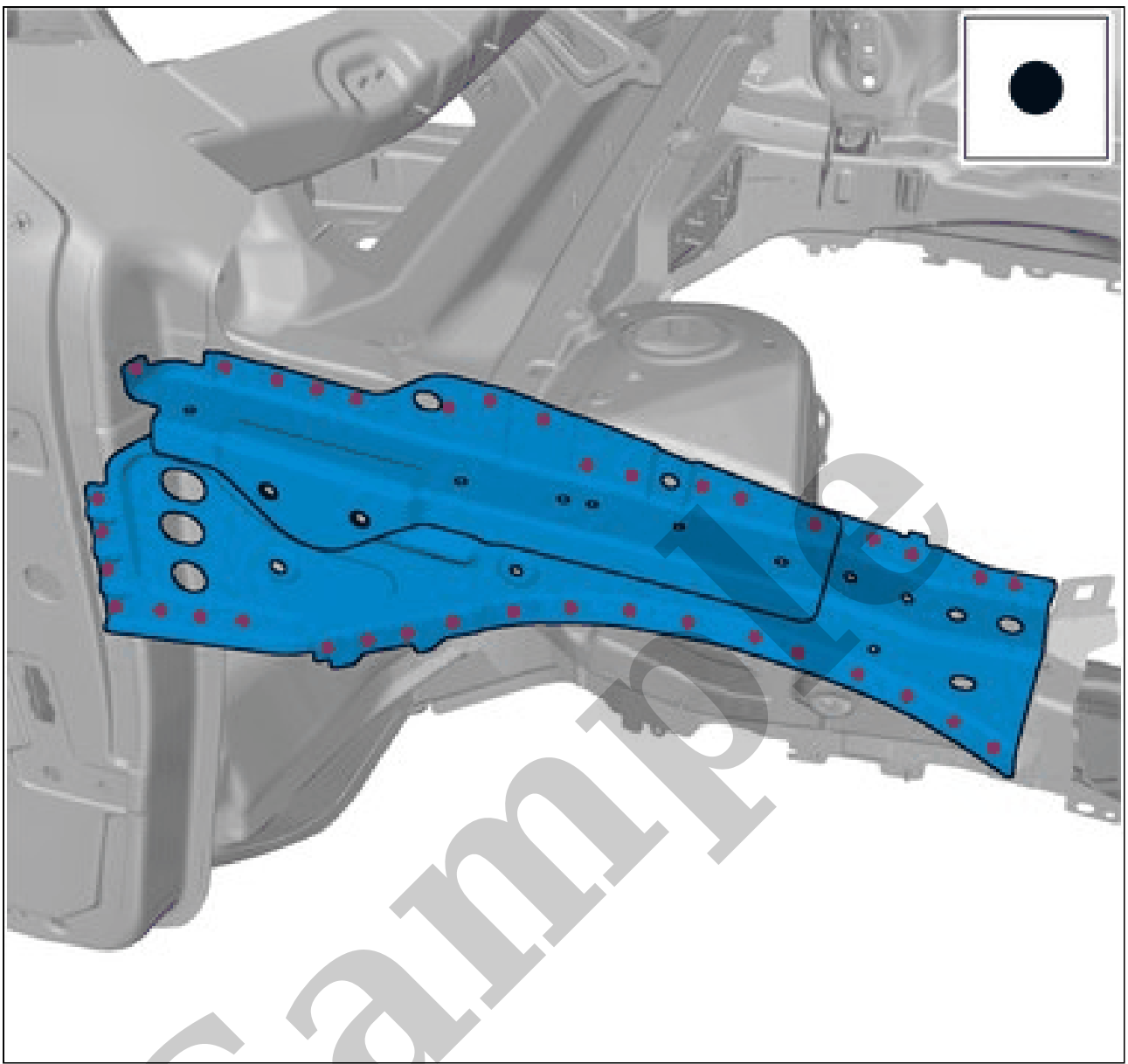
## **BODY PANEL REPLACEMENT > FRONT PILLAR > A-PILLAR [2018, 2019, 2020, 2021, 2022] > REMOVAL**

See information on welding, general BODY REPAIR GENERAL WELDING

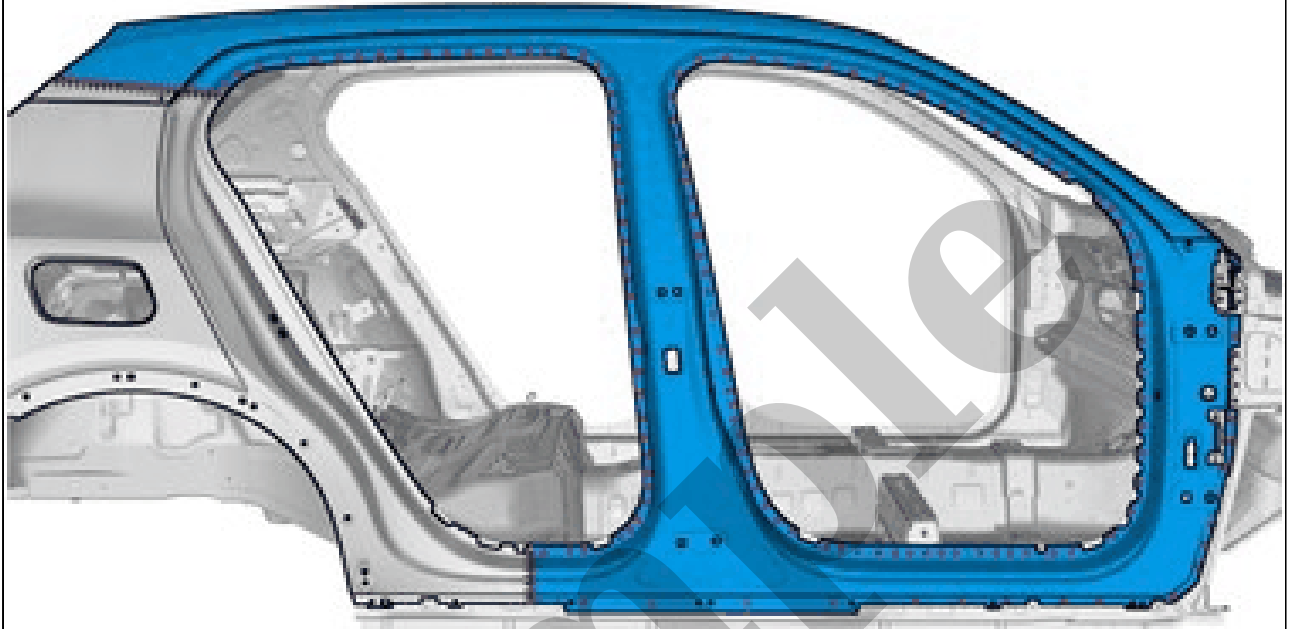
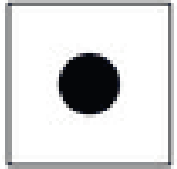
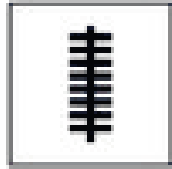
See information about body side BODY SIDE

### **Remove the following items:**

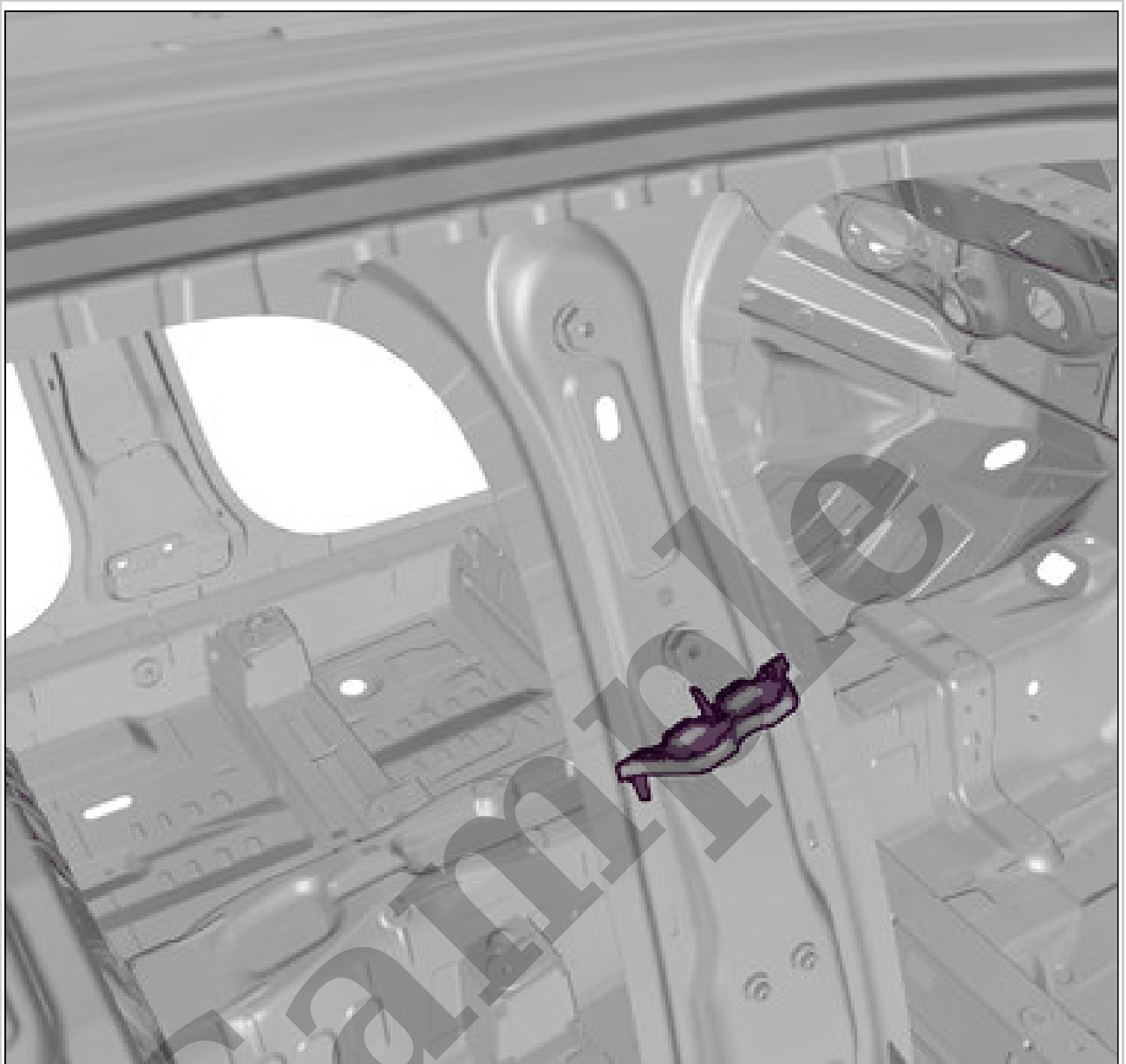
- Windshield WINDSHIELD
- roof panel ROOF PANEL
- tailgate TAILGATE
- Side door rear SIDE DOOR REAR
- side door front FRONT DOOR
- Fender FENDER
- Sill panel SILL PANEL
- dashboard DASHBOARD
- Hood hinge HOOD HINGE



Courtesy of VOLVO CARS CORPORATION



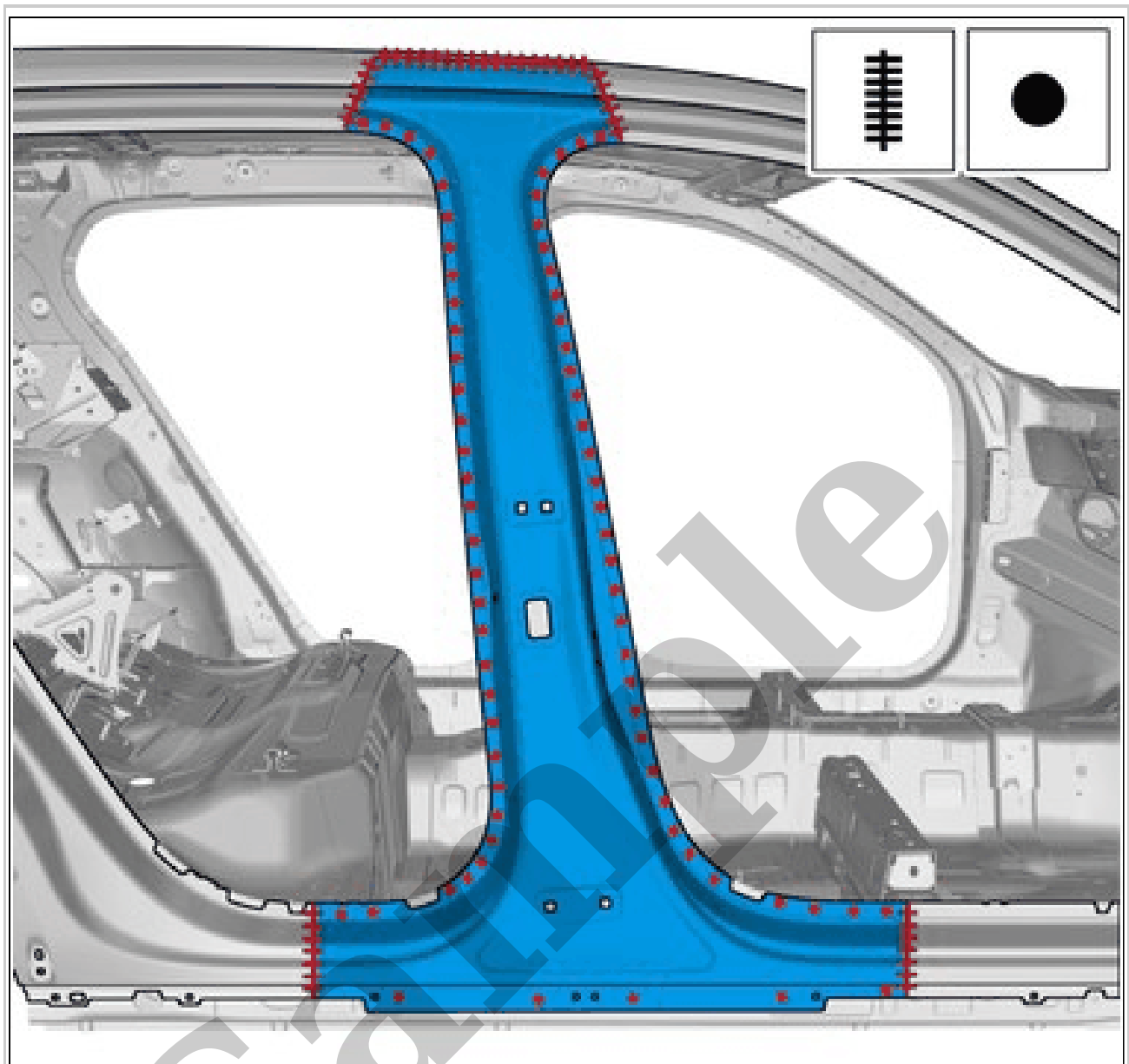
Courtesy of VOLVO CARS CORPORATION



Courtesy of VOLVO CARS CORPORATION

**NOTE:** *Use a new seal.*

**Use:** Sealing compound, 1161767



Courtesy of VOLVO CARS CORPORATION

See information about body sealant, sealing diagram [BODY SEAL, SEALING DIAGRAM](#)

See information about paint [BODY REPAIR PAINT INFORMATION](#)

See information about corrosion protection [RUSTPROOFING](#)

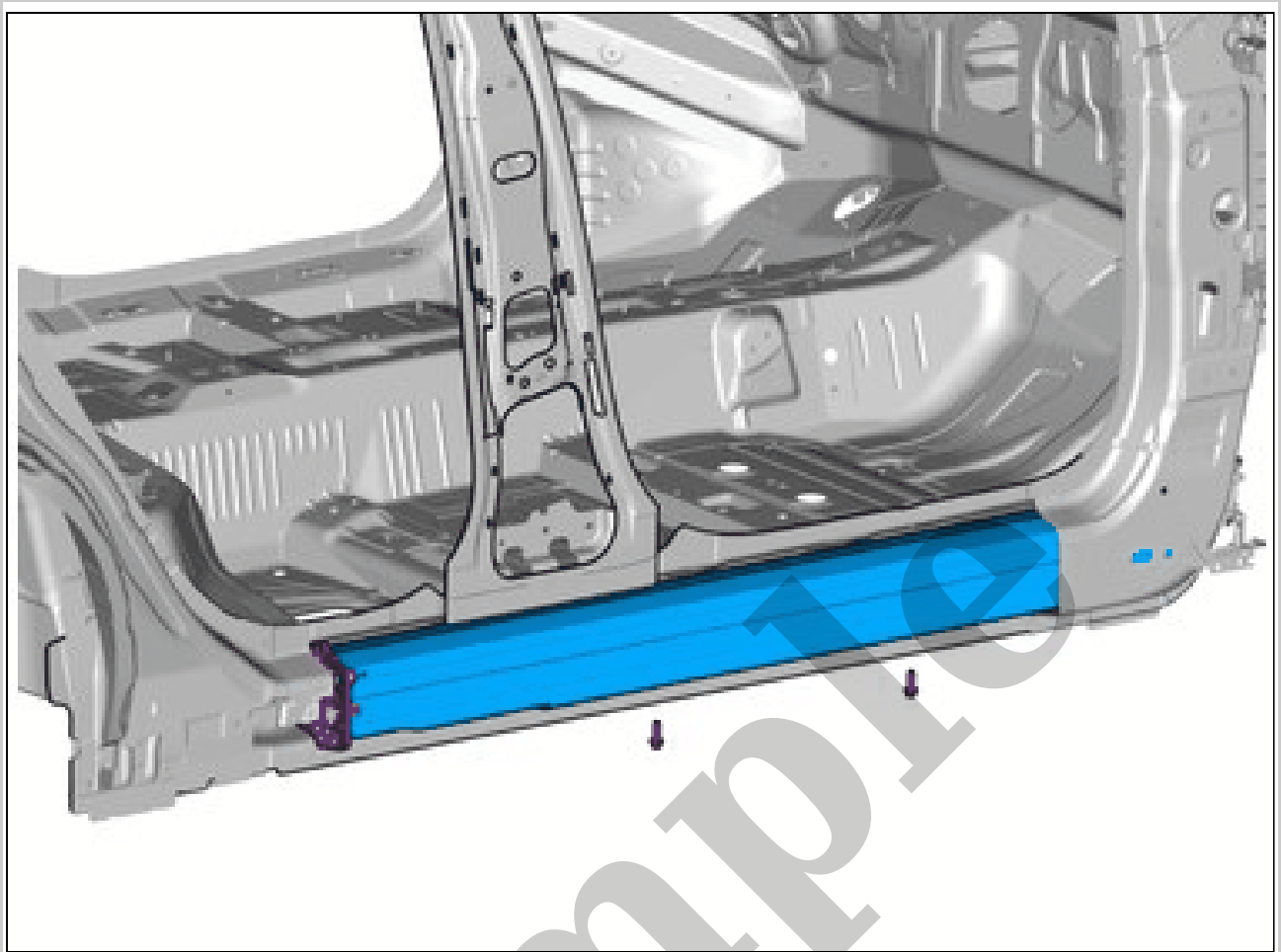
To install, reverse the removal procedure.

## **BODY PANEL REPLACEMENT > BODY SILL REINFORCEMENT > BODY SILL REINFORCEMENT [2018, 2019, 2020, 2021, 2022, B4204T18 | 2019, 2020, 2021, 2022, B4204T47 | 2022, E400V6] > REMOVAL**

See information on welding, general [BODY REPAIR GENERAL WELDING](#)

See information about body side [BODY SIDE](#)

Remove A-pillar [FRONT PILLAR](#)



Courtesy of VOLVO CARS CORPORATION

**NOTE:** *Use new seals.*

**Use:** Sealing compound, 1161767

**Torque:** M8, 24Nm



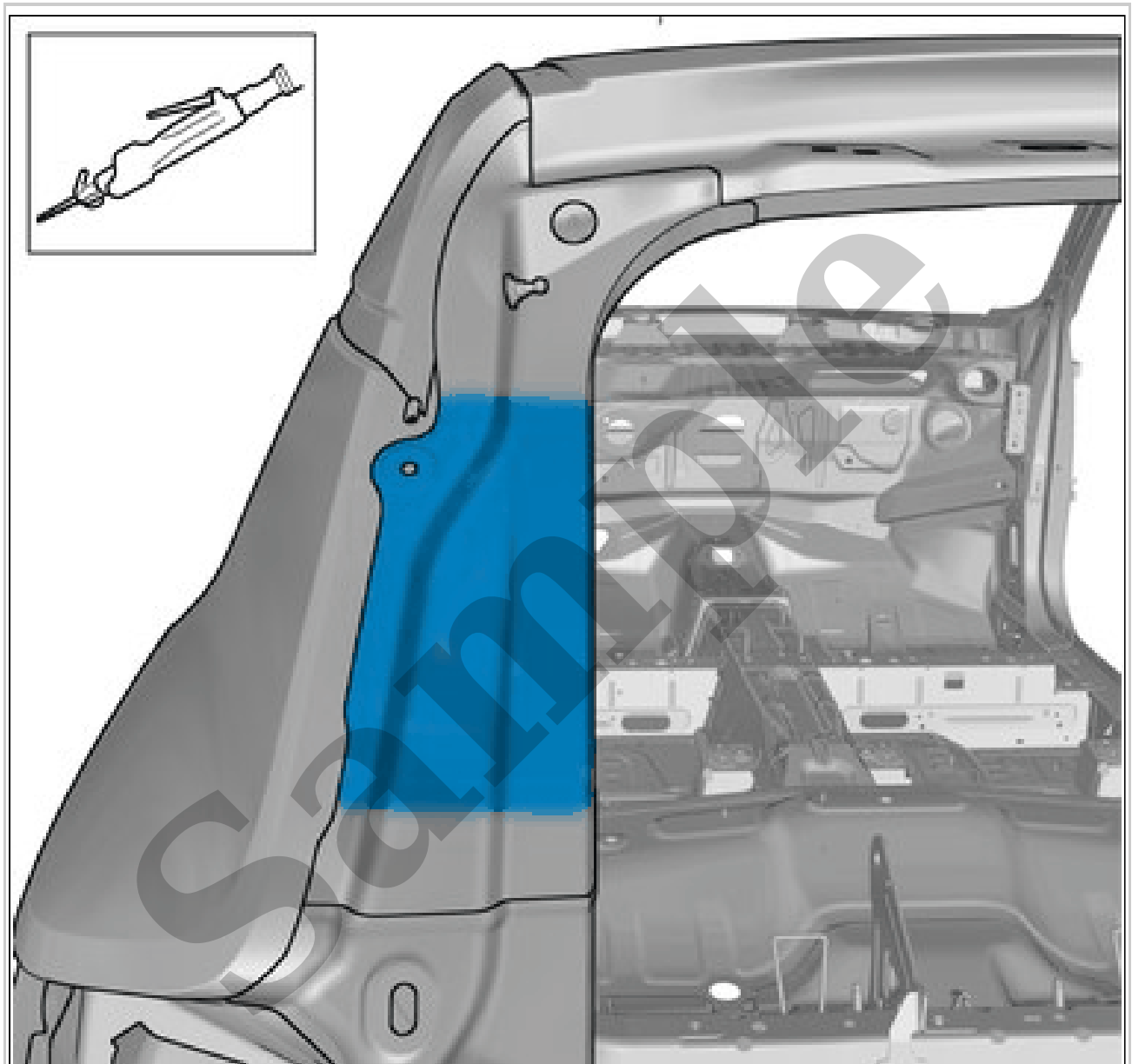
Courtesy of VOLVO CARS CORPORATION

**Use:** Sealing compound, 1161767



See information about side members rear  
See information about rear piece REAR SECTION

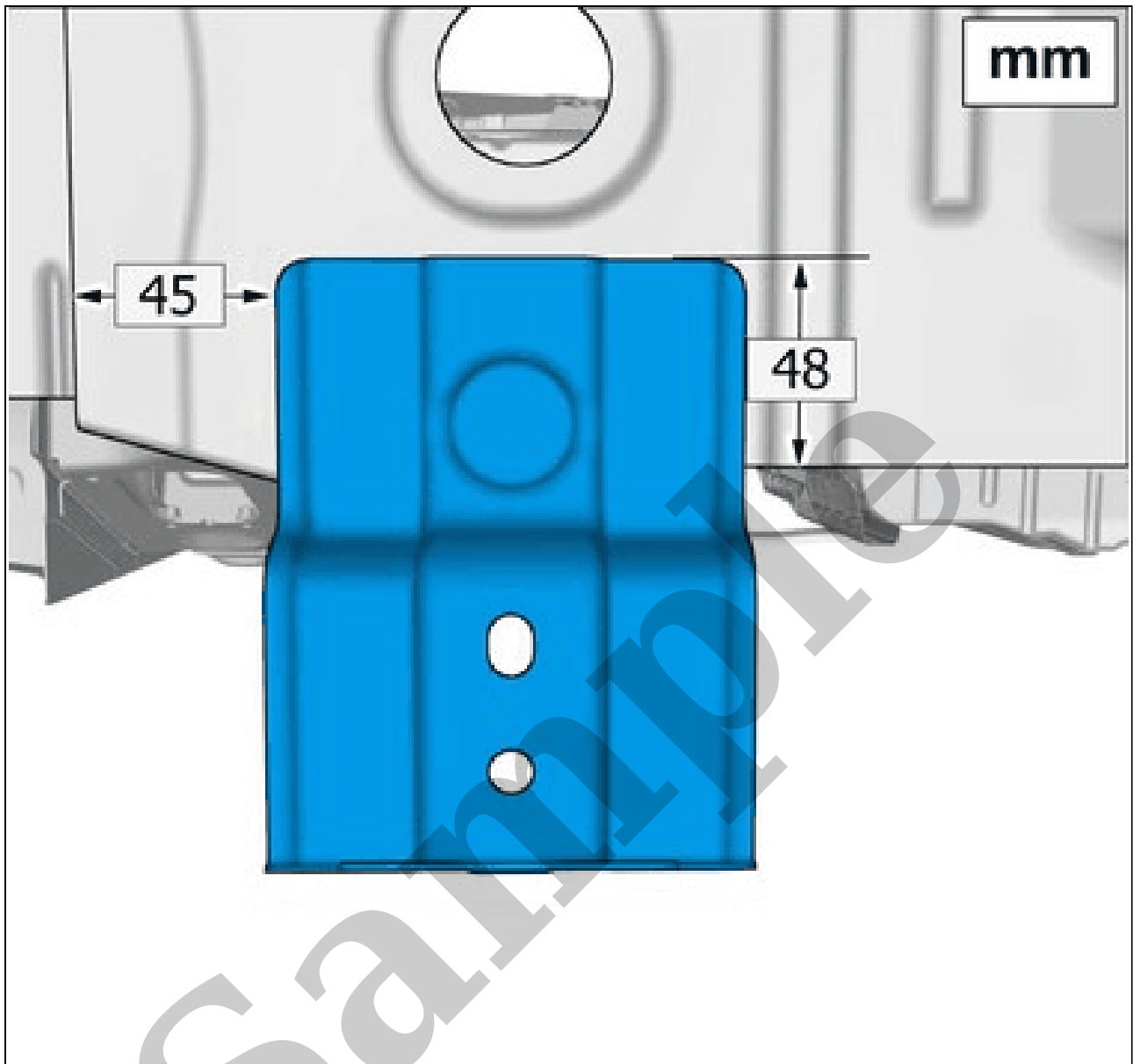
**BODY PANEL REPLACEMENT > REAR SECTION EXTERNAL > REAR SECTION EXTERNAL [2018, 2019, 2020, 2021, 2022] > INSTALLATION**



Courtesy of VOLVO CARS CORPORATION

**HINT: Cutting is permitted within the areas indicated.**

Fig 2: Inner Rear Section Installation Measurements And Locations



Courtesy of VOLVO CARS CORPORATION

On both sides.