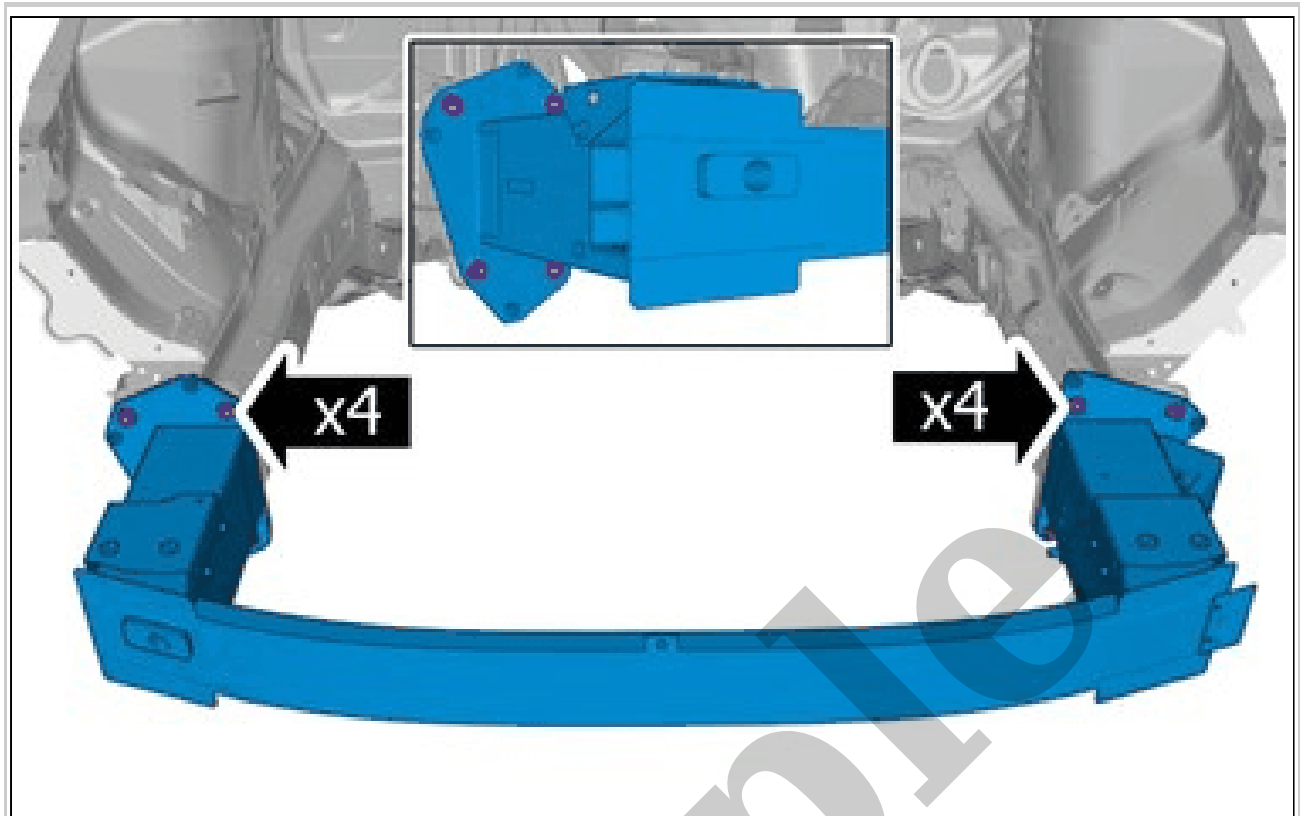


# Your Ultimate Source for OEM Repair Manuals

FactoryManuals.net is a great resource for anyone who wants to save money on repairs by doing their own work. The manuals provide detailed instructions and diagrams that make it easy to understand how to fix a vehicle.

## 2017 Volvo S90 Manual - Service & Repair Guide

[Go to manual page](#)



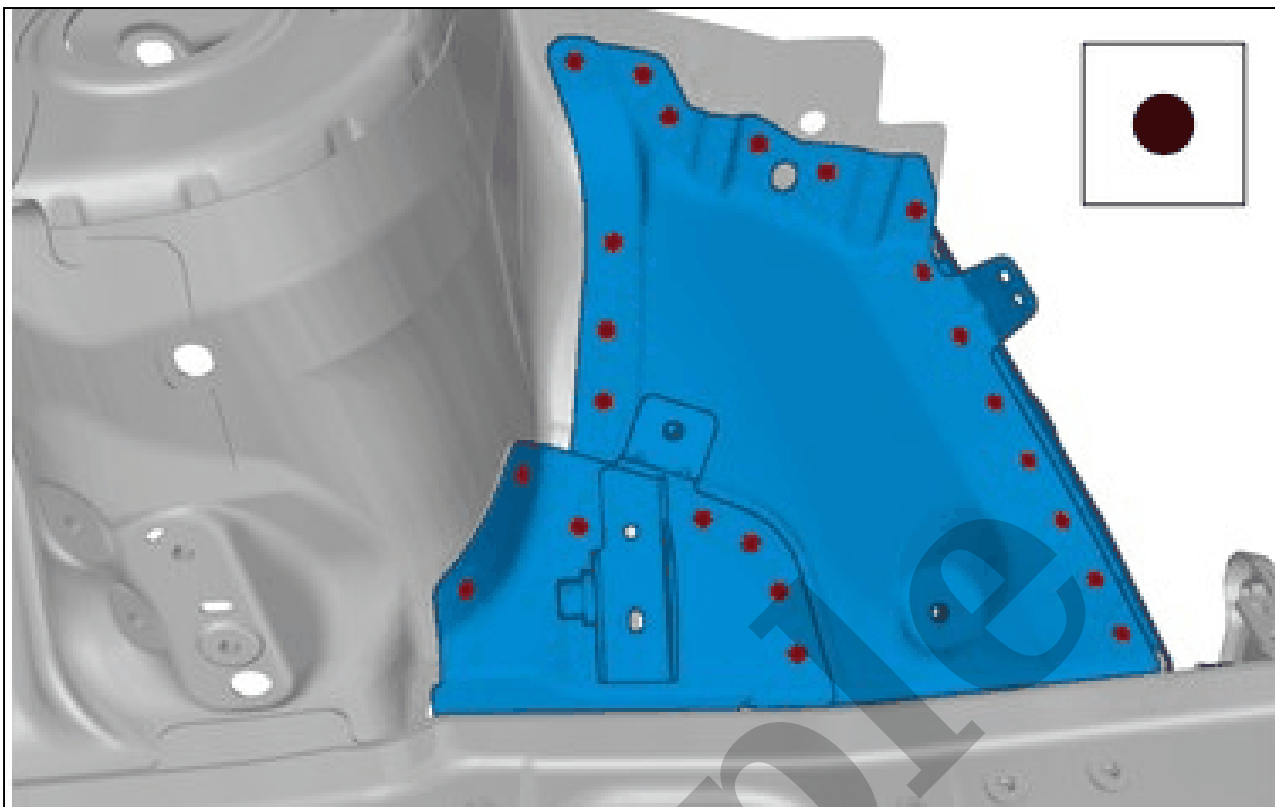
Courtesy of VOLVO CARS CORPORATION

**Torque:** Cross member to side member, 60Nm

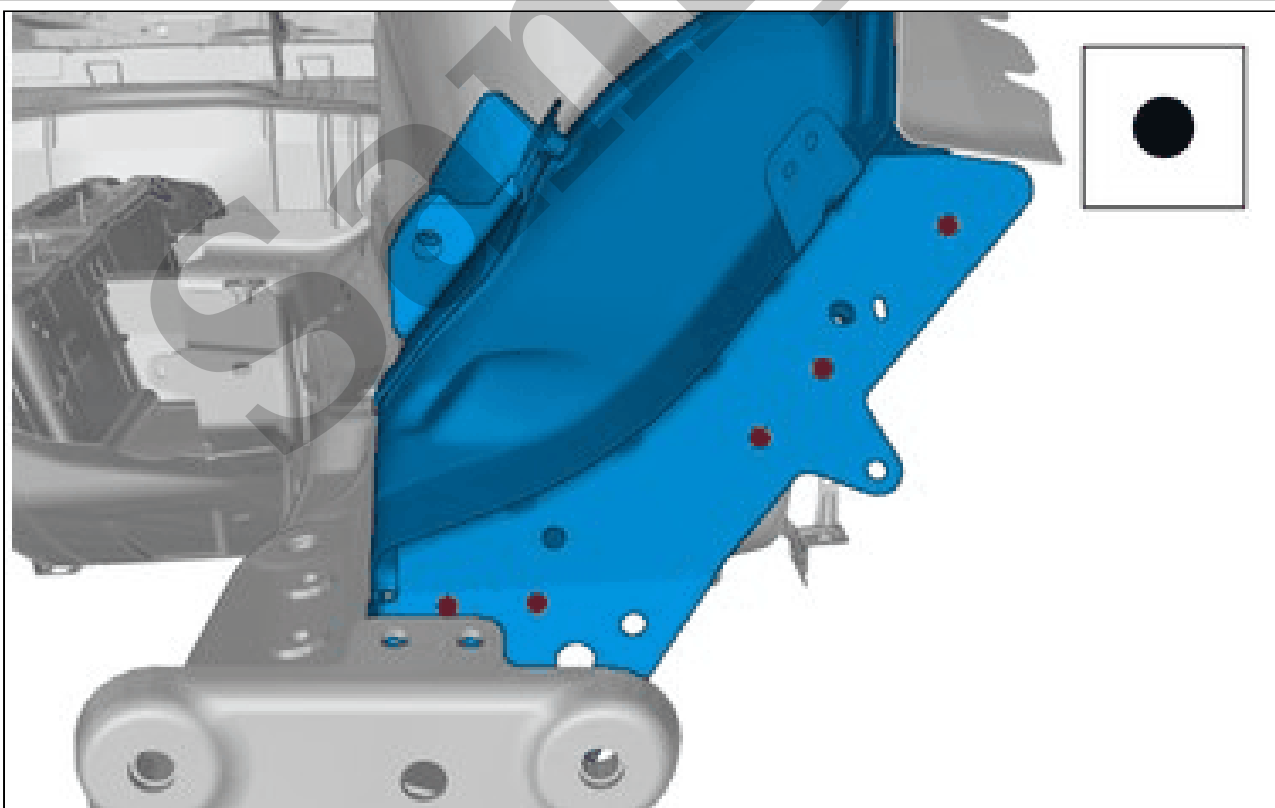
## **BODY PANEL REPLACEMENT > FRONT WHEELHOUSE > FRONT WHEELHOUSE [2018, 2019, 2020, 2021, 2022] > REMOVAL**

**NOTE:** *Removal steps in this procedure may contain installation details.*

See information on welding, general WELDING, GENERAL  
See information about side members front SIDE MEMBERS, FRONT  
Remove engine ENGINE  
Remove the headlamp HEADLAMPS  
Remove the fender FENDER  
Remove Front Strut and Spring Assembly FRONT STRUT AND SPRING ASSEMBLY

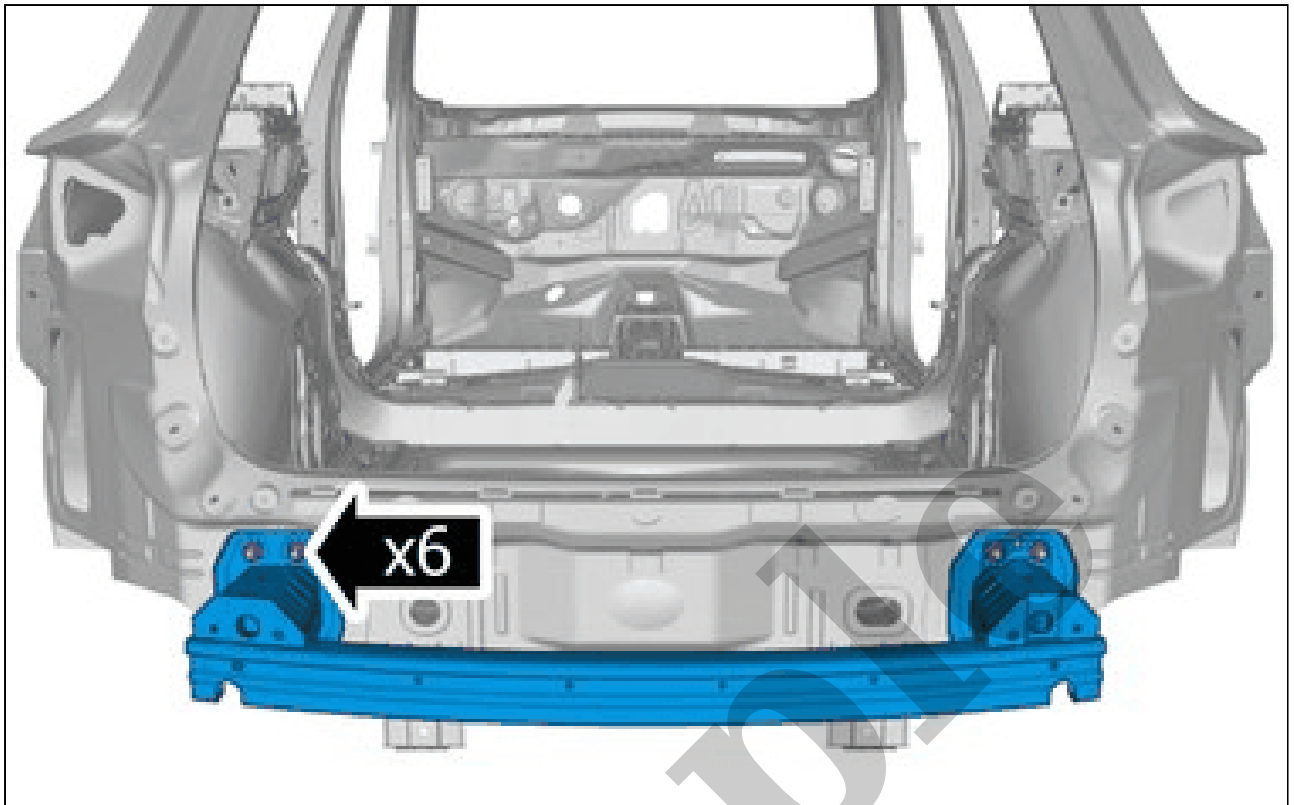


Courtesy of VOLVO CARS CORPORATION



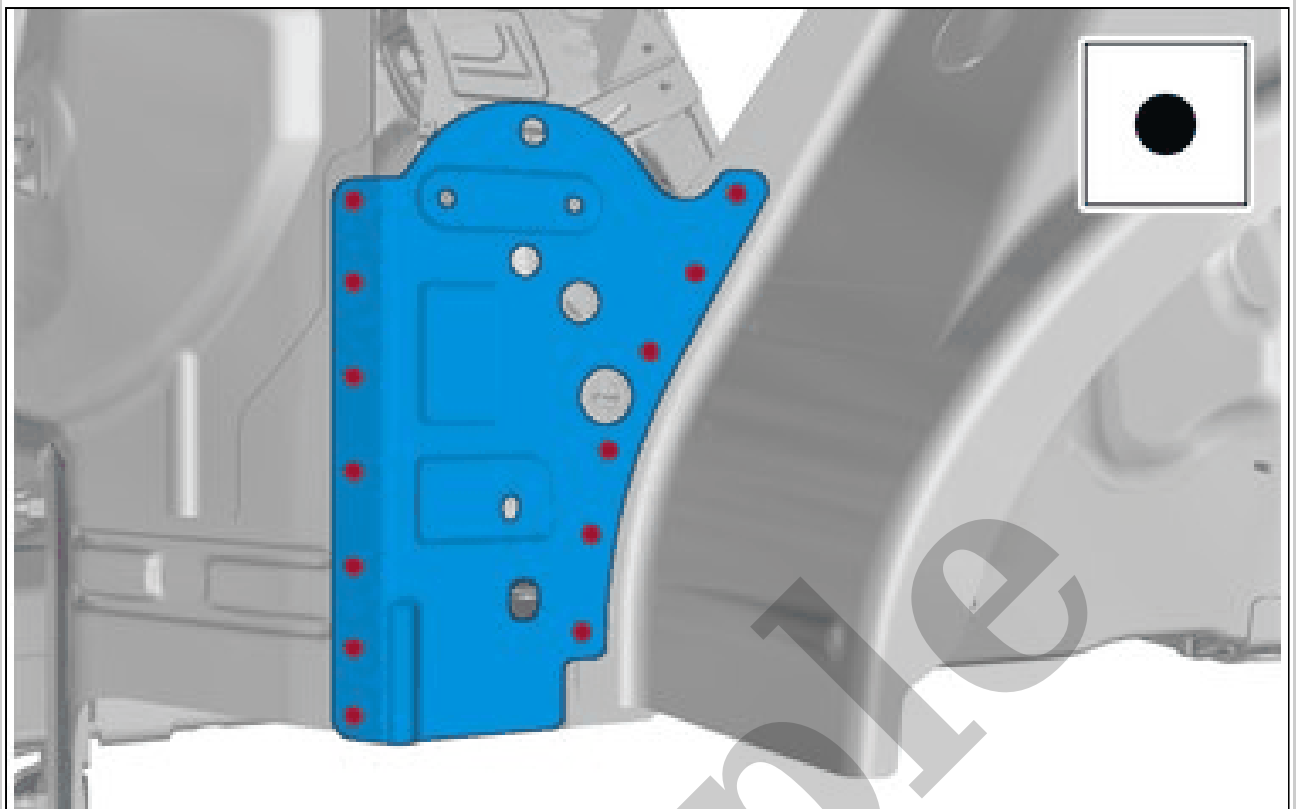
Courtesy of VOLVO CARS CORPORATION

Fig 1: Rear Bumper Rail Component Location



Courtesy of VOLVO CARS CORPORATION

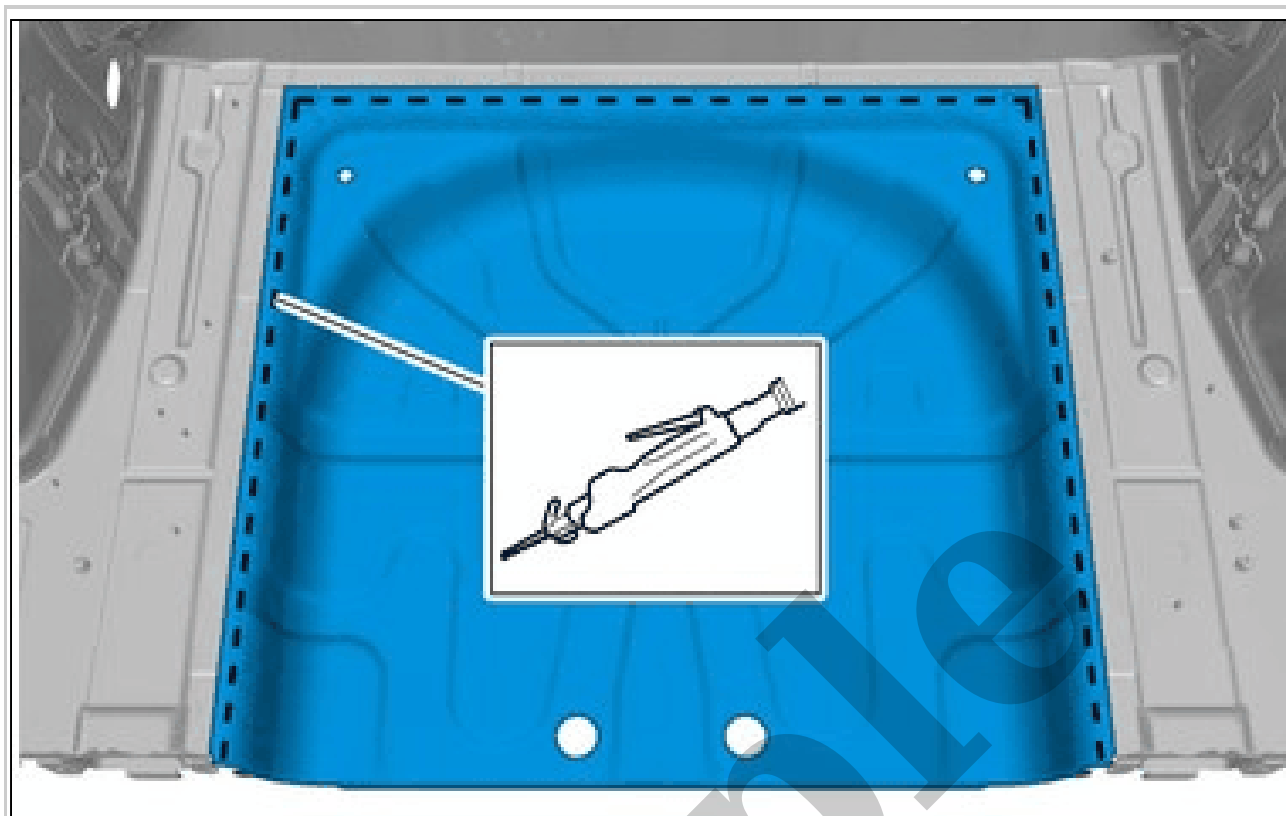
**Torque:** Rear Bumper Rail to Body, 60Nm



Courtesy of VOLVO CARS CORPORATION

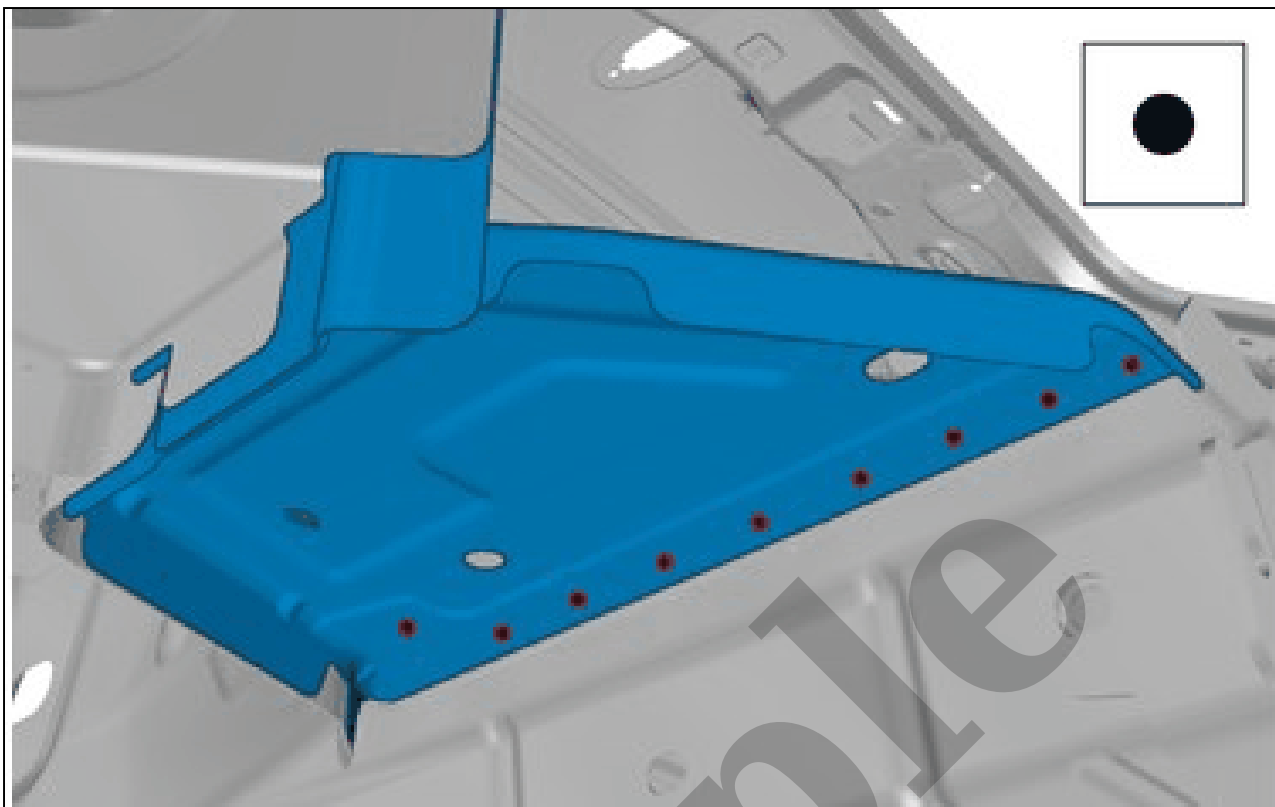


Courtesy of VOLVO CARS CORPORATION

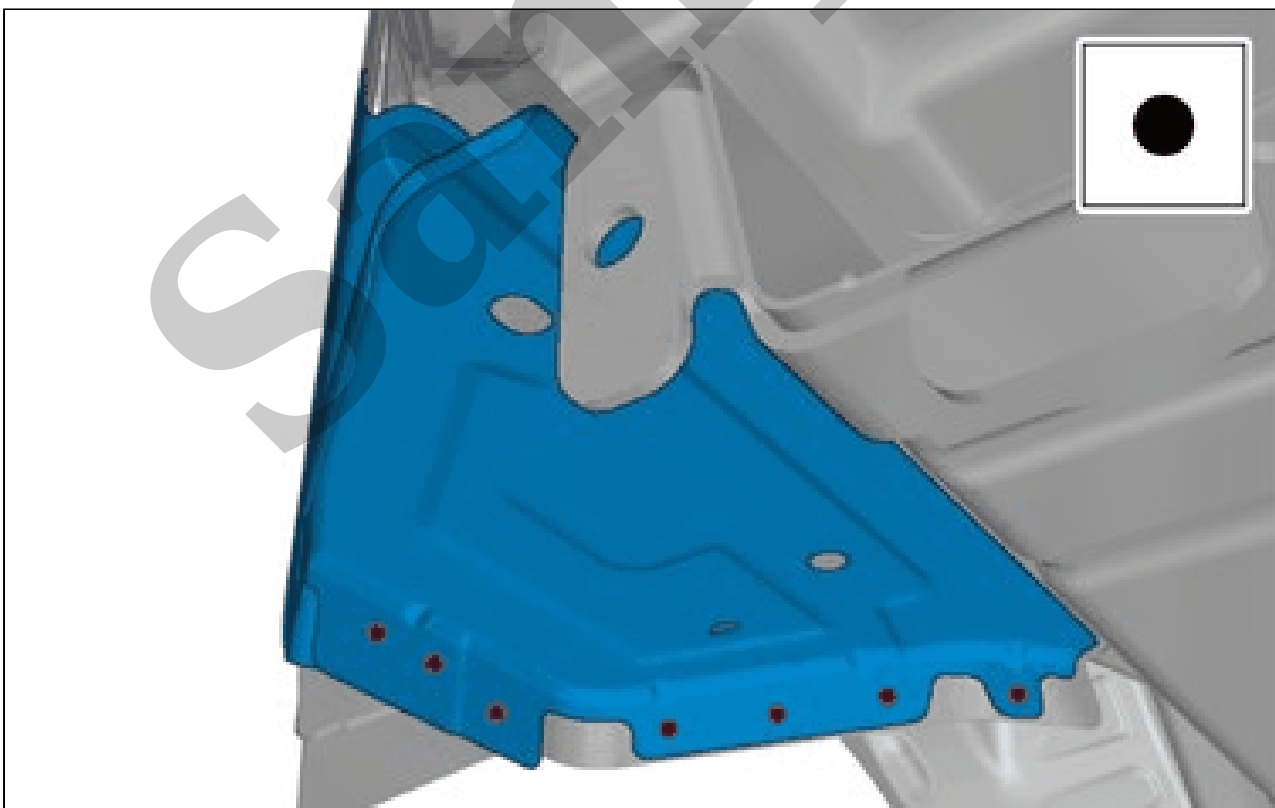


Courtesy of VOLVO CARS CORPORATION

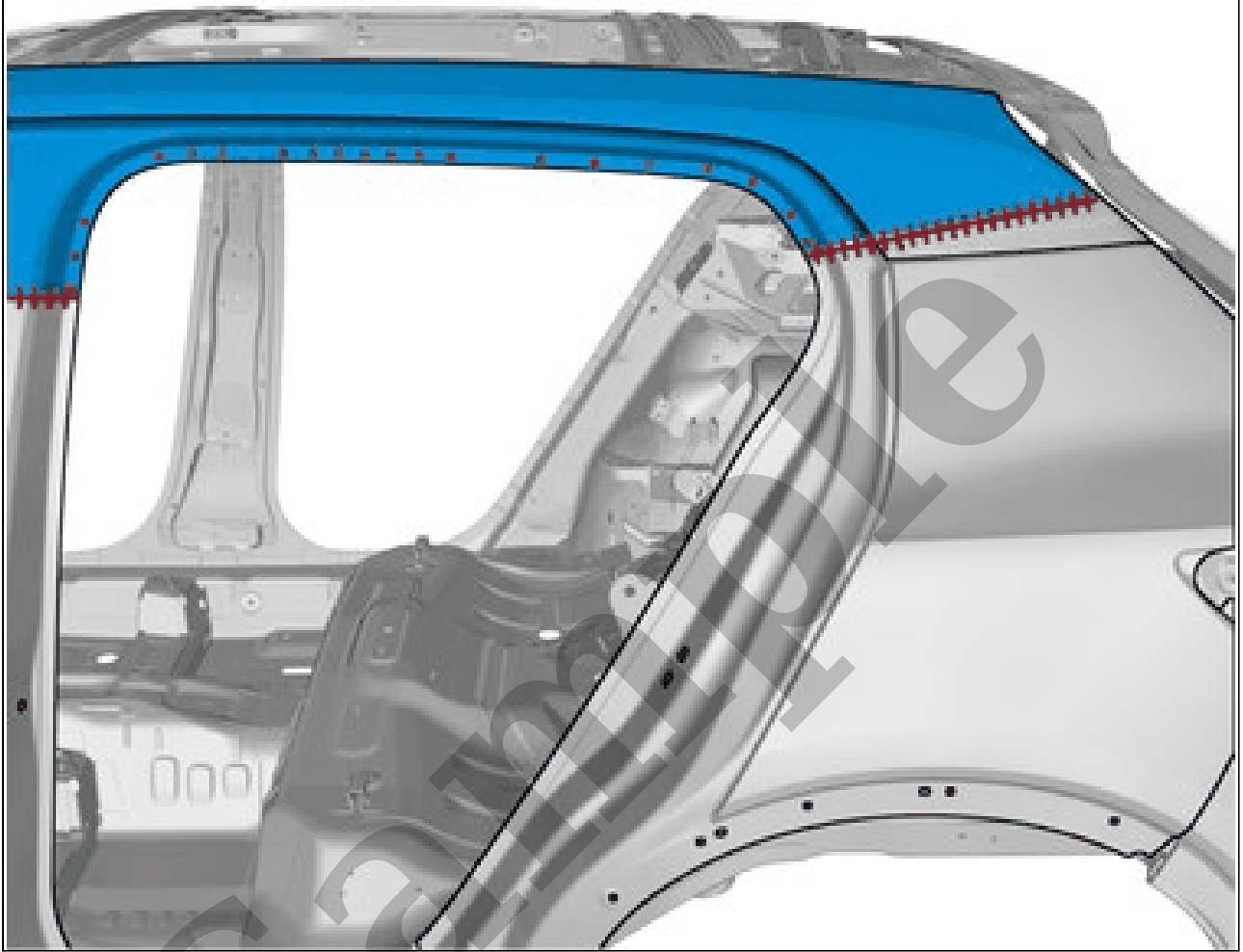
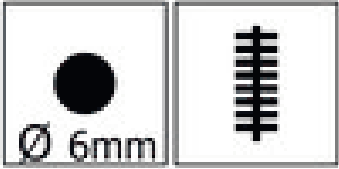
**BODY PANEL REPLACEMENT > SPARE WHEEL WELL > SPARE WHEEL WELL [2018, 2019, 2020, 2021, 2022] > INSTALLATION**



Courtesy of VOLVO CARS CORPORATION



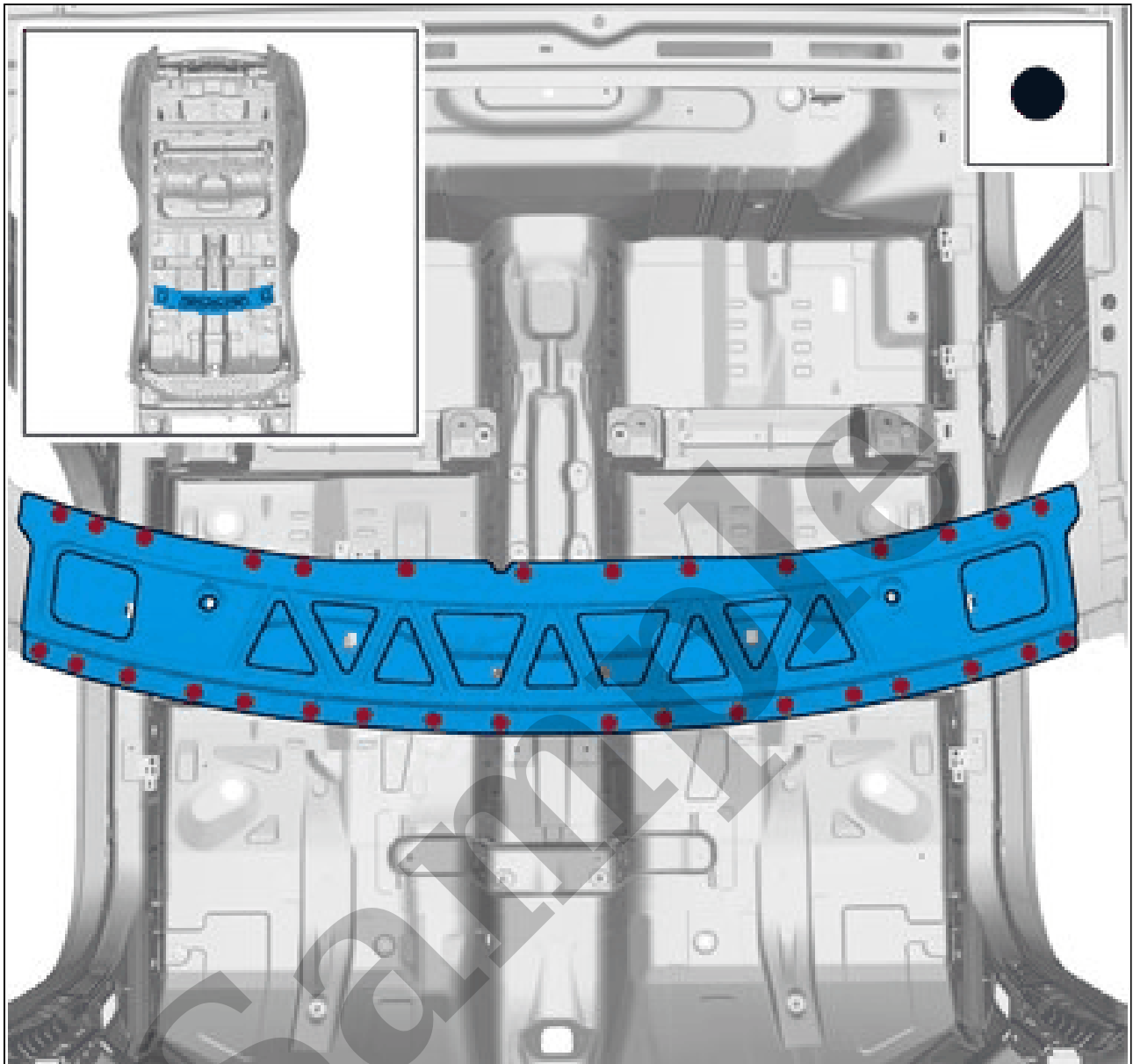
Courtesy of VOLVO CARS CORPORATION



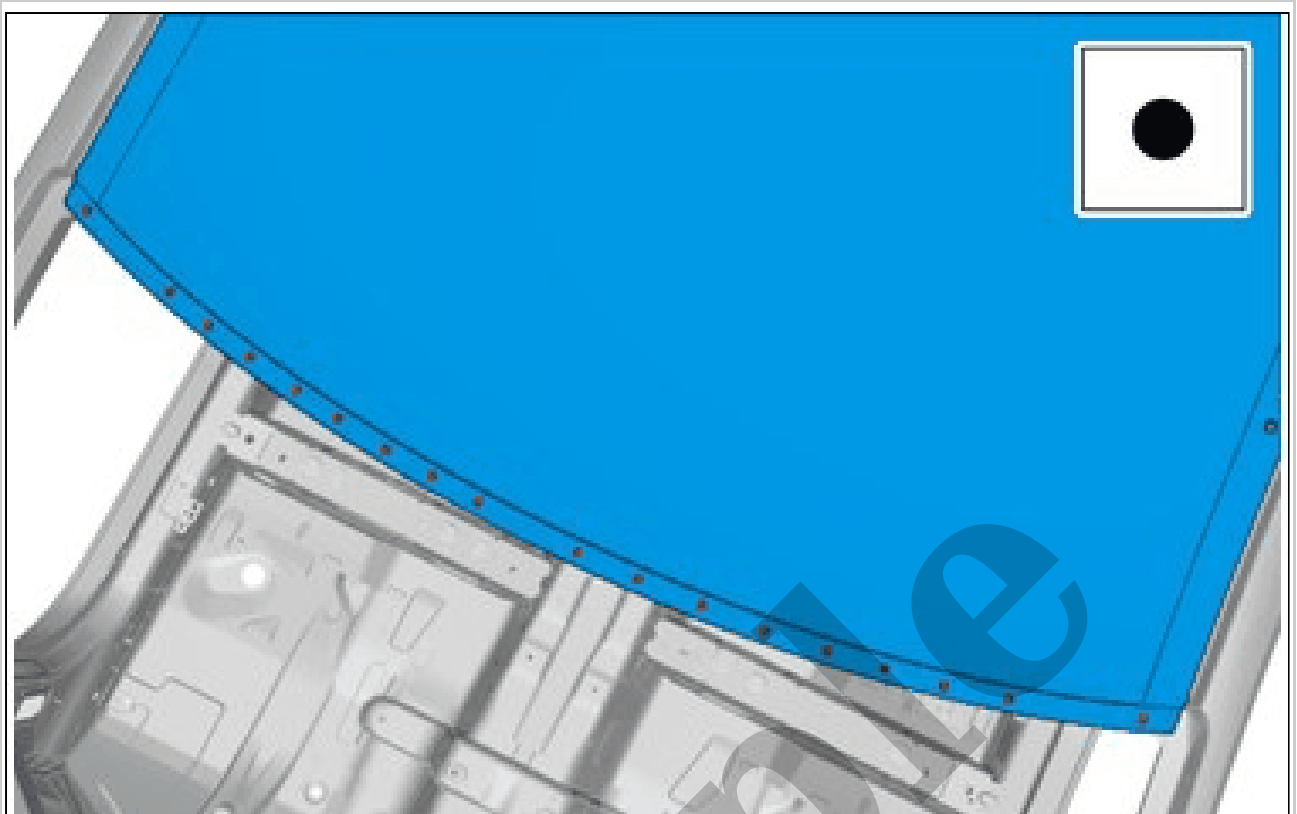
Courtesy of VOLVO CARS CORPORATION



Fig 1: Windshield Header Panel Component Location (W/O Roof Opening Panel)

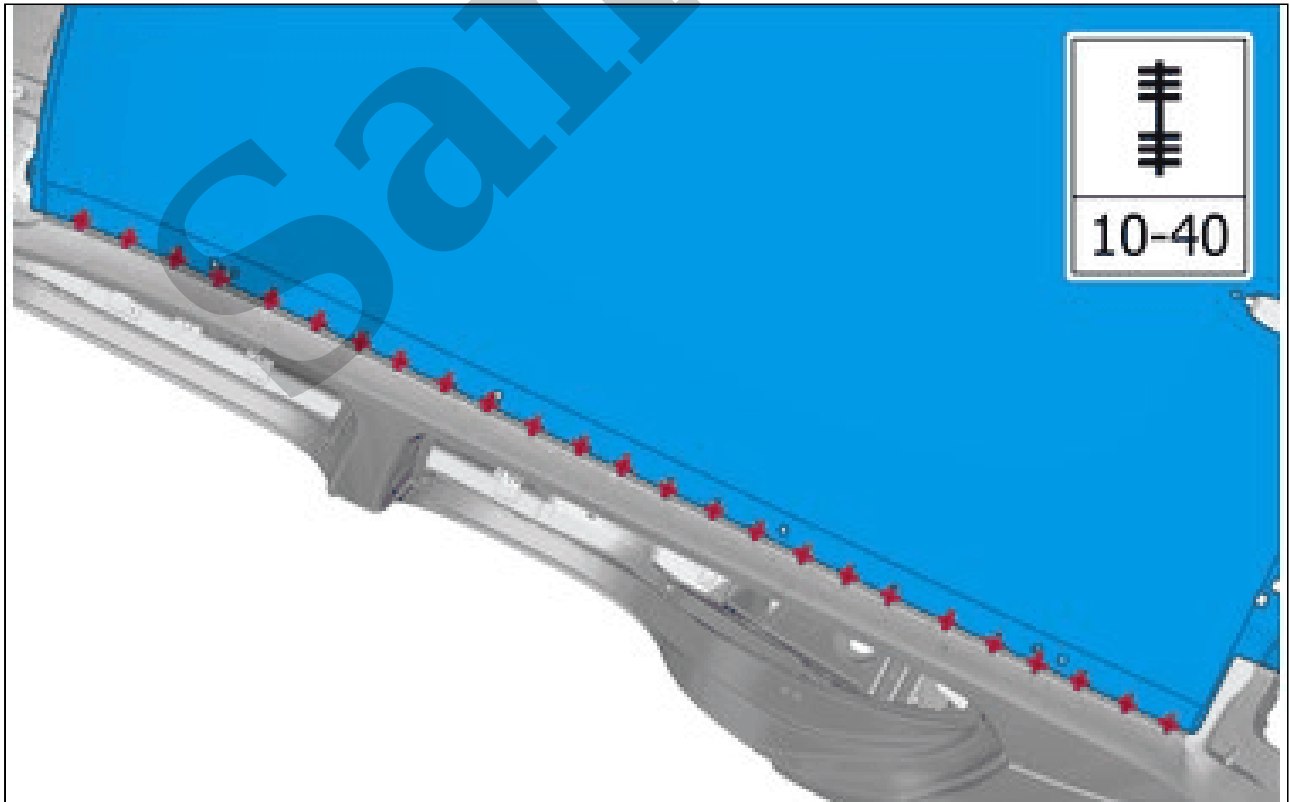


Courtesy of VOLVO CARS CORPORATION



Courtesy of VOLVO CARS CORPORATION

Fig 1: Roof Panel Weld Specifications And Locations (1 Of 2)



Courtesy of VOLVO CARS CORPORATION