

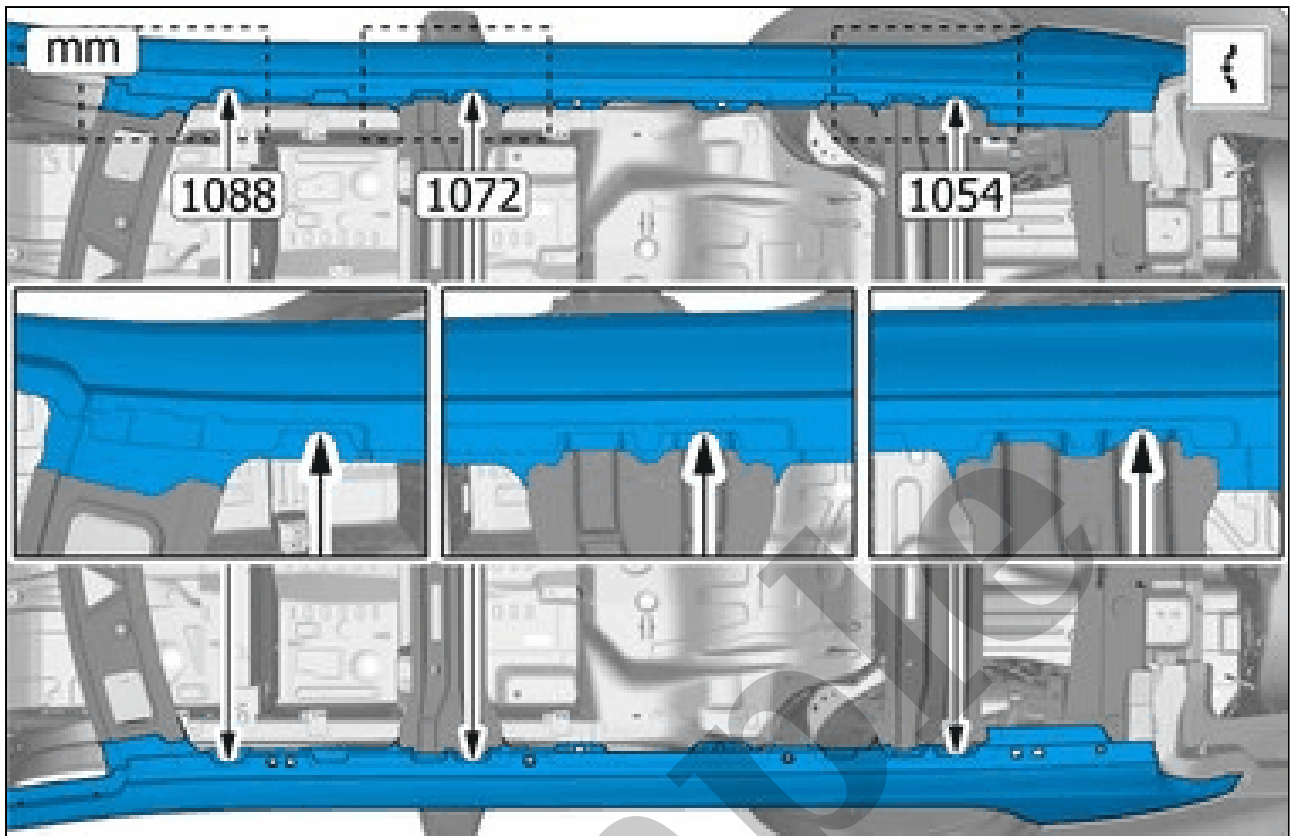
Your Ultimate Source for OEM Repair Manuals

FactoryManuals.net is a great resource for anyone who wants to save money on repairs by doing their own work. The manuals provide detailed instructions and diagrams that make it easy to understand how to fix a vehicle.

2017 VOLVO S90 OEM Service and Repair Workshop Manual

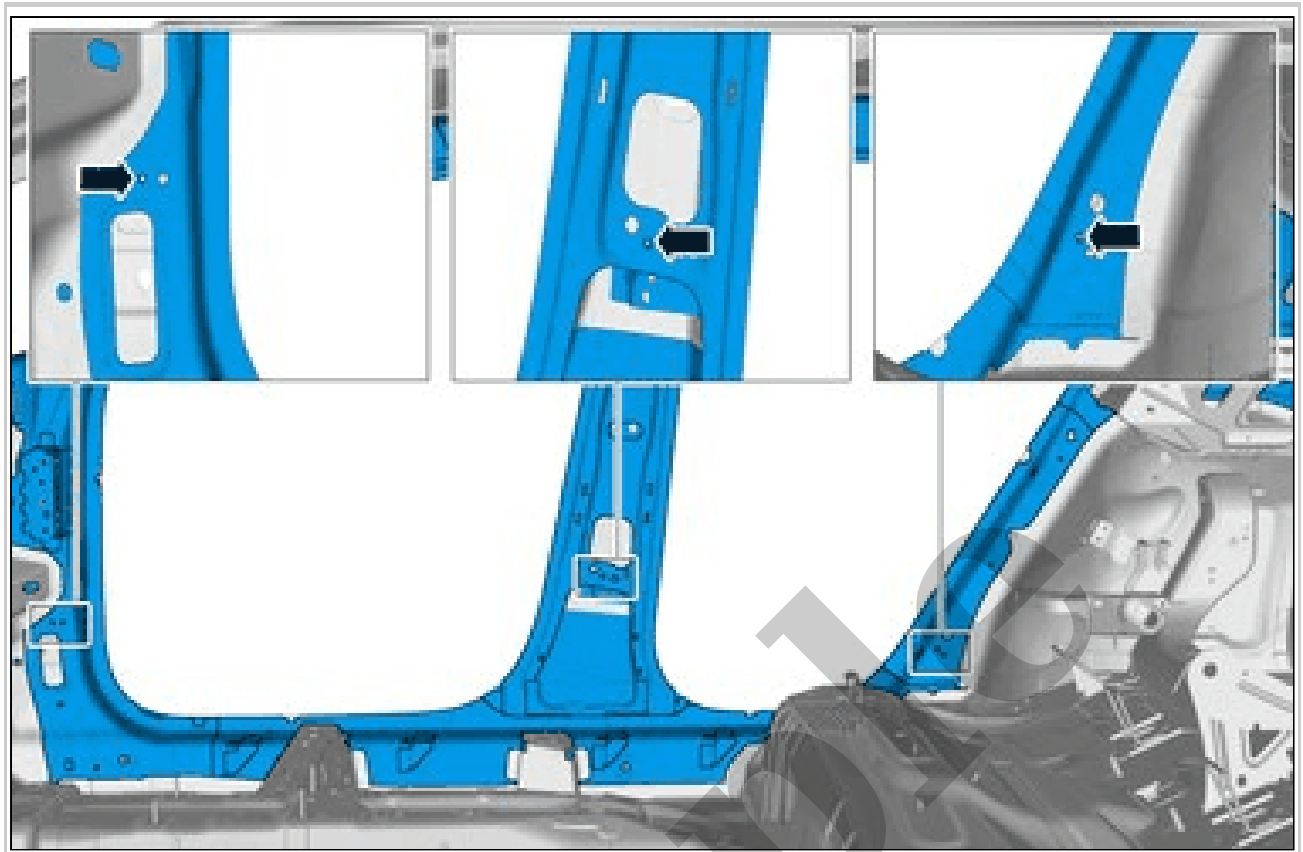
[Go to manual page](#)

Fig 1: Roof Dimensions And Measurement Points



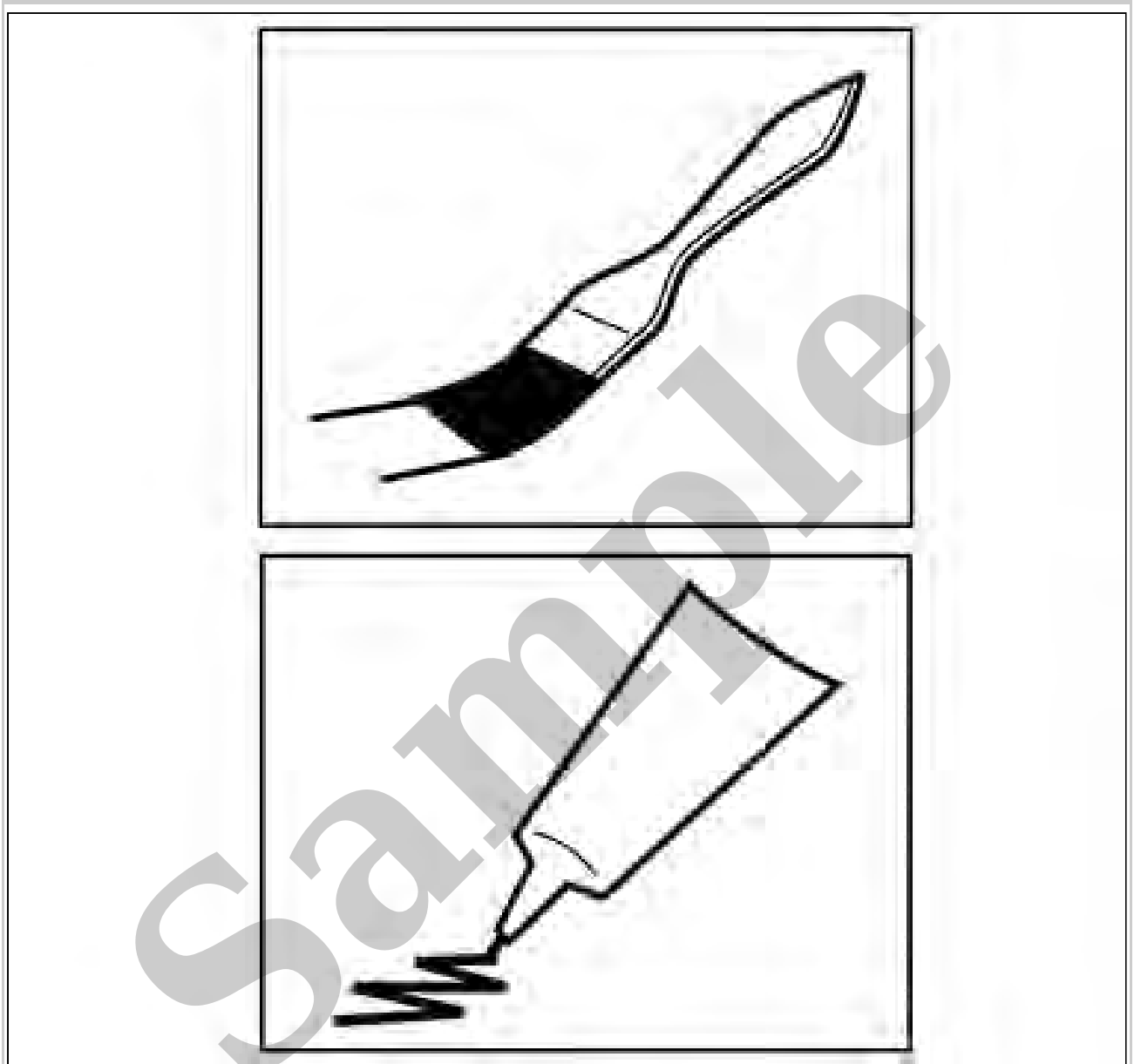
Courtesy of VOLVO CARS CORPORATION

BODY DIMENSIONS > BODY SIDE DIMENSIONS > BODY SIDE [2018, 2019, 2020, 2021, 2022]



Courtesy of VOLVO CARS CORPORATION

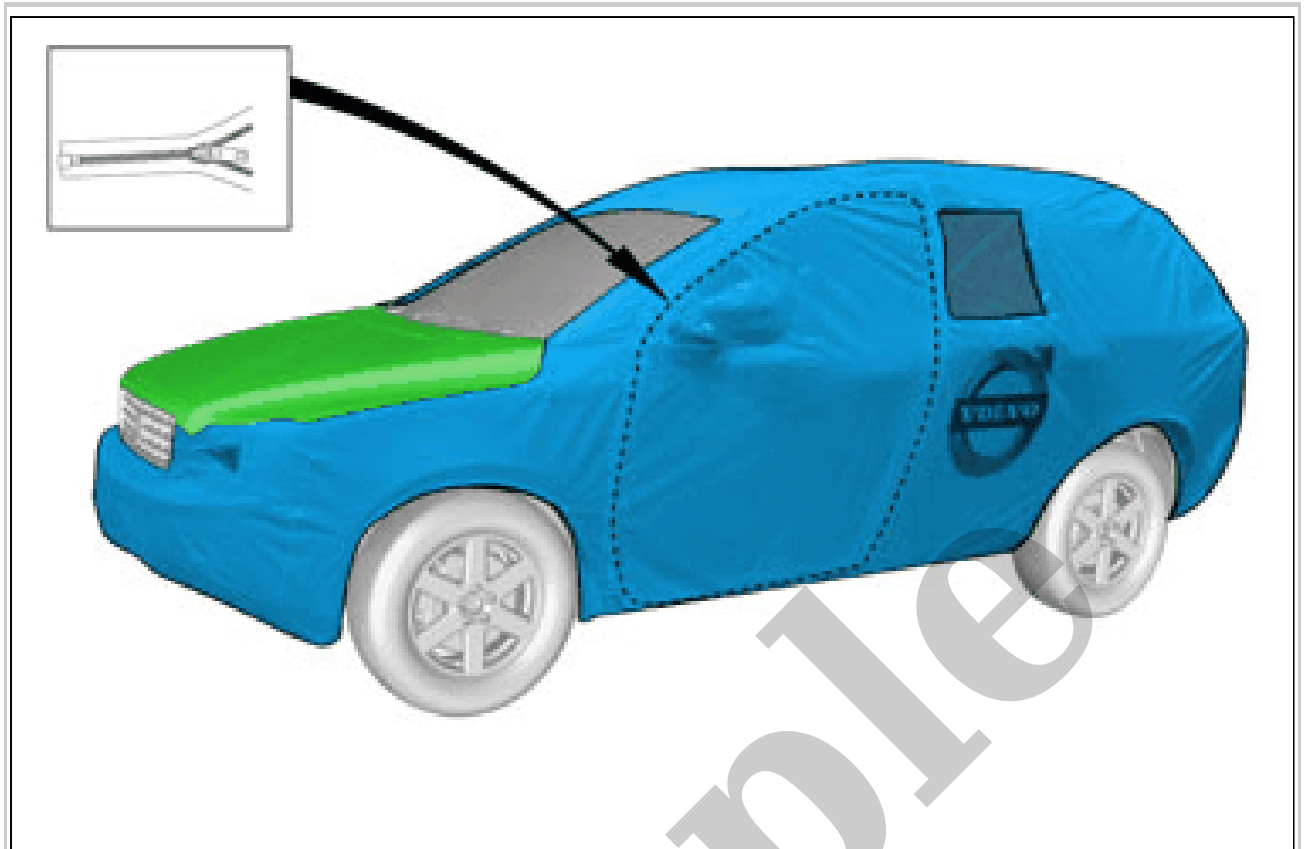
BODY COMPONENTS WITH DOUBLE-SIDED TAPE > COMPONENTS WITH DOUBLE-SIDED TAPE [2018, 2019, 2020, 2021, 2022] > INSTALLATION



Courtesy of VOLVO CARS CORPORATION

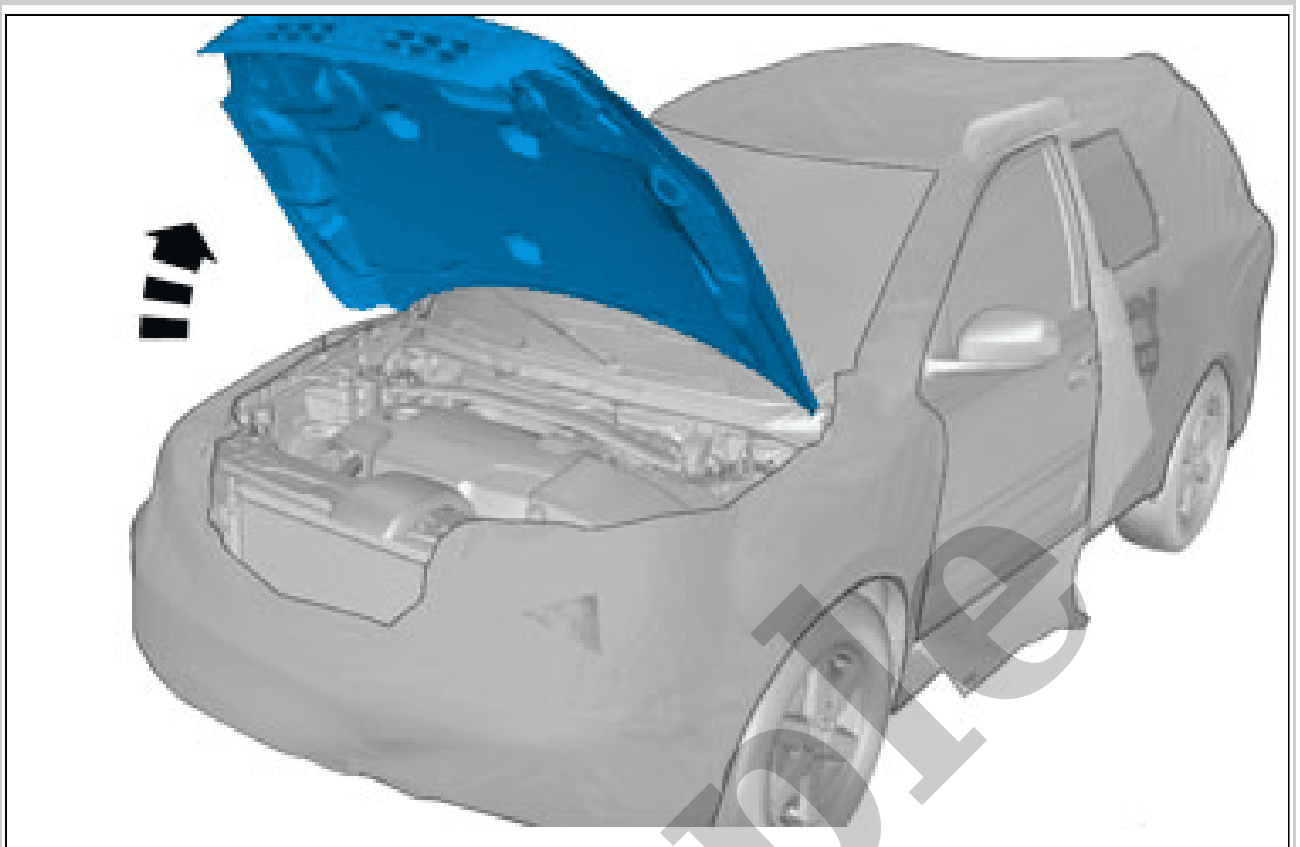
NOTE: Apply a pressure of 35 - 50 N/cm² for 2-3 seconds. This corresponds to a thumb pressure of 3.5 - 5 kg - test with scales first. If the palm of a hand or an application roller is used, remember that the larger surface requires greater force.

Use: Applicator, 1161825

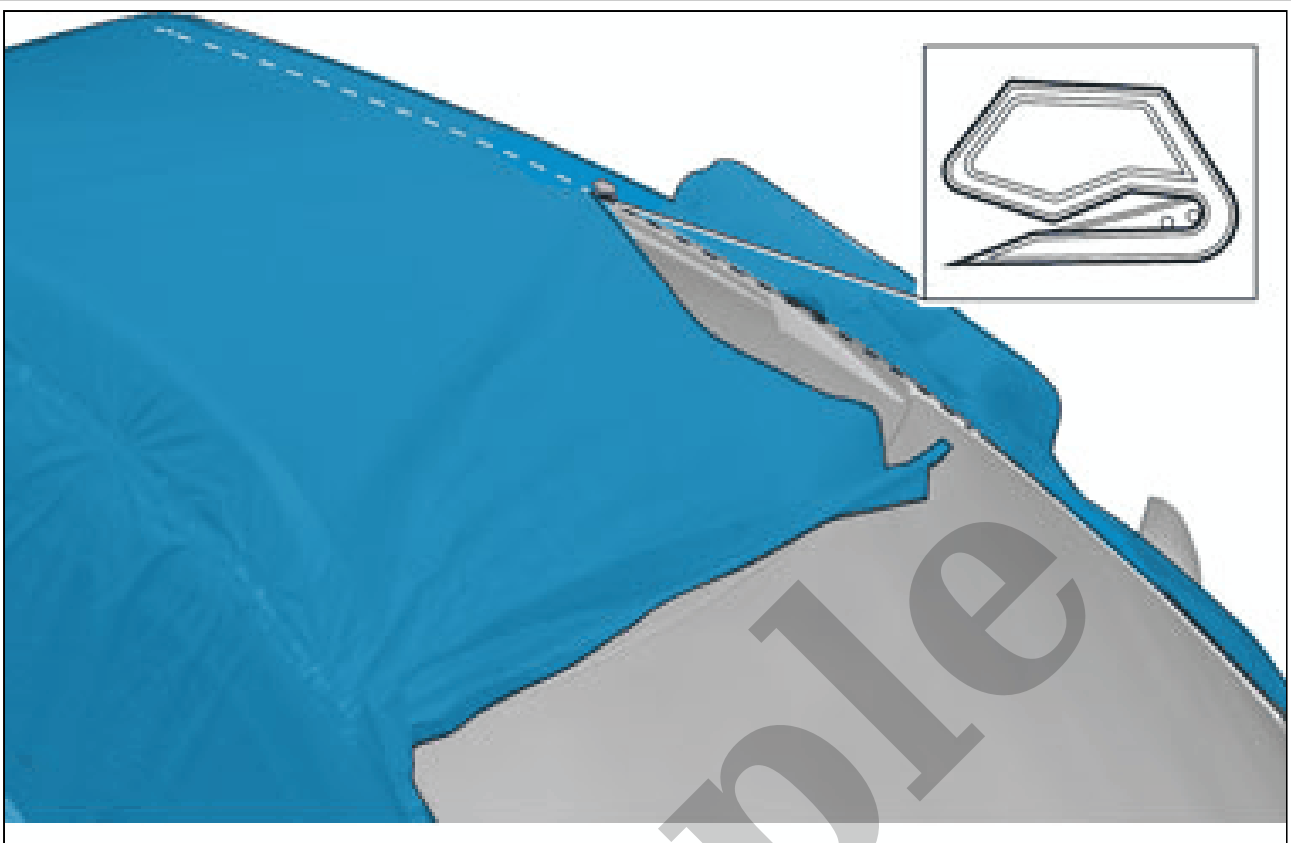


Courtesy of VOLVO CARS CORPORATION

Sample



Courtesy of VOLVO CARS CORPORATION

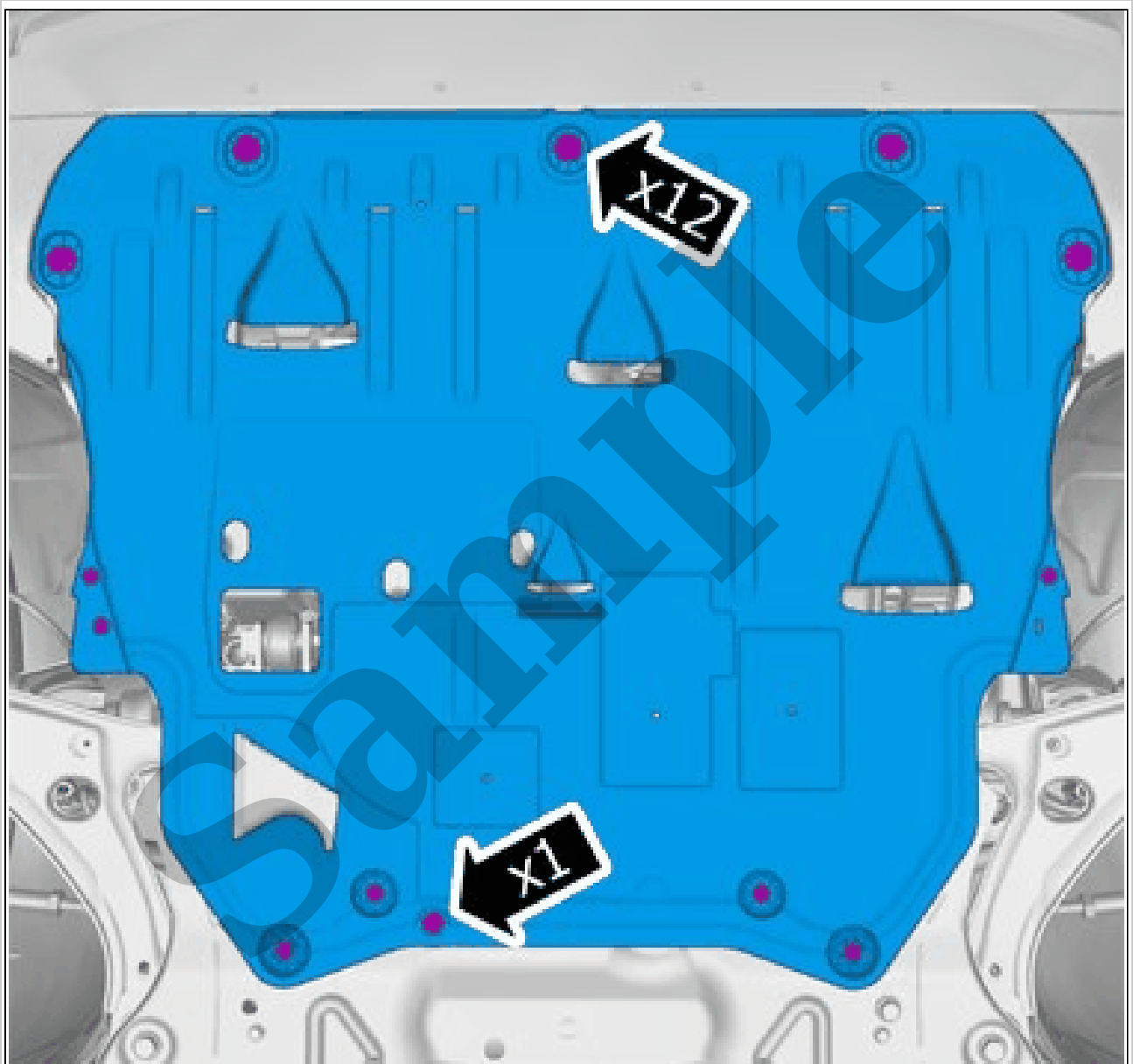


Courtesy of VOLVO CARS CORPORATION

Sample

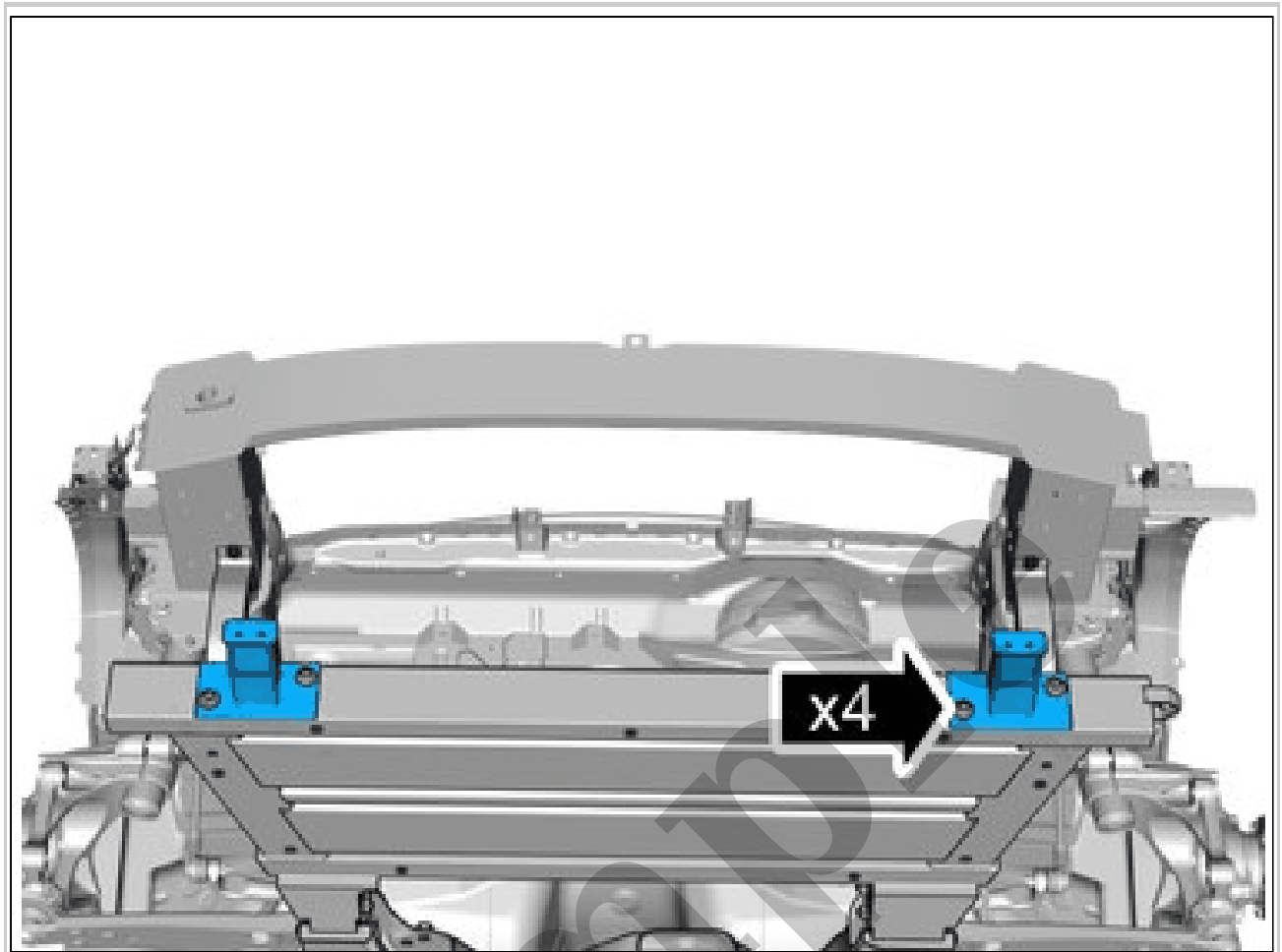
BODY PANEL REPLACEMENT > COLLISION MEMBER > COLLISION MEMBER [2018, 2019, 2020, 2021, 2022] > REMOVAL

NOTE: Removal steps in this procedure may contain installation details.



Courtesy of VOLVO CARS CORPORATION

Remove the screws.
Remove the clip.



Courtesy of VOLVO CARS CORPORATION

Torque: M8, 24Nm

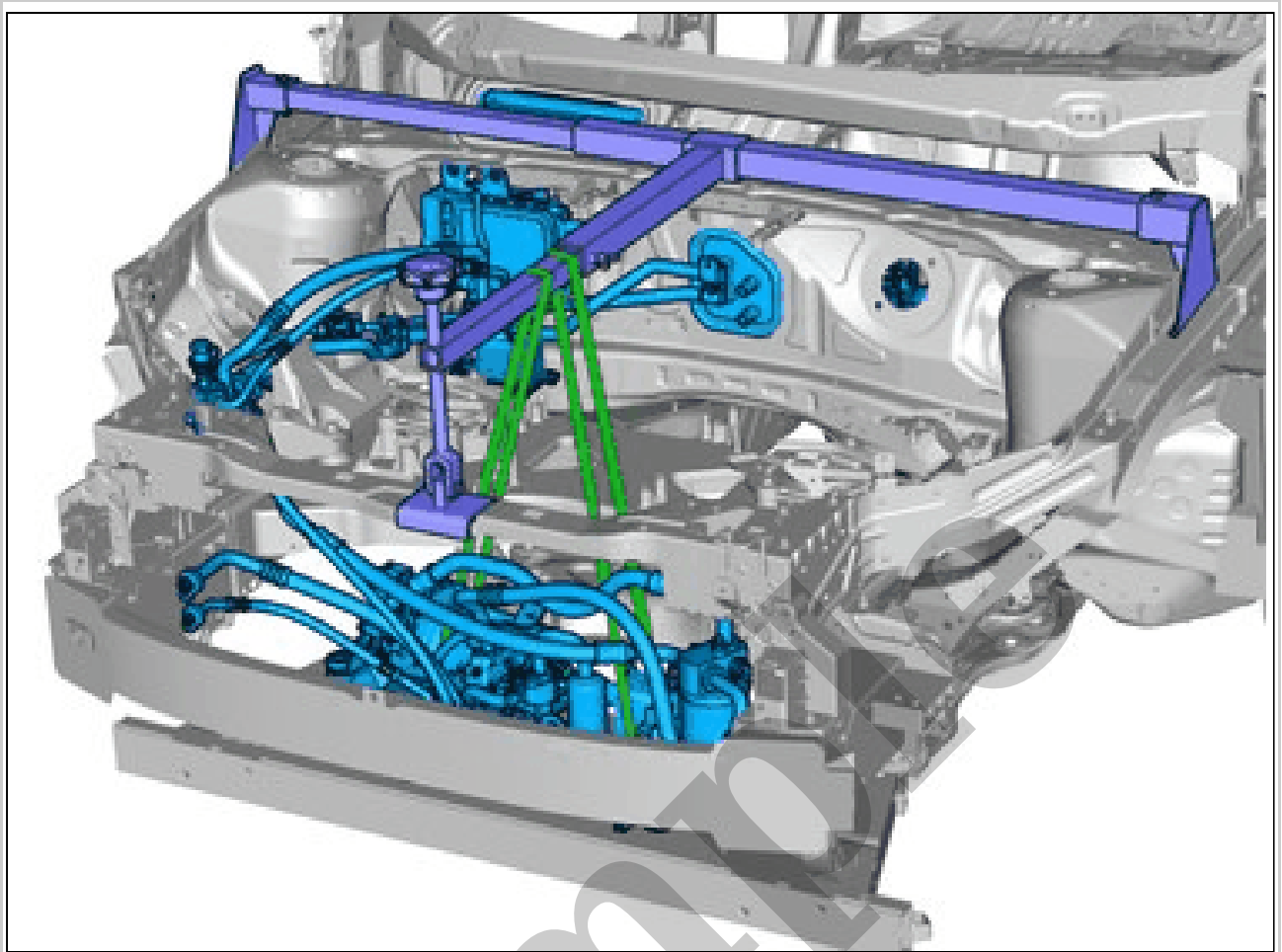
BODY PANEL REPLACEMENT > COLLISION MEMBER > COLLISION MEMBER [2021, E400V6] > INSTALLATION

To install, reverse the removal procedure.

BODY PANEL REPLACEMENT > INNER COLLISION MEMBER > COLLISION MEMBER, INNER [2021-2022, E400V6] > REMOVAL

NOTE: *Removal steps in this procedure may contain installation details.*

Remove luggage compartment, front LUGGAGE COMPARTMENT, FRONT
Remove collision member COLLISION MEMBER



Courtesy of VOLVO CARS CORPORATION

Samurai