

Your Ultimate Source for OEM Repair Manuals

FactoryManuals.net is a great resource for anyone who wants to save money on repairs by doing their own work. The manuals provide detailed instructions and diagrams that make it easy to understand how to fix a vehicle.

2017 MAZDA CX-5 OEM Service and Repair Workshop Manual

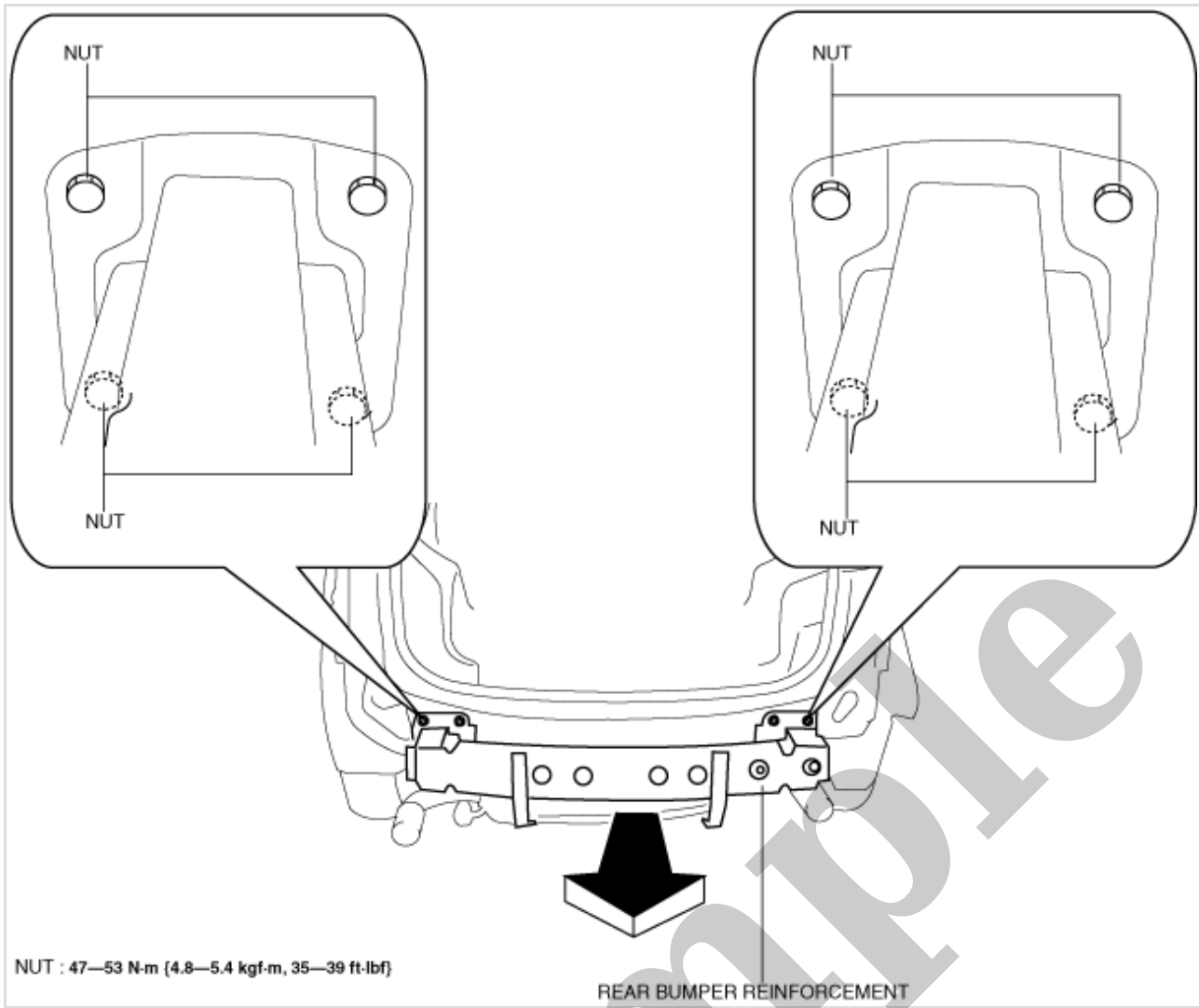
[Go to manual page](#)

17.If the rear bumper is replaced, perform the blind spot monitoring (BSM) radar test. (with blind spot monitoring (BSM) system) (See **BLIND SPOT MONITORING (BSM) RADAR TEST.**)

Caution

- If the rear bumper installation position is changed or individual differences (coating film/thickness) occur, the blind spot monitoring (BSM) control module radar angle will deviate which could result in the module not detecting a vehicle approaching from the rear correctly. If the rear bumper is replaced, perform the blind spot monitoring (BSM) radar test.

Sample



5.Remove the rear bumper reinforcement in the direction of the arrow shown in the figure.

6.Install in the reverse order of removal.

HOOD REMOVAL/INSTALLATION

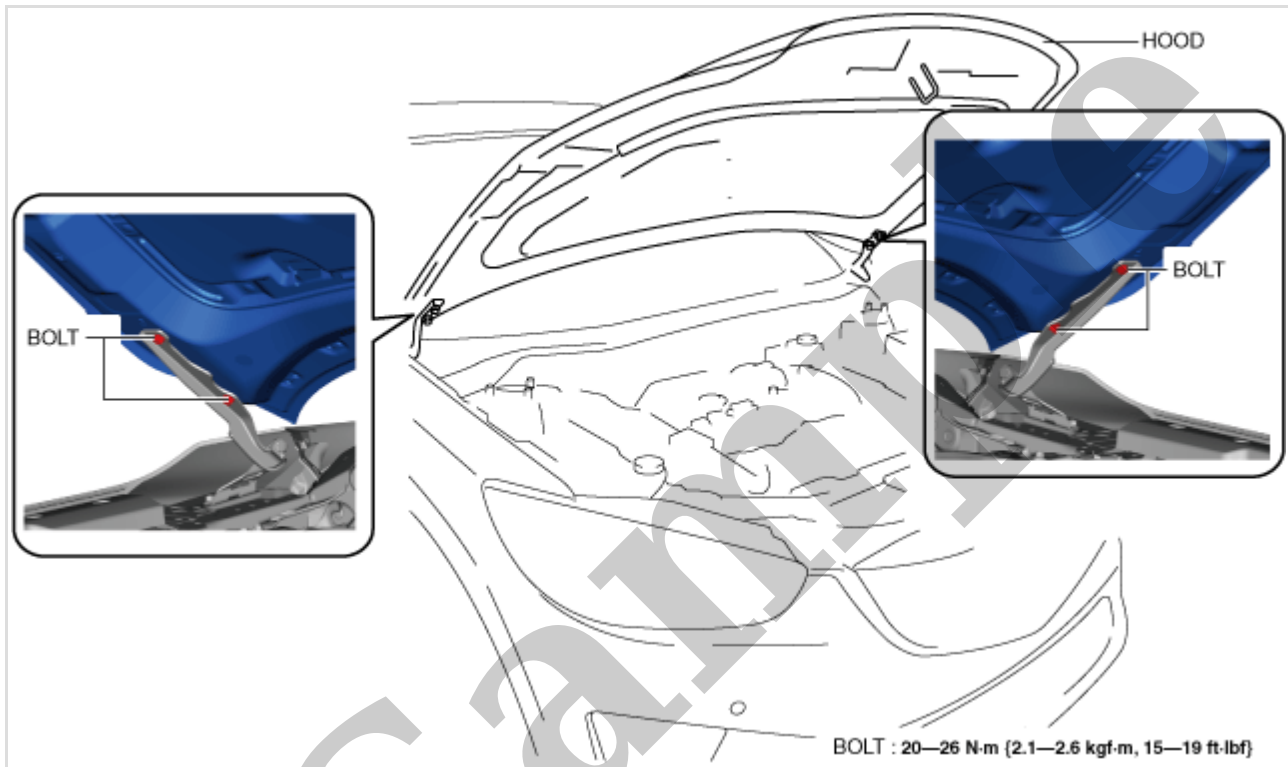
SM2899232

id09100080120

Warning

- Always perform the procedure with at least another person to prevent the hood from falling. Otherwise, the hood may fall and cause injury.

1.Remove the bolts.



2.Remove the hood.

- When removing the hood hinge, perform the following procedure:

1. Remove the bolts.

SHROUD PANEL REMOVAL/INSTALLATION

SM2899234

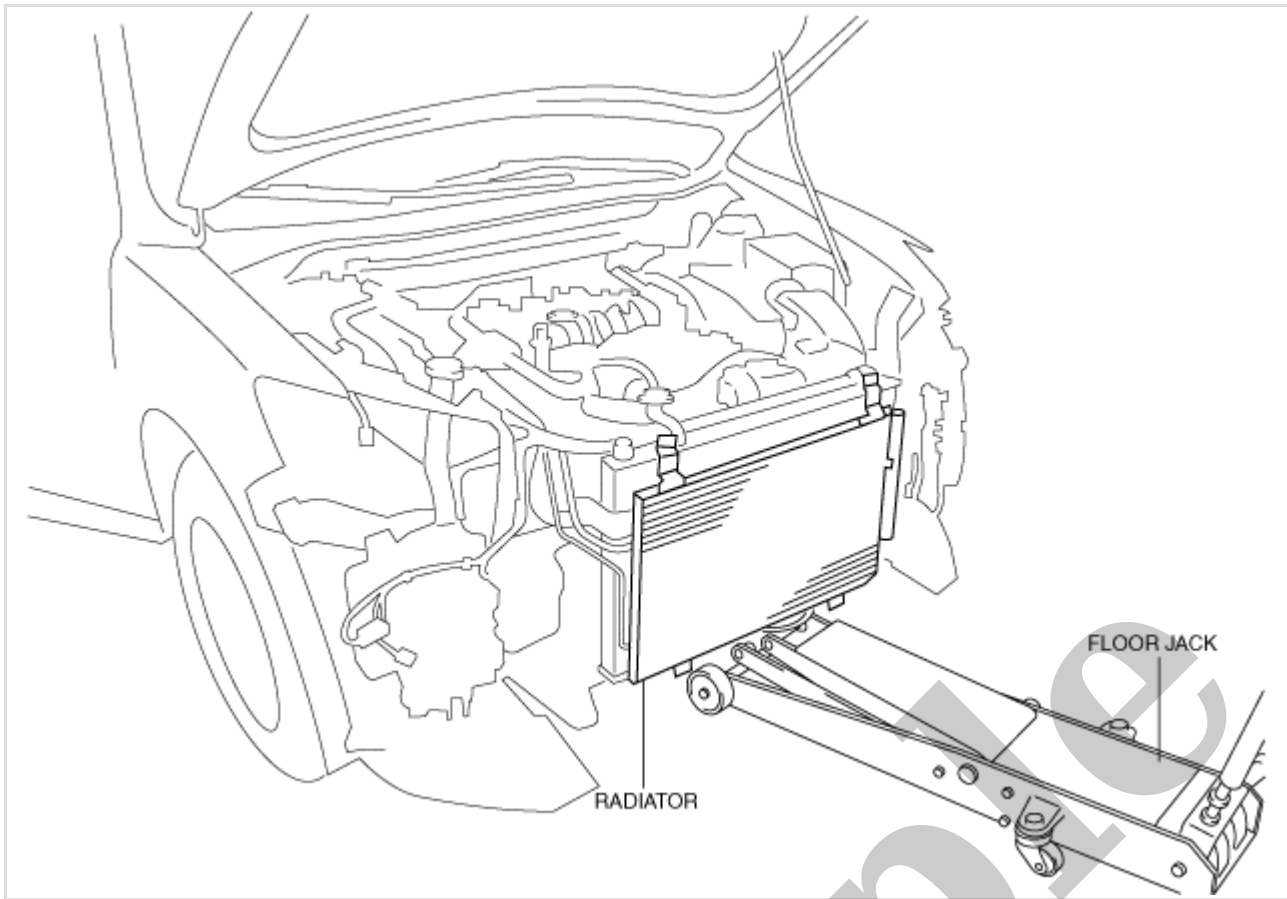
id09100080190

1. Disconnect the negative battery terminal. (See [NEGATIVE BATTERY TERMINAL DISCONNECTION/CONNECTION.](#))

2. Remove the following parts:

- (1) Seal board upper (See [SEAL BOARD UPPER REMOVAL/INSTALLATION.](#))
- (2) Front bumper (See [FRONT BUMPER REMOVAL/INSTALLATION.](#))
- (3) Front combination light (See [FRONT COMBINATION LIGHT REMOVAL/INSTALLATION.](#))
- (4) Set plate (See [SET PLATE REMOVAL/INSTALLATION.](#))
- (5) Energy-absorbing form (See [ENERGY-ABSORBING FORM REMOVAL/INSTALLATION.](#))
- (6) Front under cover No.1 (See [FRONT UNDER COVER No.1 REMOVAL/INSTALLATION.](#))
- (7) Active air shutter (with active air shutter) (See [ACTIVE AIR SHUTTER REMOVAL/INSTALLATION.](#))
- (8) Charge air cooler (with charge air cooler) (See [CHARGE AIR COOLER REMOVAL/INSTALLATION \[SKYACTIV-D 2.2\].](#)) (See [CHARGE AIR COOLER REMOVAL/INSTALLATION \[SKYACTIV-G 2.5T\].](#))
- (9) Bumper stiffener lower (See [BUMPER STIFFENER LOWER REMOVAL/INSTALLATION.](#))
- (10) Seal plate (with seal plate) (See [SEAL PLATE REMOVAL/INSTALLATION.](#))
- (11) Front bumper reinforcement (See [FRONT BUMPER REINFORCEMENT REMOVAL/INSTALLATION.](#))
- (12) Horn (See [HORN REMOVAL/INSTALLATION.](#))
- (13) Shroud upper member (See [SHROUD UPPER MEMBER REMOVAL/INSTALLATION.](#))
- (14) Radar unit (with Mazda radar cruise control (MRCC) system) (See [RADAR UNIT REMOVAL/INSTALLATION.](#))
- (15) Hood latch (See [HOOD LATCH REMOVAL/INSTALLATION.](#))
- (16) Crash zone sensor (See [CRASH ZONE SENSOR REMOVAL/INSTALLATION \[STANDARD DEPLOYMENT CONTROL SYSTEM - MEXICO SPEC.\].](#)) (See [CRASH ZONE SENSOR REMOVAL/INSTALLATION \[TWO-STEP DEPLOYMENT CONTROL SYSTEM - US/CANADA/ISRAEL SPEC.\].](#))
- (17) Ambient temperature sensor (See [AMBIENT TEMPERATURE SENSOR REMOVAL/INSTALLATION \[FULL-AUTO AIR CONDITIONER\].](#))
- (18) Fresh air duct installation bolt (See [INTAKE-AIR SYSTEM REMOVAL/INSTALLATION \[SKYACTIV-G 2.5 \(WITHOUT CYLINDER DEACTIVATION\)\].](#)) (See [INTAKE-AIR SYSTEM REMOVAL/INSTALLATION \[SKYACTIV-G \(WITHOUT EGR COOLER\)\].](#)) (See [INTAKE-AIR SYSTEM REMOVAL/INSTALLATION \[SKYACTIV-G \(WITH EGR COOLER\)\].](#)) (See [INTAKE-AIR SYSTEM REMOVAL/INSTALLATION \[SKYACTIV-G 2.5T\].](#)) (See [INTAKE-AIR SYSTEM REMOVAL/INSTALLATION \[SKYACTIV-D 2.2\].](#))

3. While pressing the tabs of wiring harness clips A and B in the directions of the arrows, remove wiring harness clips A and B secured to the shroud panel.



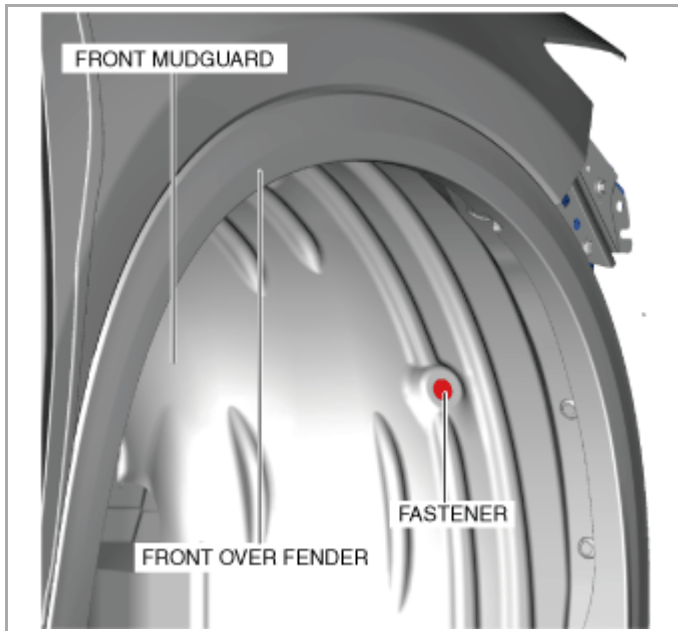
ac5uuw00006862

9. Install in the reverse order of removal.

10. Adjust the headlight aiming. (See [HEADLIGHT AIMING](#).)

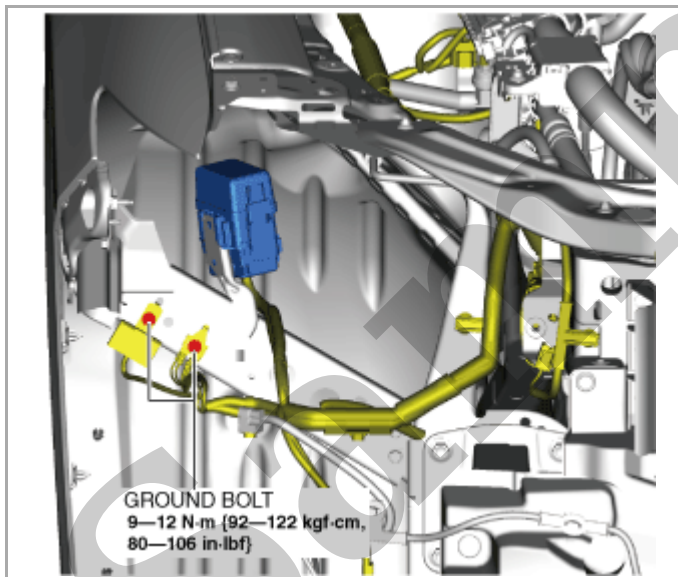
11. Adjust the radar unit aiming. (with MRCC system) (See [RADAR UNIT AIMING](#).)

8	Fuel-filler lid (See FUEL-FILLER LID REMOVAL/INSTALLATION.) (See FUEL-FILLER LID ADJUSTMENT.)
9	Front fender insulator No.2 (See FRONT FENDER INSULATOR REMOVAL/INSTALLATION.)
10	Front over fender (See FRONT OVER FENDER REMOVAL/INSTALLATION.)
11	Front fender panel (See FRONT FENDER PANEL REMOVAL/INSTALLATION.) (See FRONT FENDER STAY REMOVAL/INSTALLATION.)
12	Front fender insulator No.1 (See FRONT FENDER INSULATOR REMOVAL/INSTALLATION.)
13	Front bumper slider (See BUMPER SLIDER REMOVAL/INSTALLATION.)
14	Front bumper reinforcement (See FRONT BUMPER REINFORCEMENT REMOVAL/INSTALLATION.)
15	Energy-absorbing form (See ENERGY-ABSORBING FORM REMOVAL/INSTALLATION.)
16	Seal plate (with seal plate) (See SEAL PLATE REMOVAL/INSTALLATION.)
17	Bumper stiffener lower (See BUMPER STIFFENER LOWER REMOVAL/INSTALLATION.)
18	Rear over fender (See REAR OVER FENDER REMOVAL/INSTALLATION.)
19	Rear bumper slider (See BUMPER SLIDER REMOVAL/INSTALLATION.)
20	Rear bumper (See REAR BUMPER REMOVAL/INSTALLATION.) (See REAR BUMPER DISASSEMBLY/ASSEMBLY.)
21	Rear bumper reinforcement (See REAR BUMPER REINFORCEMENT REMOVAL/INSTALLATION.)



ac5uuw00008891

4.Remove the ground bolts.



ac5uuw00008892

5.Remove the grounds.

6.Remove the bolts.

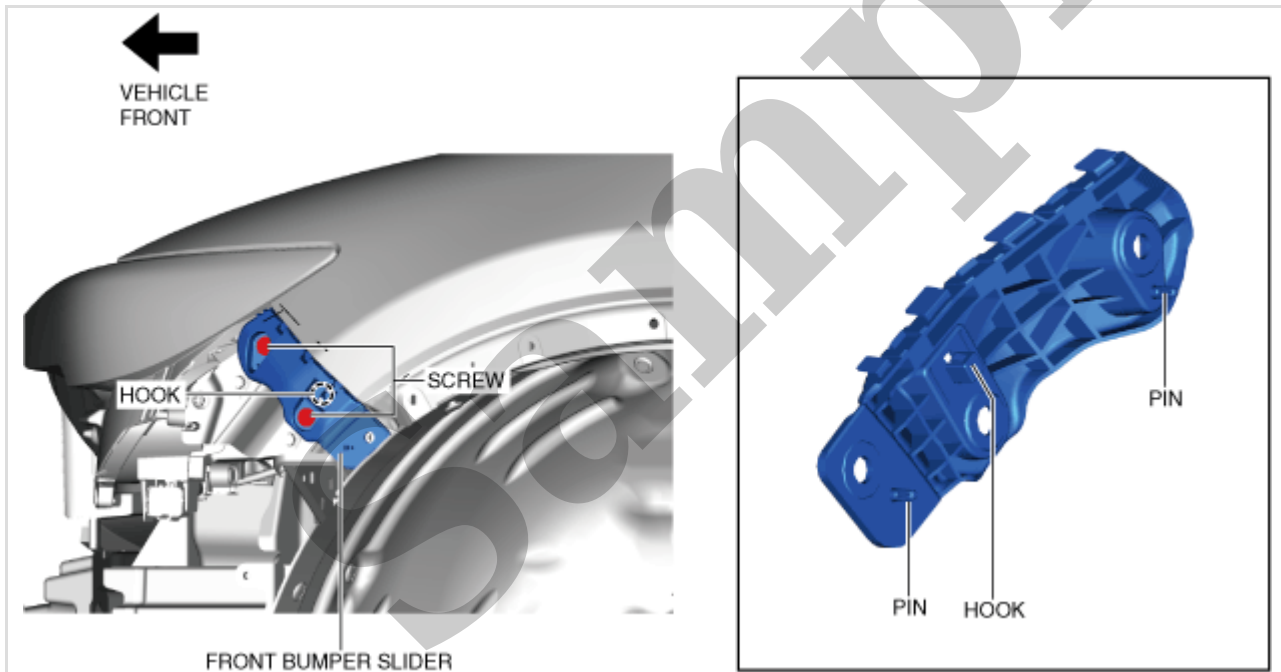
BUMPER SLIDER REMOVAL/INSTALLATION

SM2899239

id09100082250

Front Bumper Slider

1. Disconnect the negative battery terminal. (See [NEGATIVE BATTERY TERMINAL DISCONNECTION/CONNECTION.](#))
2. Remove the seal board upper. (See [SEAL BOARD UPPER REMOVAL/INSTALLATION.](#))
3. Remove the front bumper. (See [FRONT BUMPER REMOVAL/INSTALLATION.](#))
4. Remove the screws.



ac5uuw00008897

5. Disengage the pins and hook, remove the front bumper slider.

6. Install in the reverse order of removal.

Rear Bumper Slider

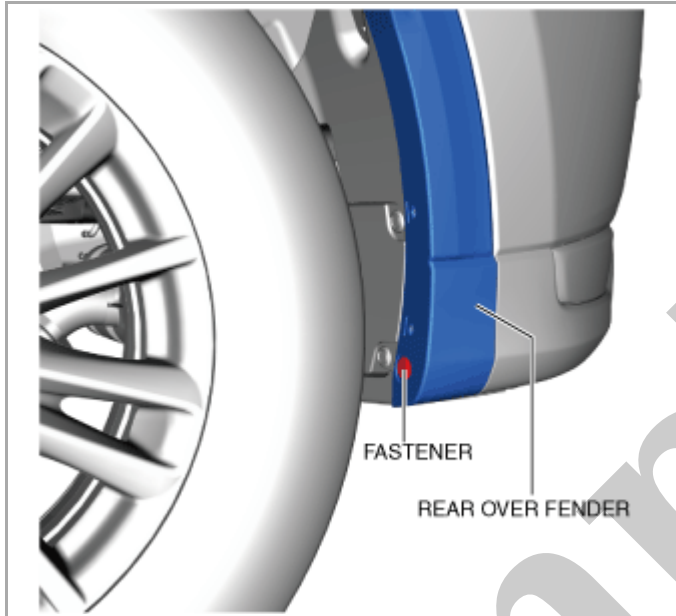
1. Disconnect the negative battery terminal. (See [NEGATIVE BATTERY TERMINAL DISCONNECTION/CONNECTION.](#))

REAR OVER FENDER REMOVAL/INSTALLATION

SM2899241

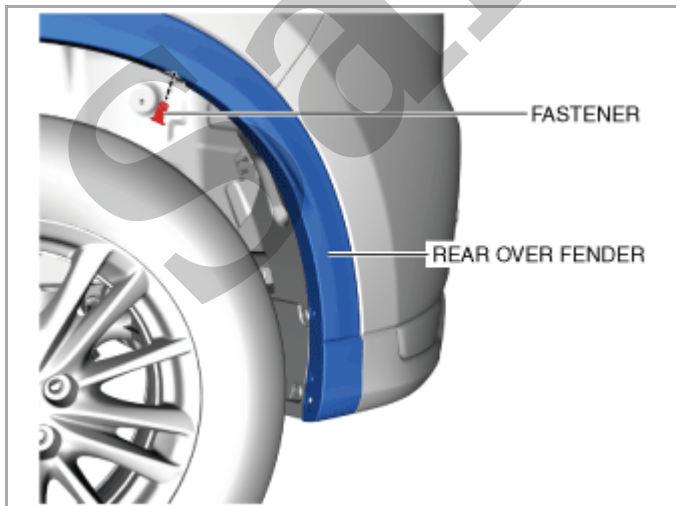
id09100087880

1.Remove the fastener.



ac5uuw00008901

2.Remove the fastener.



ac5uuw00008902

3.Remove the tab.