

Your Ultimate Source for OEM Repair Manuals

FactoryManuals.net is a great resource for anyone who wants to save money on repairs by doing their own work. The manuals provide detailed instructions and diagrams that make it easy to understand how to fix a vehicle.

2017 FORD Focus RS OEM Service and Repair Workshop Manual

[Go to manual page](#)

Hood Latch Release Cable Actuator - Electric

501-14 Handles, Locks, Latches and Entry Systems	2022 F-150
Removal and Installation	Procedure revision date: 03/10/2022

Hood Latch Release Cable Actuator - Electric

Removal

NOTE

Removal steps in this procedure may contain installation details.

1. Remove the hood latch.

Refer to: [Hood Latch - Electric](#)(501-14 Handles, Locks, Latches and Entry Systems, Removal and Installation).

2. Remove the hood latch release cable actuator.

1. Disconnect the hood latch release cable actuator electrical connector.
2. Remove the nuts and the hood latch release cable actuator.

Torque : 80 lb.in (9 Nm)



Hood Latch Release Cable

501-14 Handles, Locks, Latches and Entry Systems	2022 F-150
Removal and Installation	Procedure revision date: 10/2/2020

Hood Latch Release Cable

Removal

1. Remove the hood latch.

Refer to: [Hood Latch](#)(501-14 Handles, Locks, Latches and Entry Systems, Removal and Installation).

2. Remove the air cleaner.

Refer to: [Air Cleaner](#)(303-12E Intake Air Distribution and Filtering - 5.0L 32V Ti-VCT, Removal and Installation).

Refer to: [Air Cleaner](#)(303-12D Intake Air Distribution and Filtering - 3.5L V6 PowerBoost (CN), Removal and Installation).

Refer to: [Air Cleaner](#)(303-12C Intake Air Distribution and Filtering - 3.5L EcoBoost (BM), Removal and Installation).

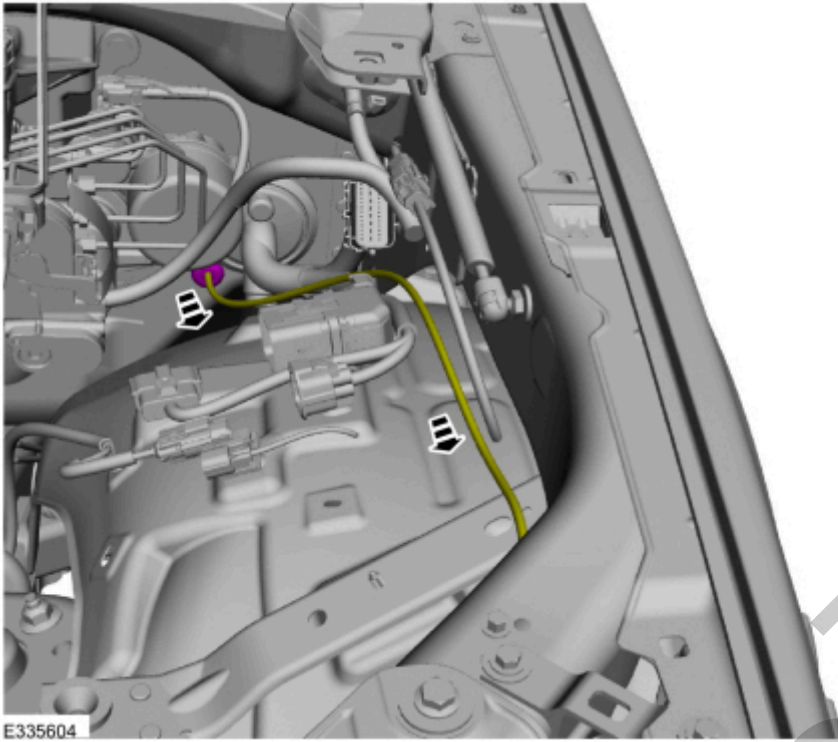
Refer to: [Air Cleaner](#)(303-12B Intake Air Distribution and Filtering - 3.3L Duratec-V6, Removal and Installation).

Refer to: [Air Cleaner](#)(303-12A Intake Air Distribution and Filtering - 2.7L EcoBoost (238kW/324PS), Removal and Installation).

3. Remove the left headlamp assembly.

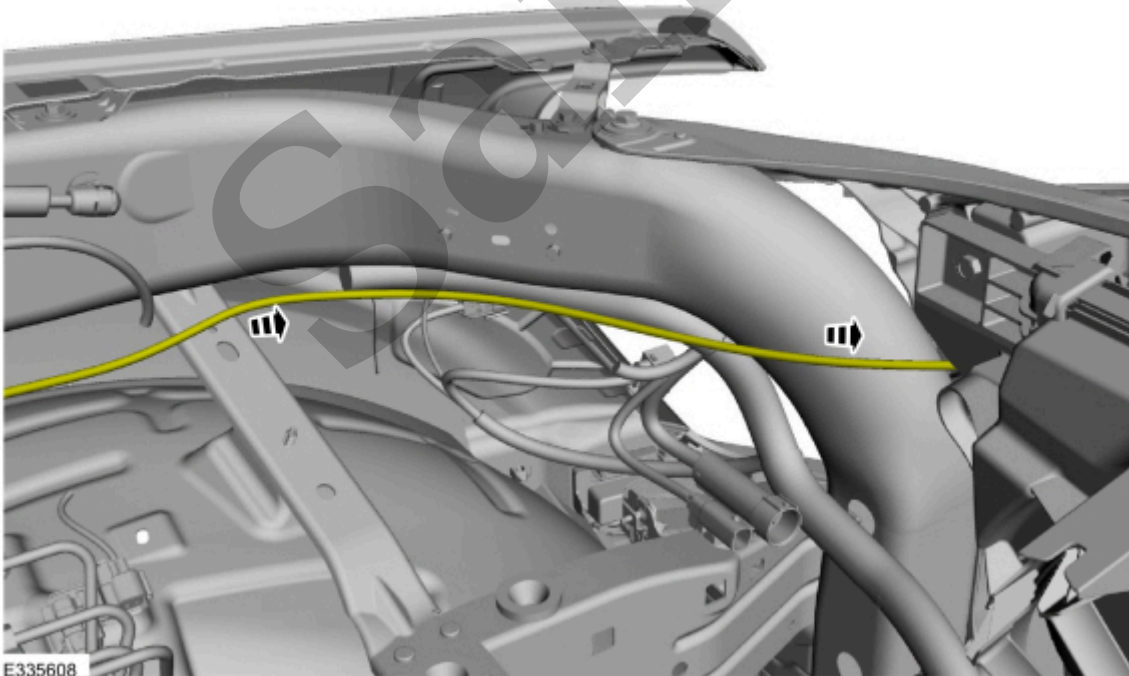
Refer to: [Headlamp Assembly](#)(417-01 Exterior Lighting, Removal and Installation).

4. Remove the hood latch release handle.



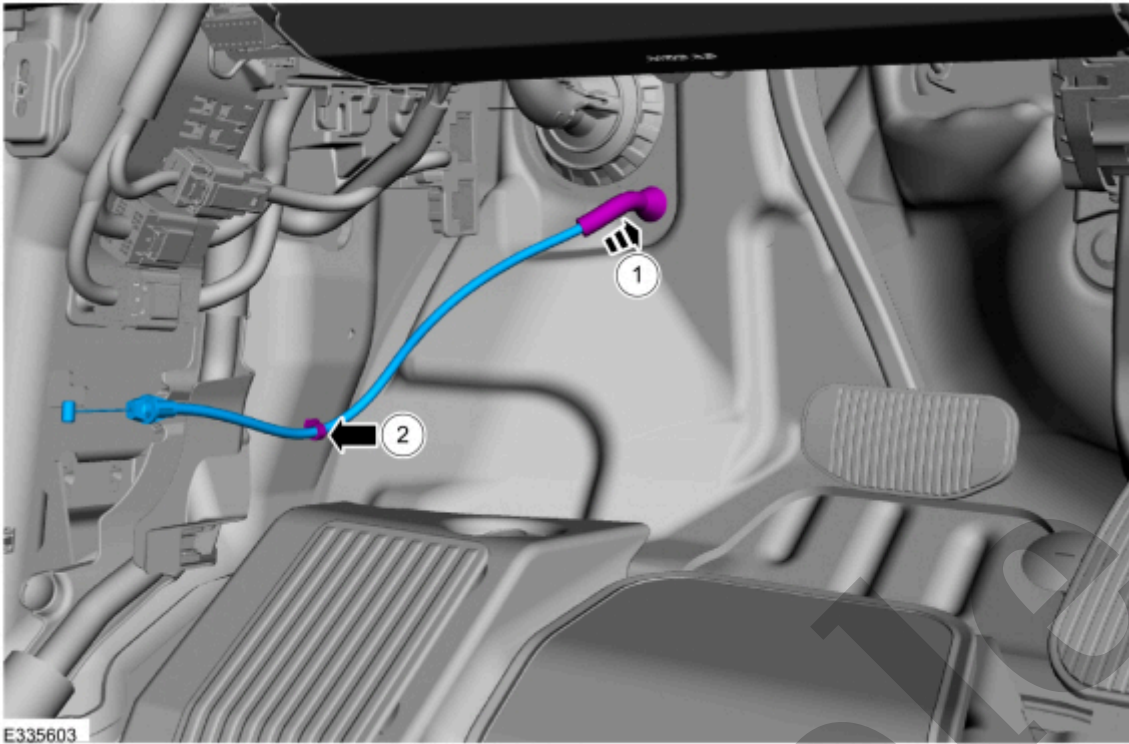
[Click here to learn about symbols, color coding, and icons used in this manual.](#)

7. Route the hood latch release cable through the engine compartment.



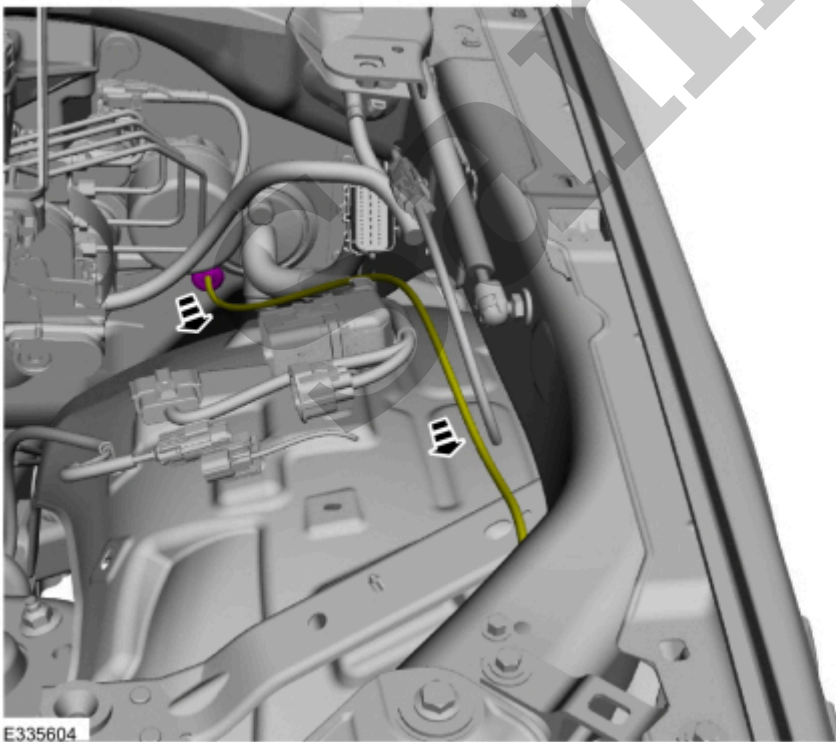
[Click here to learn about symbols, color coding, and icons used in this manual.](#)

8. Remove the hood latch release cable.



[Click here to learn about symbols, color coding, and icons used in this manual.](#)

2. Route the hood latch release cable through the engine compartment.



[Click here to learn about symbols, color coding, and icons used in this manual.](#)

3. Route the hood latch release cable through the engine compartment.

[Click here to learn about symbols, color coding, and icons used in this manual.](#)

5. Install the hood latch release handle.

Refer to: [Hood Latch Release Handle](#)(501-14 Handles, Locks, Latches and Entry Systems, Removal and Installation).

6. Install the left headlamp assembly.

Refer to: [Headlamp Assembly](#)(417-01 Exterior Lighting, Removal and Installation).

7. Install the air cleaner.

Refer to: [Air Cleaner](#)(303-12E Intake Air Distribution and Filtering - 5.0L 32V Ti-VCT, Removal and Installation).

Refer to: [Air Cleaner](#)(303-12D Intake Air Distribution and Filtering - 3.5L V6 PowerBoost (CN), Removal and Installation).

Refer to: [Air Cleaner](#)(303-12C Intake Air Distribution and Filtering - 3.5L EcoBoost (BM), Removal and Installation).

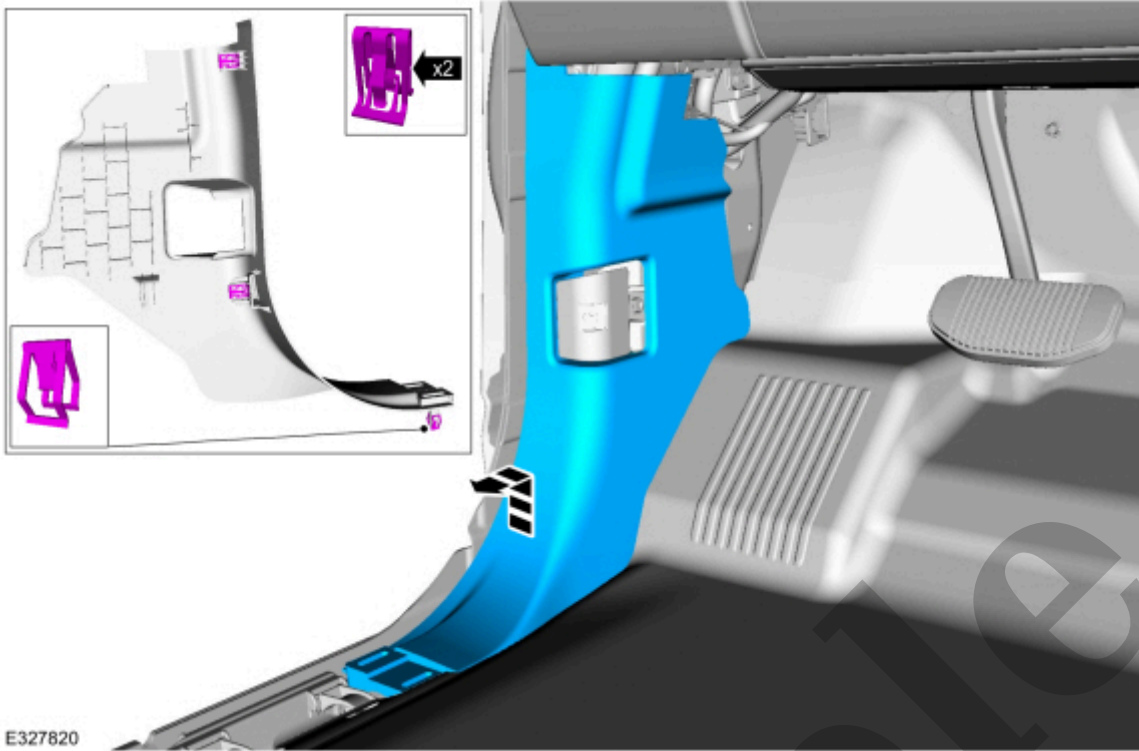
Refer to: [Air Cleaner](#)(303-12B Intake Air Distribution and Filtering - 3.3L Duratec-V6, Removal and Installation).

Refer to: [Air Cleaner](#)(303-12A Intake Air Distribution and Filtering - 2.7L EcoBoost (238kW/324PS), Removal and Installation).

8. Install the hood latch.

Refer to: [Hood Latch](#)(501-14 Handles, Locks, Latches and Entry Systems, Removal and Installation).

Copyright © Ford Motor Company



[Click here to learn about symbols, color coding, and icons used in this manual.](#)

3. Remove the hood latch release handle.

1. Remove the bolt from the hood latch release handle.

Torque : 80 lb.in (9 Nm)

2. Remove the hood latch release cable from the hood latch release handle retaining bracket.

3. Remove the hood latch release cable end from the hood latch release handle.



Hood Latch Release Handle

501-14 Handles, Locks, Latches and Entry Systems	2022 F-150
Removal and Installation	Procedure revision date: 10/2/2020

Hood Latch Release Handle

Removal

NOTE

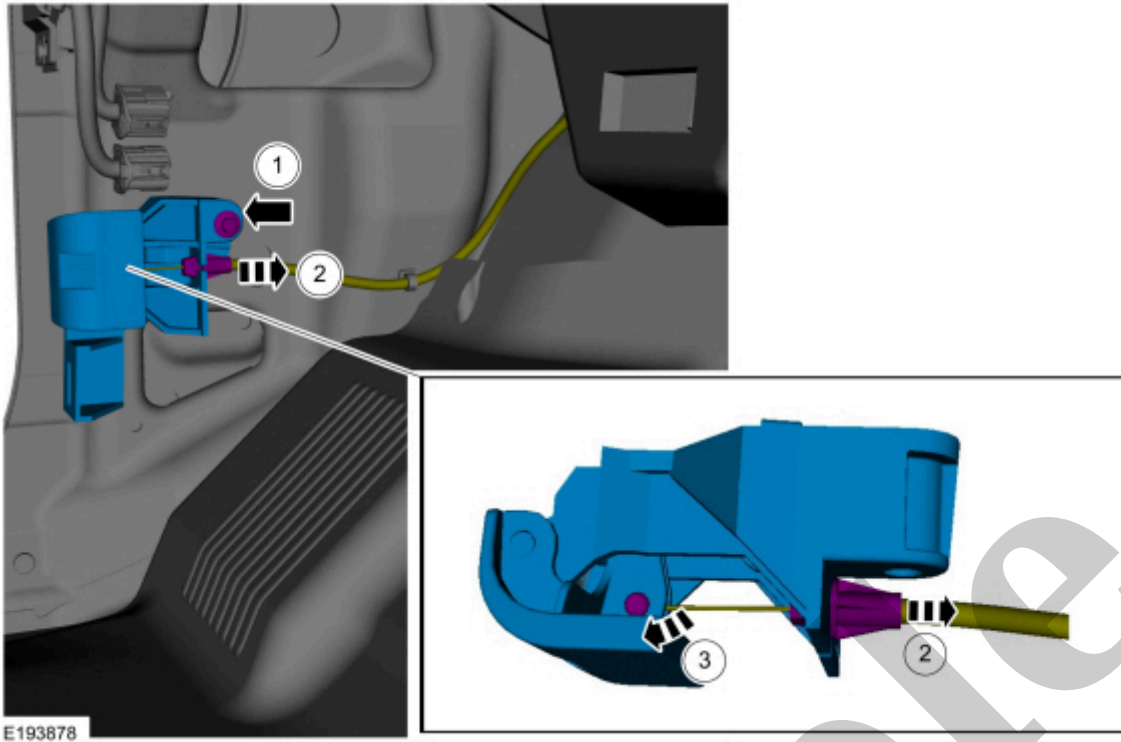
Removal steps in this procedure may contain installation details.

1. Remove the scuff plate.

Refer to: [Front Scuff Plate Trim Panel - SuperCab](#)(501-05 Interior Trim and Ornamentation, Removal and Installation).

Refer to: [Front Scuff Plate Trim Panel - Regular Cab/SuperCrew](#)(501-05 Interior Trim and Ornamentation, Removal and Installation).

2. Release the clips and remove the LH (left-hand) lower cowl trim panel.

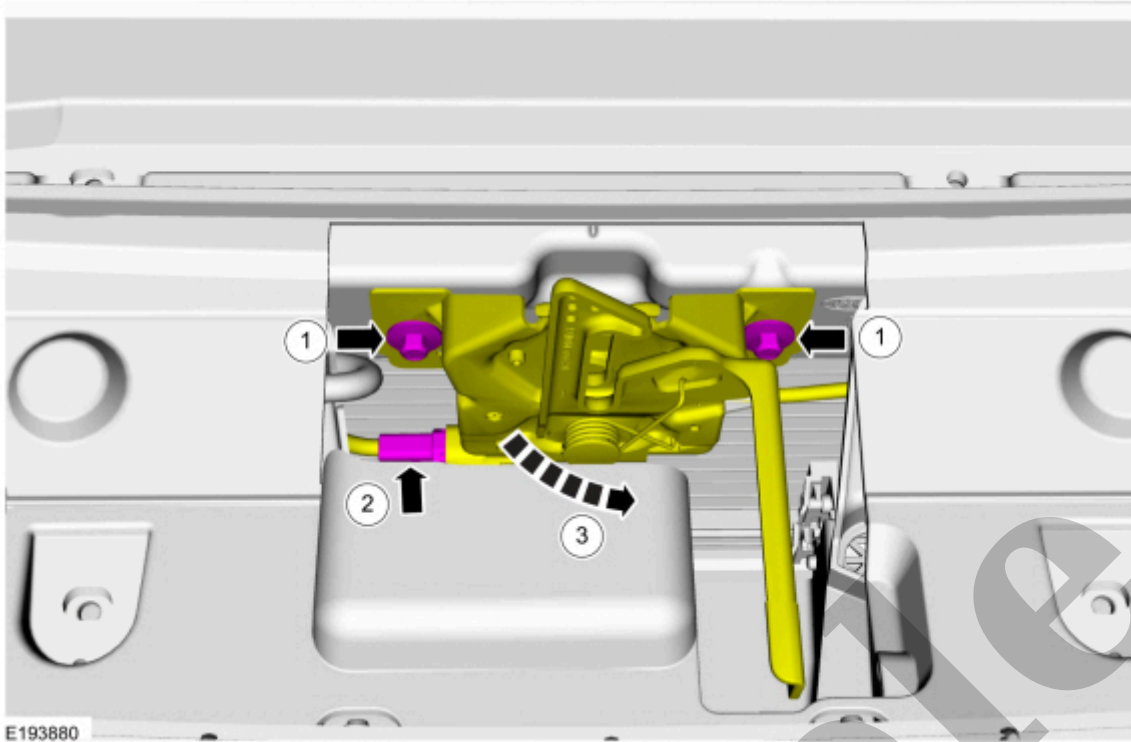


[Click here to learn about symbols, color coding, and icons used in this manual.](#)

Installation

1. To install, reverse the removal procedure.

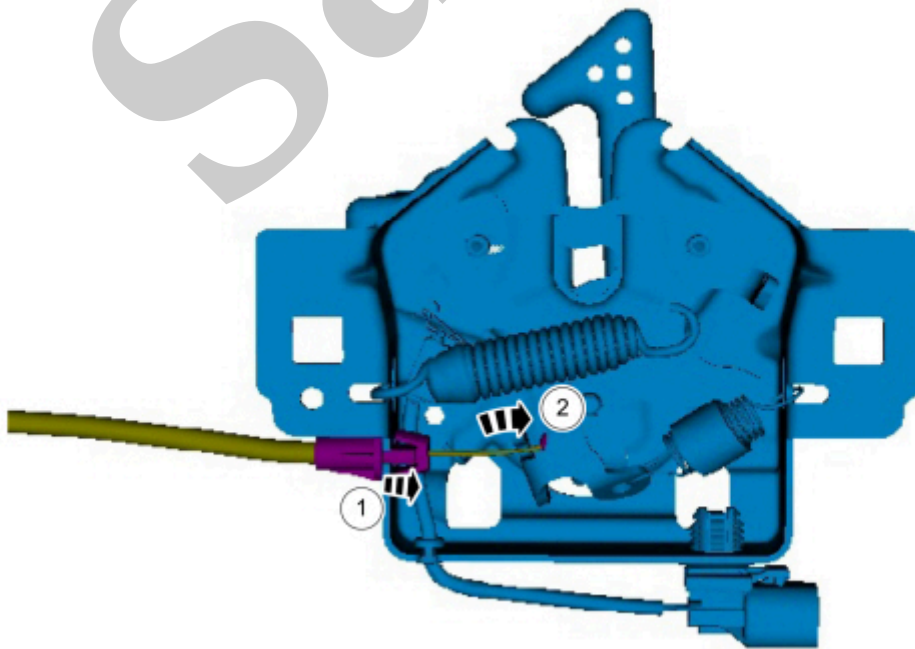
Copyright © Ford Motor Company



E193880

[Click here to learn about symbols, color coding, and icons used in this manual.](#)

2. Remove the hood latch.
 1. Detach the cable from the mounting bracket.
 2. Disconnect the hood latch release cable end.



E193881