

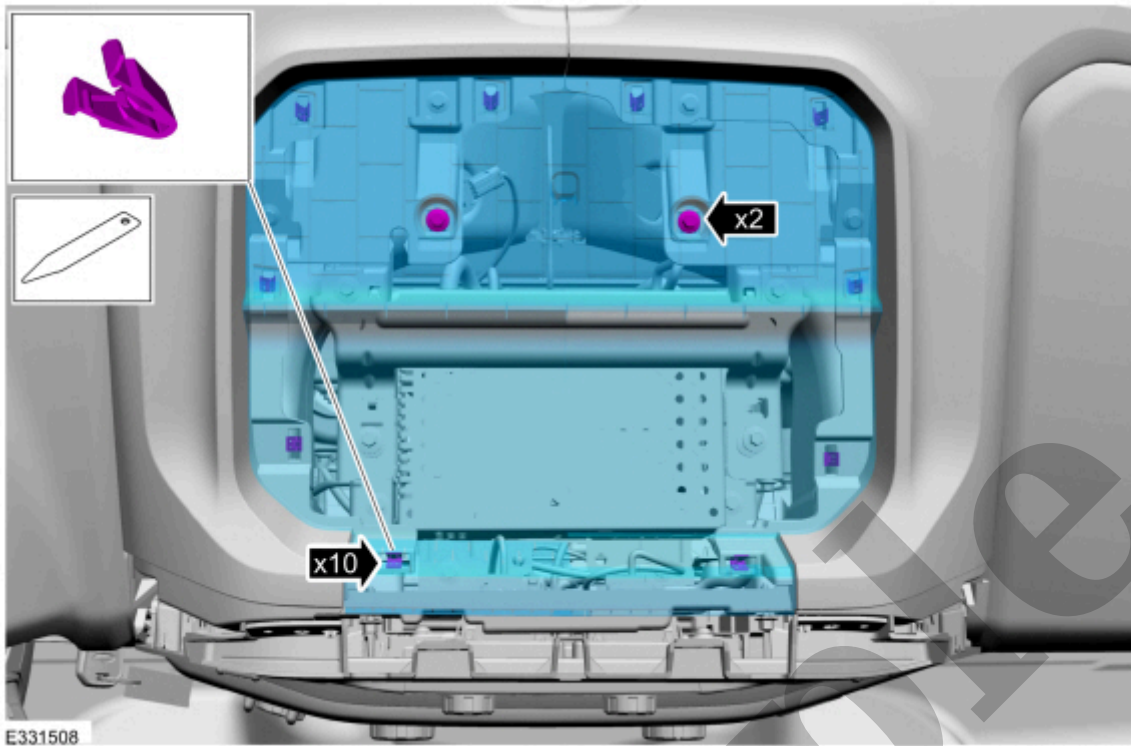
Your Ultimate Source for OEM Repair Manuals

FactoryManuals.net is a great resource for anyone who wants to save money on repairs by doing their own work. The manuals provide detailed instructions and diagrams that make it easy to understand how to fix a vehicle.

2017 FORD Fiesta 5 doors OEM Service and Repair Workshop Manual

[Go to manual page](#)

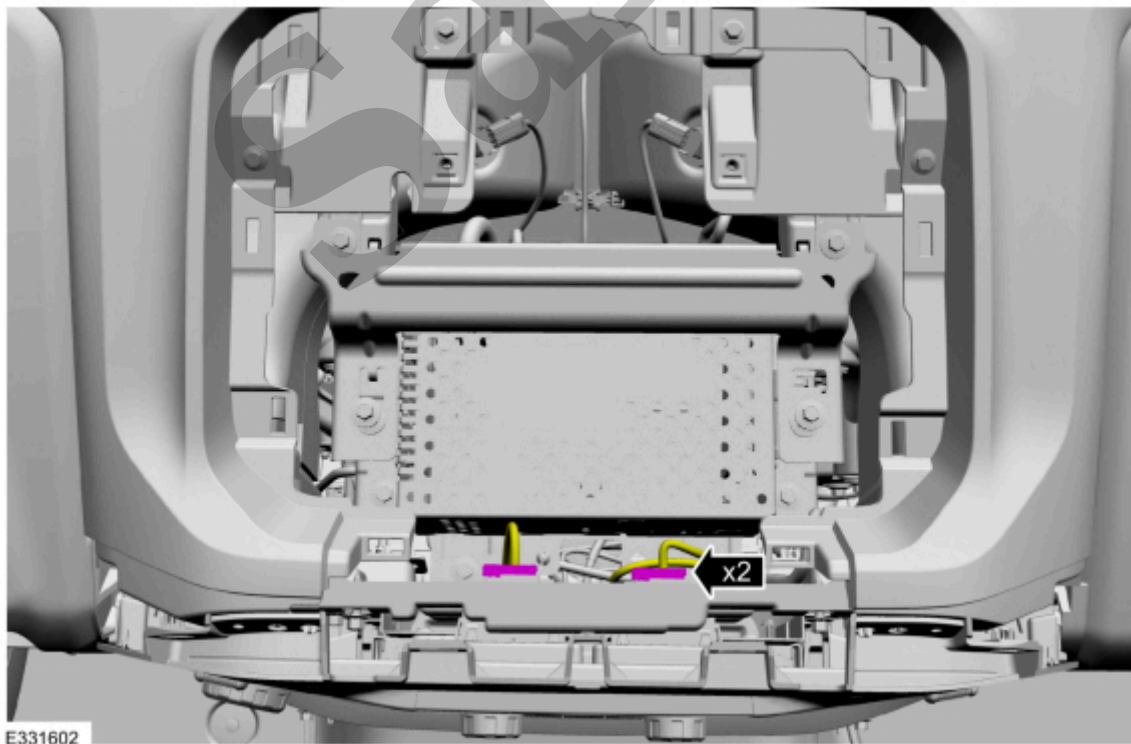
20. Remove the screws, release the clips and remove the upper instrument panel tray.

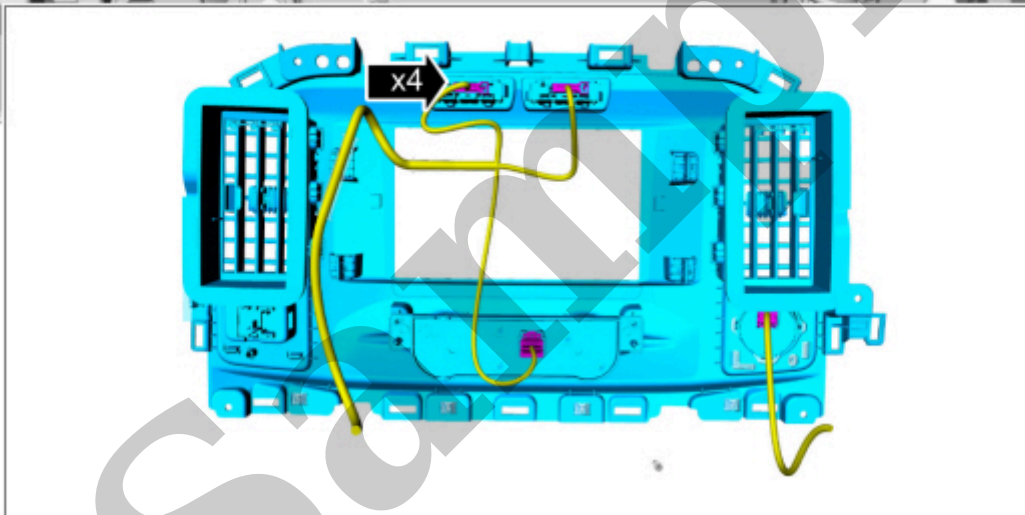
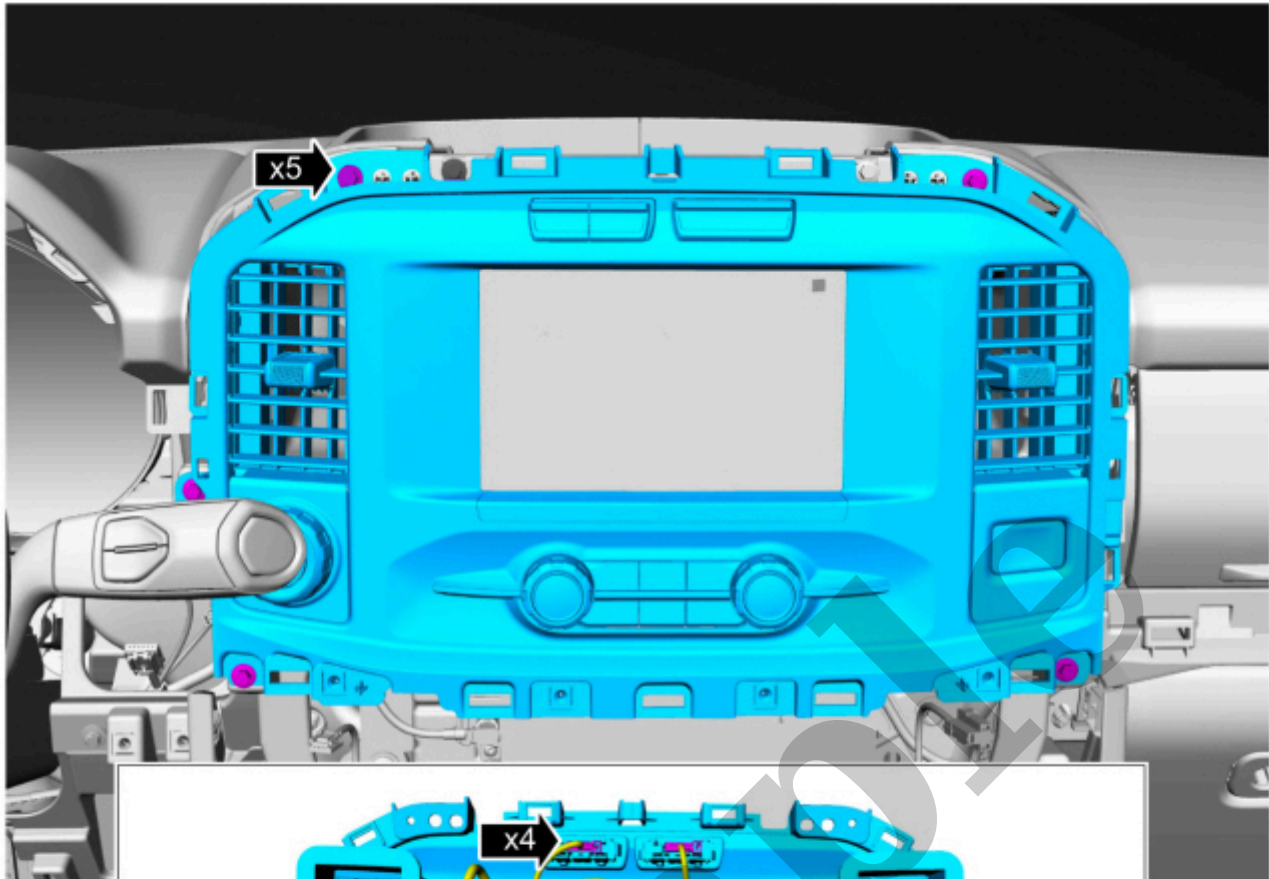


[Click here to learn about symbols, color coding, and icons used in this manual.](#)

Vehicles equipped with a 10 inch display

21. Disconnect the electrical connectors.





E331645

[Click here to learn about symbols, color coding, and icons used in this manual.](#)

24. **NOTE**

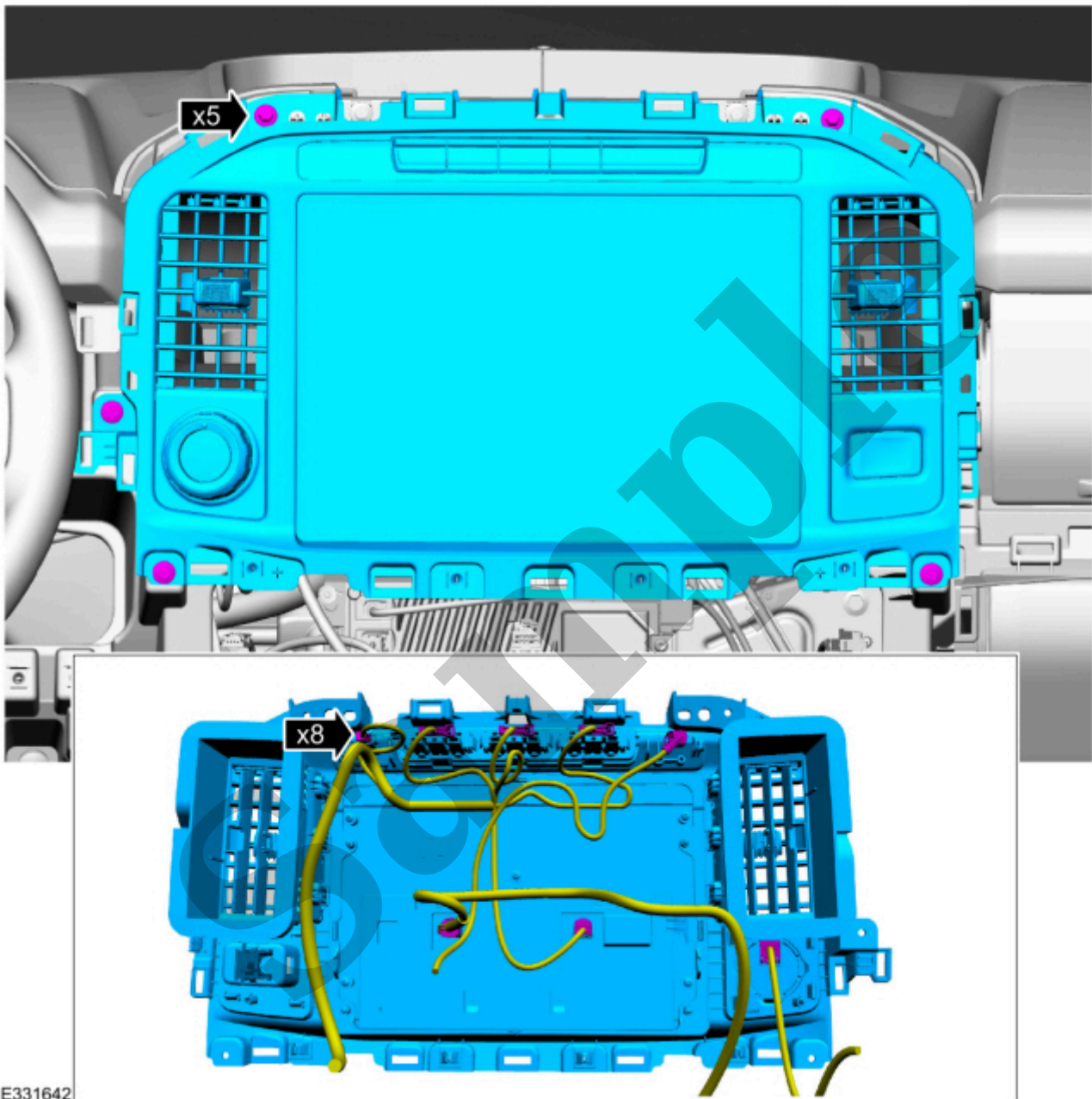
12 inch screen shown, 10 inch screen is similar.

Release the tabs and remove the hazard flasher switch.

[Click here to learn about symbols, color coding, and icons used in this manual.](#)

26. Remove the bolts, disconnect the electrical connectors and remove the FDIM (front display interface module) and centerstack trim panel as an assembly.

Torque : 55 lb.in (6.2 Nm)



[Click here to learn about symbols, color coding, and icons used in this manual.](#)

27. Release the tabs and remove the hazard flasher switch.

Headlamp Assembly - Electric

417-01 Exterior Lighting	2022 F-150
Removal and Installation	Procedure revision date: 10/25/2022

Headlamp Assembly - Electric

Removal

NOTE

Removal steps in this procedure may contain installation details.

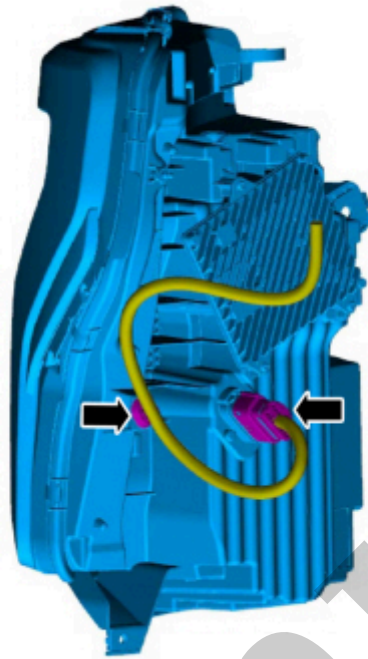
NOTE

LH (left-hand) side shown, RH (right-hand) side similar.

1. If headlamp assembly is being replaced, using a diagnostic scan tool, begin the PMI (programmable module installation) process for the LDCM (Lighting Driver Control Module) following the on-screen instructions.
2. Remove the front bumper.
Refer to: [Front Bumper - Electric](#)(501-19 Bumpers, Removal and Installation).
3. Remove the underhood storage compartment.
Refer to: [Underhood Storage Compartment - Electric](#)(501-02 Front End Body Panels, Removal and Installation).
4. Detach the clips and remove the close out panel.

[Click here to learn about symbols, color coding, and icons used in this manual.](#)

6. Disconnect the headlamp assembly electrical connector and wiring harness retainer. Remove the headlamp assembly.



E374587

[Click here to learn about symbols, color coding, and icons used in this manual.](#)

Installation

1. NOTE

During installation, check to see if the headlamp assembly is flush and aligned to the front fender.

To install, reverse the removal procedure.

2. NOTE

Carry out this step only when a LCDM (lighting driver control module) is being replaced.

If headlamp assembly is being replaced, Using a diagnostic scan tool, finish the PMI (programmable module installation) process for the LCDM (Lighting Driver Control Module) following the on-screen instructions.

3. If headlamp assembly is being replaced, adjust the headlamps.

Headlamp Assembly

417-01 Exterior Lighting	2022 F-150
Removal and Installation	Procedure revision date: 06/20/2022

Headlamp Assembly

Removal

NOTE

Removal steps in this procedure may contain installation details.

NOTE

If the headlamp assembly is being replaced, the light emitting diode (LED) control module needs to be transferred to the new headlamp assembly.

All vehicles

1. Remove the radiator grille.

Refer to: [Radiator Grille](#)(501-08 Exterior Trim and Ornamentation, Removal and Installation).

2. Remove the upper headlamp bolts and the push pin.

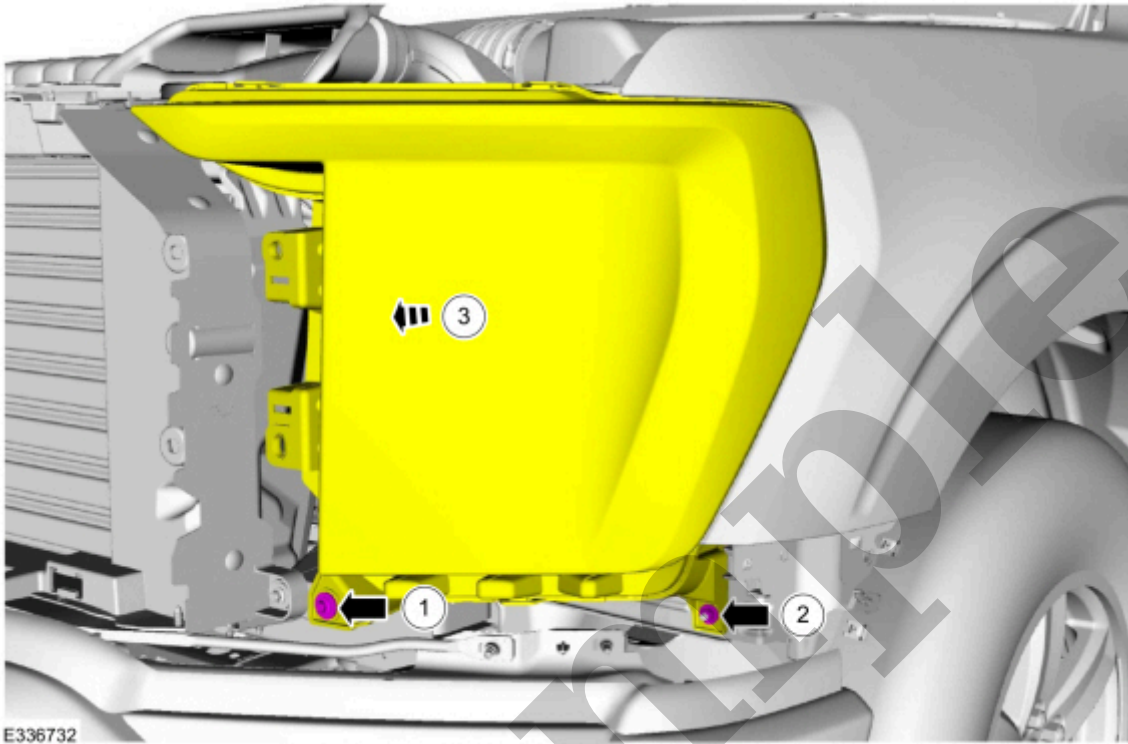
Torque : 36 lb.in (4.1 Nm)

1. Remove the lower headlamp bolt.

Torque : 155 lb.in (17.5 Nm)

2. Remove the lower headlamp nut.

3. Pulling forward, position out the headlamp assembly.



[Click here to learn about symbols, color coding, and icons used in this manual.](#)

Vehicles with halogen headlamps

5. Disconnect the headlamp electrical connectors and remove the headlamp assembly.

Installation

1. To install, reverse the removal procedure.

2. **NOTE**

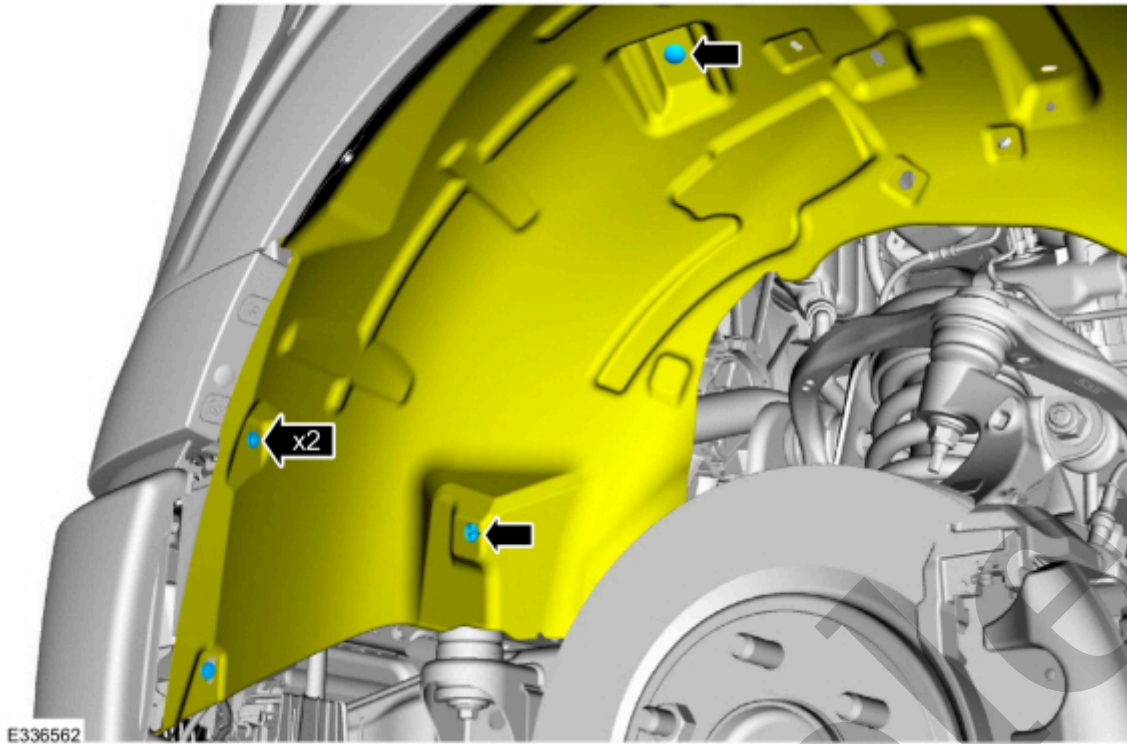
If a new headlamp assembly is installed, carry out this step when a light emitting diode (LED) control module has been transferred.

Using a diagnostic scan tool, execute the BCM (body control module) LIN (local interconnect network) new module initialization procedure. Follow the diagnostic scan tool directions.

3. Adjust the headlamps.

Refer to: [Headlamp Adjustment](#)(417-01 Exterior Lighting, General Procedures).

Copyright © Ford Motor Company



[Click here to learn about symbols, color coding, and icons used in this manual.](#)

3. **WARNING**

The bulb contains gas under pressure. The bulb may shatter if the glass envelope is scratched or if the bulb is dropped. Handle the bulb only by its base. Avoid touching the glass envelope. Failure to follow these instructions may result in personal injury.

NOTE

The headlamp bulb should not be removed from the headlamp assembly until just before a new bulb is installed. Removing the bulb for an extended period of time may affect headlamp bulb performance. Contaminants may enter the headlamp assembly where they can settle on the lens and reflector. Never turn on the headlamps with the bulb removed from the headlamp assembly.

NOTE

Make sure the headlamp switch and ignition switch are in the OFF position.

NOTE