

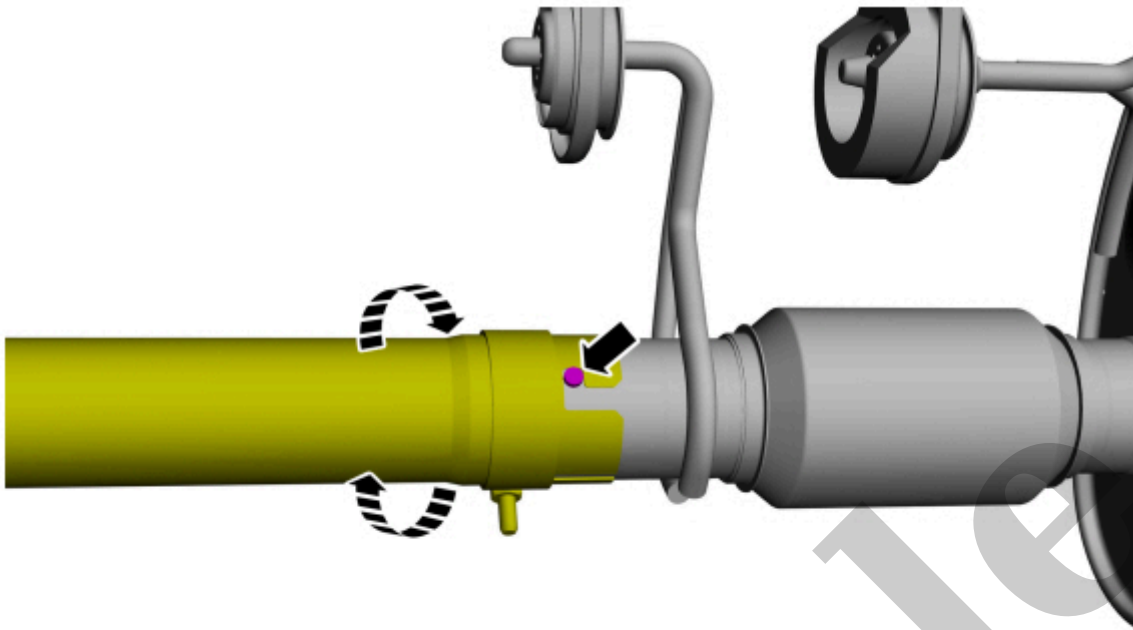
Your Ultimate Source for OEM Repair Manuals

FactoryManuals.net is a great resource for anyone who wants to save money on repairs by doing their own work. The manuals provide detailed instructions and diagrams that make it easy to understand how to fix a vehicle.

2017 Ford Edge Service and Repair Manual

[Go to manual page](#)

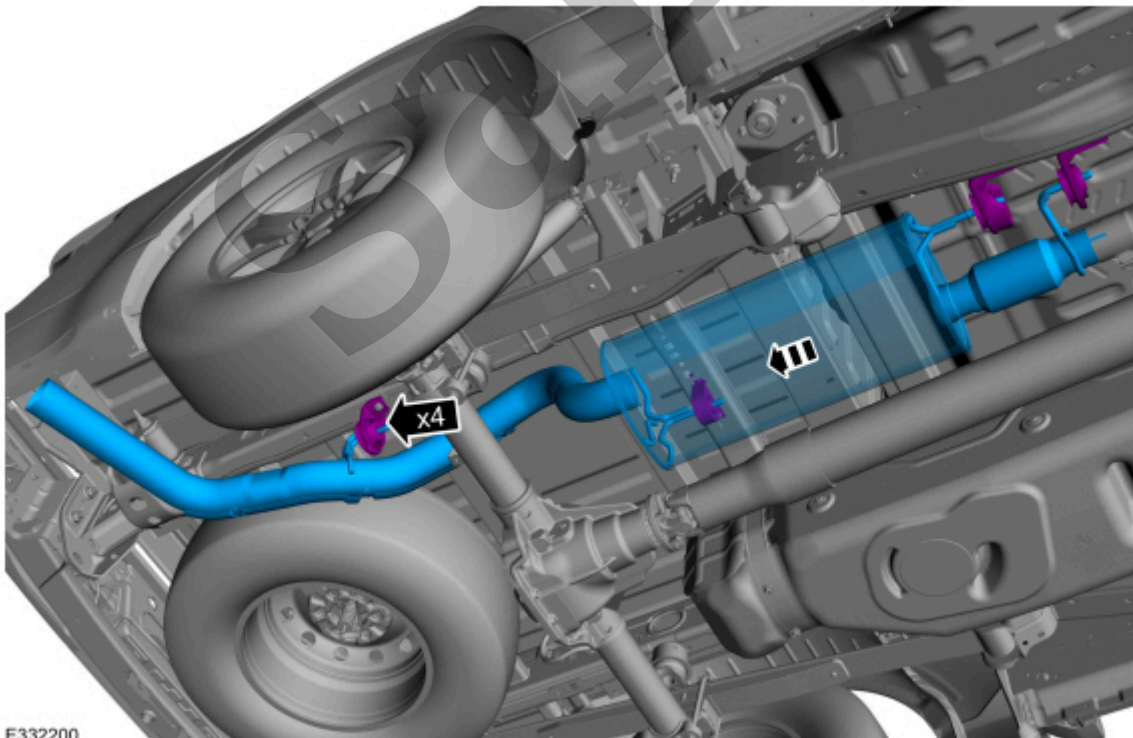
4. Rotate the muffler inlet pipe to allow the muffler and tailpipe assembly to be released.



E332247

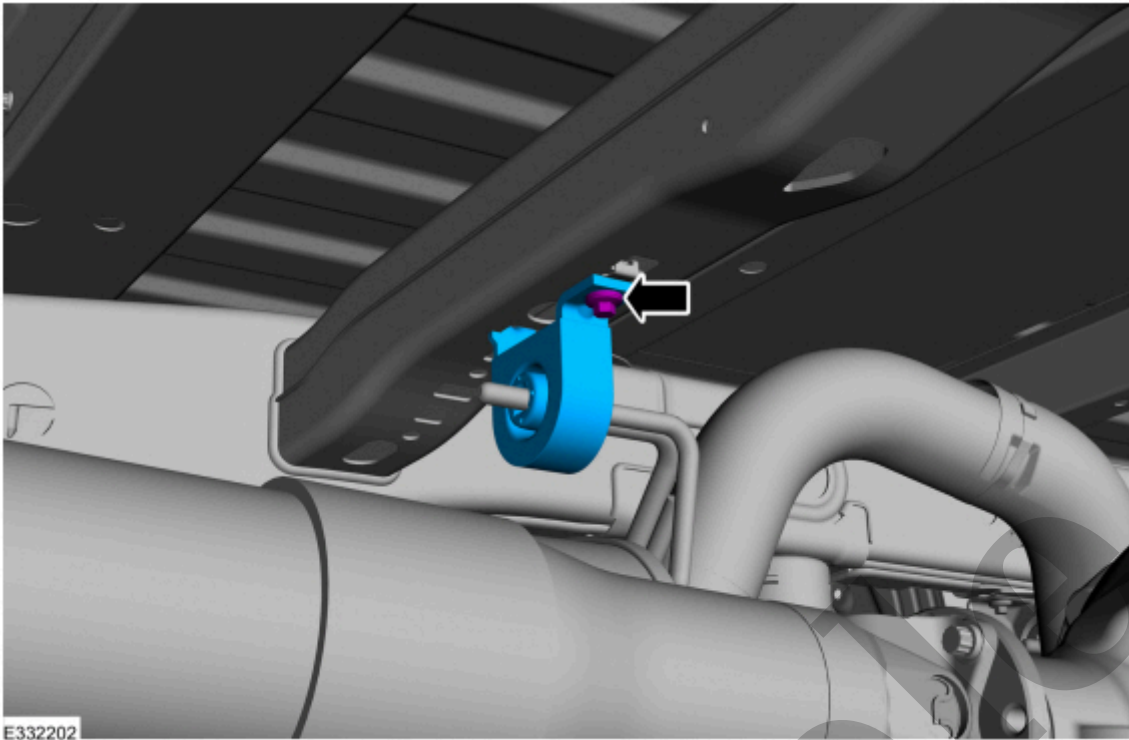
[Click here to learn about symbols, color coding, and icons used in this manual.](#)

5. Slide the muffler and tailpipe rearward out of the isolators and remove the muffler and tailpipe.



E332200

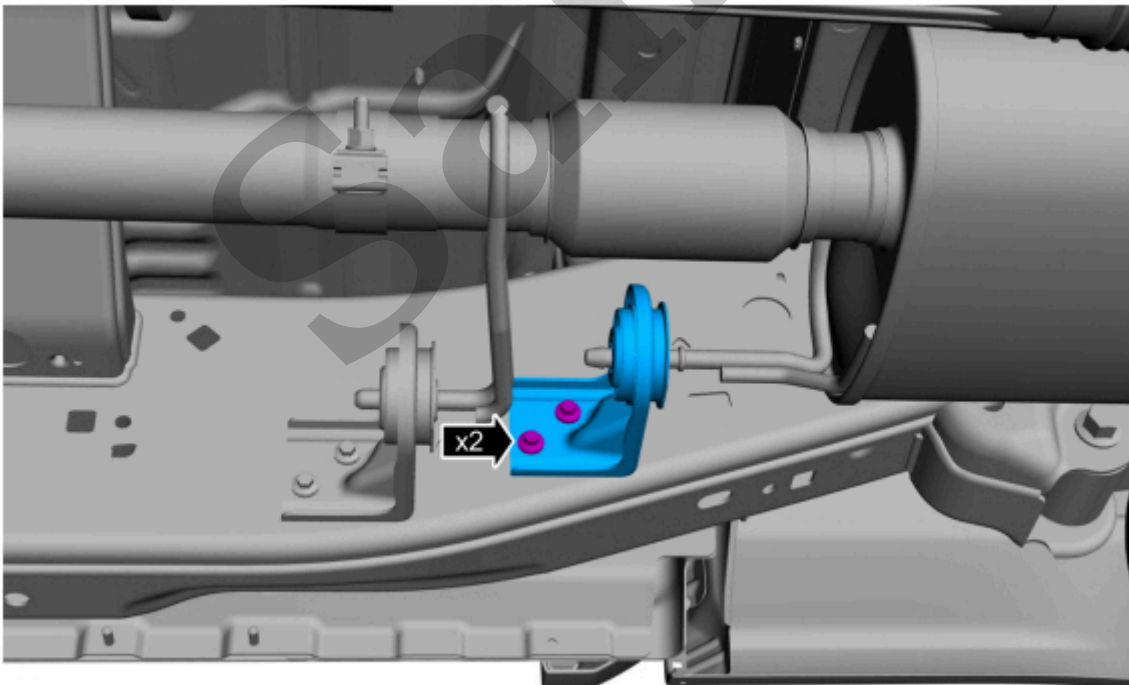
[Click here to learn about symbols, color coding, and icons used in this manual.](#)



[Click here to learn about symbols, color coding, and icons used in this manual.](#)

8. Remove the bolts and the isolator.

Torque : 22 lb.ft (30 Nm)



E333360

[Click here to learn about symbols, color coding, and icons used in this manual.](#)

Muffler Inlet Pipe - Raptor

309-00C Exhaust System - 3.5L EcoBoost (BM)	2022 F-150
Removal and Installation	Procedure revision date: 06/24/2021

Muffler Inlet Pipe - Raptor

Removal

NOTE

Removal steps in this procedure may contain installation details.

1. With the vehicle in NEUTRAL, position it on a hoist.

Refer to: [Jacking and Lifting - Overview](#)(100-02 Jacking and Lifting, Description and Operation).

2. 1. Loosen the clamp.

Torque : 41 lb.ft (55 Nm)

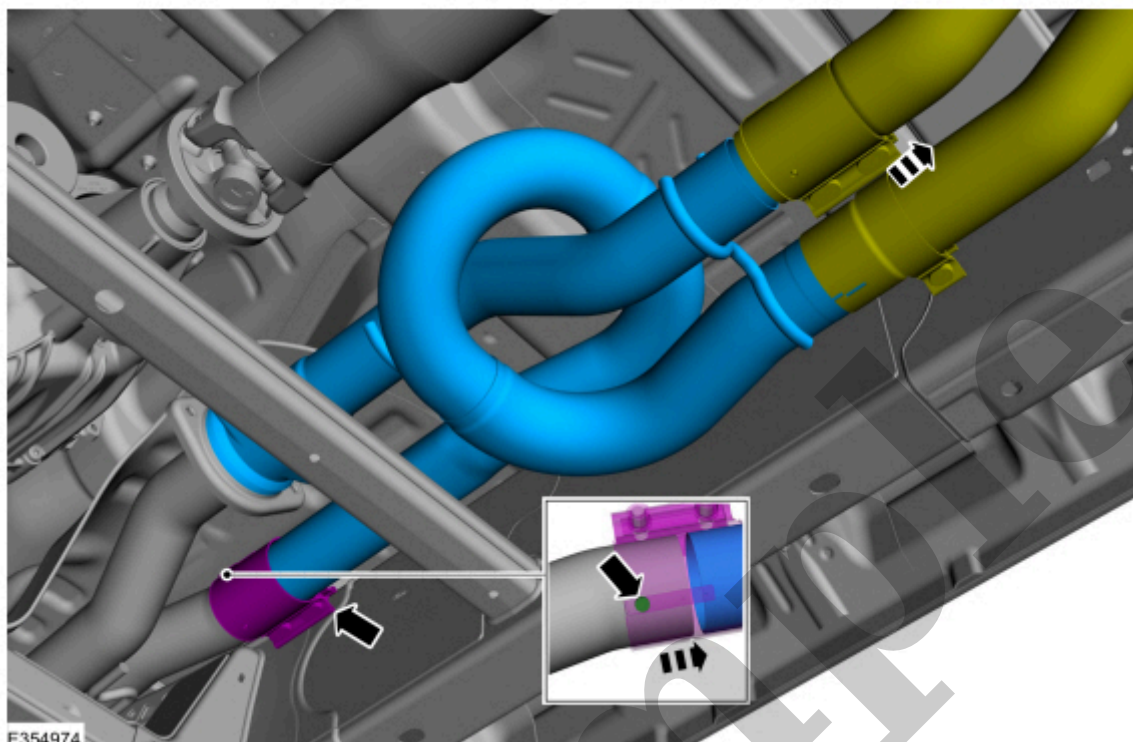
2. Loosen the clamp and release the clamp from the tab.

Torque : 41 lb.ft (55 Nm)

4. • Loosen the clamp and release the clamp from the tab.

Torque : 41 lb.ft (55 Nm)

- Release the muffler inlet pipe from the muffler and remove the muffler inlet pipe.

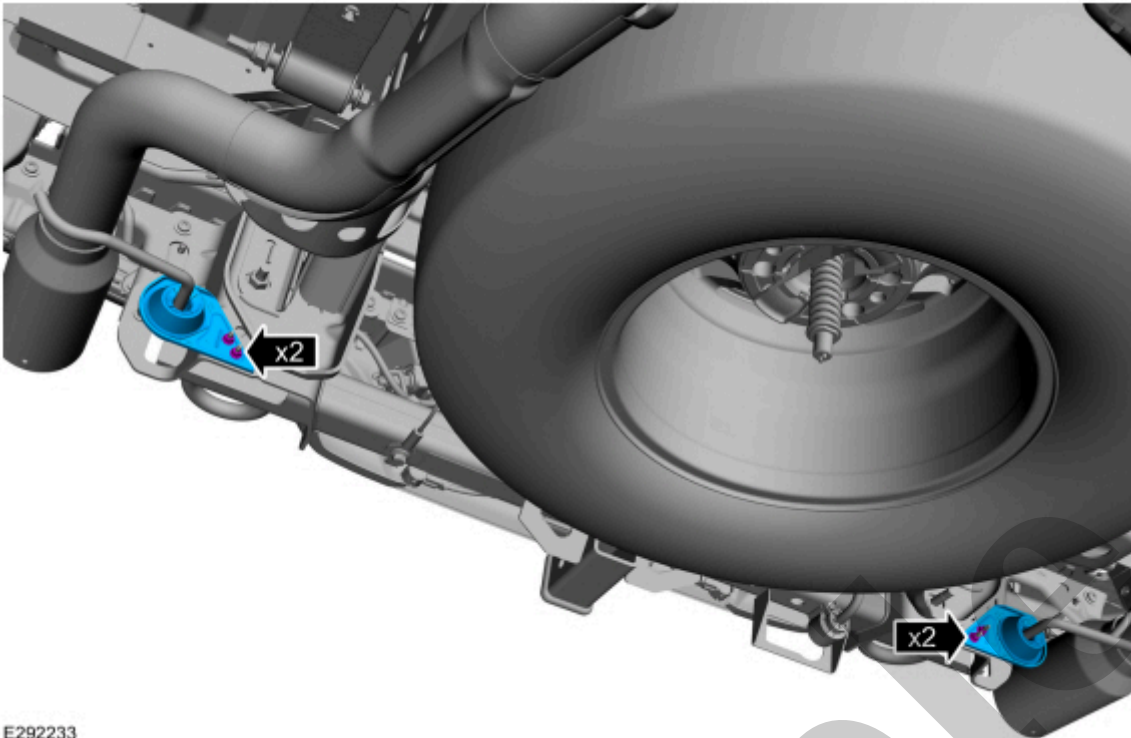


[Click here to learn about symbols, color coding, and icons used in this manual.](#)

Installation

1. To install, reverse the removal procedure.
2. Clean all exhaust connections before reassembly.
3. Check the exhaust system for leaks.

Copyright © Ford Motor Company

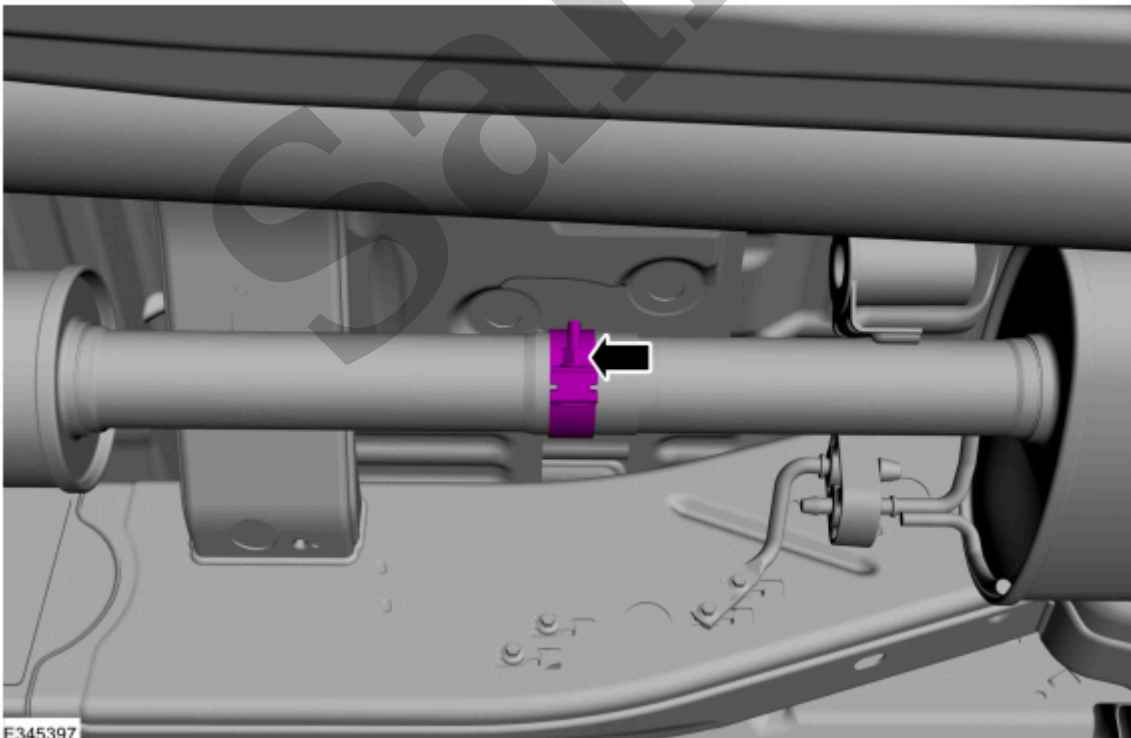


E292233

[Click here to learn about symbols, color coding, and icons used in this manual.](#)

3. Loosen the clamp.

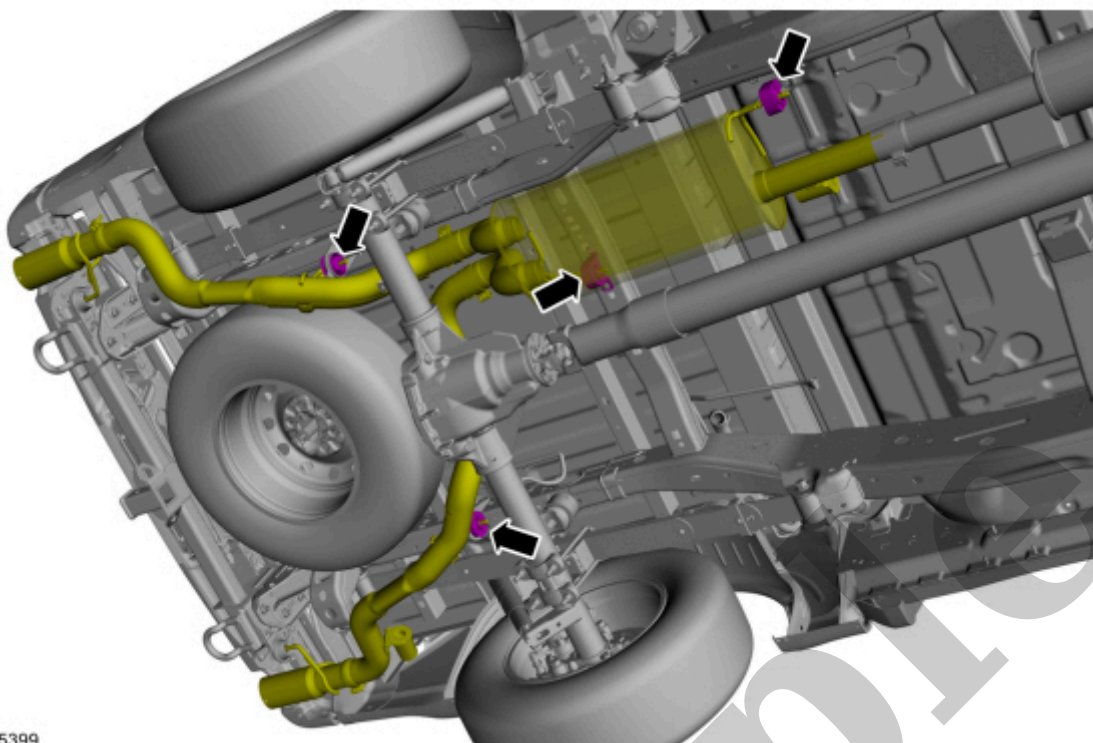
Torque : 41 lb.ft (55 Nm)



E345397

[Click here to learn about symbols, color coding, and icons used in this manual.](#)

6. Slide the muffler and tailpipe rearward out of the insulators.

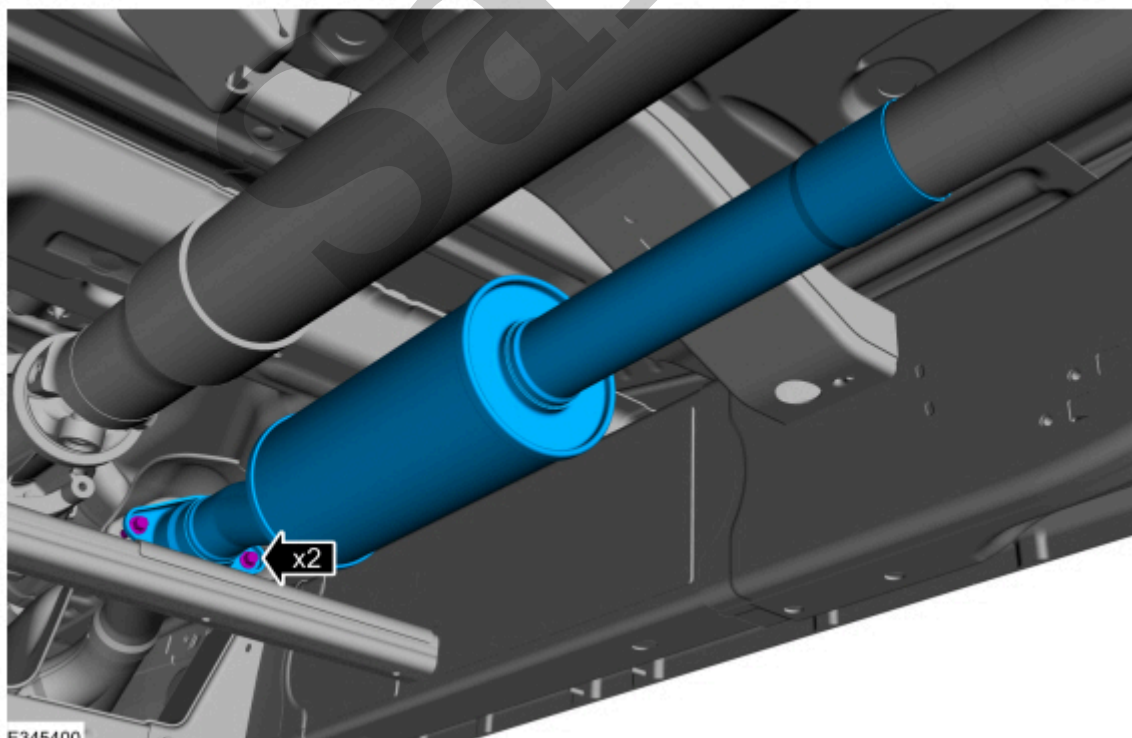


E345399

[Click here to learn about symbols, color coding, and icons used in this manual.](#)

7. Remove the bolts and the muffler inlet pipe.

Torque : 30 lb.ft (40 Nm)



E345400

Muffler Inlet Pipe

309-00C Exhaust System - 3.5L EcoBoost (BM)	2022 F-150
Removal and Installation	Procedure revision date: 07/22/2020

Muffler Inlet Pipe

Removal

NOTE

Muffler inlet pipes will vary in configuration with different wheelbases and powertrains. Typical application shown.

NOTE

Removal steps in this procedure may contain installation details.

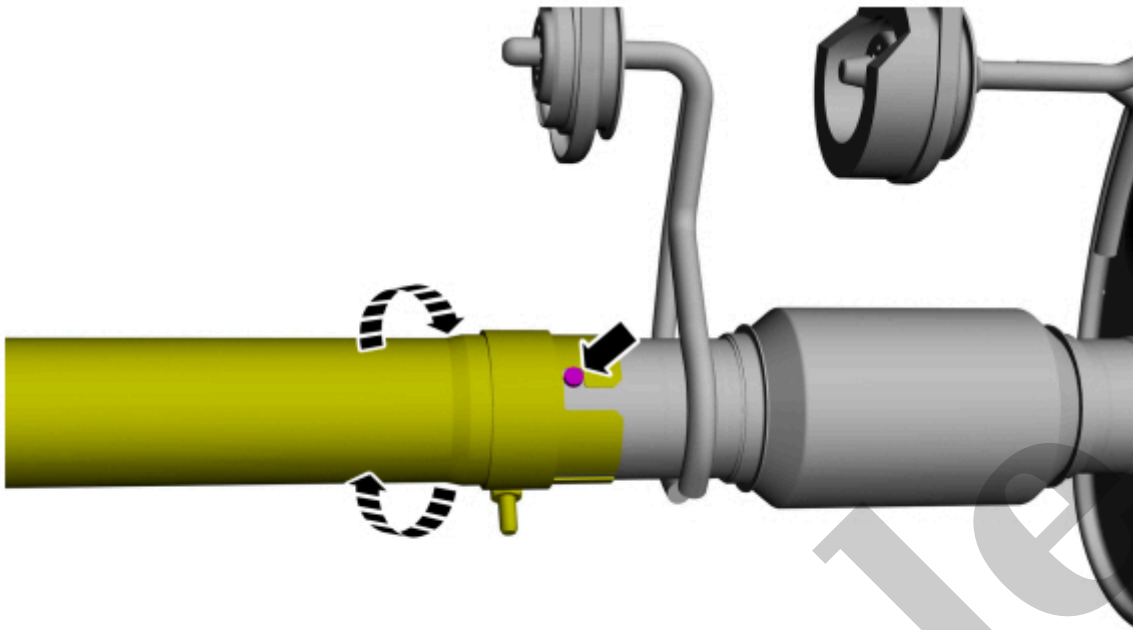
1. With the vehicle in NEUTRAL, position it on a hoist.

Refer to: [Jacking and Lifting - Overview](#)(100-02 Jacking and Lifting, Description and Operation).

2. Loosen the clamp.

Torque : 41 lb.ft (55 Nm)

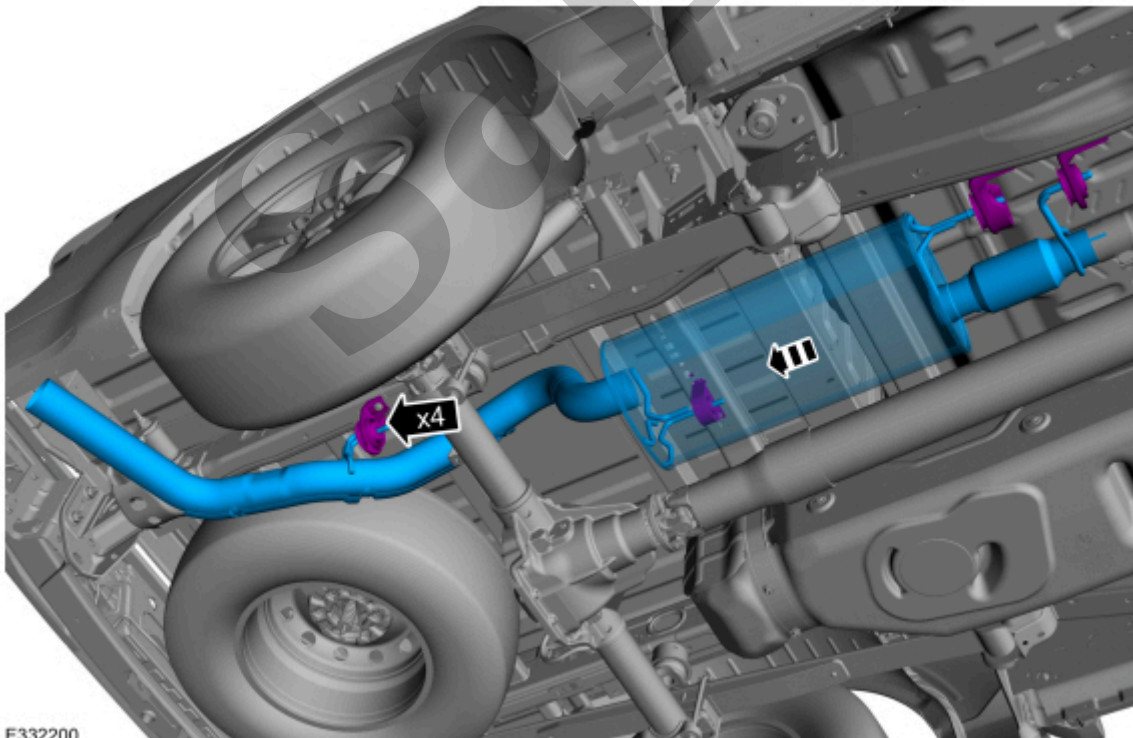
4. Rotate the muffler inlet pipe to allow the muffler and tailpipe assembly to be released.



E332247

[Click here to learn about symbols, color coding, and icons used in this manual.](#)

5. Slide the muffler and tailpipe rearward out of the insulators and remove the muffler and tailpipe.



E332200

[Click here to learn about symbols, color coding, and icons used in this manual.](#)

Tailpipe - Tremor

309-00C Exhaust System - 3.5L EcoBoost (BM)	2022 F-150
Removal and Installation	Procedure revision date: 06/24/2021

Tailpipe - Tremor

Removal

NOTE

Muffler inlet pipes will vary in configuration with different wheelbases and powertrains. Typical application shown.

NOTE

Removal steps in this procedure may contain installation details.

1. With the vehicle in NEUTRAL, position it on a hoist.

Refer to: [Jacking and Lifting - Overview](#)(100-02 Jacking and Lifting, Description and Operation).

2. Remove the tailpipe hanger brackets.

Torque : 106 lb.in (12 Nm)