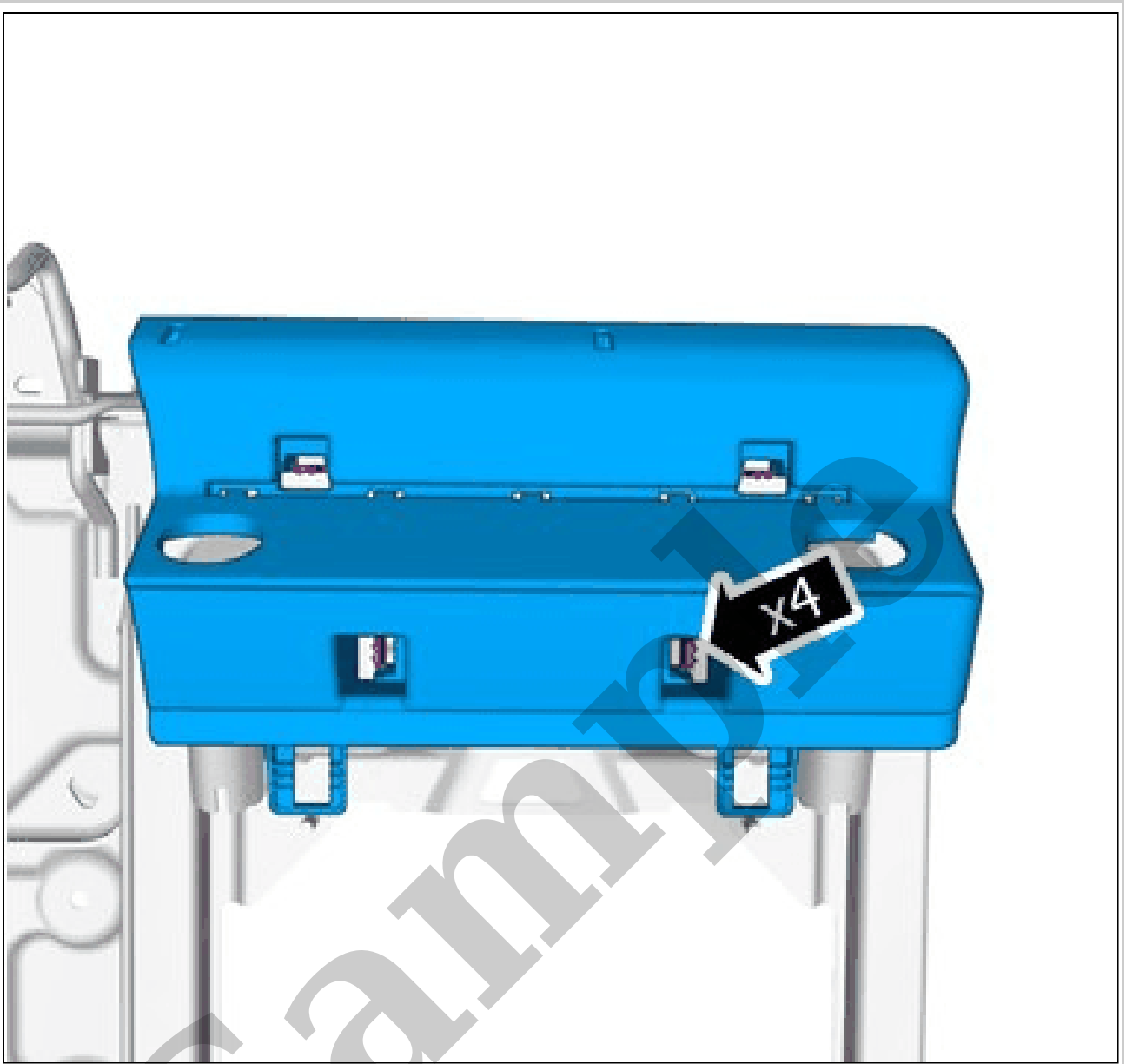


# Your Ultimate Source for OEM Repair Manuals

FactoryManuals.net is a great resource for anyone who wants to save money on repairs by doing their own work. The manuals provide detailed instructions and diagrams that make it easy to understand how to fix a vehicle.

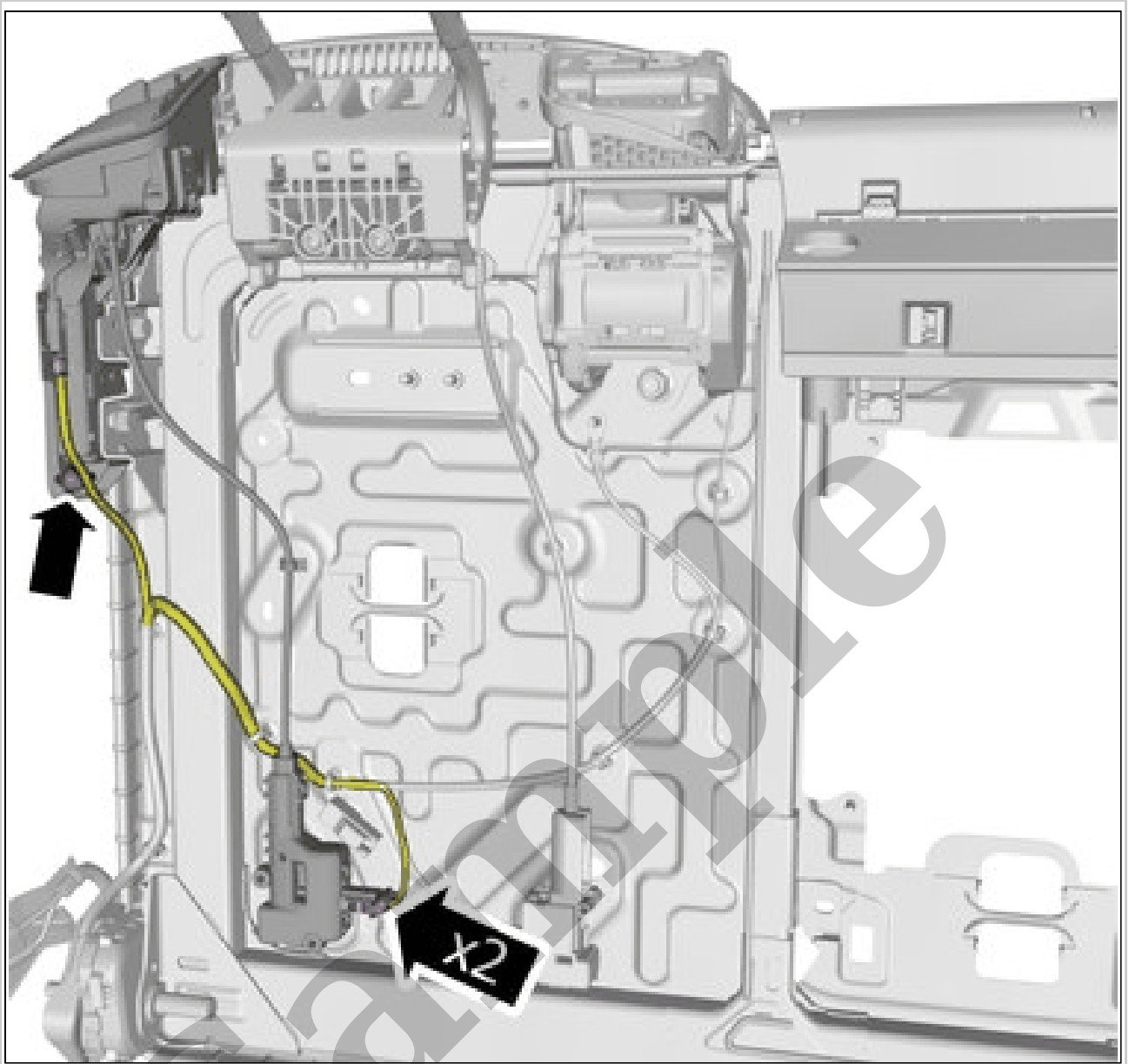
## 2016 Volvo XC90 Repair Manual & Workshop Service Guide

[Go to manual page](#)



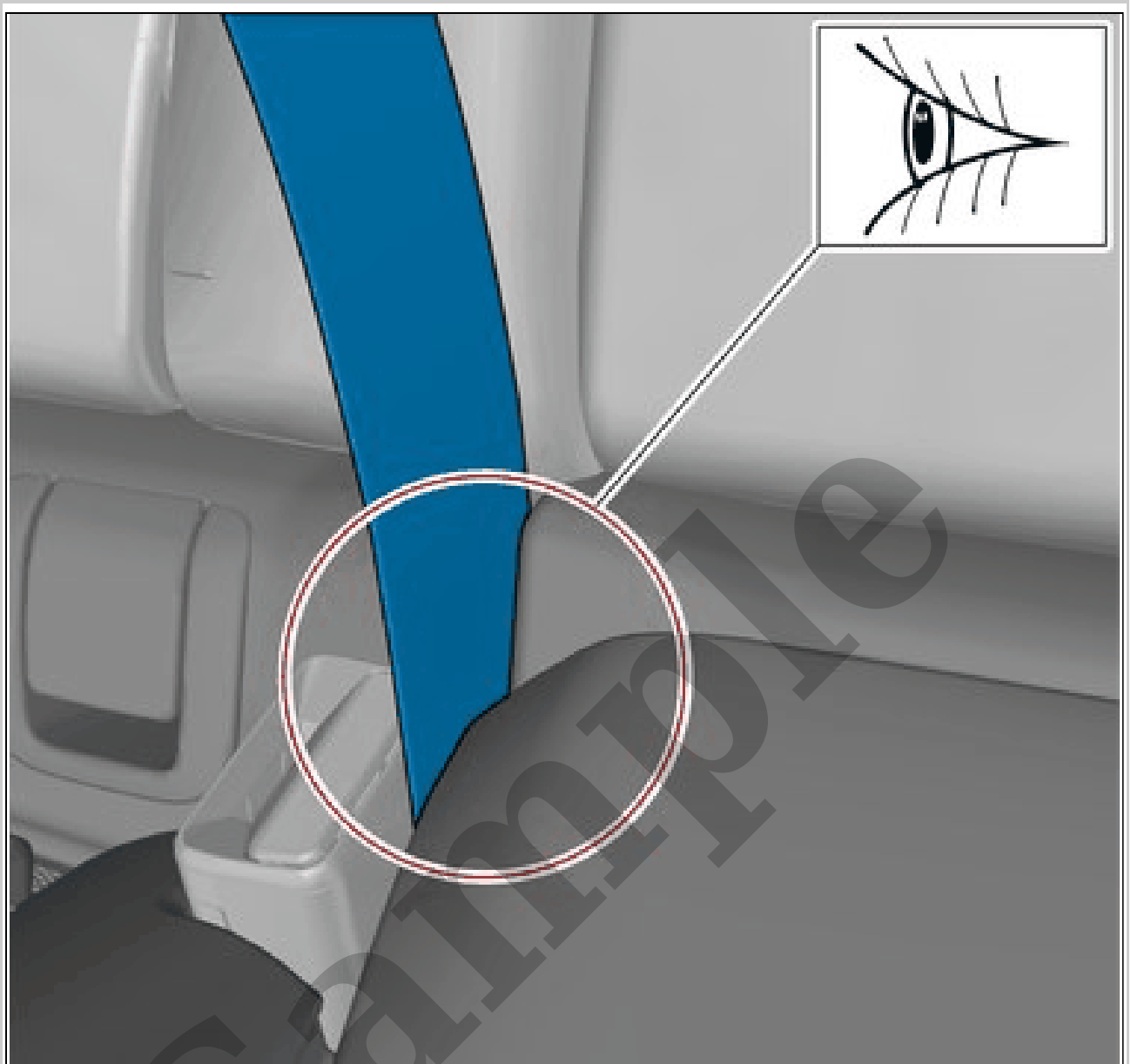
Courtesy of VOLVO CARS CORPORATION

Release the locks.  
Remove the marked part.



Courtesy of VOLVO CARS CORPORATION

Disconnect the connectors.



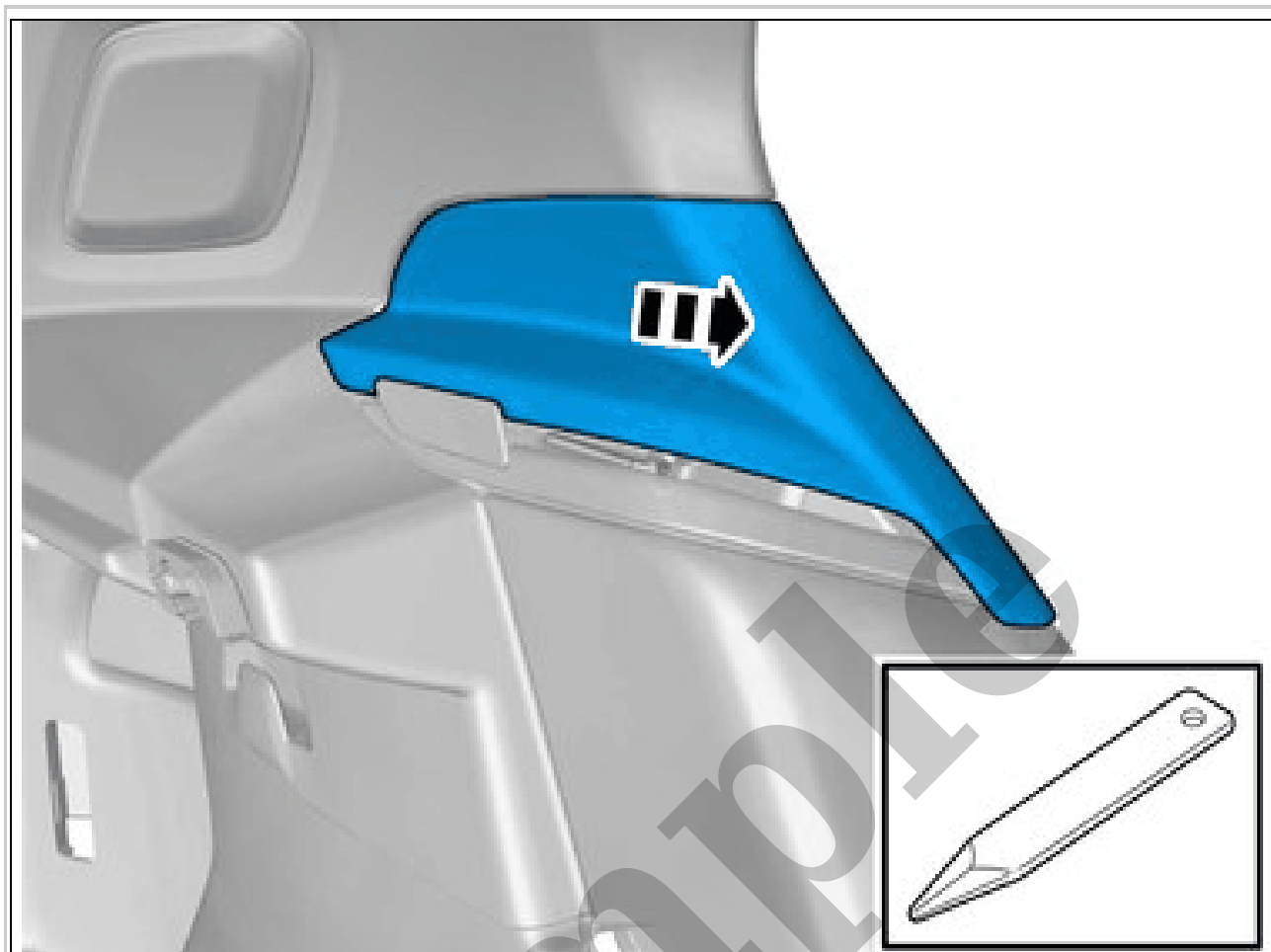
Courtesy of VOLVO CARS CORPORATION

**WARNING:** *Make sure to place the seat belt as the graphic shows.*

To install, reverse the removal procedure.

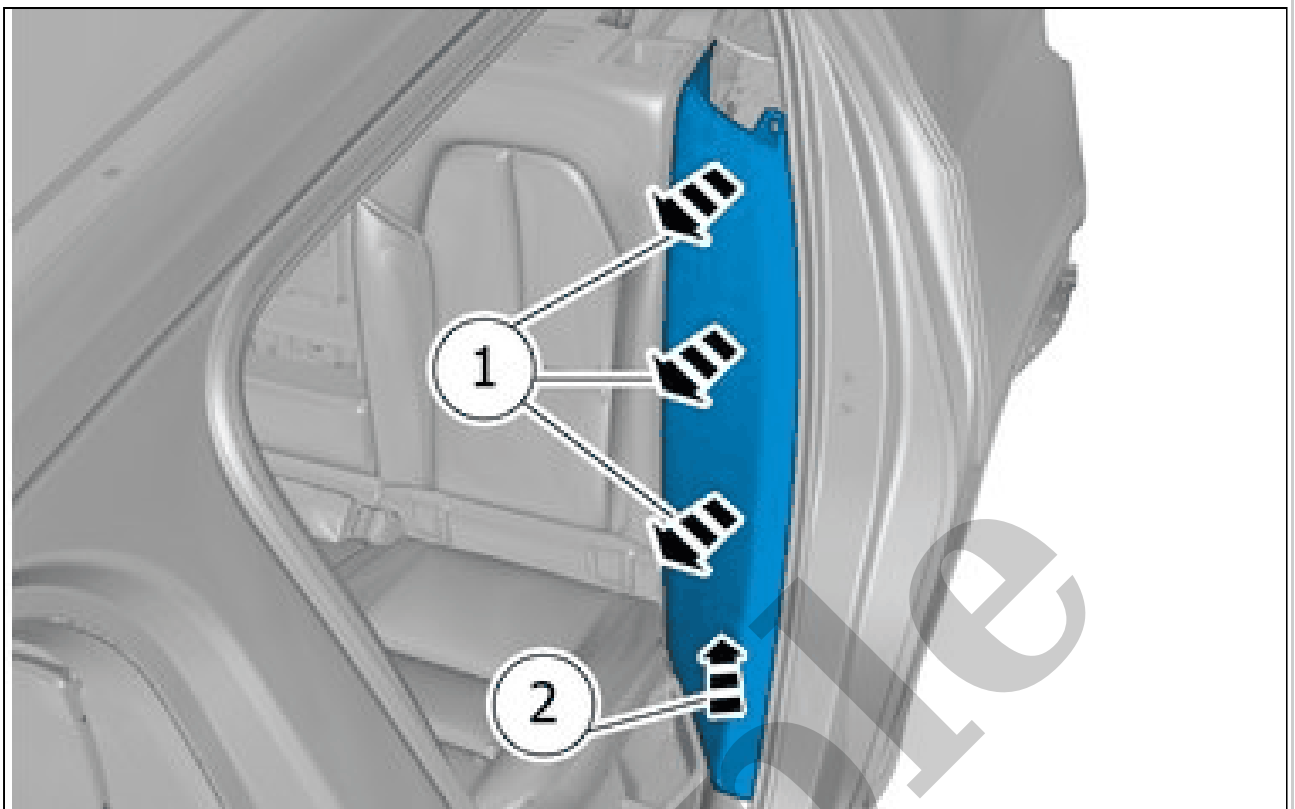
## **SEAT HEATING MODULE SHM > SEAT HEATING MODULE SHM [2018-2022] > REMOVAL**

Remove the seat cushion, rear seat. Refer to: SEAT CUSHION, REAR SEAT  
Remove the side pad. Refer to: SIDE PAD



Courtesy of VOLVO CARS CORPORATION

Remove the marked part.



Courtesy of VOLVO CARS CORPORATION

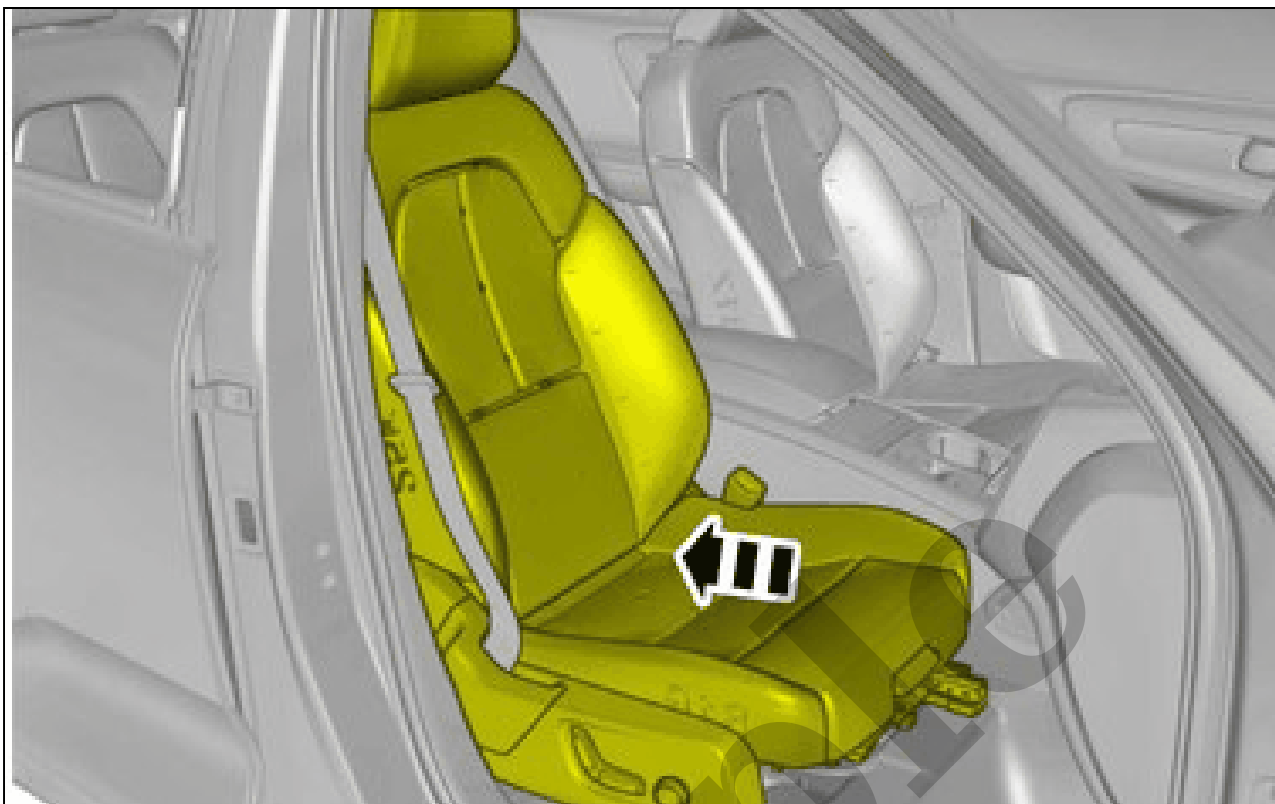
Remove the marked part.

### **SIDE PAD > SIDE PAD [2018-2022] > INSTALLATION**

To install, reverse the removal procedure.

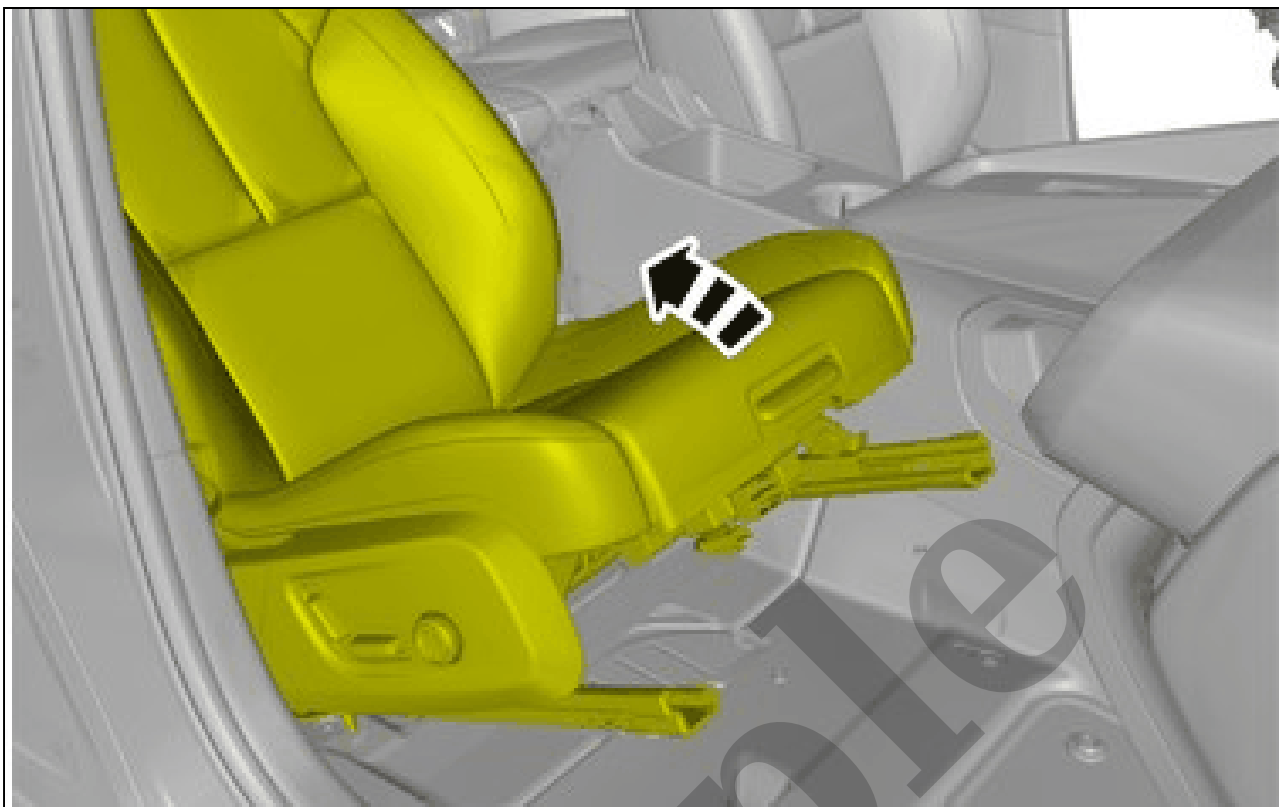
### **UPHOLSTERY SEAT CUSHION REAR > UPHOLSTERY SEAT CUSHION REAR [2018-2022] > REMOVAL**

Remove the seat cushion, rear seat. Refer to: SEAT CUSHION, REAR SEAT



Courtesy of VOLVO CARS CORPORATION

Sample

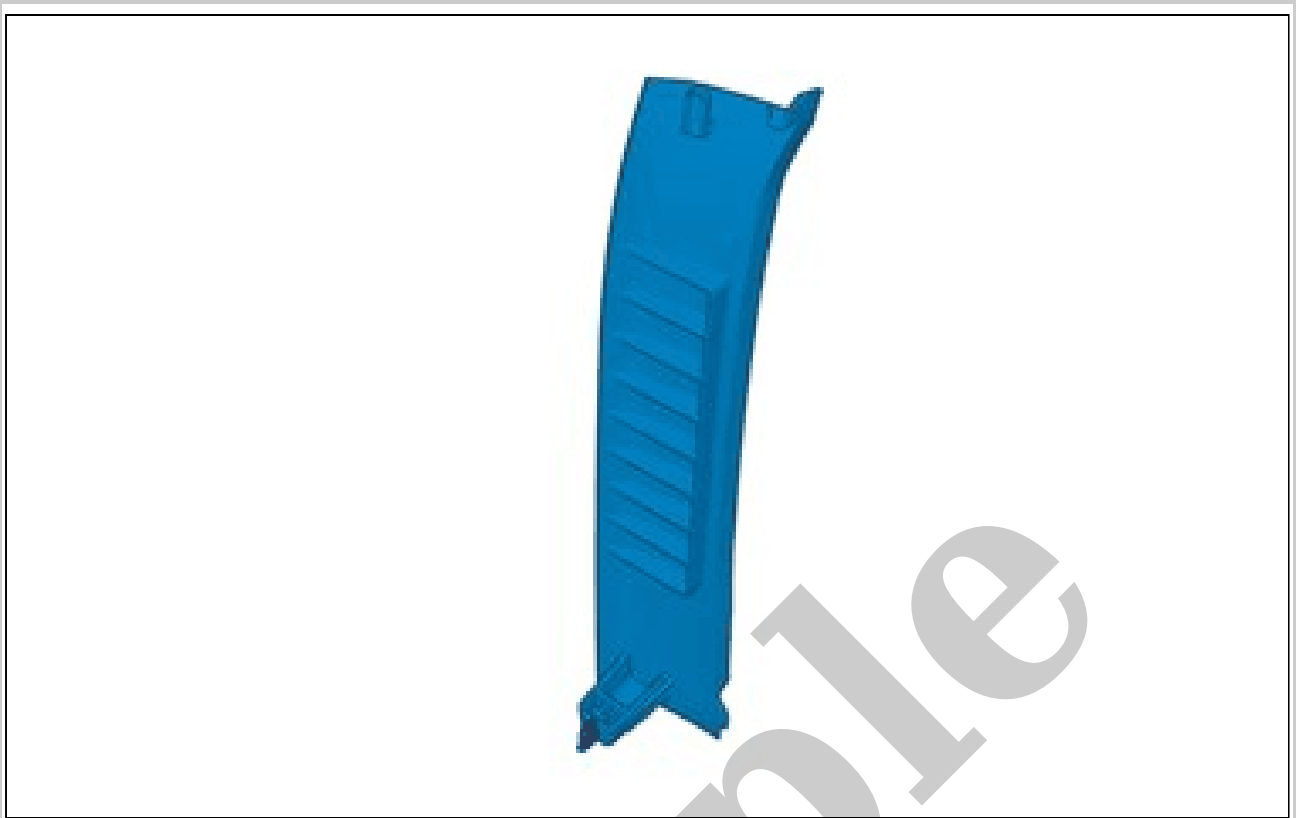


Courtesy of VOLVO CARS CORPORATION

**CAUTION:** *Place a suitable support under the front seat to prevent it from falling forward.*

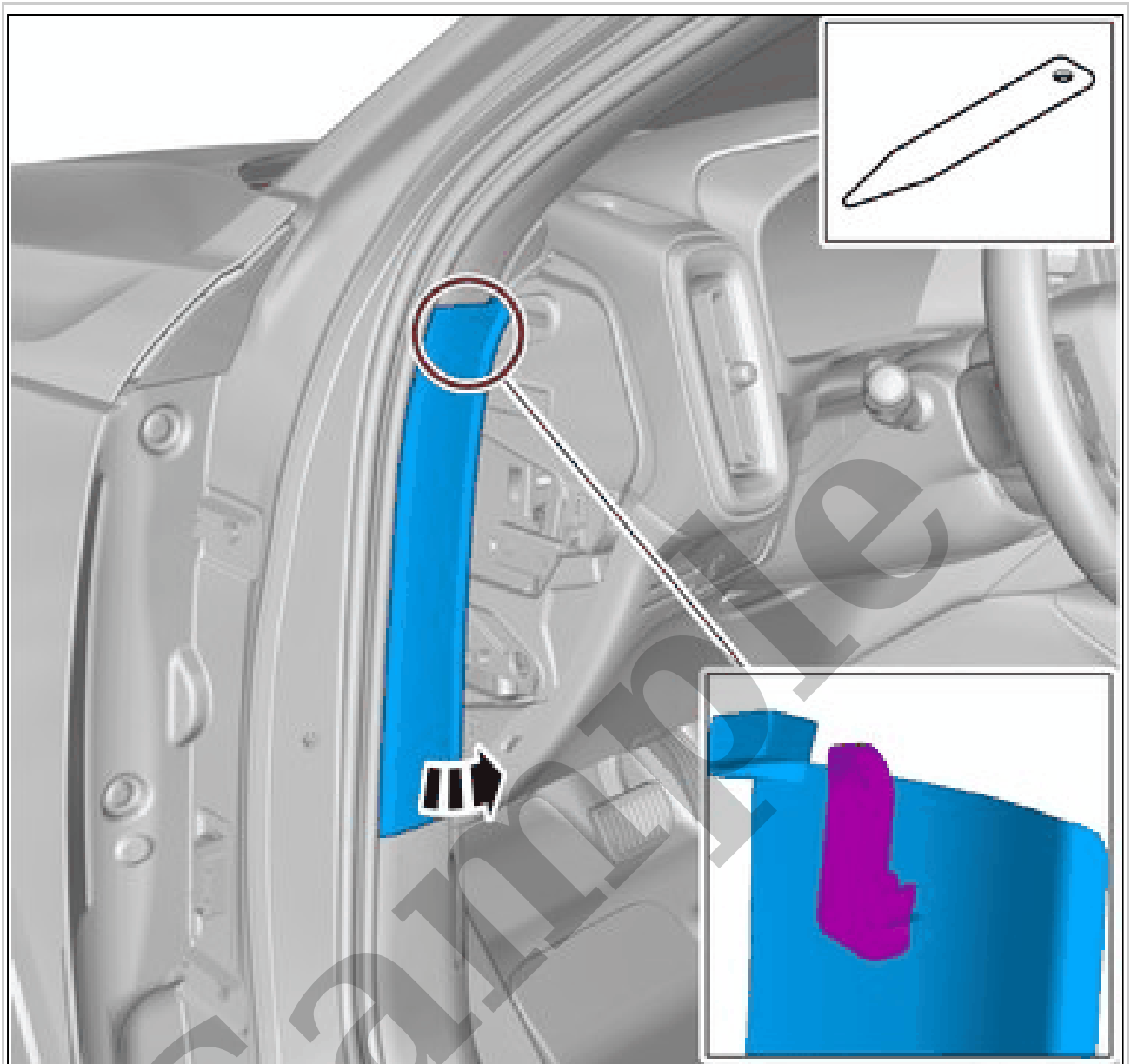
**FRONT FLOOR CARPET > FRONT FLOOR CARPET [2018-2022] > REMOVAL >  
APPLIES TO THE LEFT-HAND SIDE:**





Courtesy of VOLVO CARS CORPORATION

The graphic shows the back of the component.



Courtesy of VOLVO CARS CORPORATION

Remove the panel.