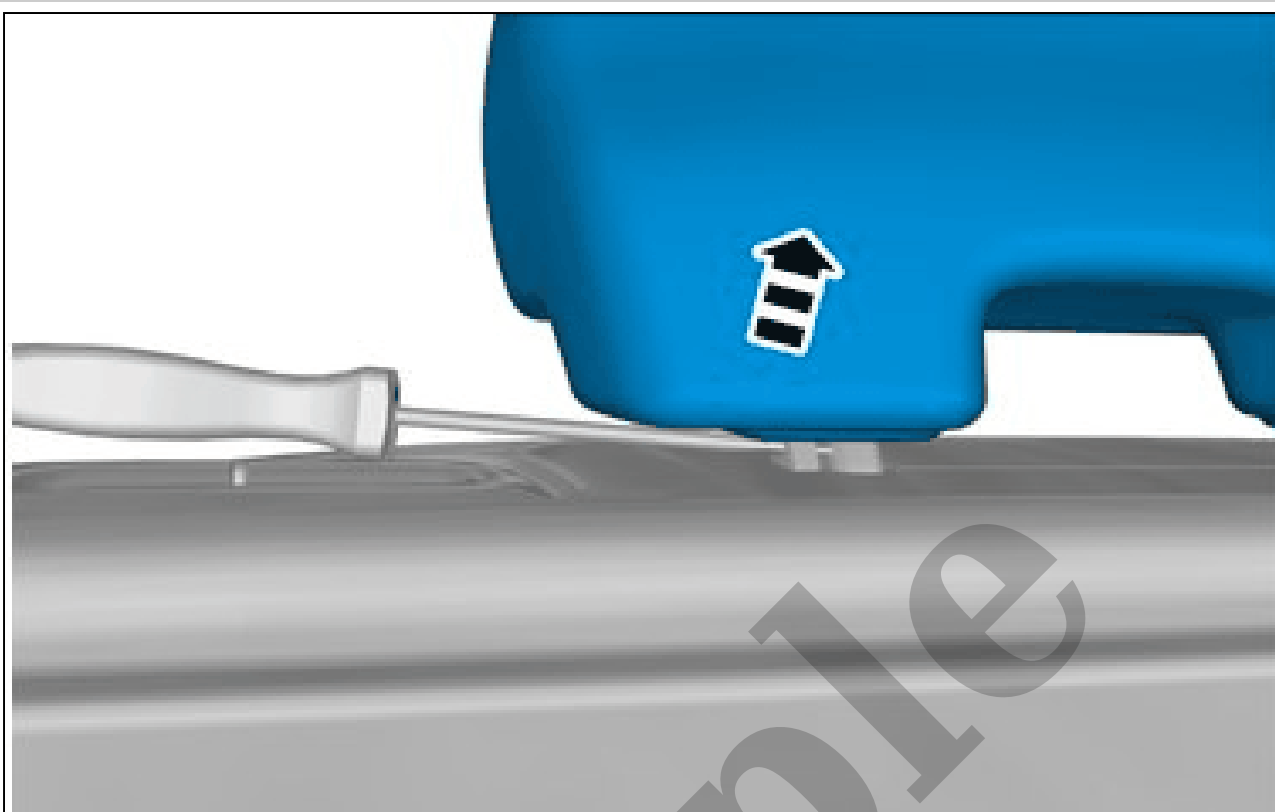


Your Ultimate Source for OEM Repair Manuals

FactoryManuals.net is a great resource for anyone who wants to save money on repairs by doing their own work. The manuals provide detailed instructions and diagrams that make it easy to understand how to fix a vehicle.

2016 Volvo XC70 Manual - Service & Repair Guide

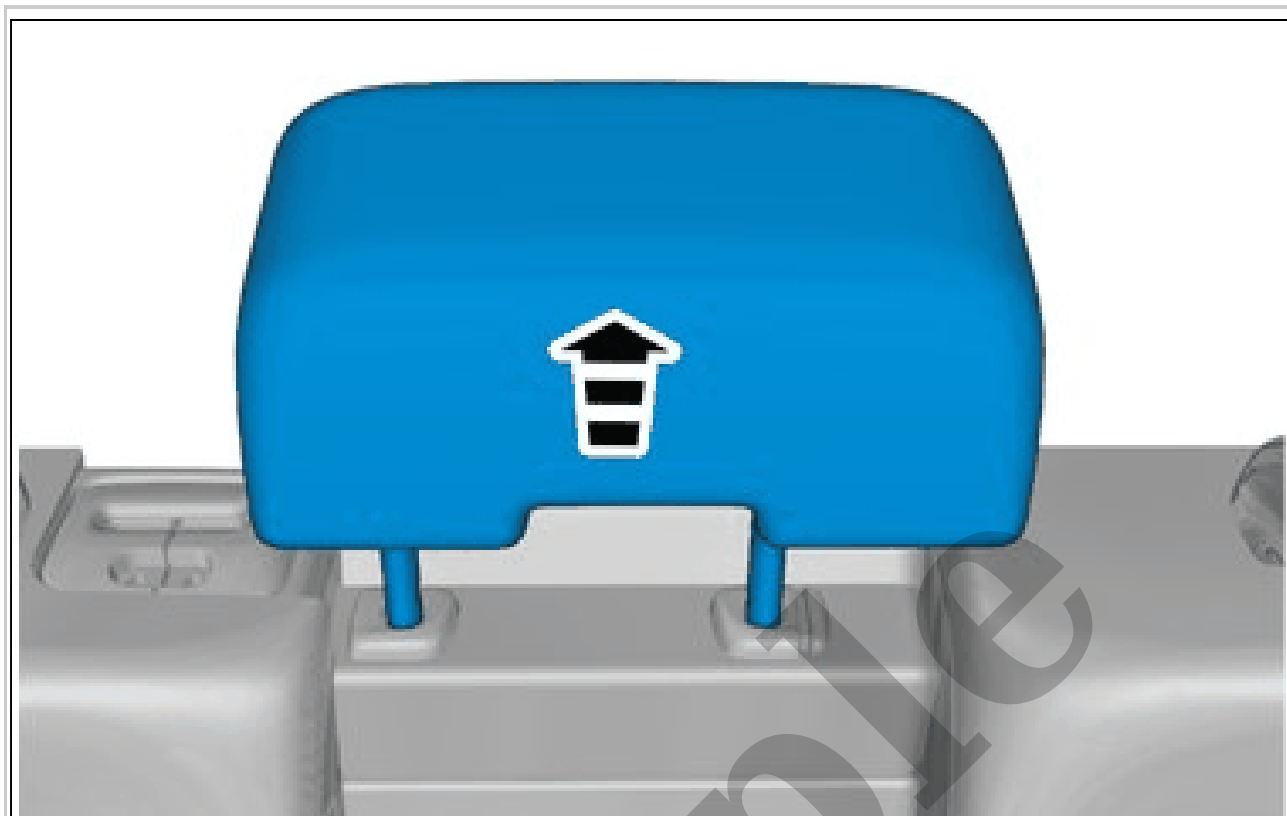
[Go to manual page](#)



Courtesy of VOLVO CARS CORPORATION

Lift the marked component up

Sample



Courtesy of VOLVO CARS CORPORATION

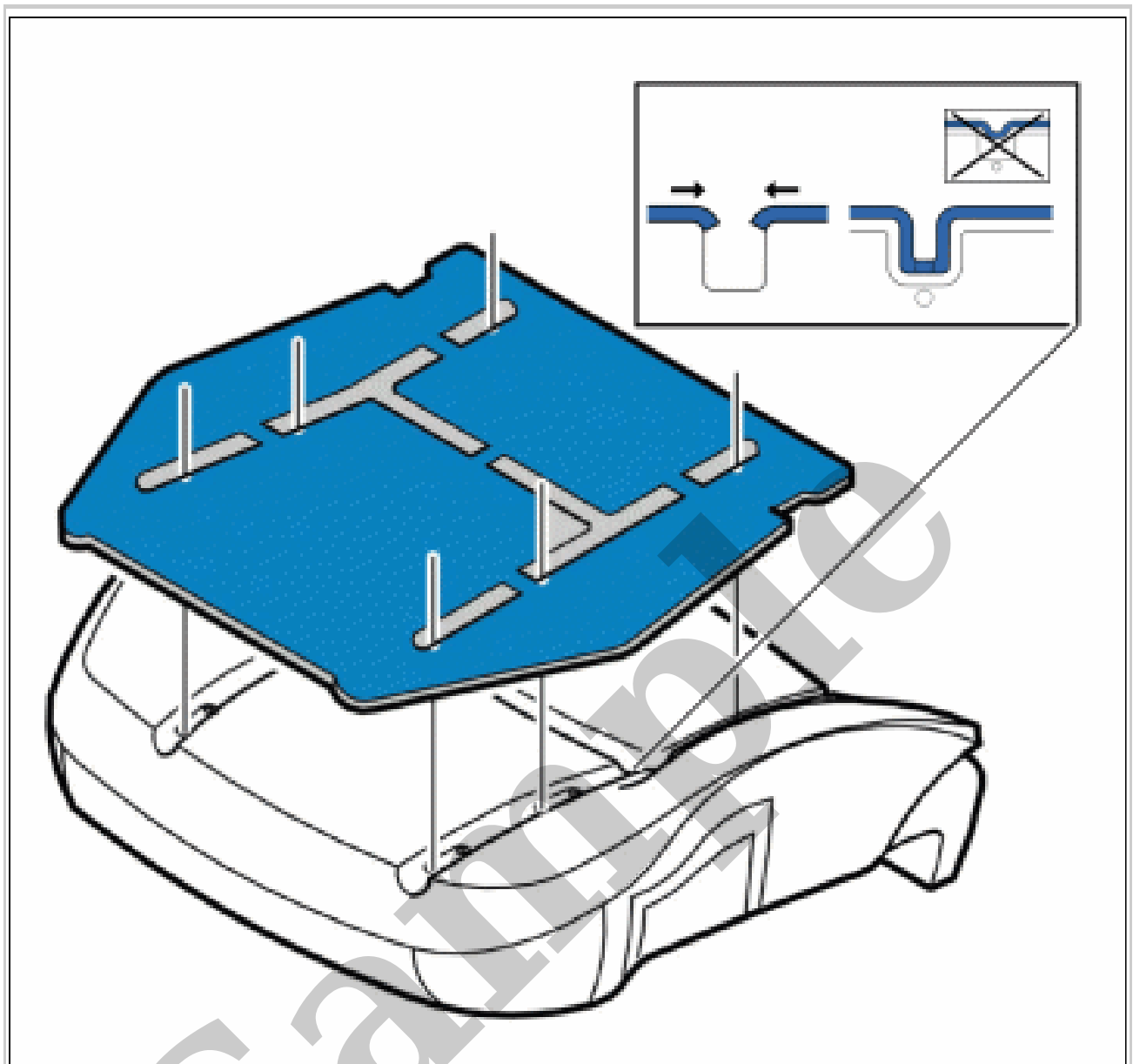
Remove the marked part.

**HEAD RESTRAINT, SECOND SEAT ROW > HEAD RESTRAINT, SECOND SEAT ROW
[2018-2022] > INSTALLATION**

To install, reverse the removal procedure.

**HEATING ELEMENT, BACKREST CUSHION > HEATING ELEMENT, BACKREST
CUSHION [2018-2022] > REMOVAL > APPLIES TO THE RIGHT-HAND SIDE**

Remove rear seat backrest, right. Refer to: REAR SEAT BACKREST, RIGHT



Courtesy of VOLVO CARS CORPORATION

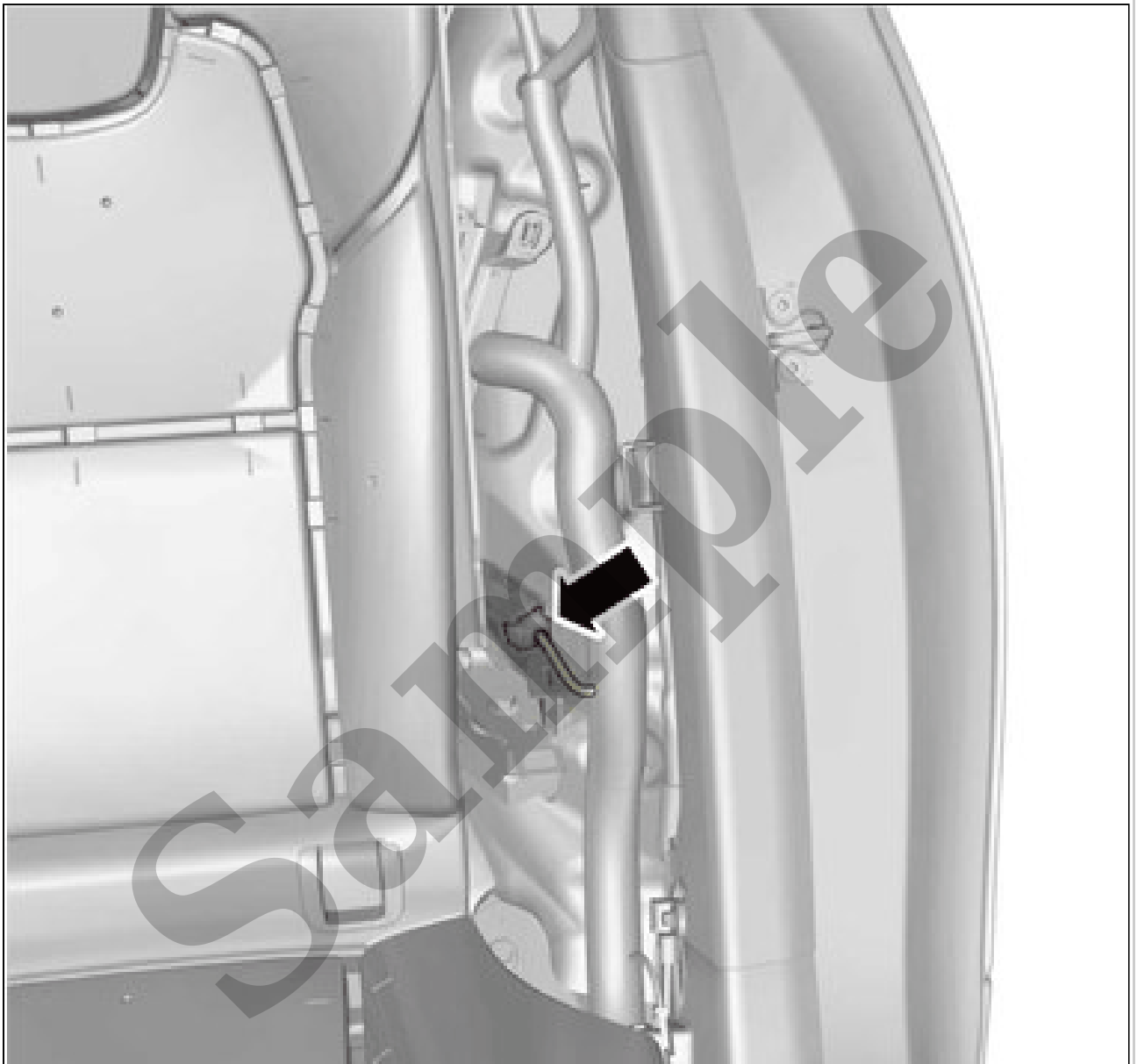
CAUTION: Make sure to place the component as the graphic shows.

NOTE: Make sure that a new component is installed.

To install, reverse the removal procedure.

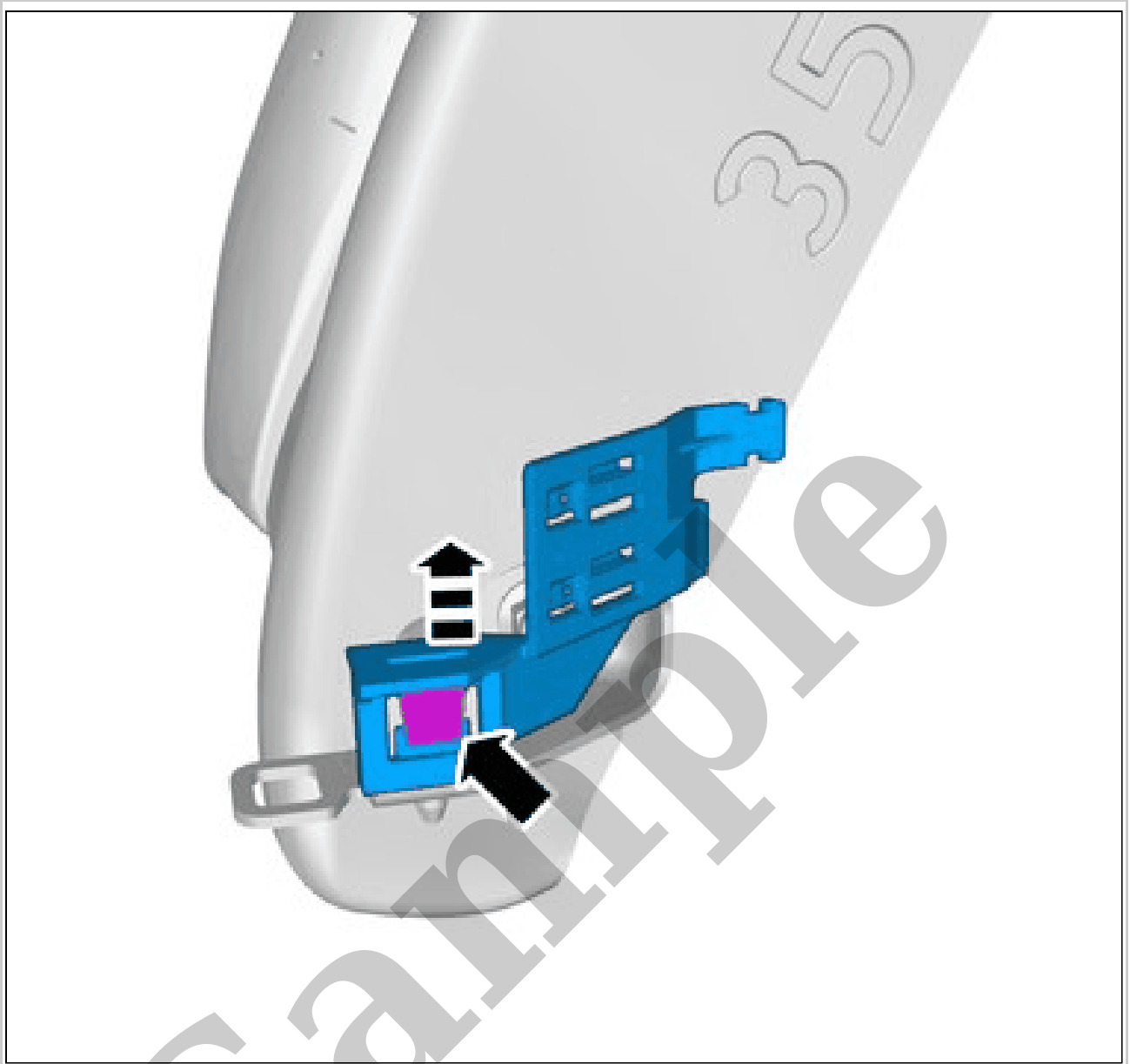
NOTE: Removal steps in this procedure may contain installation details.

Remove the side pad. Refer to: SIDE PAD



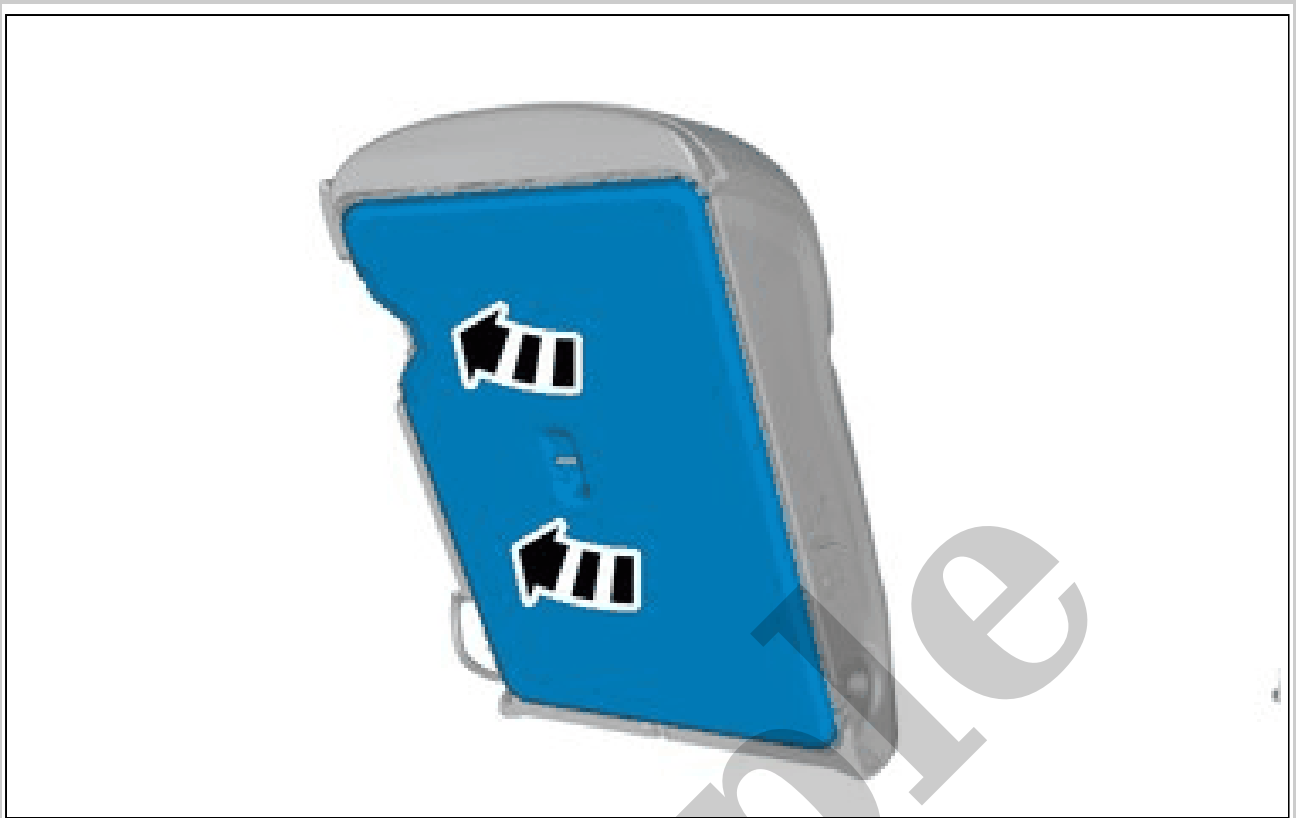
Courtesy of VOLVO CARS CORPORATION

Disconnect the connector.



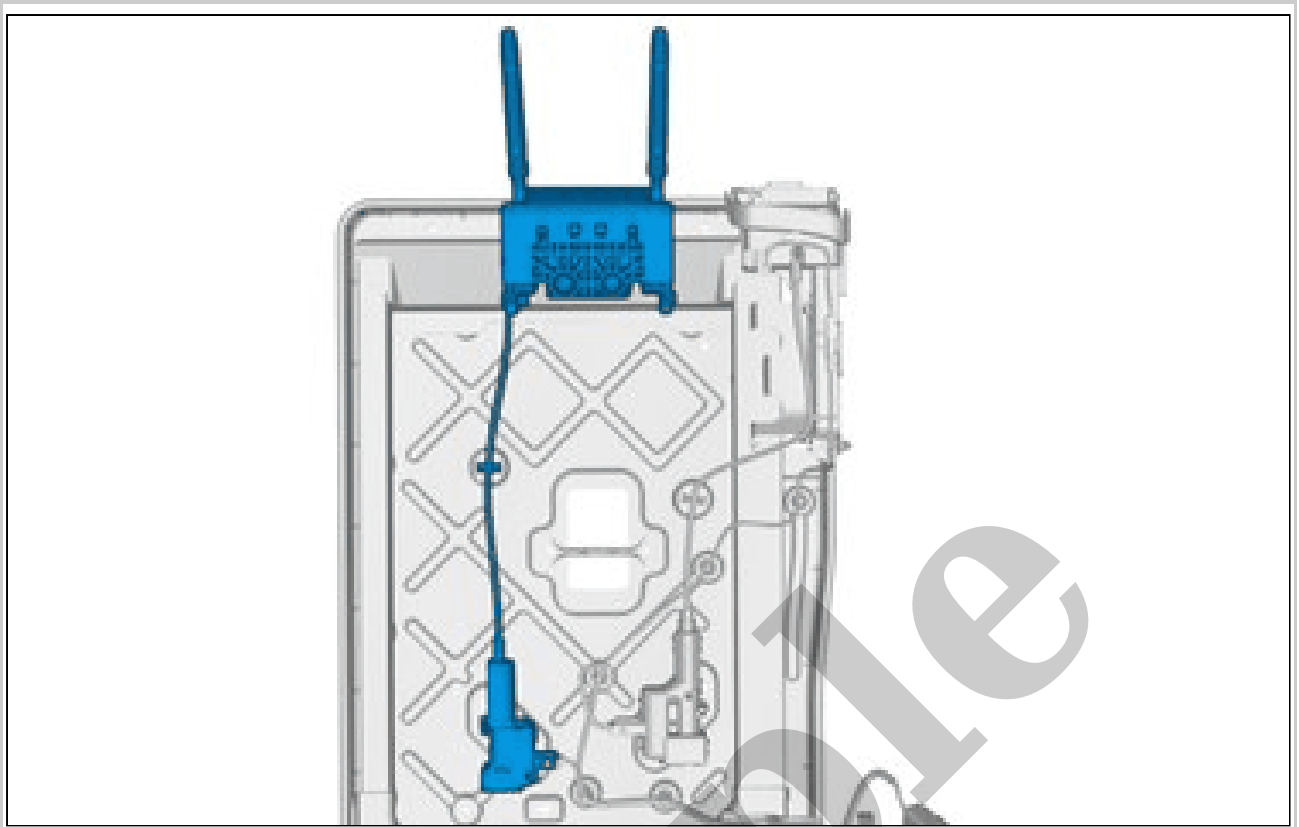
Courtesy of VOLVO CARS CORPORATION

Remove the marked part.



Courtesy of VOLVO CARS CORPORATION

Remove the marked part.



Courtesy of VOLVO CARS CORPORATION

Remove the marked part.



Courtesy of VOLVO CARS CORPORATION

Remove the marked part.

INSTALLATION

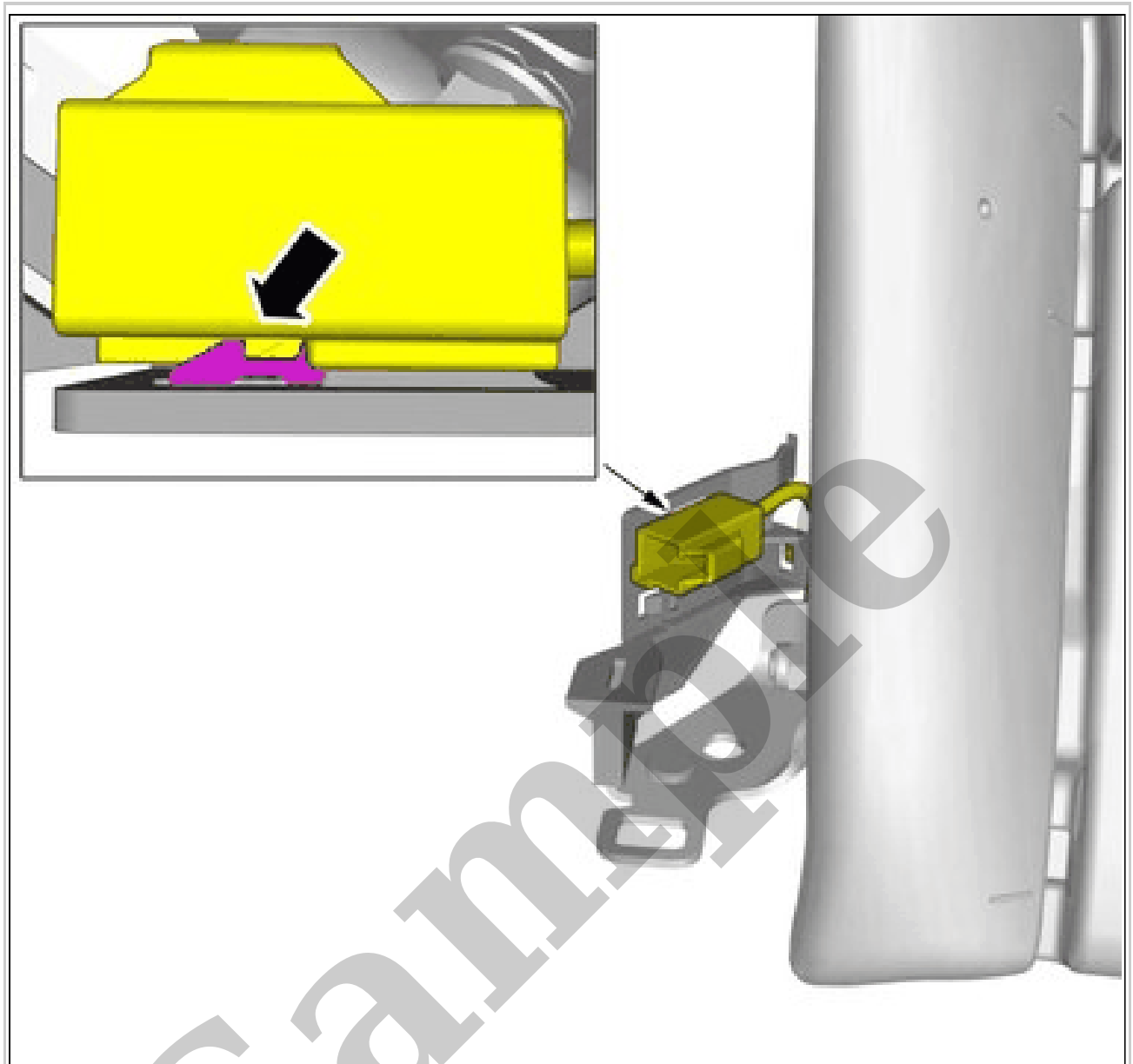
To install, reverse the removal procedure.

REAR SEAT BACKREST, RIGHT > REAR SEAT BACKREST, RIGHT [2018-2022] > REMOVAL AND INSTALLATION

REMOVAL

NOTE: *Removal steps in this procedure may contain installation details.*

Remove the seat cushion, rear seat. Refer to: SEAT CUSHION, REAR SEAT
Remove the side pad. Refer to: SIDE PAD



Courtesy of VOLVO CARS CORPORATION

Release the lock.
Fold marked part aside.