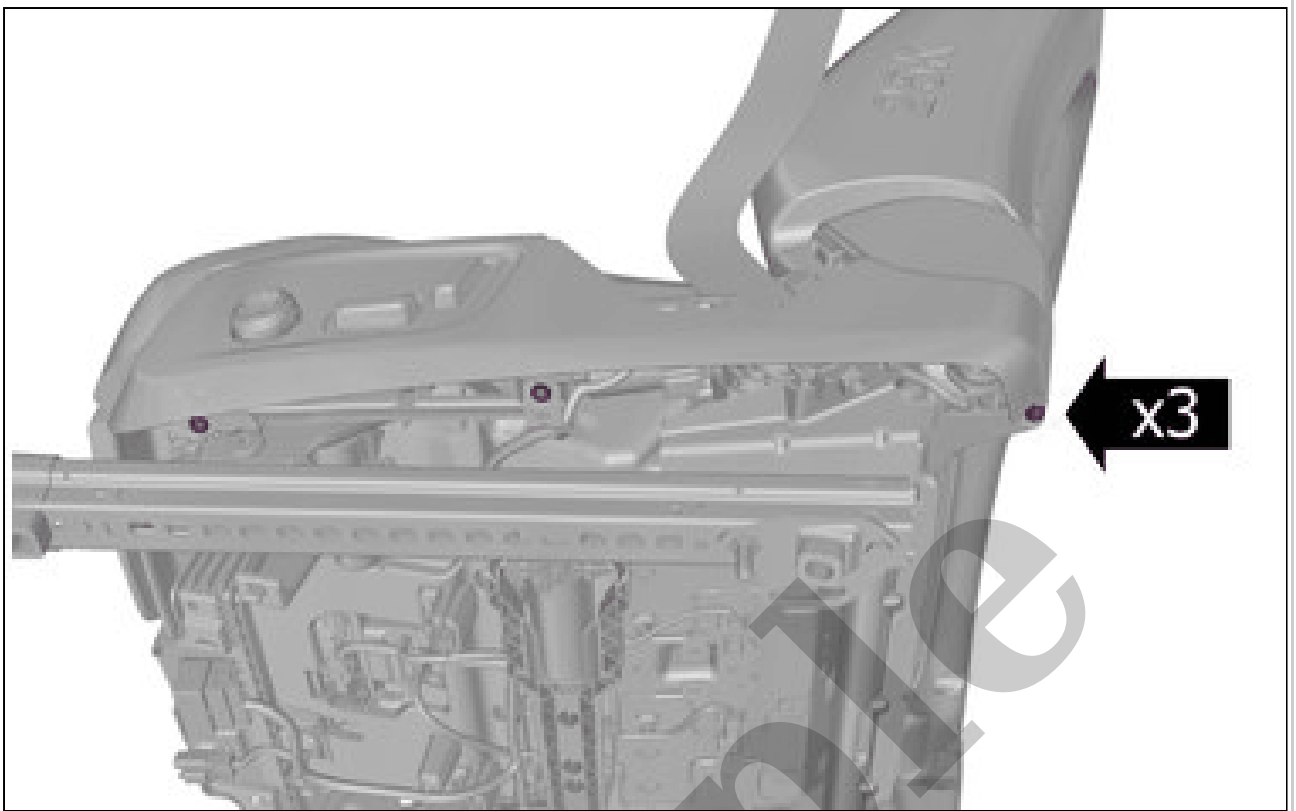


Your Ultimate Source for OEM Repair Manuals

FactoryManuals.net is a great resource for anyone who wants to save money on repairs by doing their own work. The manuals provide detailed instructions and diagrams that make it easy to understand how to fix a vehicle.

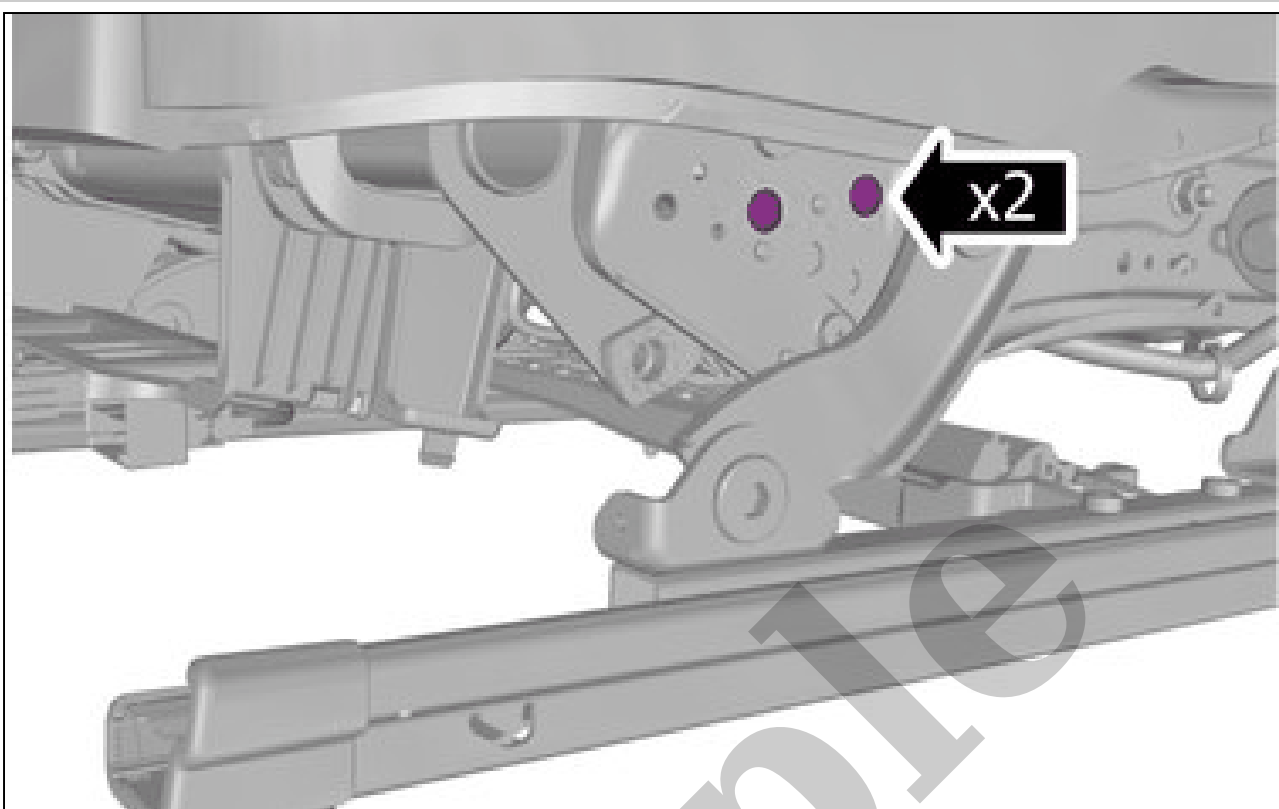
2016 VOLVO XC70 OEM Service and Repair Workshop Manual

[Go to manual page](#)



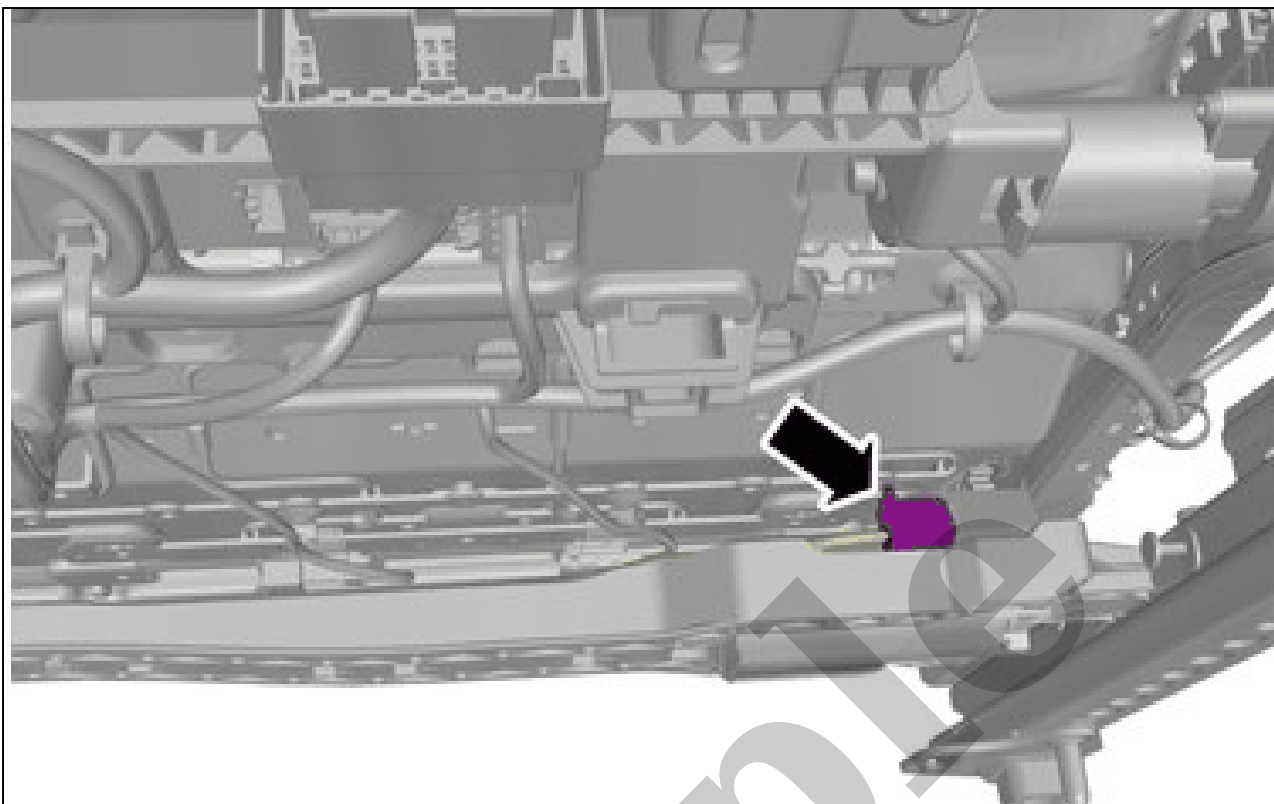
Courtesy of VOLVO CARS CORPORATION

Remove the screws.



Courtesy of VOLVO CARS CORPORATION

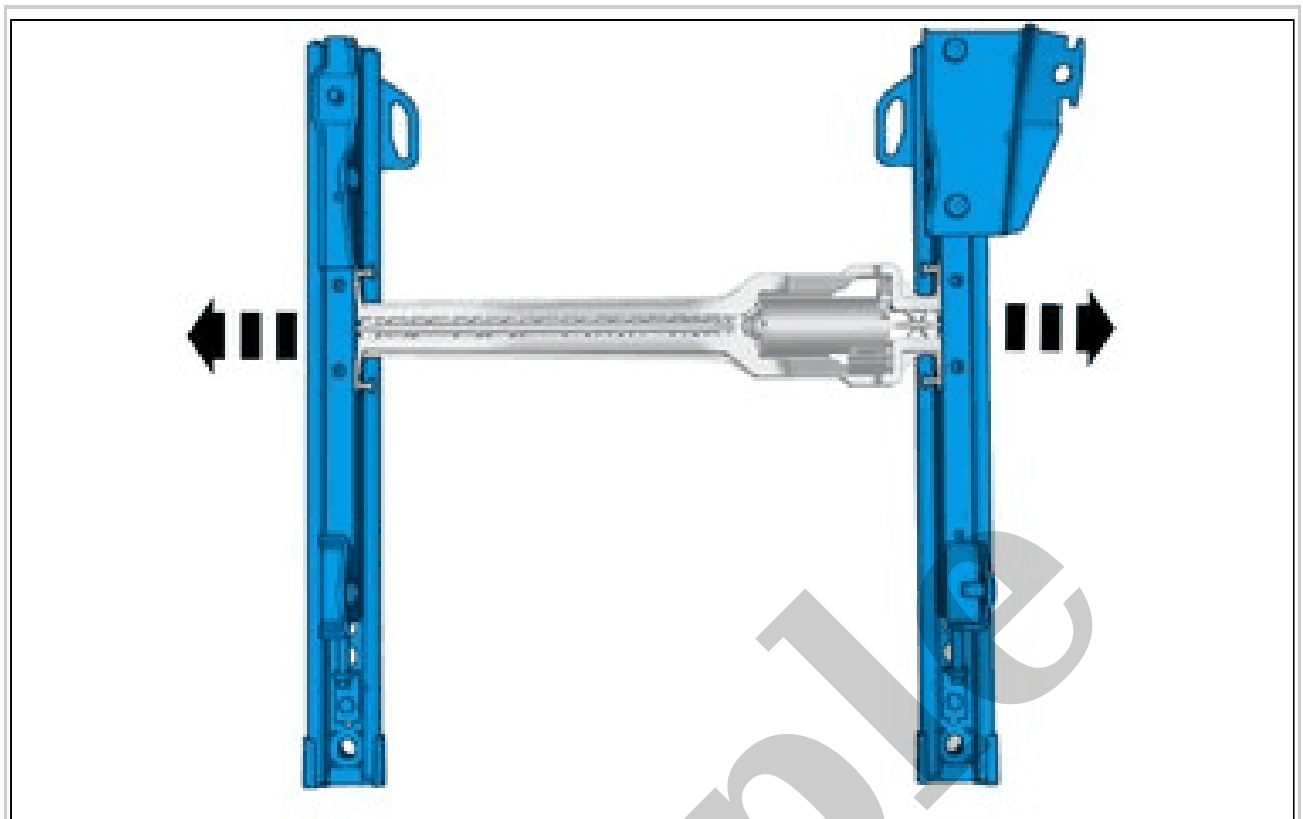
Remove the screws.



Courtesy of VOLVO CARS CORPORATION

Disconnect the connector.

SEAT TRACK FRONT SEAT > SEAT TRACK FRONT SEAT [2018-2022] > REMOVAL > ALL VEHICLES



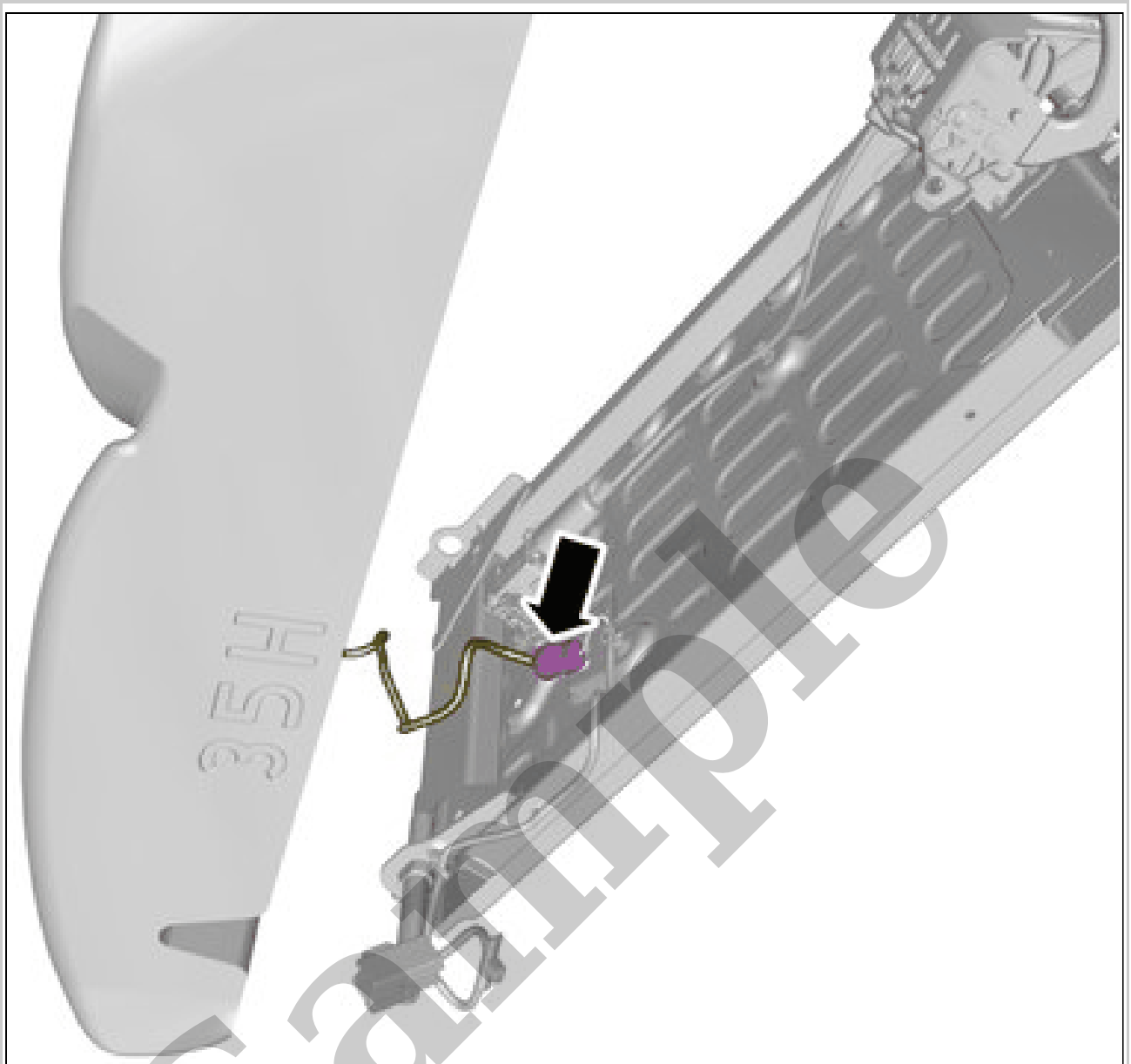
Courtesy of VOLVO CARS CORPORATION

Remove the marked part.

**SEAT TRACK FRONT SEAT > SEAT TRACK FRONT SEAT [2018-2022] >
INSTALLATION**

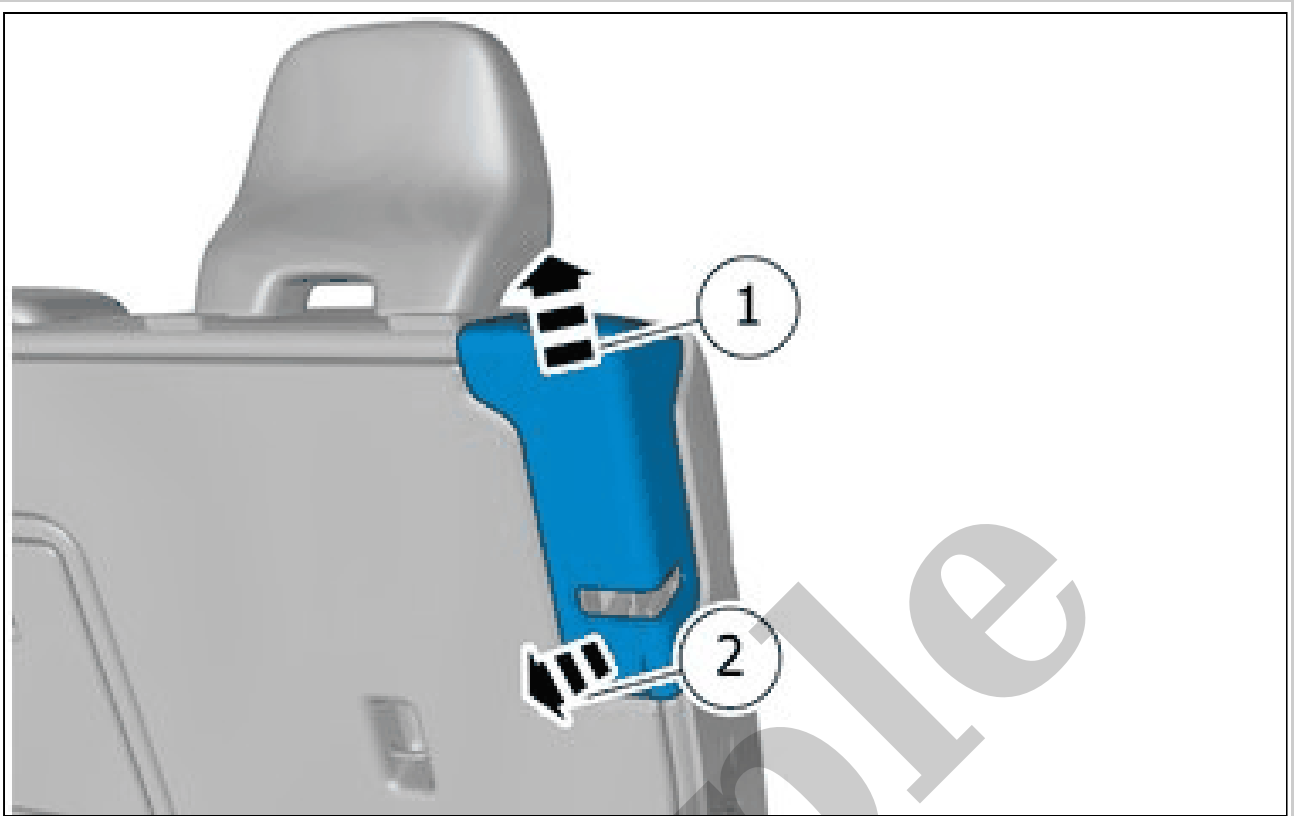
To install, reverse the removal procedure.

**SIDE PANEL FRONT SEAT > SIDE PANEL FRONT SEAT [2018-2022] > REMOVAL >
VEHICLES WITHOUT POWER SEATS**



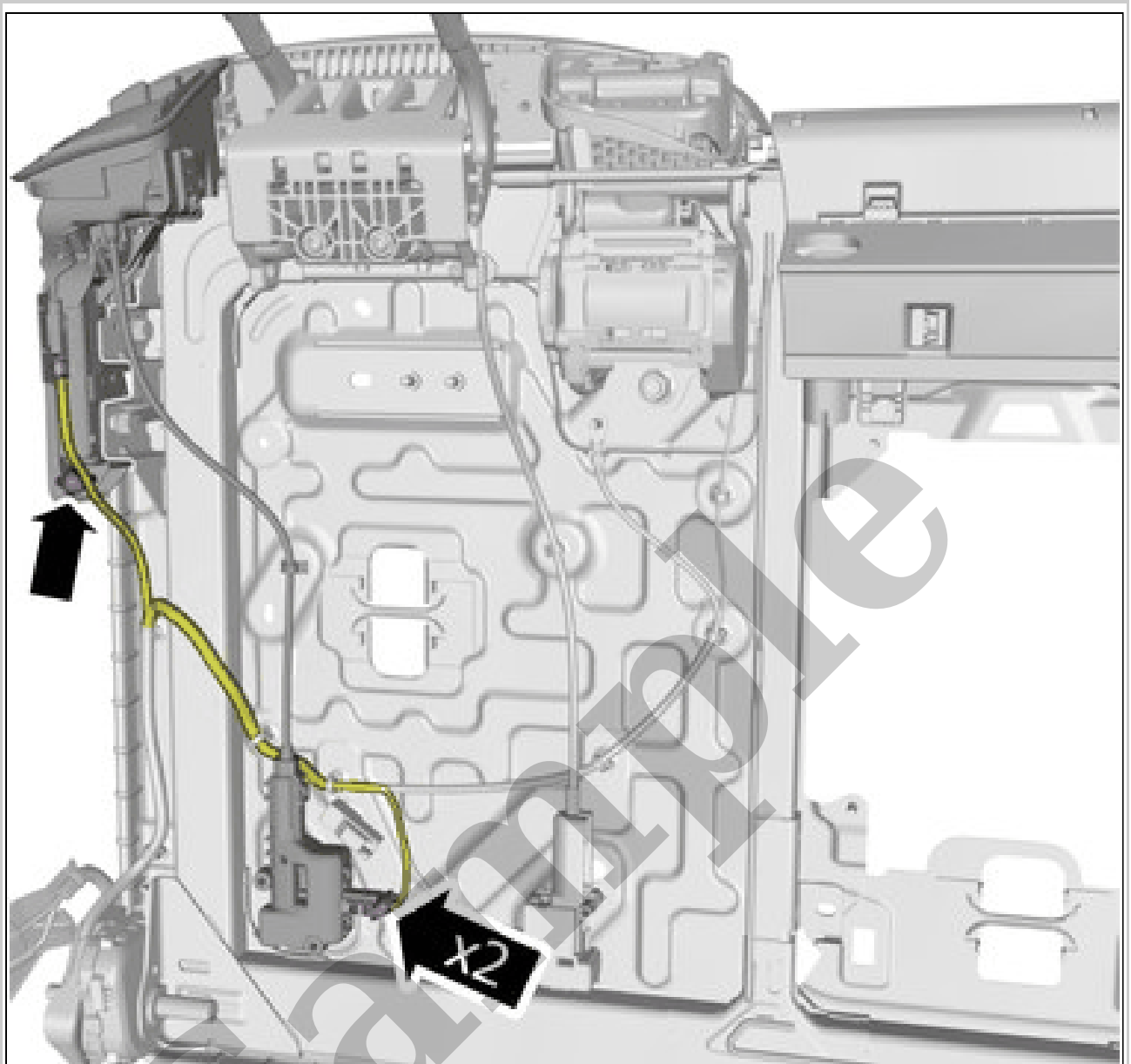
Courtesy of VOLVO CARS CORPORATION

Disconnect the connector.



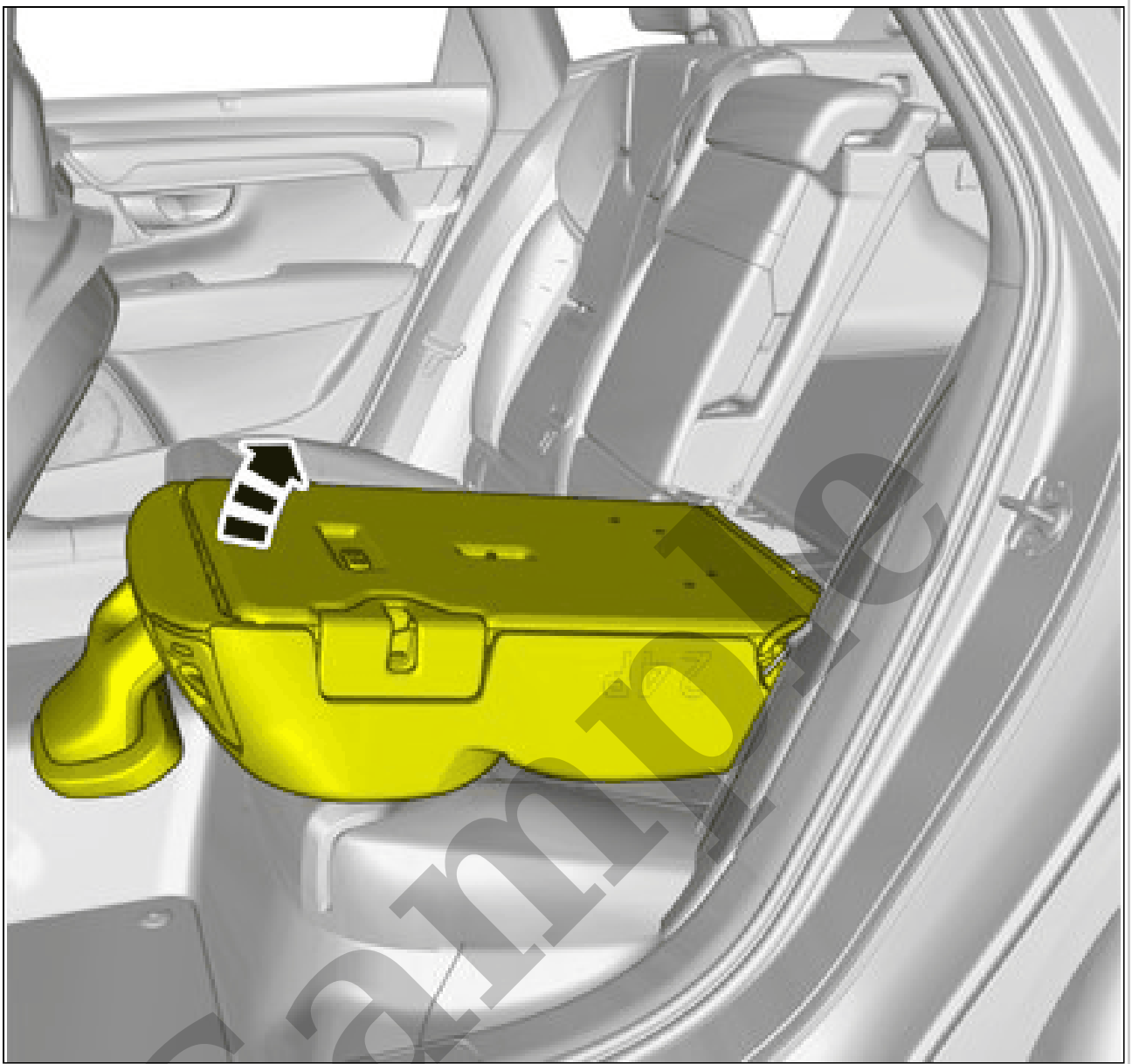
Courtesy of VOLVO CARS CORPORATION

Remove the marked part.

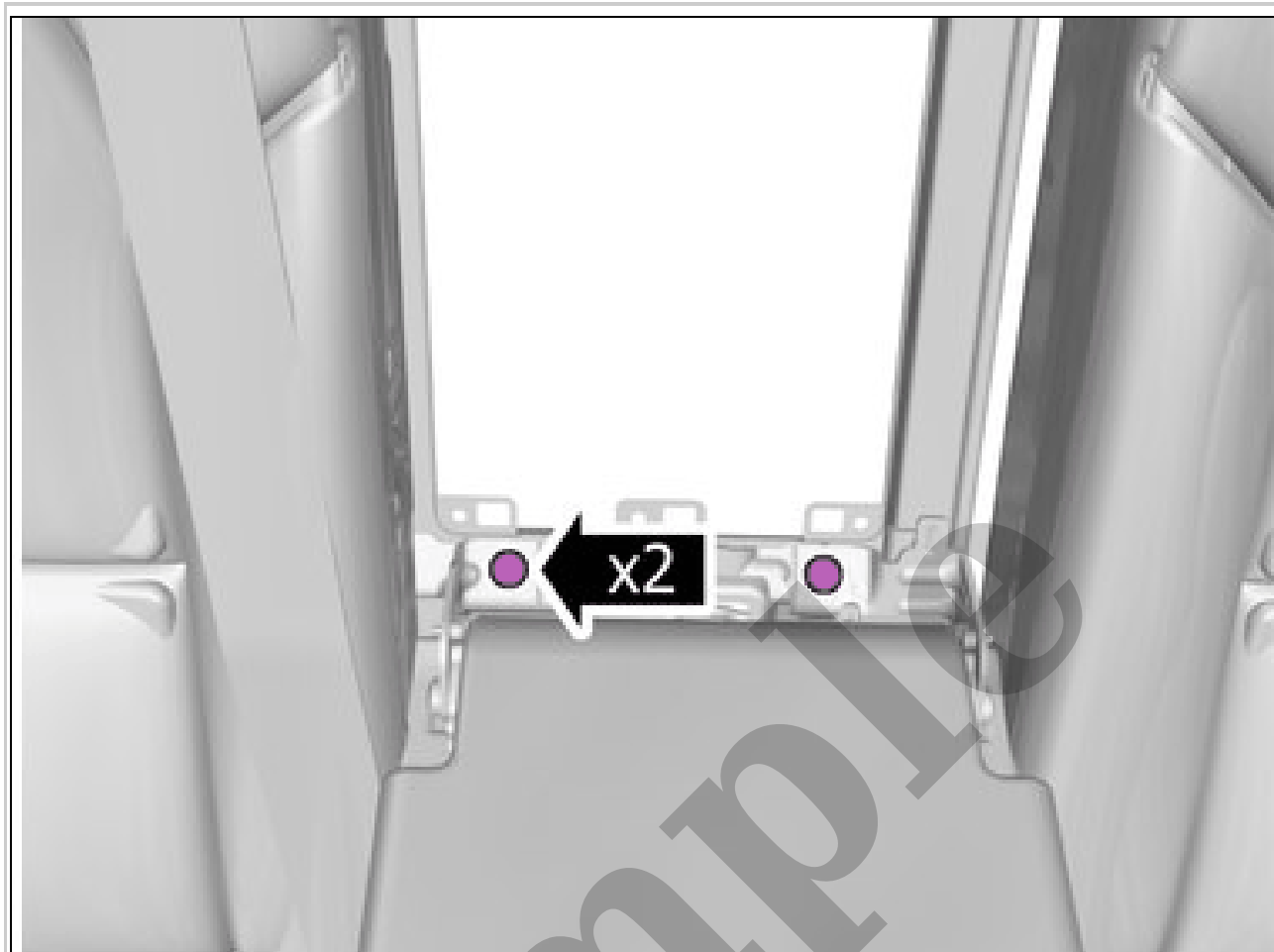


Courtesy of VOLVO CARS CORPORATION

Disconnect the connectors.



Courtesy of VOLVO CARS CORPORATION



Courtesy of VOLVO CARS CORPORATION

Remove the screws.