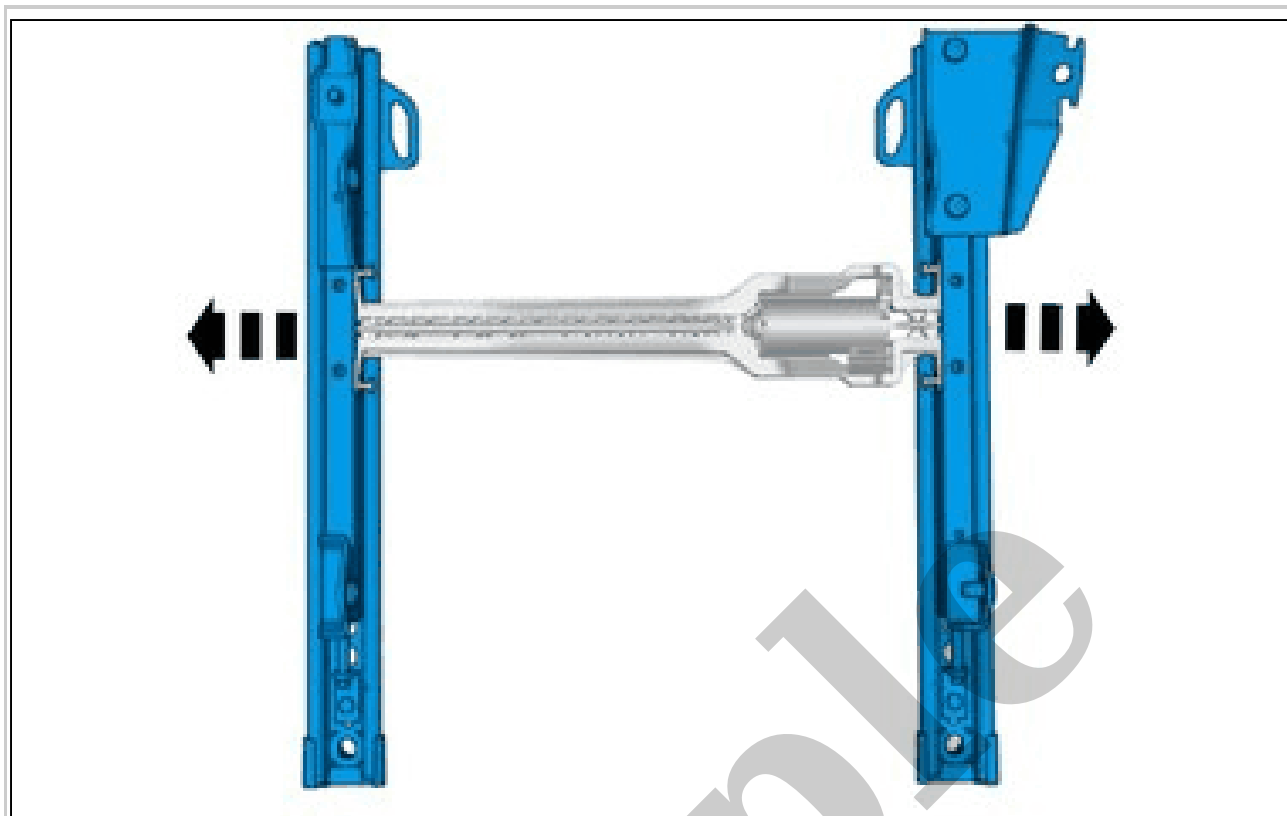


Your Ultimate Source for OEM Repair Manuals

FactoryManuals.net is a great resource for anyone who wants to save money on repairs by doing their own work. The manuals provide detailed instructions and diagrams that make it easy to understand how to fix a vehicle.

2016 Volvo XC60 Repair Manual & Workshop Service Guide

[Go to manual page](#)



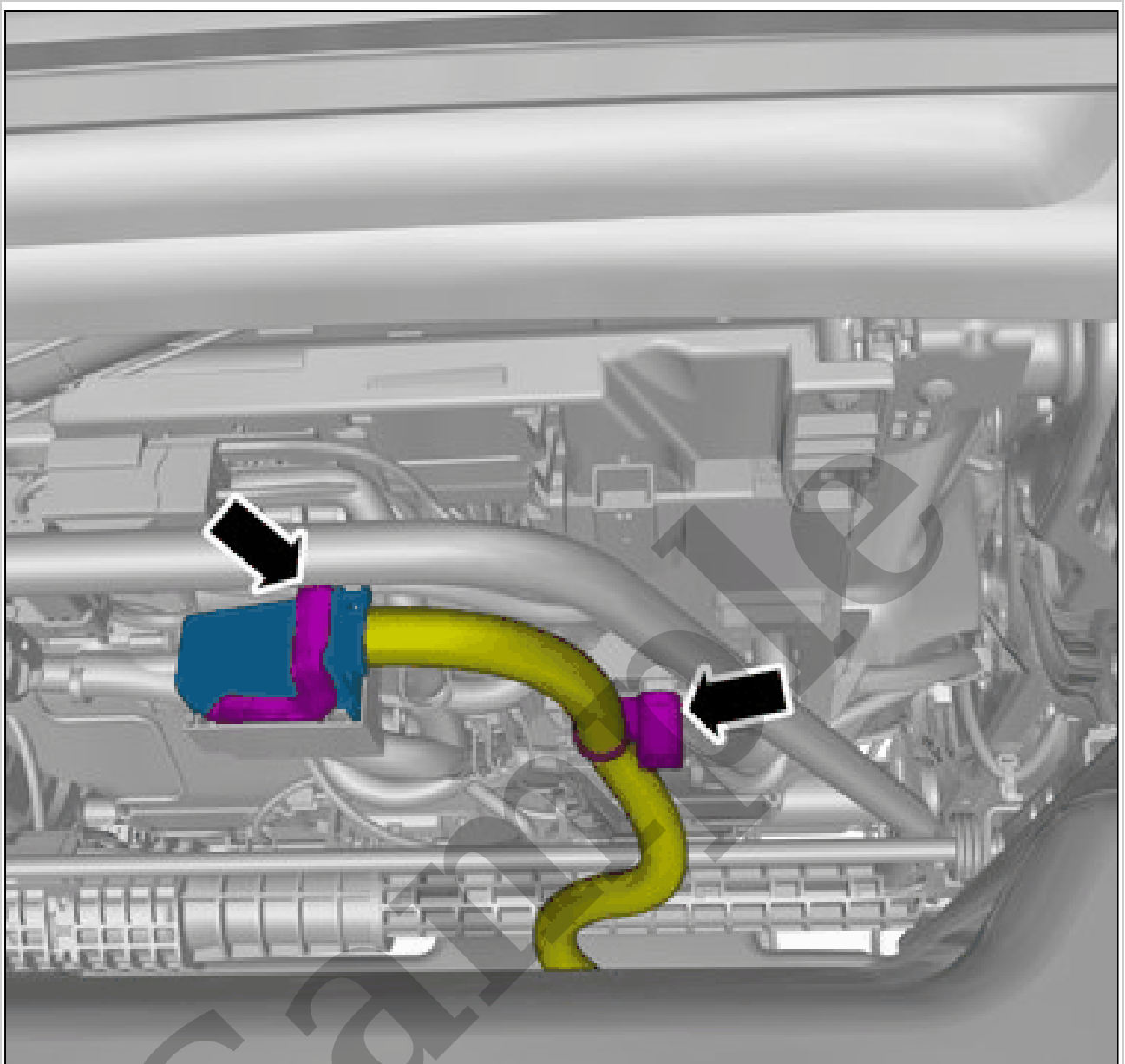
Courtesy of VOLVO CARS CORPORATION

Remove the marked part.

**MOTOR, SEAT POSITION ADJUSTMENT > MOTOR, SEAT POSITION ADJUSTMENT
[2018-2022] > INSTALLATION**

To install, reverse the removal procedure.

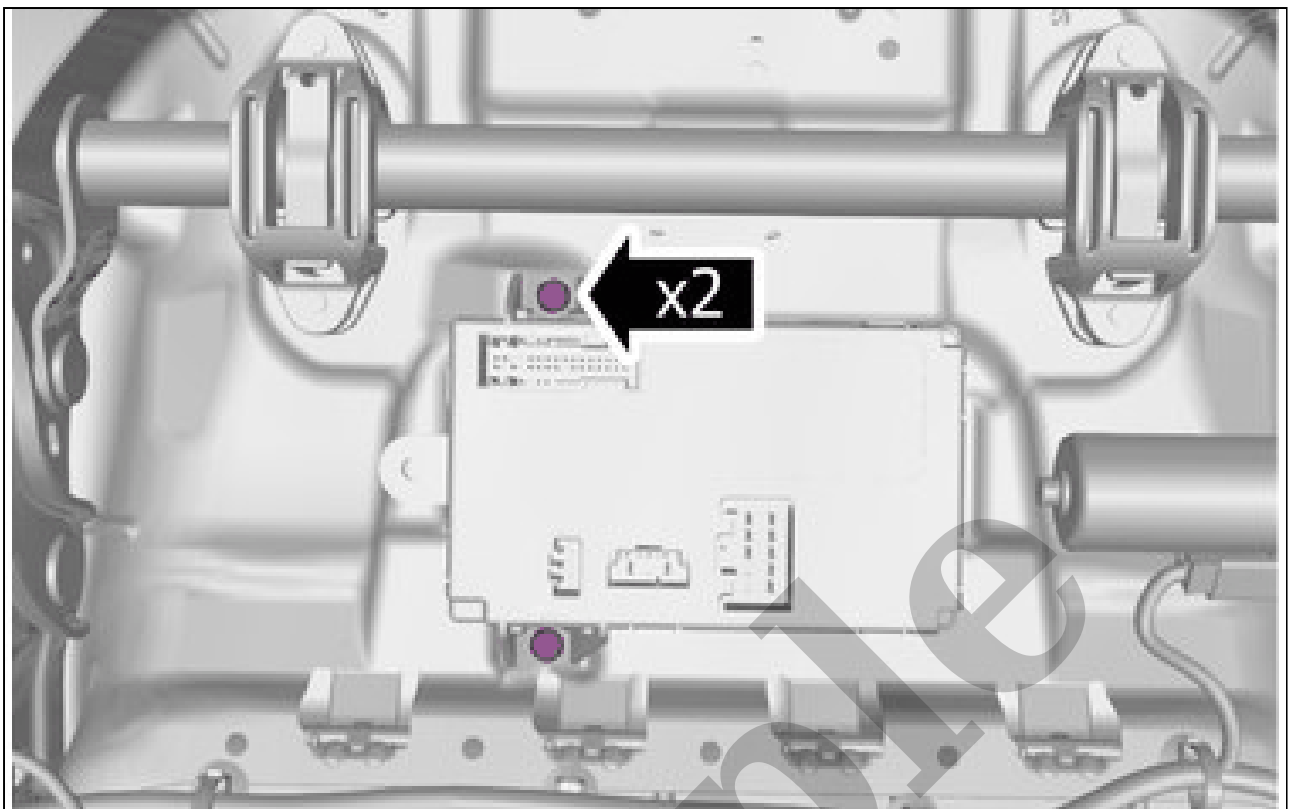
**POWER SEAT MODULE, DRIVER > POWER SEAT MODULE, DRIVER (PSMD) [2018-
2022] > REMOVAL > VALID FOR RELEVANT SIDE**



Courtesy of VOLVO CARS CORPORATION

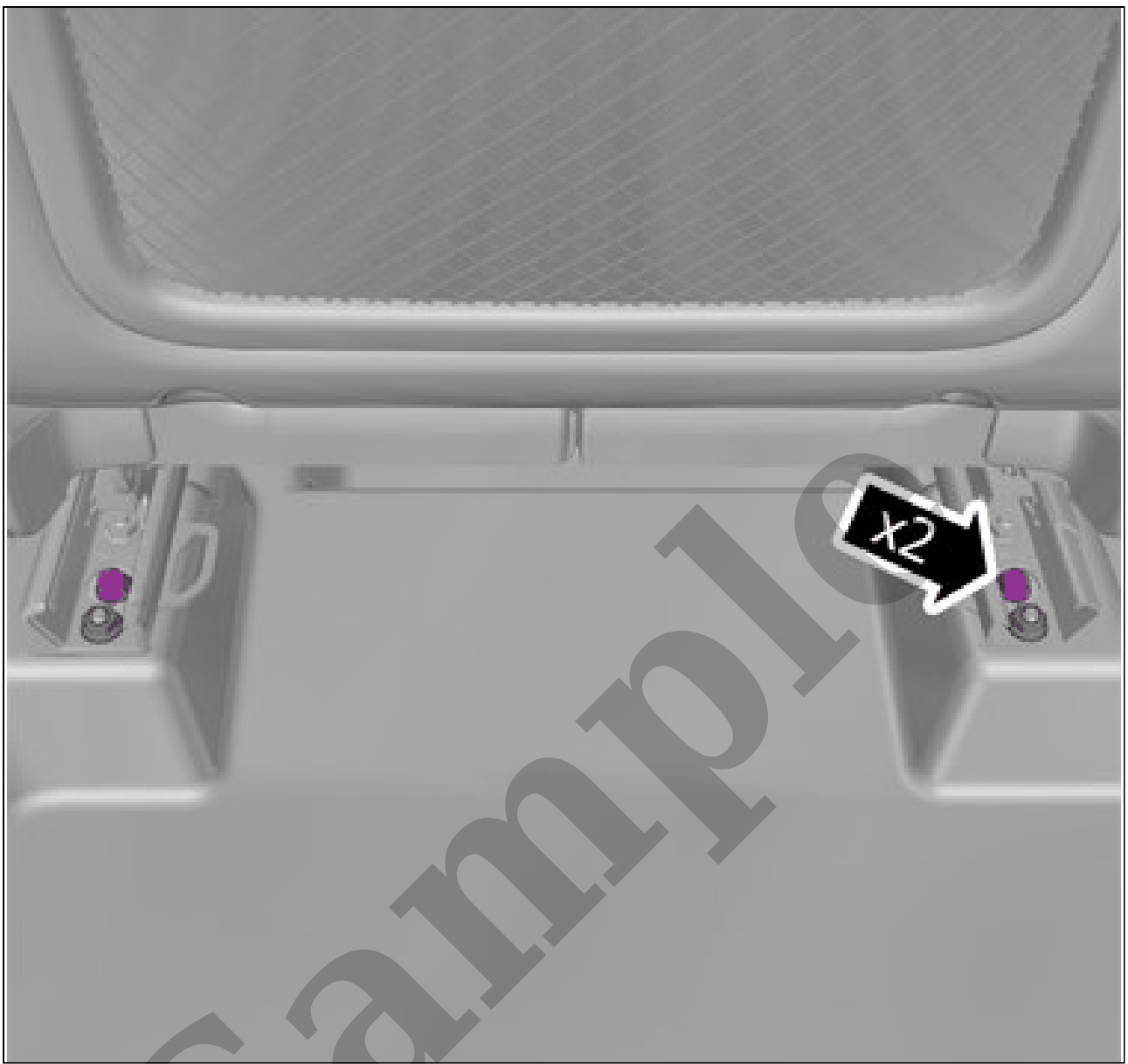
CAUTION: *The number of connectors, cables and cable ties may vary depending on the vehicle specification.*

Disconnect the connector.
Remove the fastener.



Courtesy of VOLVO CARS CORPORATION

Remove the screws.

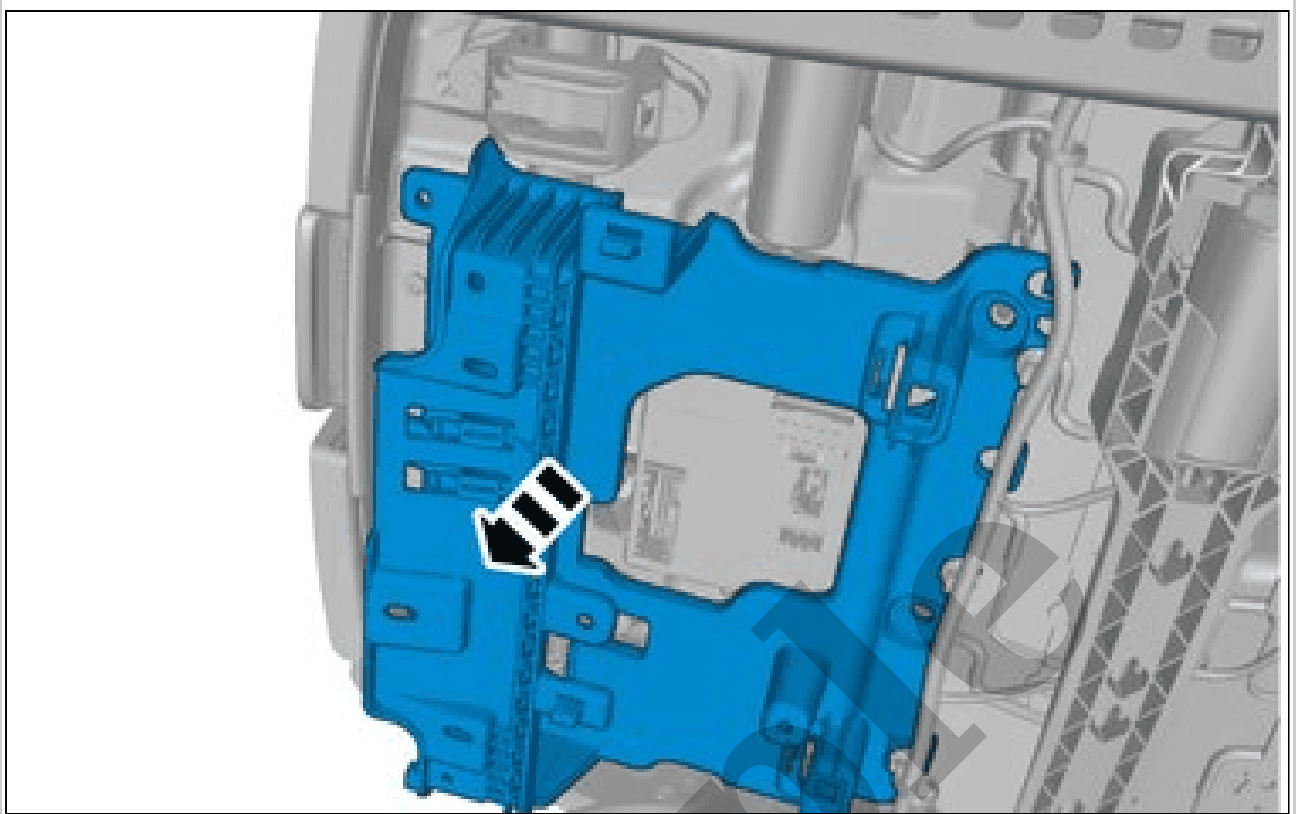


Courtesy of VOLVO CARS CORPORATION

Torque: Front seat to body, 40Nm

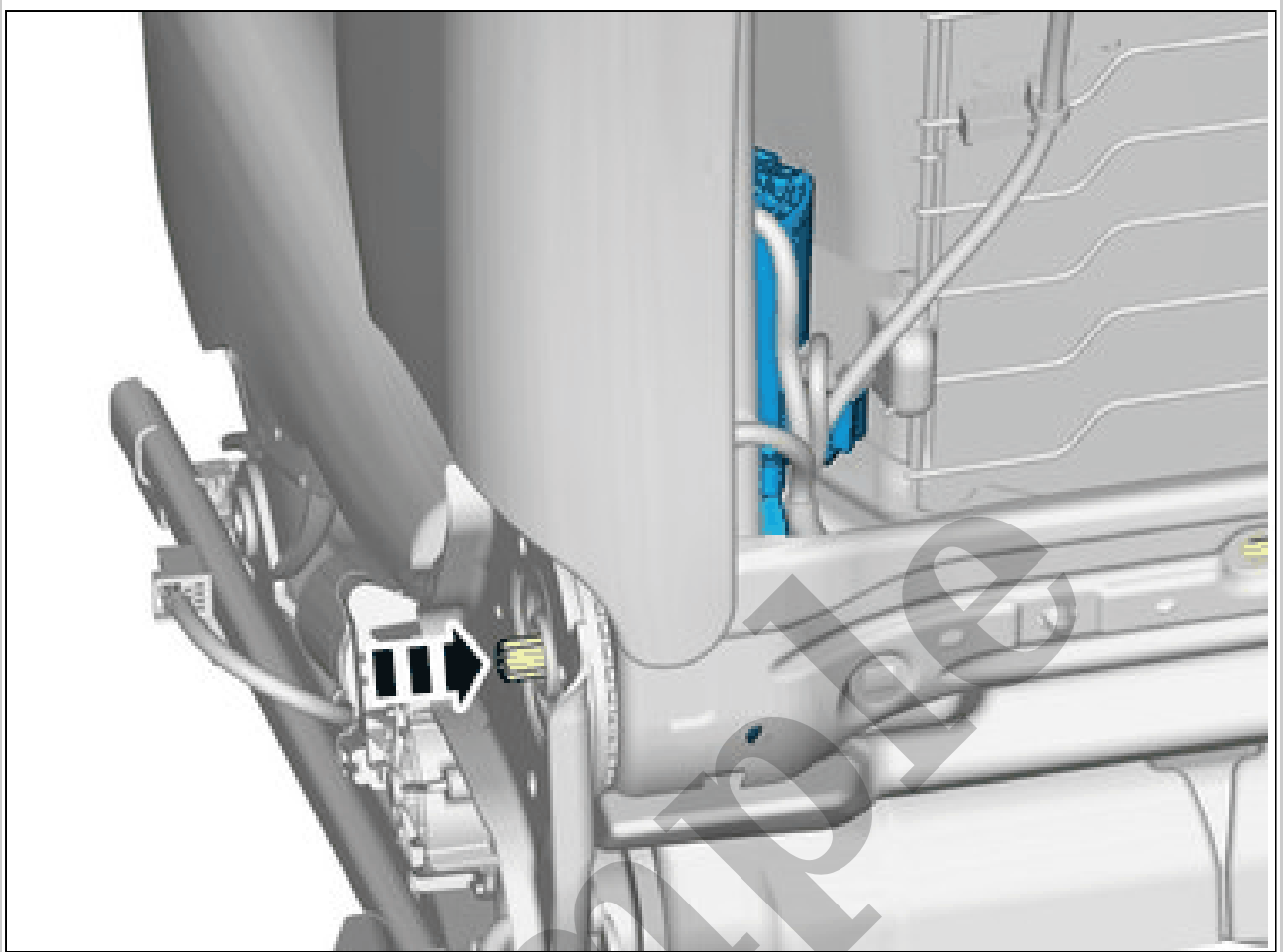
Loosen the screws.

Set the vehicle to Inactive mode, described in user mode. Refer to: USAGE MODE



Courtesy of VOLVO CARS CORPORATION

Remove the marked part.

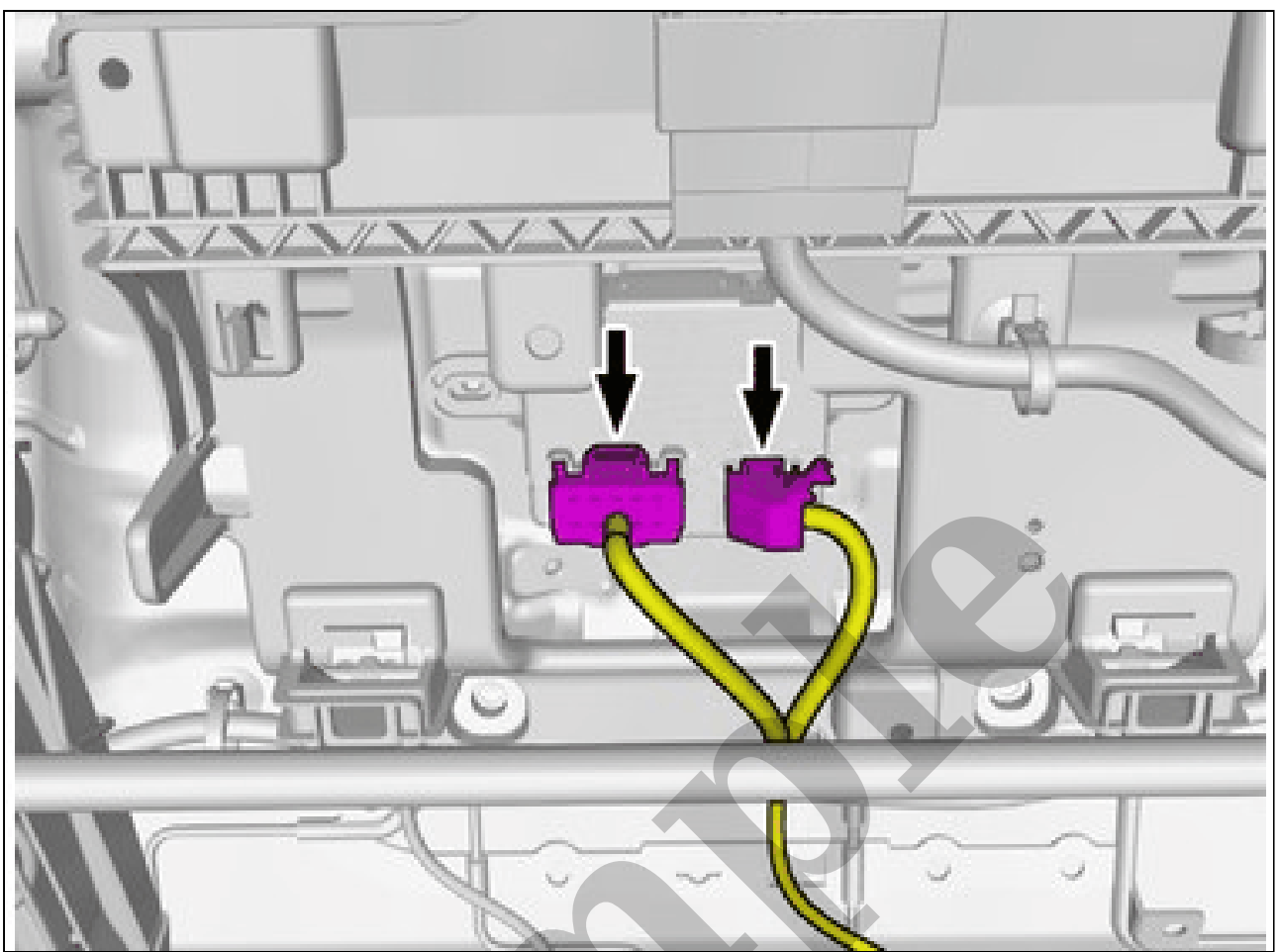


Courtesy of VOLVO CARS CORPORATION



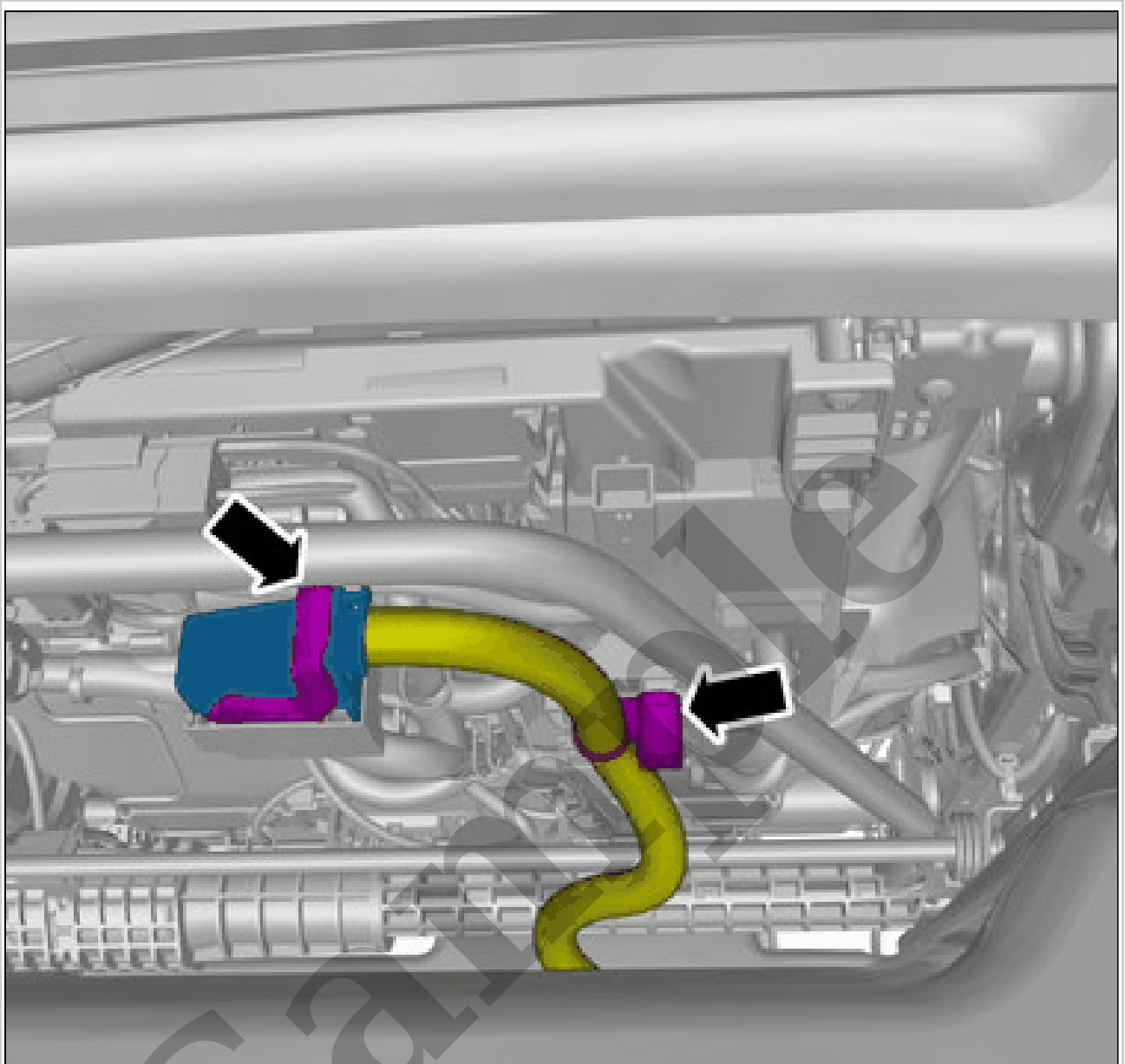
Courtesy of VOLVO CARS CORPORATION

Torque: Front seat to body, 40Nm
Loosen the screws.



Courtesy of VOLVO CARS CORPORATION

Disconnect the connectors.



Courtesy of VOLVO CARS CORPORATION

CAUTION: *The number of connectors, cables and cable ties may vary depending on the vehicle specification.*

Disconnect the connector.
Remove the fastener.