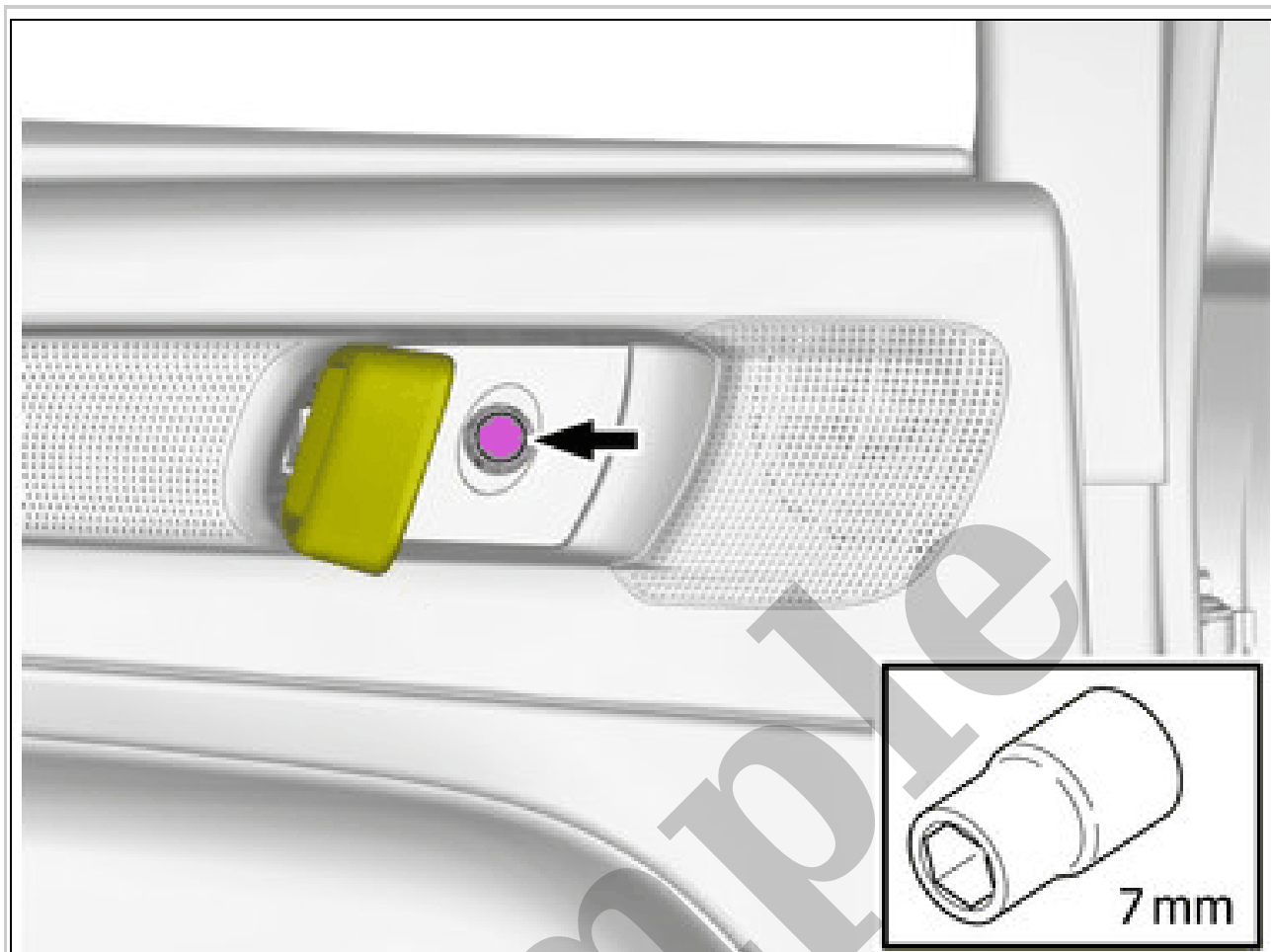


Your Ultimate Source for OEM Repair Manuals

FactoryManuals.net is a great resource for anyone who wants to save money on repairs by doing their own work. The manuals provide detailed instructions and diagrams that make it easy to understand how to fix a vehicle.

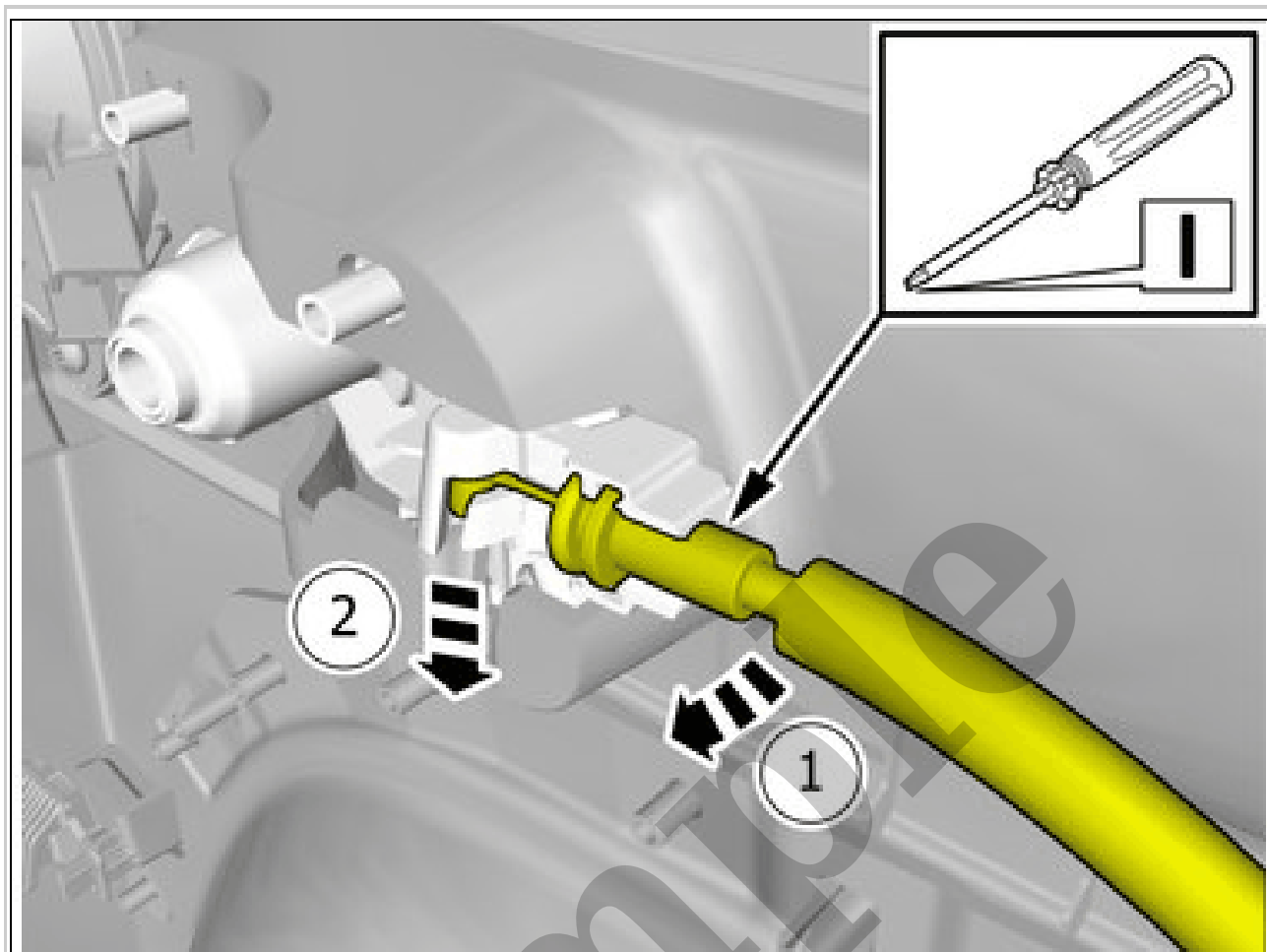
2016 VOLVO V90 Cross Country OEM Service and Repair Workshop Manual

[Go to manual page](#)



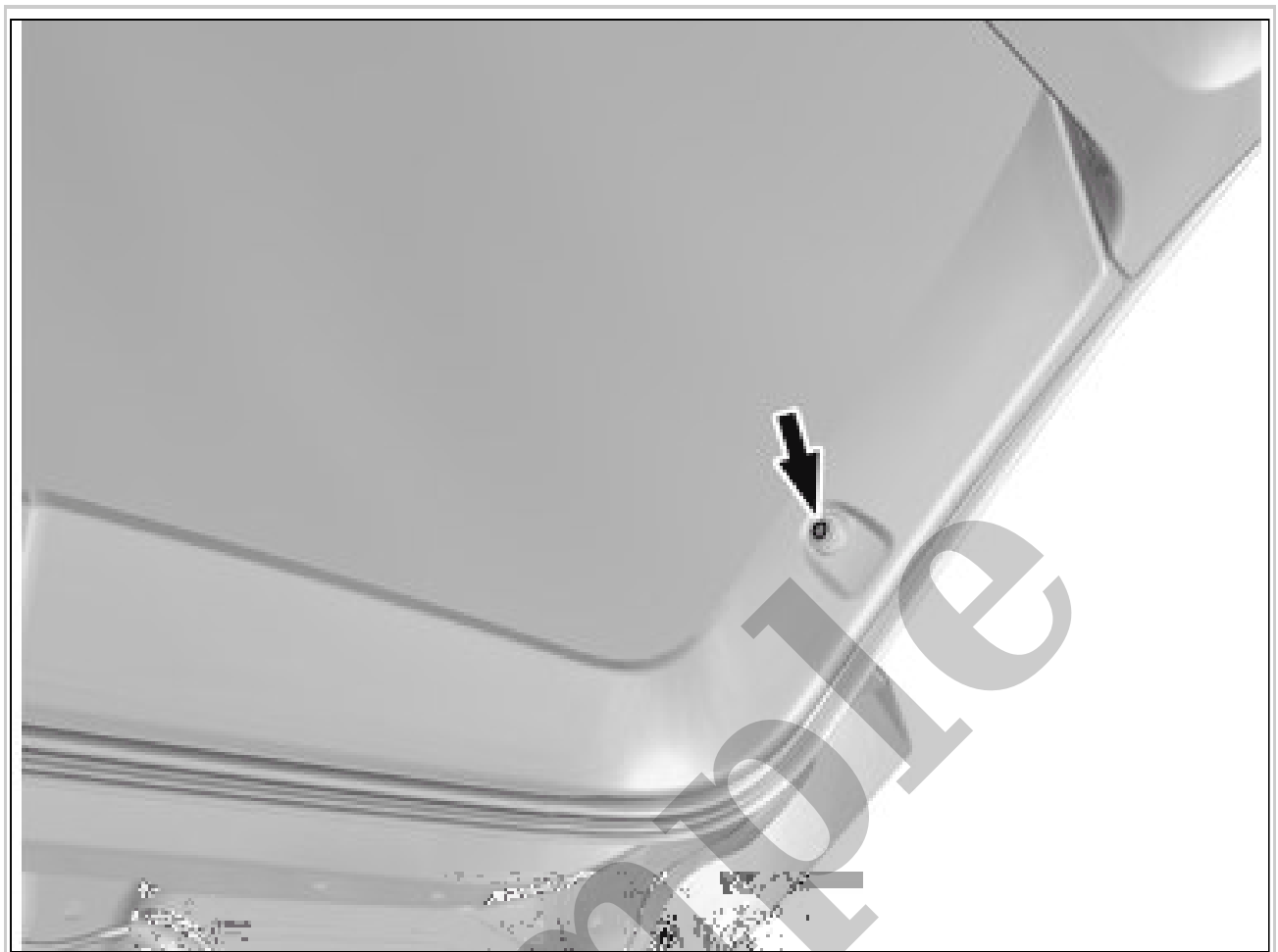
Courtesy of VOLVO CARS CORPORATION

Remove the screw.



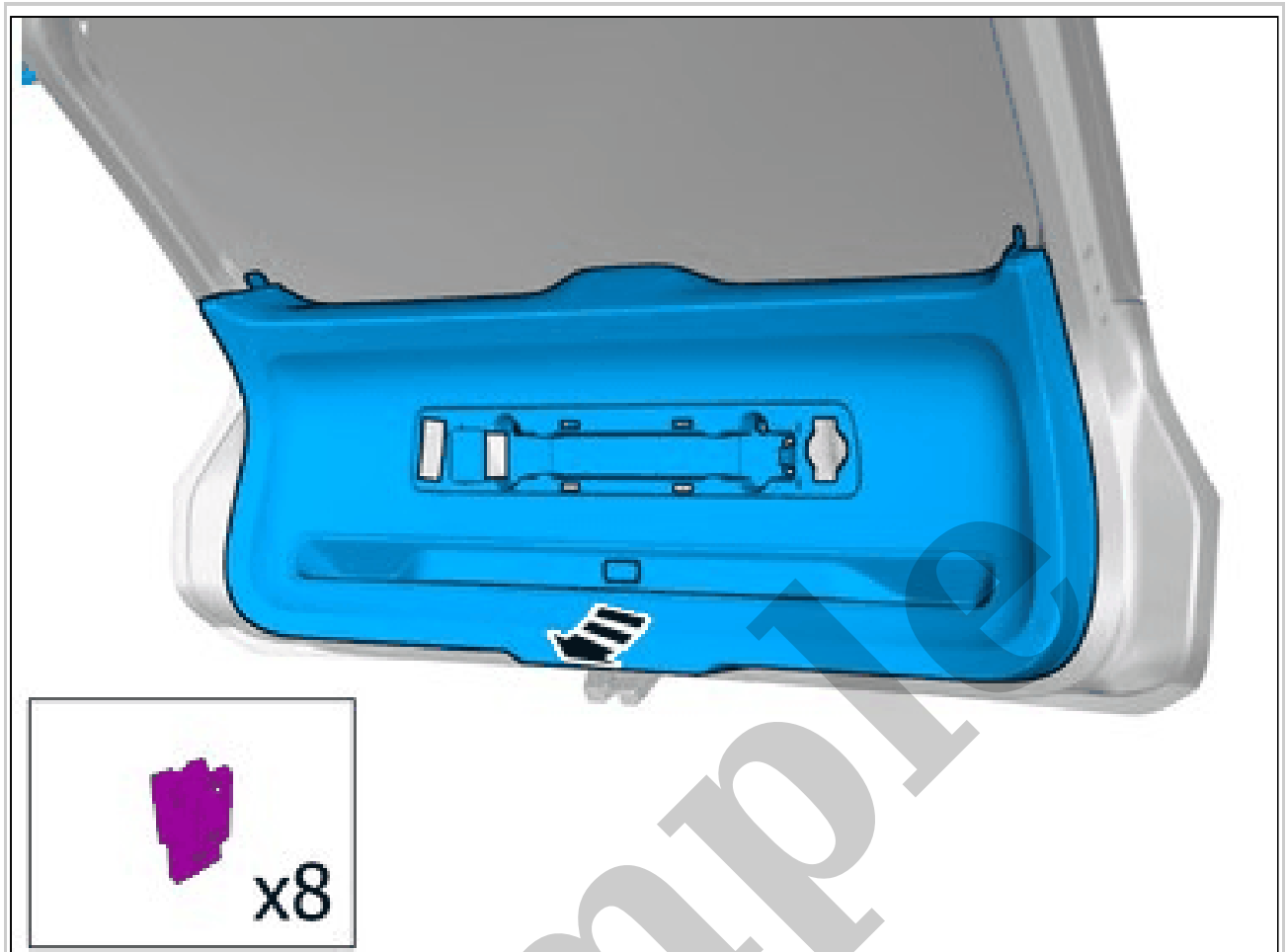
Courtesy of VOLVO CARS CORPORATION

TRANSFERRING COMPONENTS



Courtesy of VOLVO CARS CORPORATION

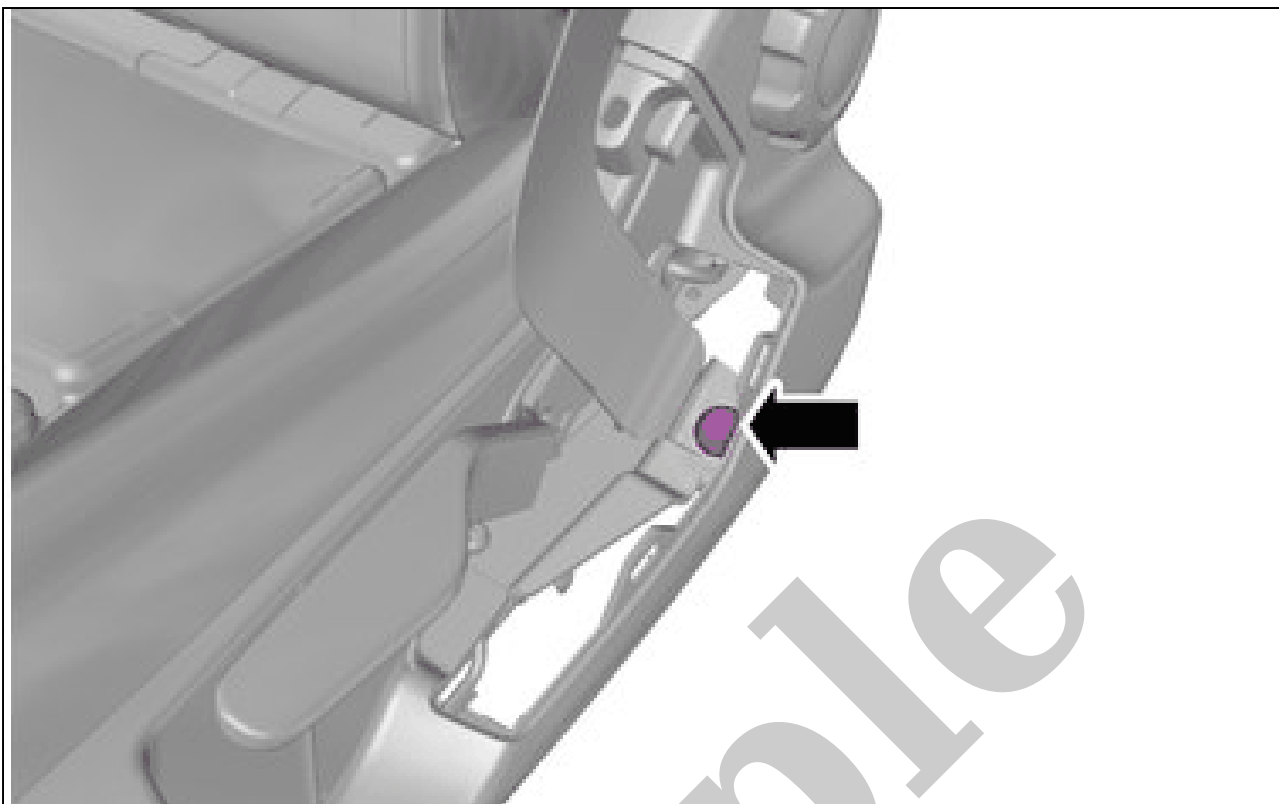
Remove the screw.
Repeat on the other side.



Courtesy of VOLVO CARS CORPORATION

Remove the marked part.

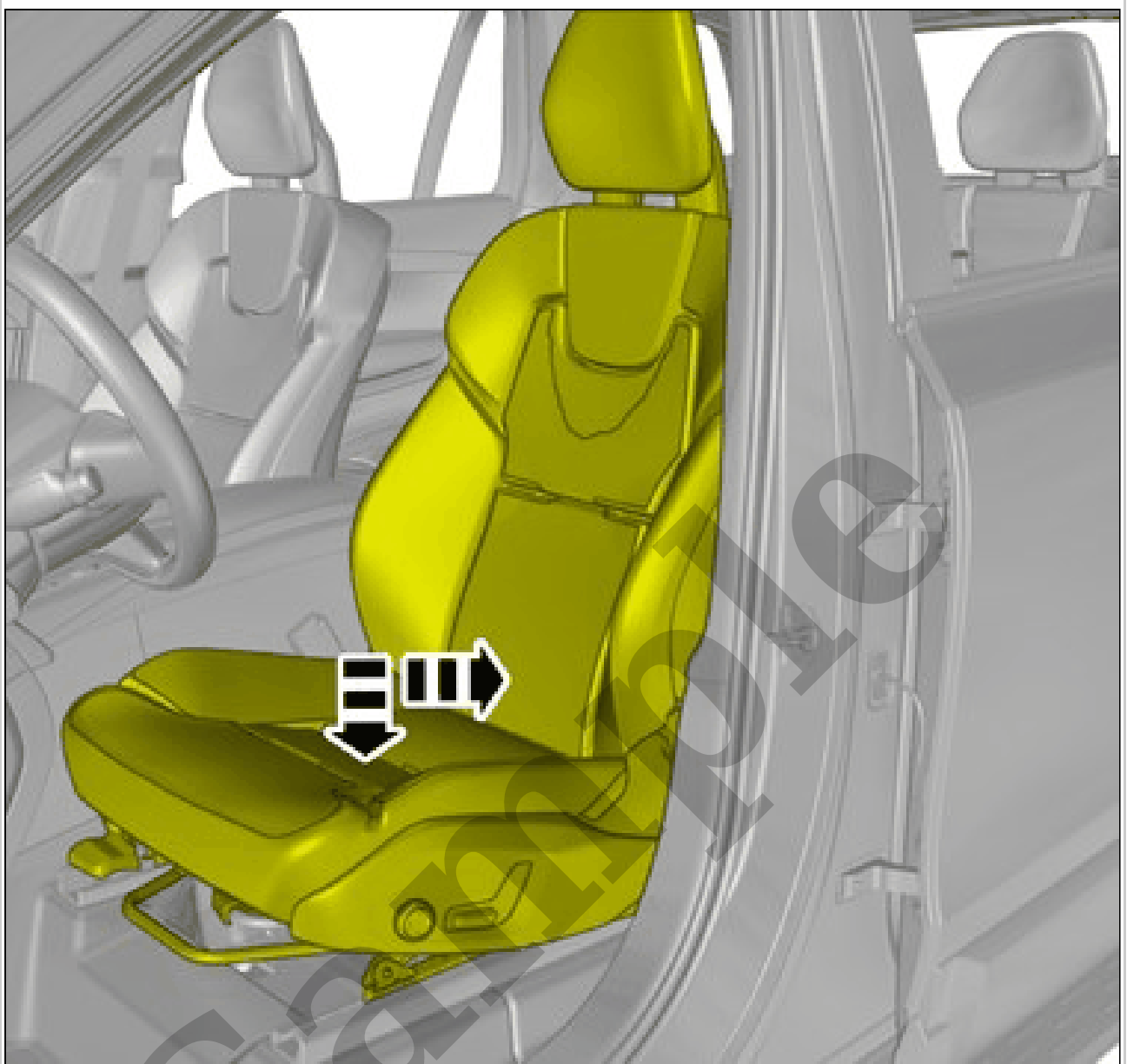
Use: Interior trim remover



Courtesy of VOLVO CARS CORPORATION

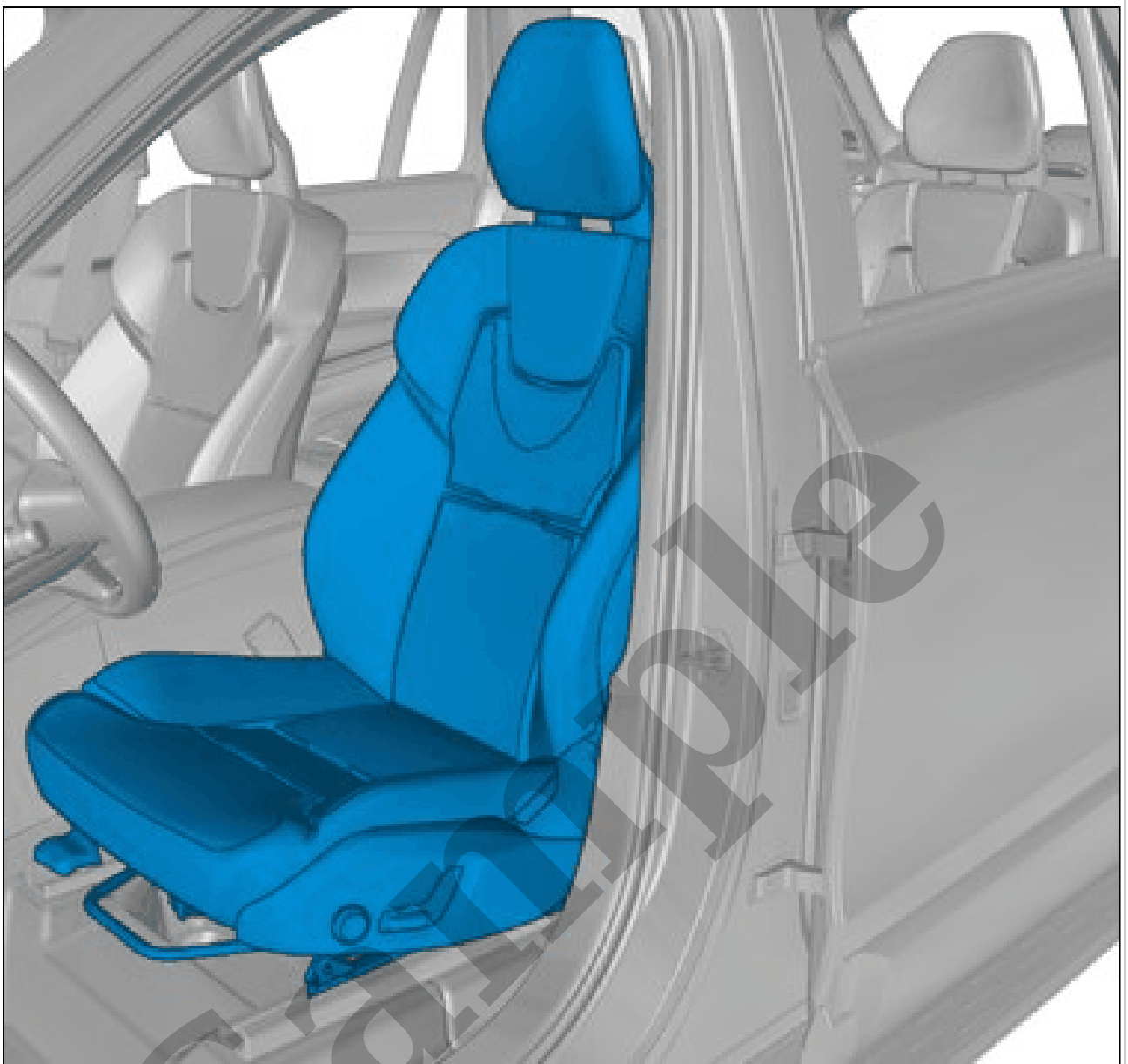
Remove the screw.

Torque: Seat belt bracket, to Seat, 40Nm



Courtesy of VOLVO CARS CORPORATION

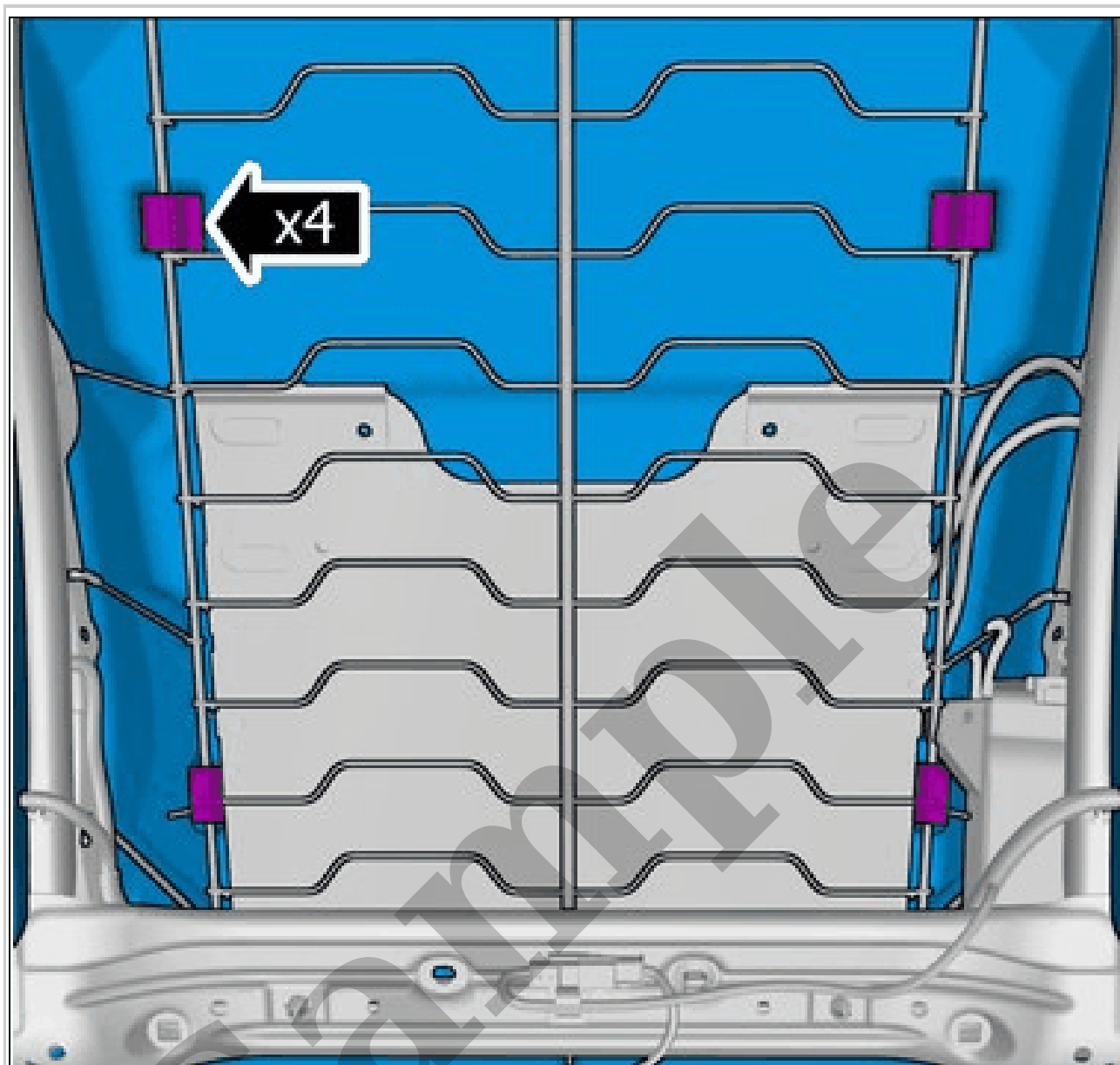
Perform battery disconnecting and connecting. Refer to: BATTERY DISCONNECTING AND CONNECTING



Courtesy of VOLVO CARS CORPORATION

Reinstall the front seat.

HINT: This step may require the aid of another technician.



Courtesy of VOLVO CARS CORPORATION

Remove the fasteners.
Special Tool: 115 8962 CRIMP PLIERS



Courtesy of VOLVO CARS CORPORATION

Remove the upholstery.