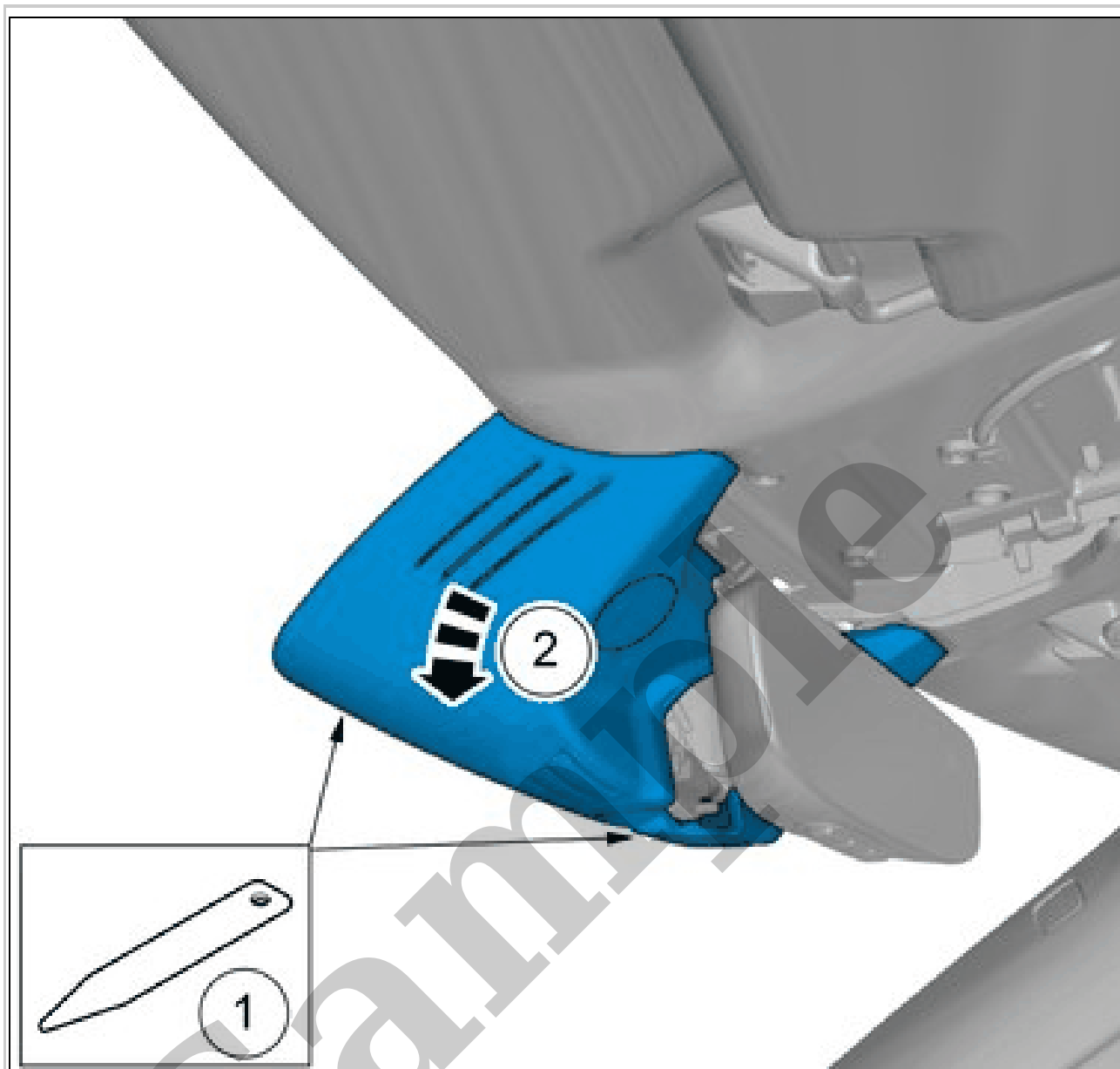


Your Ultimate Source for OEM Repair Manuals

FactoryManuals.net is a great resource for anyone who wants to save money on repairs by doing their own work. The manuals provide detailed instructions and diagrams that make it easy to understand how to fix a vehicle.

2016 Volvo S80 Service and Repair Manual

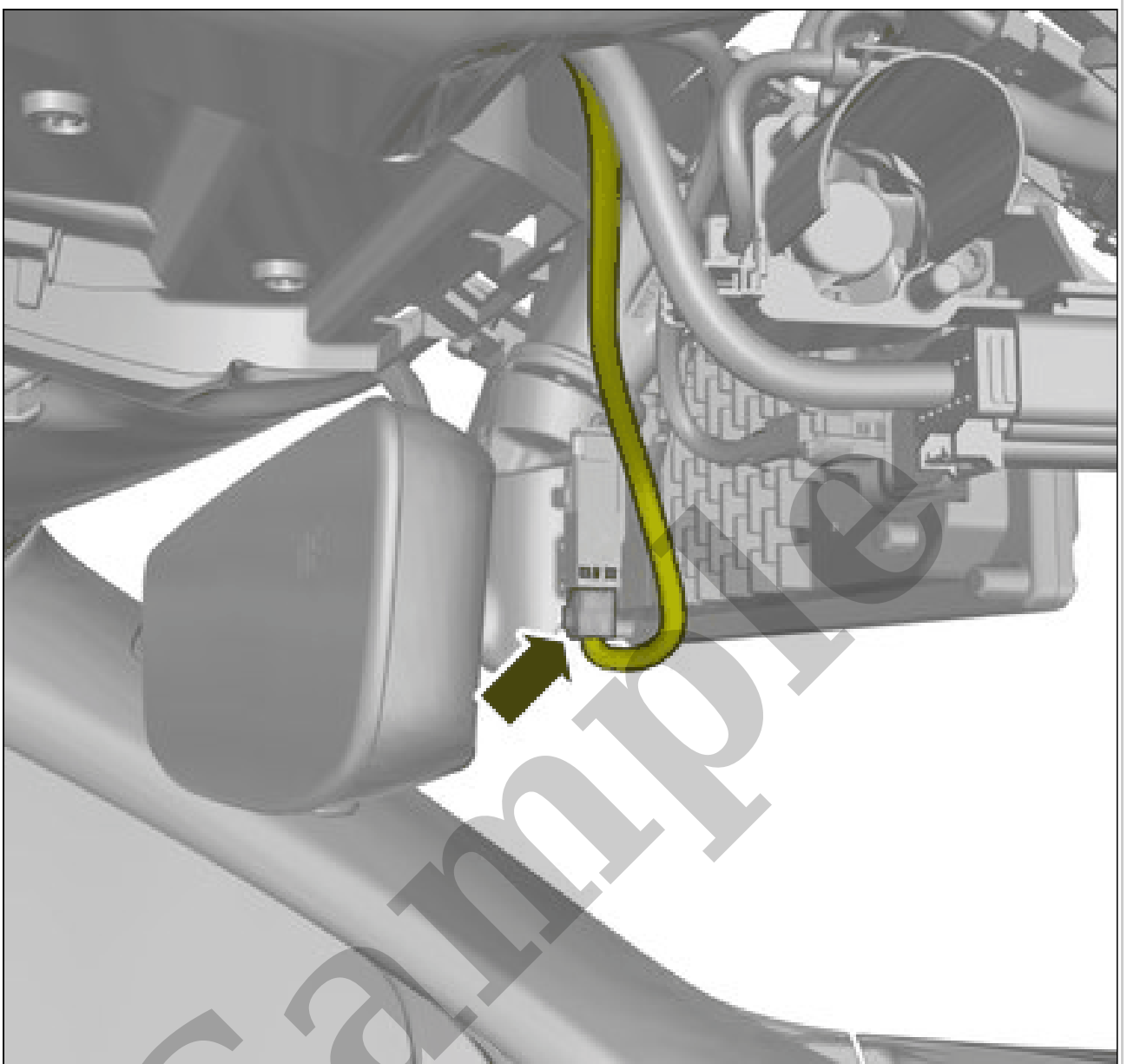
[Go to manual page](#)



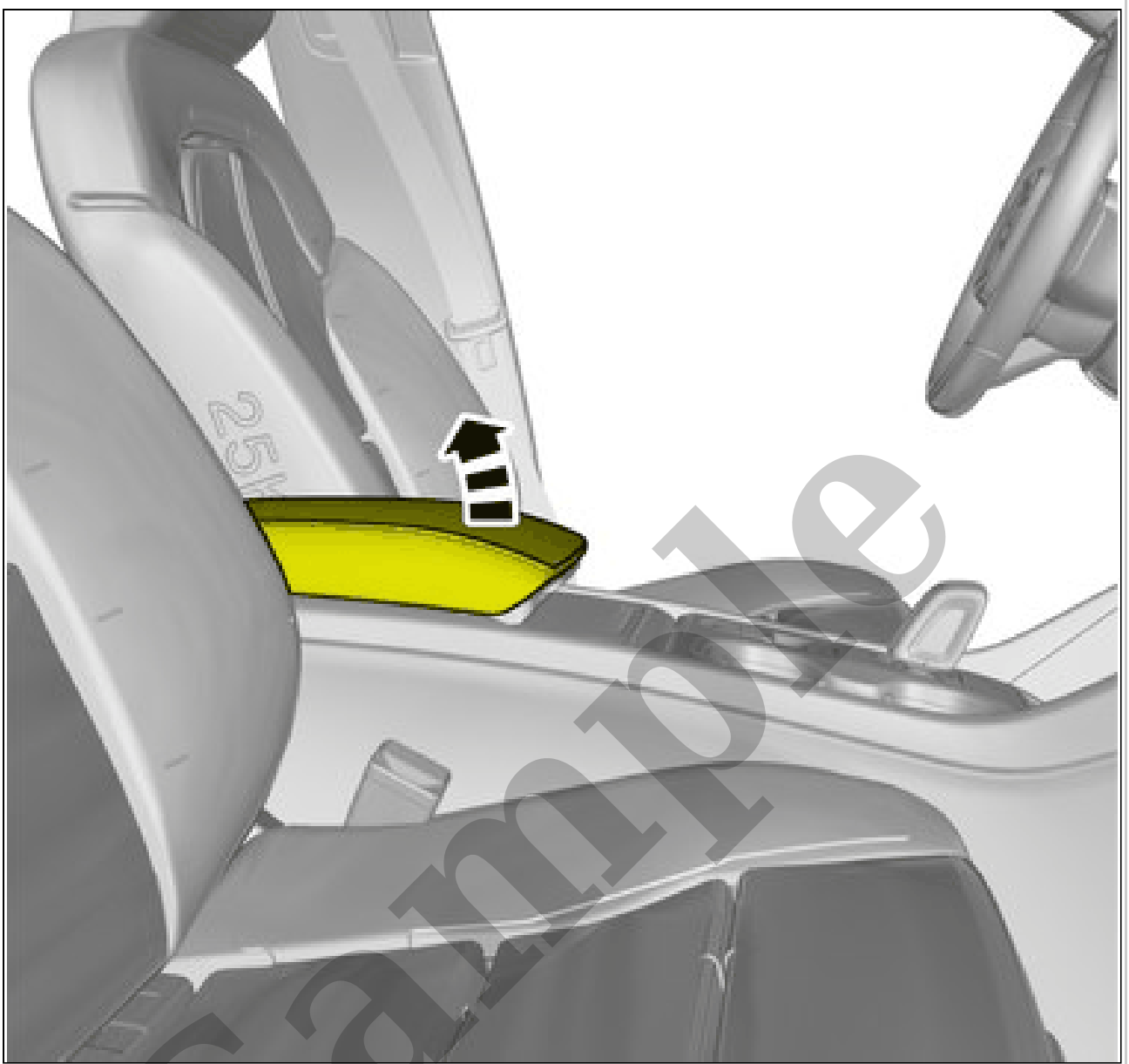
Courtesy of VOLVO CARS CORPORATION

Remove the marked part.

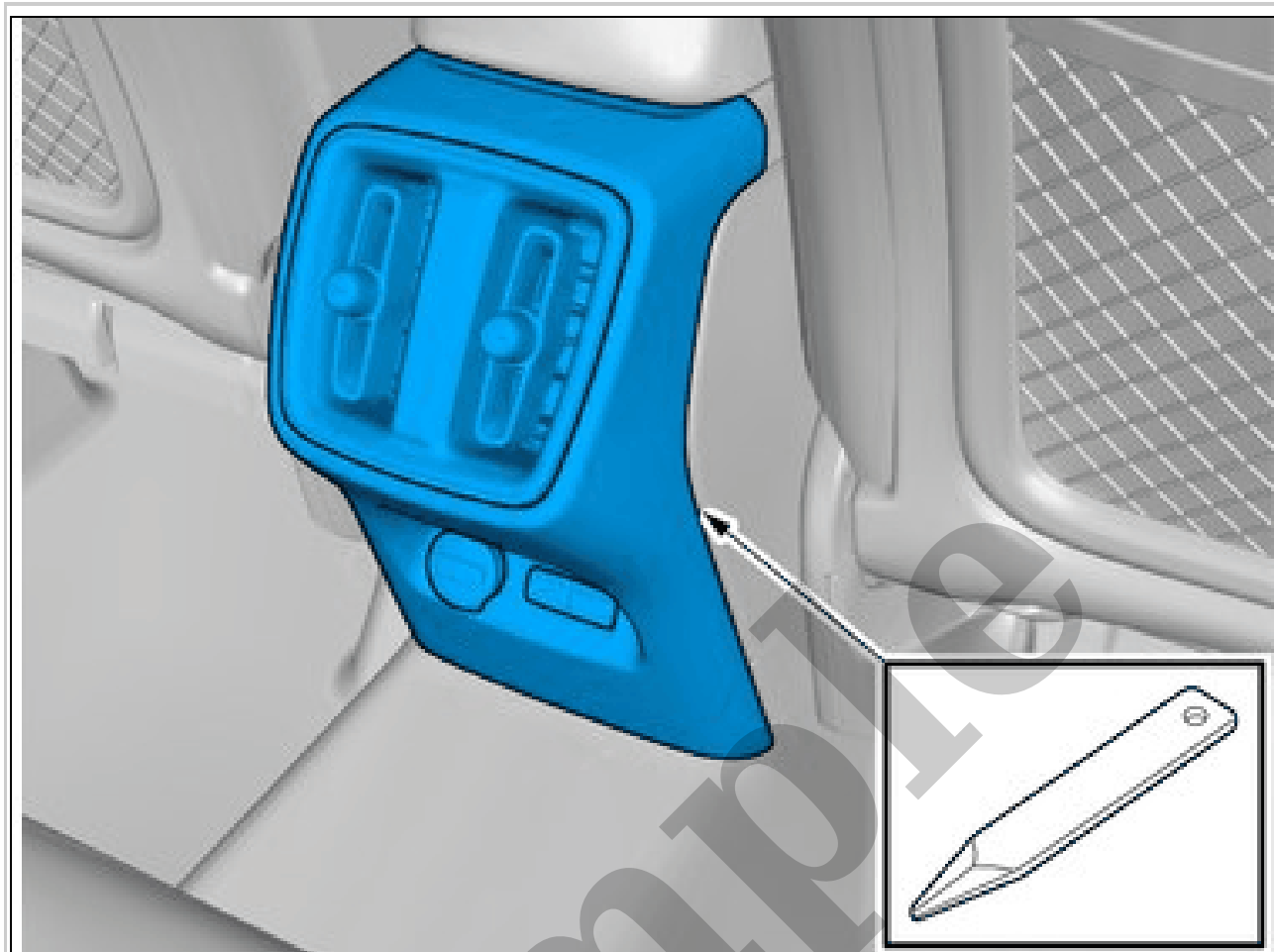
CAUTION: *The number of connectors, cables and cable ties may vary depending on the vehicle specification.*



Courtesy of VOLVO CARS CORPORATION



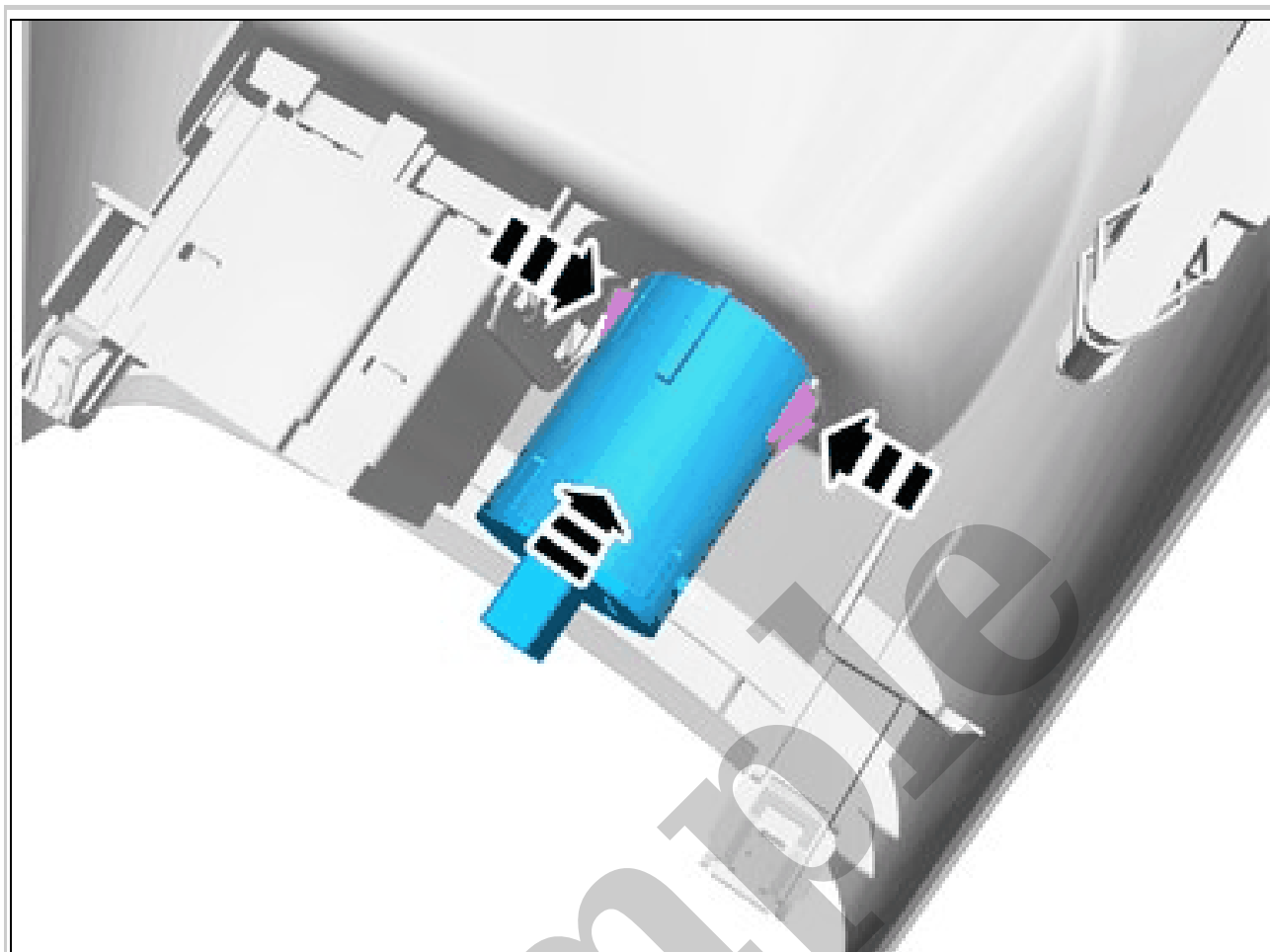
Courtesy of VOLVO CARS CORPORATION



Courtesy of VOLVO CARS CORPORATION

Loosen the marked detail.

Use: Interior trim remover



Courtesy of VOLVO CARS CORPORATION

Depress the locking devices.
Remove the marked part.

INSTALLATION

To install, reverse the removal procedure.

SUN VISOR > SUN VISOR [2018-2022] > REMOVAL

NOTE: *Removal steps in this procedure may contain installation details.*

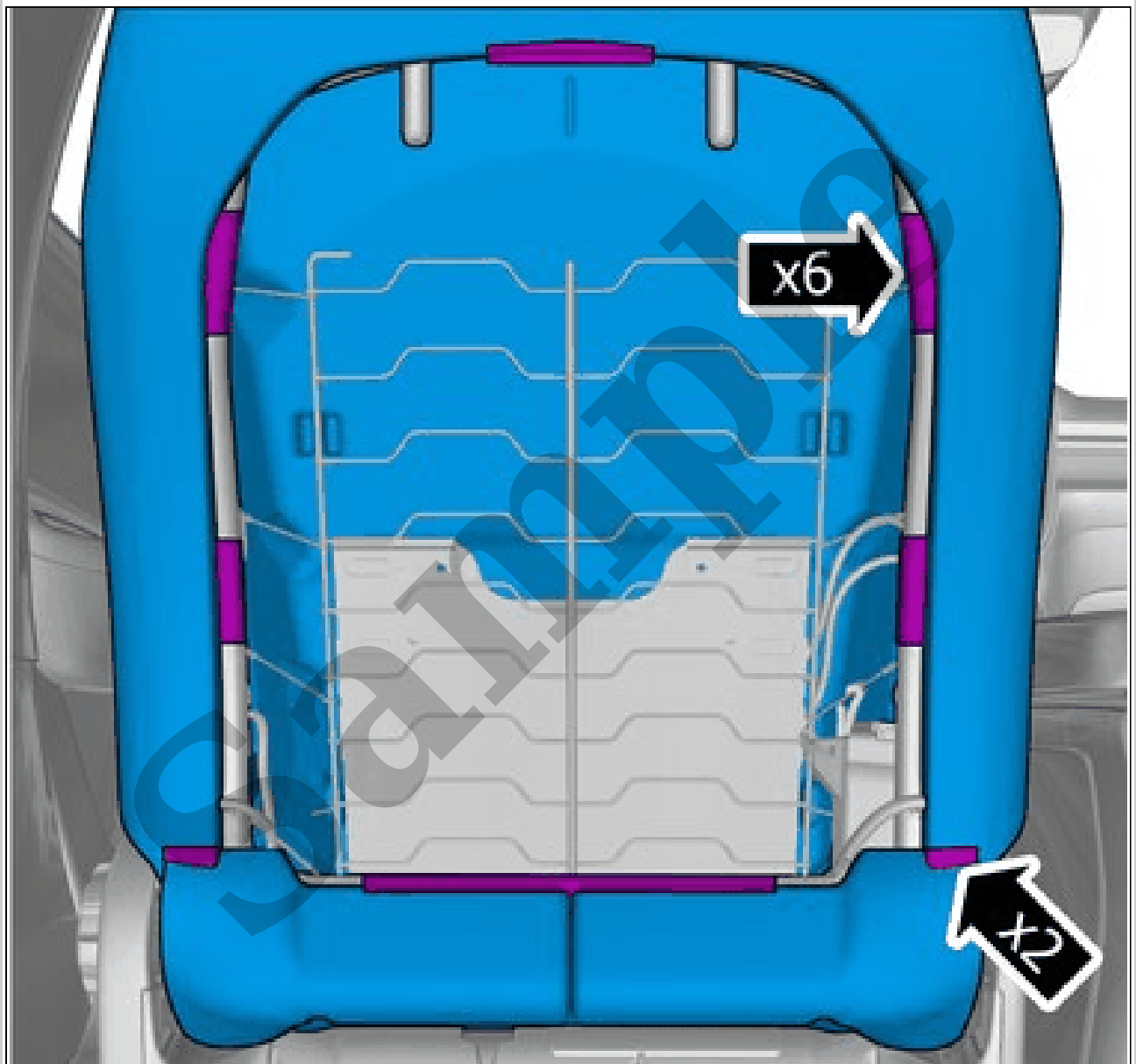


Courtesy of VOLVO CARS CORPORATION

NOTE: *The graphic shows the back of the component before removal.*

WARNING: The supplemental restraint system (SRS) is active for a certain length of time after the power supply has been disconnected. Wait for a minimum of 30 seconds before disconnecting or removing any SRS components.

Remove back rest, rear panel. Refer to: BACK REST REAR PANEL



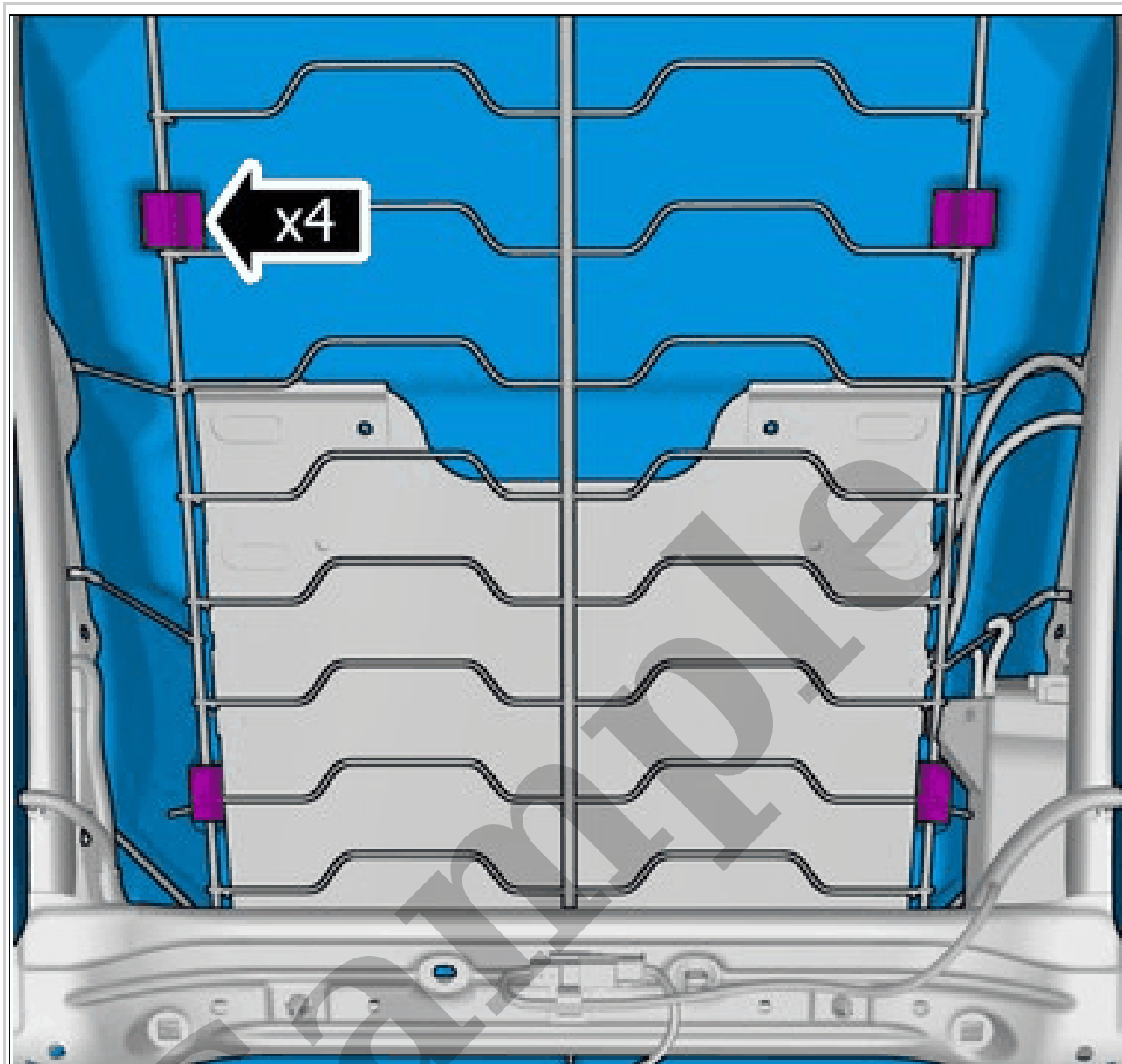
Courtesy of VOLVO CARS CORPORATION

Release the catches.



Courtesy of VOLVO CARS CORPORATION

Torque: Air bag to seat (SIPS), 7Nm
Remove the nuts.



Courtesy of VOLVO CARS CORPORATION

Special Tool: 115 8962 CRIMP PLIERS
Remove the fasteners.