

Your Ultimate Source for OEM Repair Manuals

FactoryManuals.net is a great resource for anyone who wants to save money on repairs by doing their own work. The manuals provide detailed instructions and diagrams that make it easy to understand how to fix a vehicle.

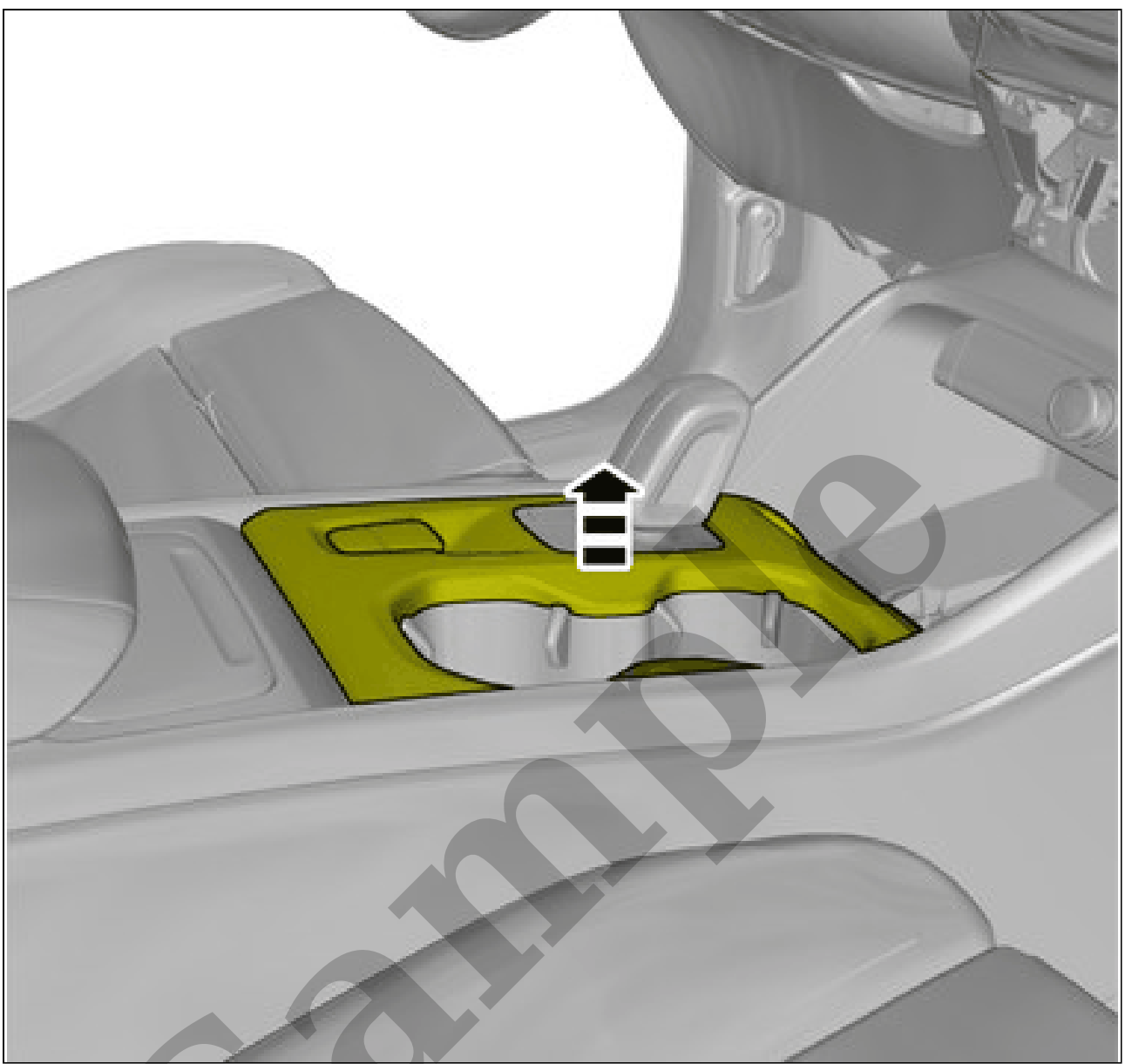
2016 Volvo S60 Manual - Service & Repair Guide

[Go to manual page](#)



Courtesy of VOLVO CARS CORPORATION

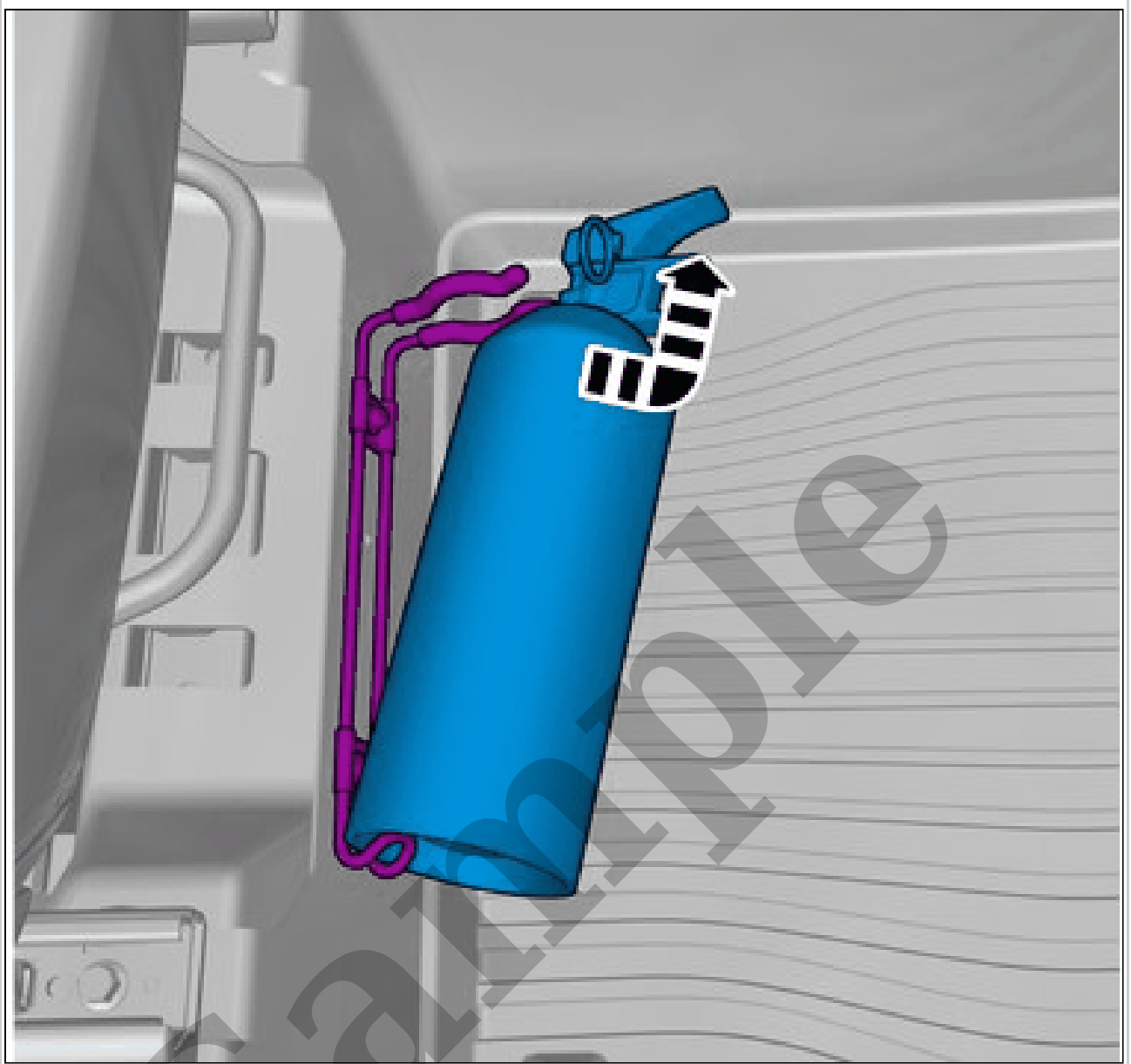
NOTE: The graphic shows the back of the component before removal.



Courtesy of VOLVO CARS CORPORATION

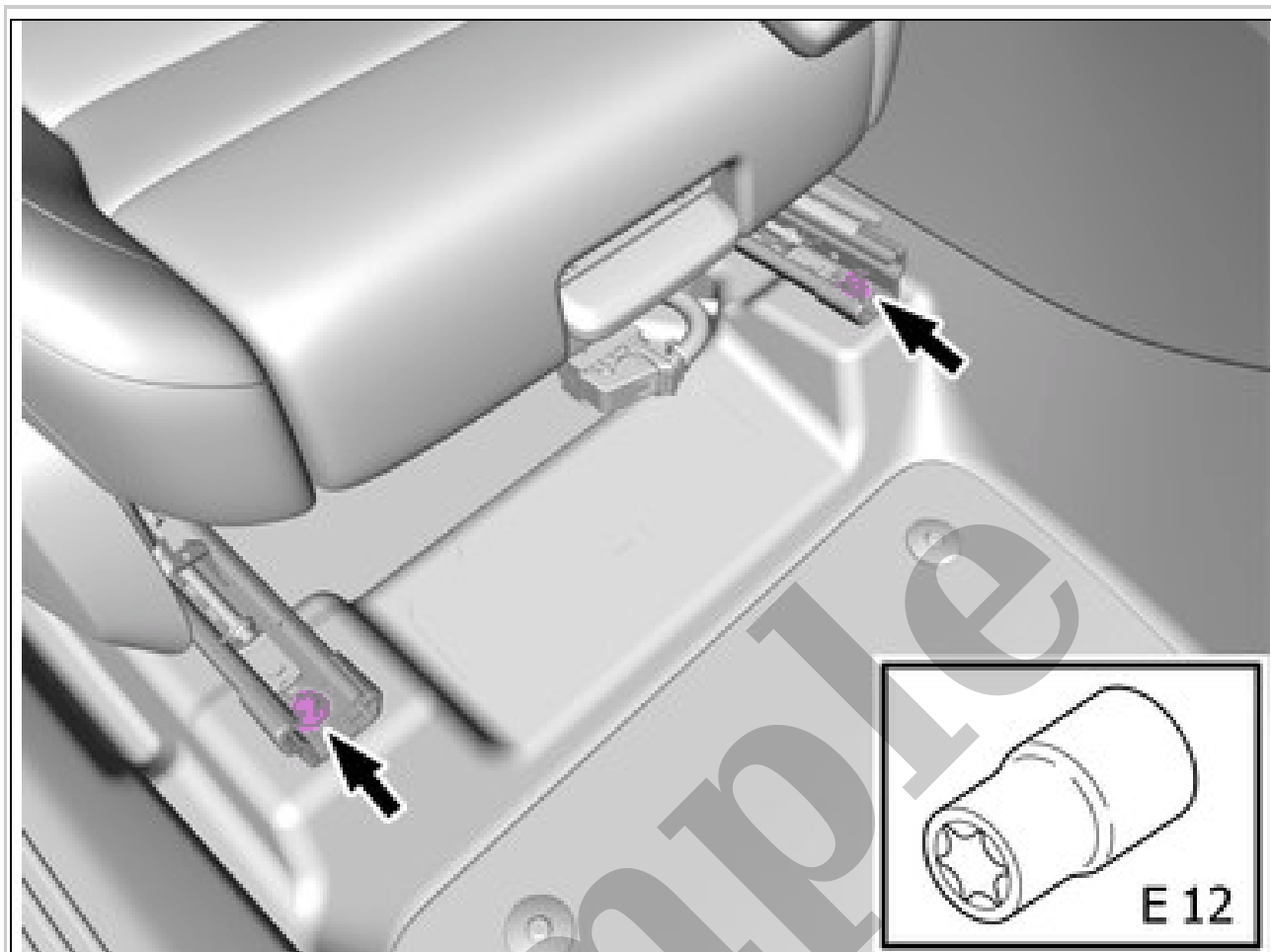
Loosen the marked detail.

Use: Interior trim remover



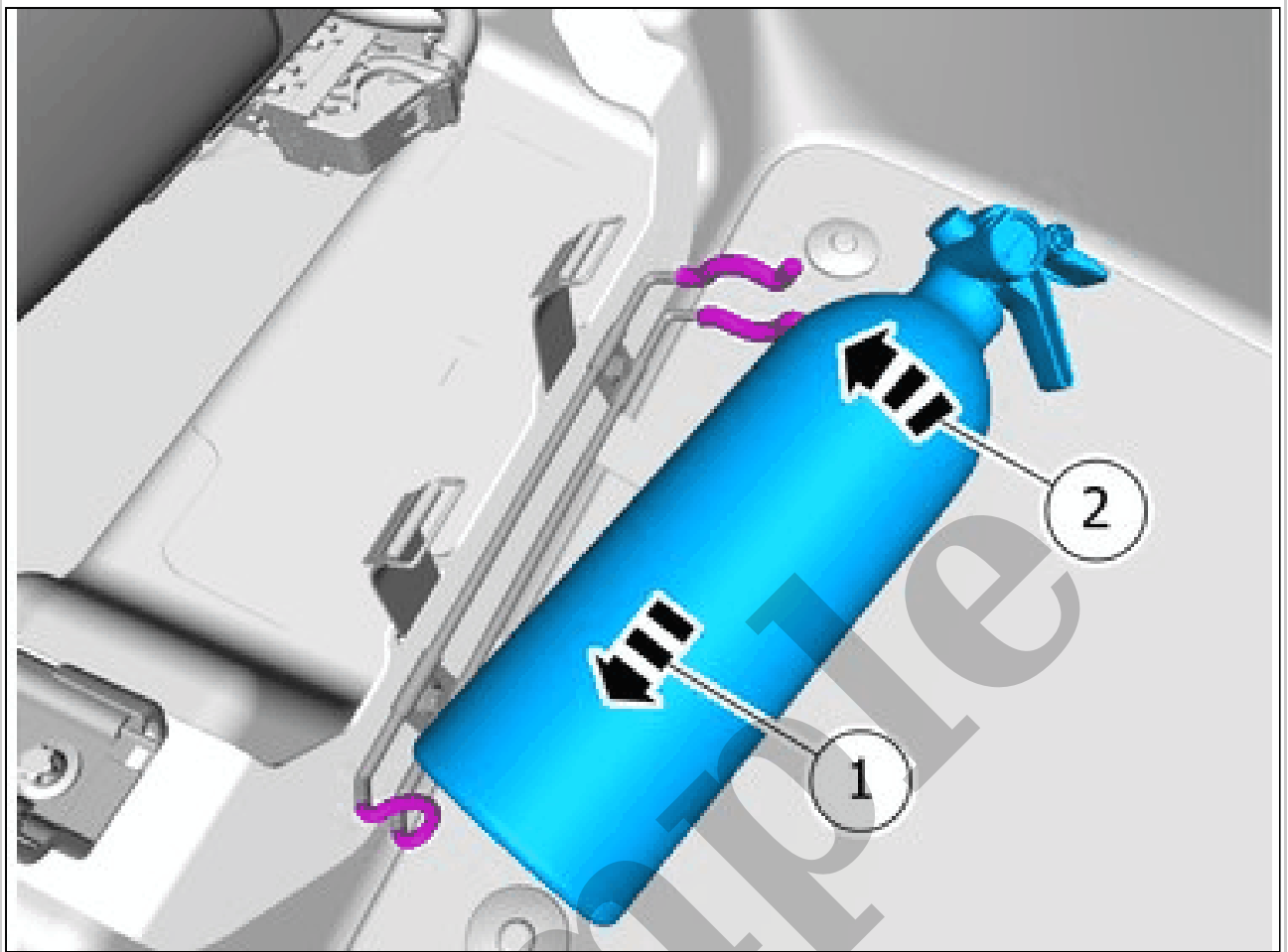
Courtesy of VOLVO CARS CORPORATION

Remove the marked part.



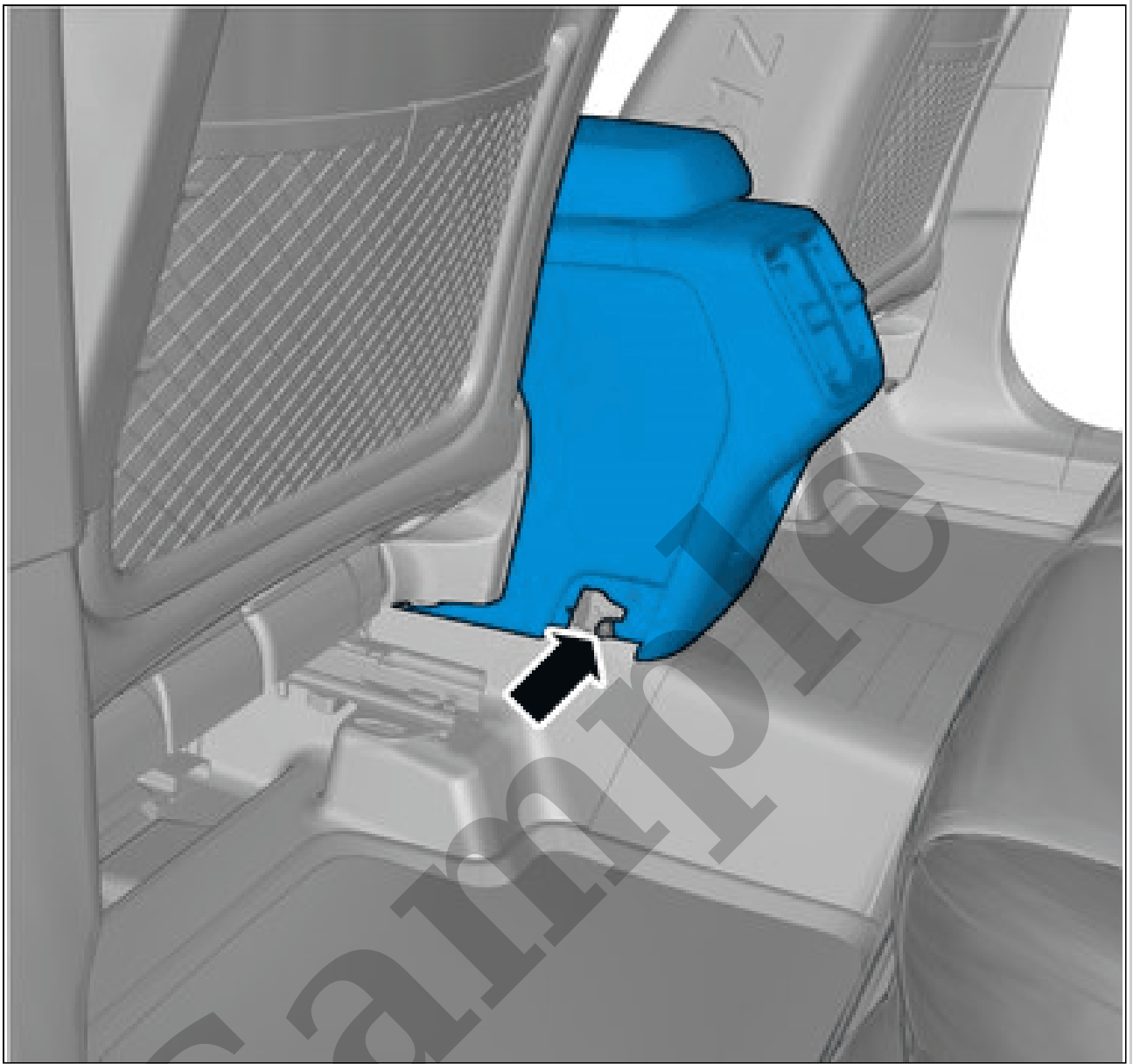
Courtesy of VOLVO CARS CORPORATION

Remove the screws.



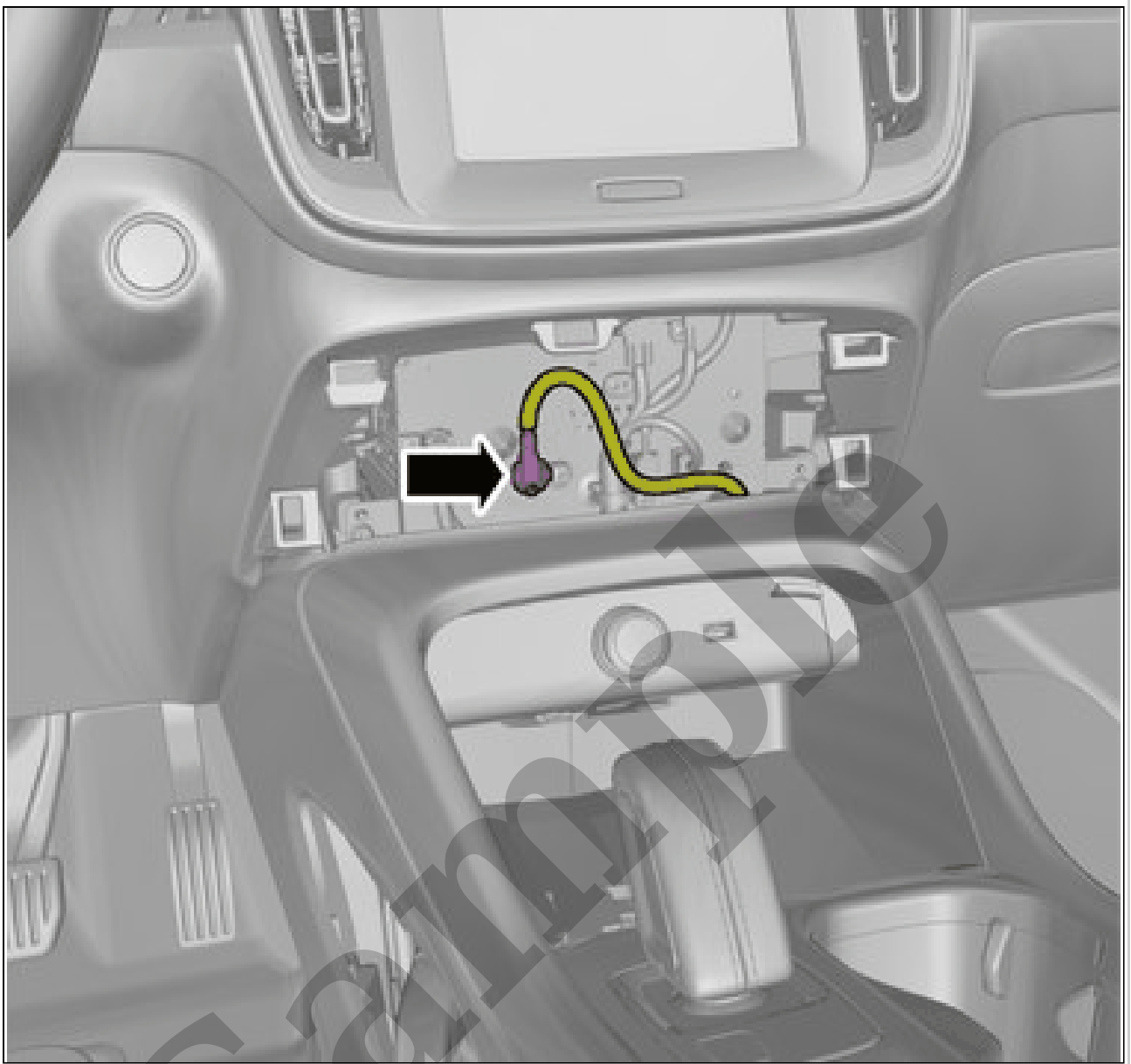
Courtesy of VOLVO CARS CORPORATION

Install the marked component.



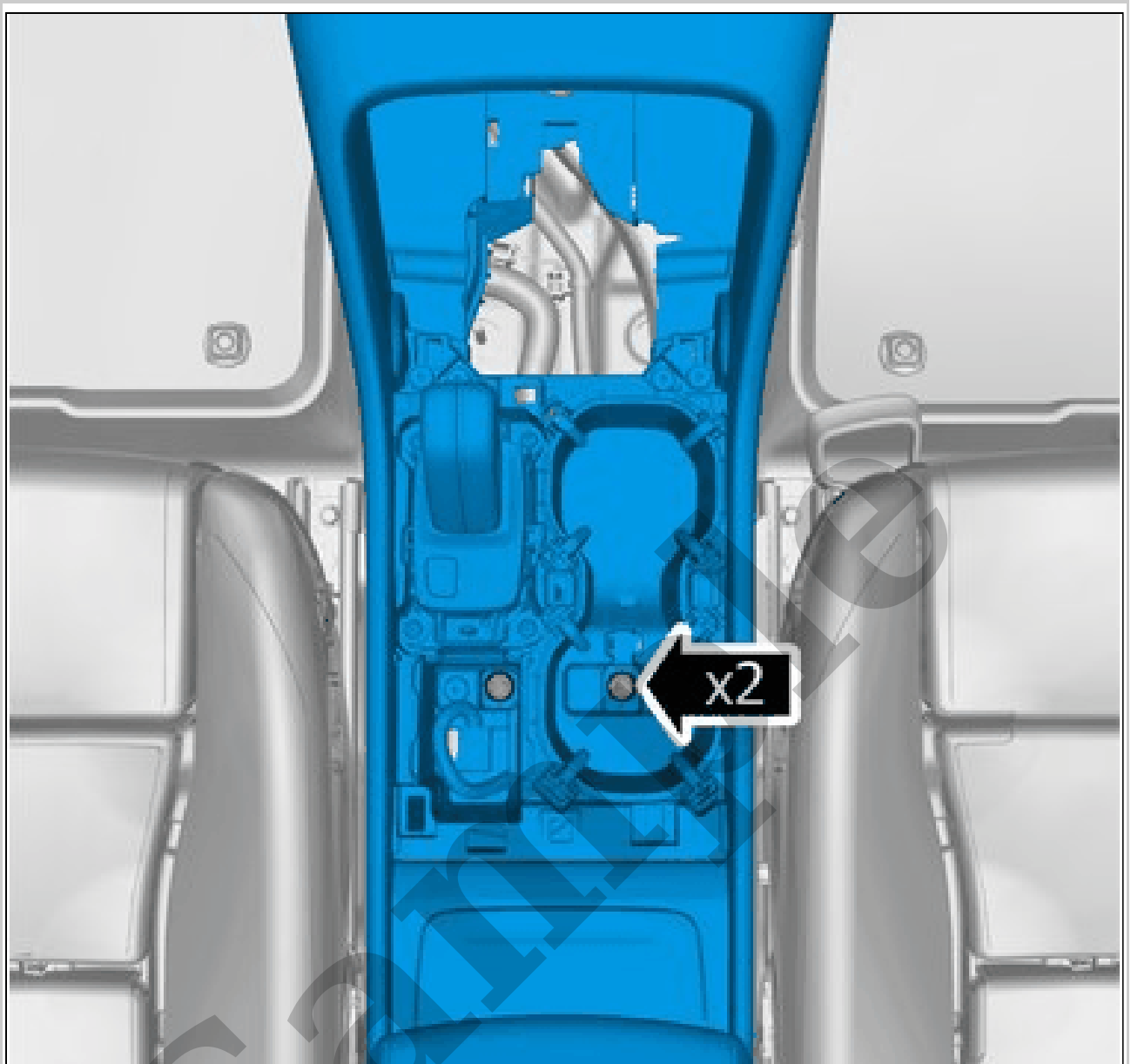
Courtesy of VOLVO CARS CORPORATION

Remove the screw.
On both sides.
Torque: M6, 10Nm



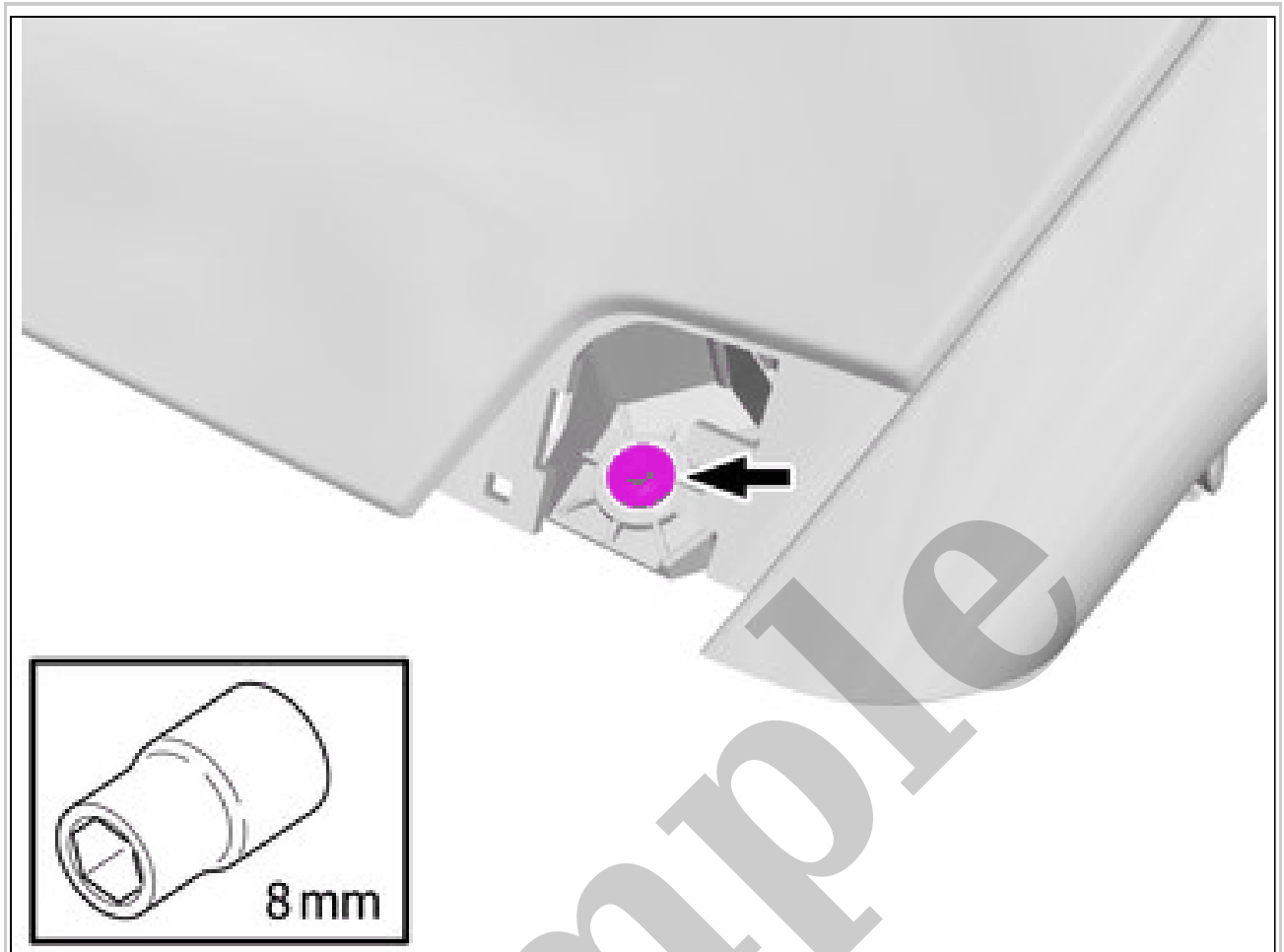
Courtesy of VOLVO CARS CORPORATION

Disconnect the connector.



Courtesy of VOLVO CARS CORPORATION

Remove the screws.



Courtesy of VOLVO CARS CORPORATION

Remove the screw.
Repeat on the other side.
Torque: M6, 10Nm