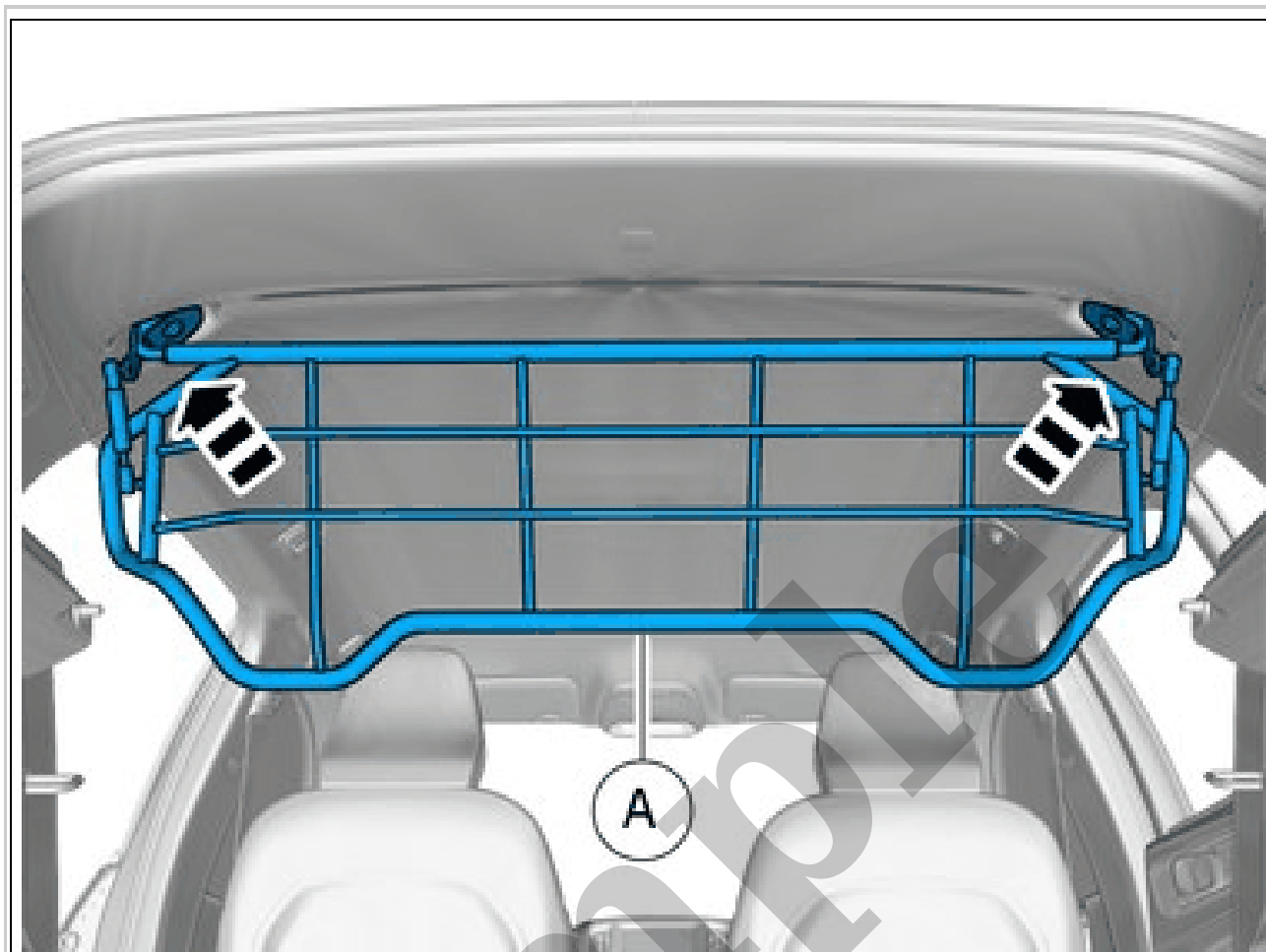


Your Ultimate Source for OEM Repair Manuals

FactoryManuals.net is a great resource for anyone who wants to save money on repairs by doing their own work. The manuals provide detailed instructions and diagrams that make it easy to understand how to fix a vehicle.

2016 Volvo S60 Cross Country Service and Repair Manual

[Go to manual page](#)

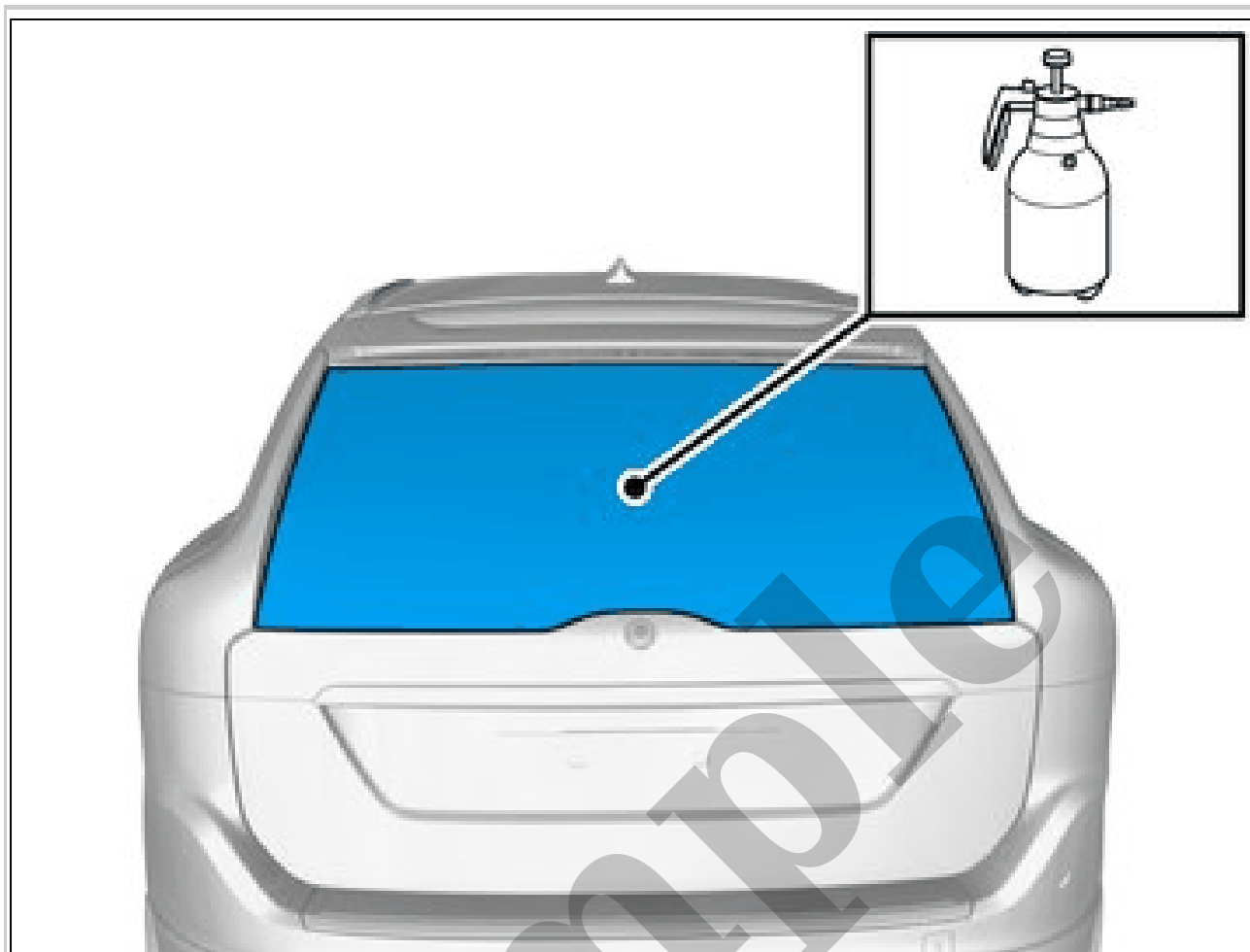


Courtesy of VOLVO CARS CORPORATION

Install component that comes with the accessory kit.

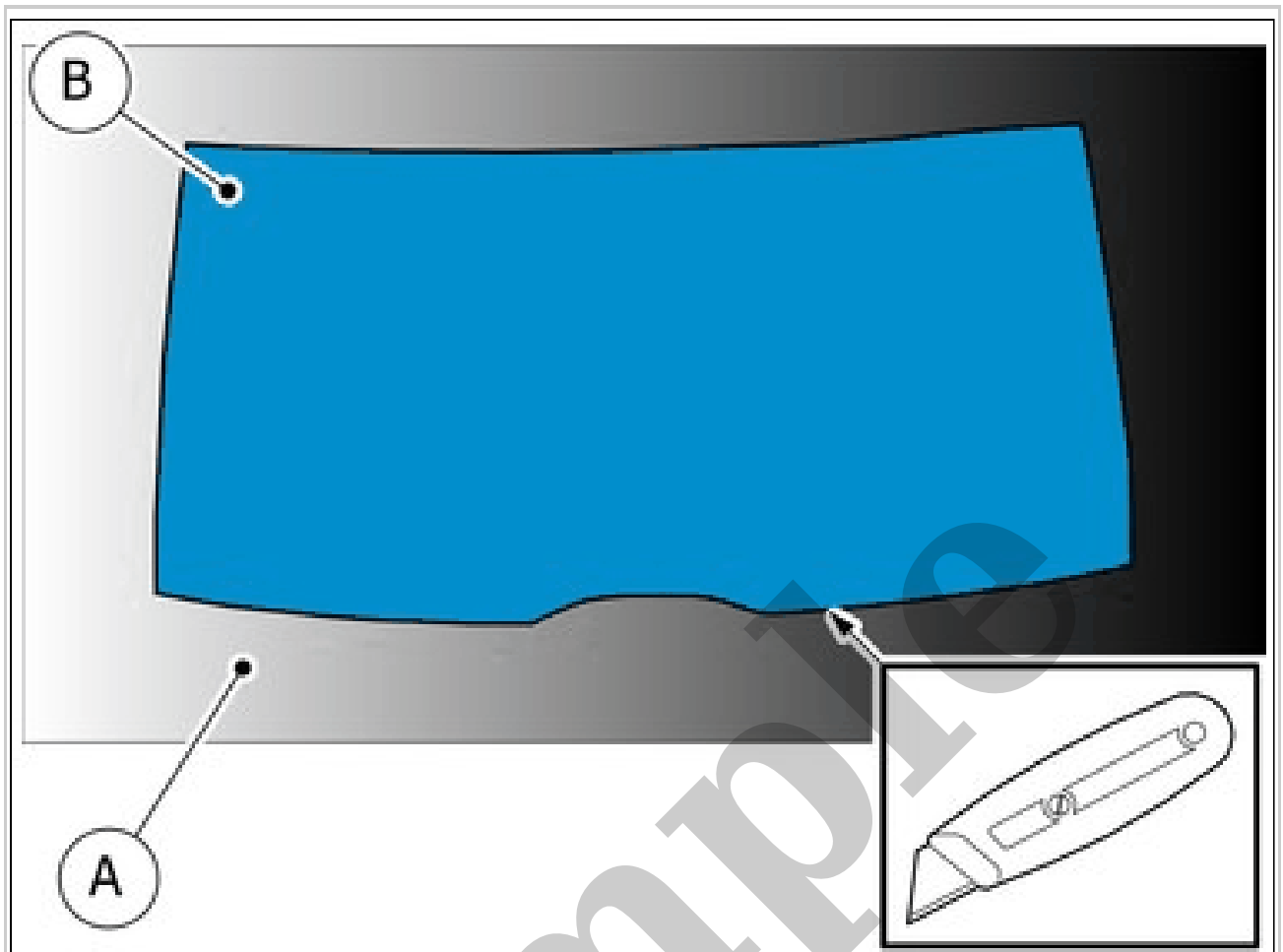


Courtesy of VOLVO CARS CORPORATION



Courtesy of VOLVO CARS CORPORATION

Use: Application fluid

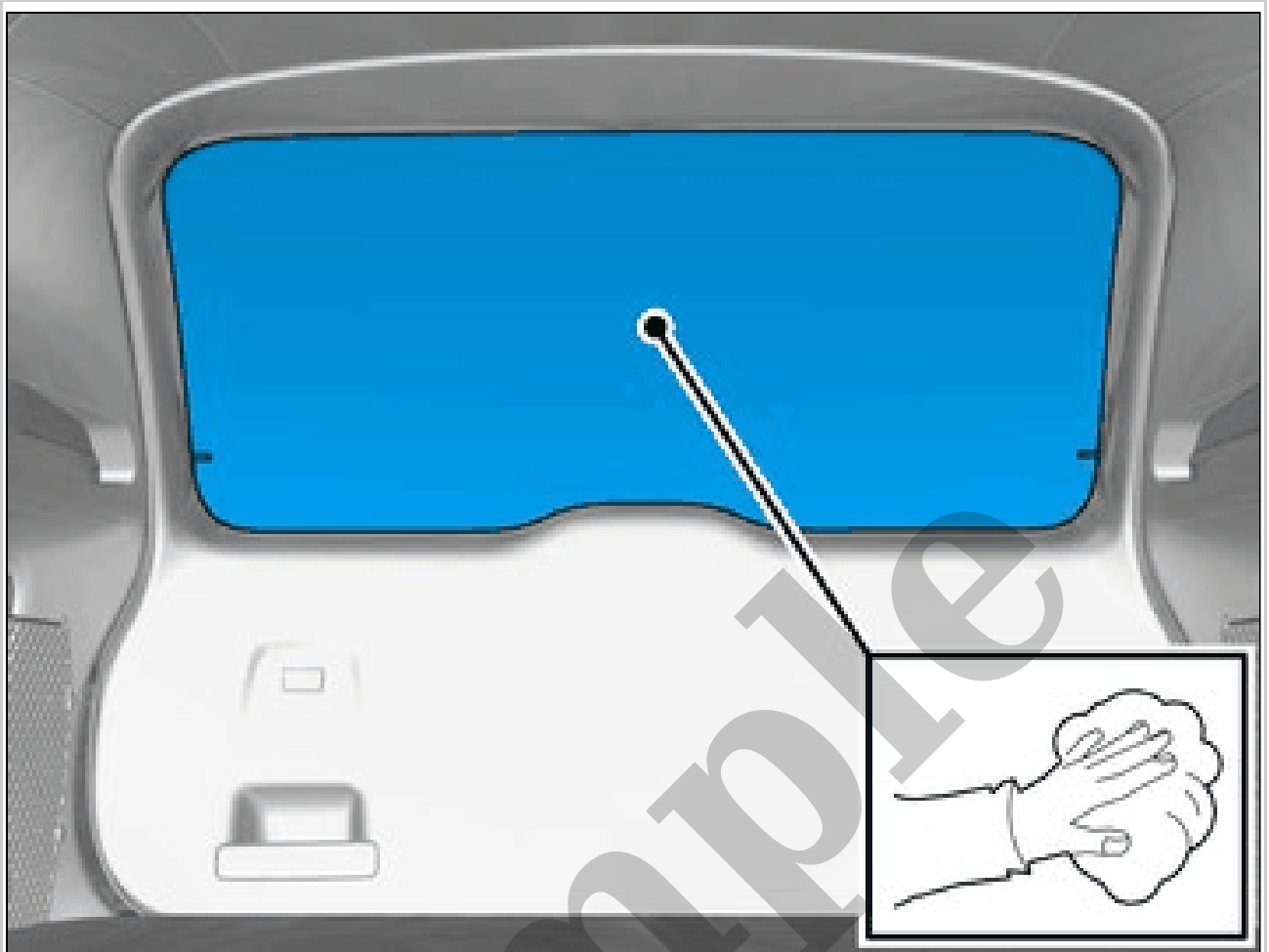


Courtesy of VOLVO CARS CORPORATION

NOTE: *Make sure that the template does not move out of position.*

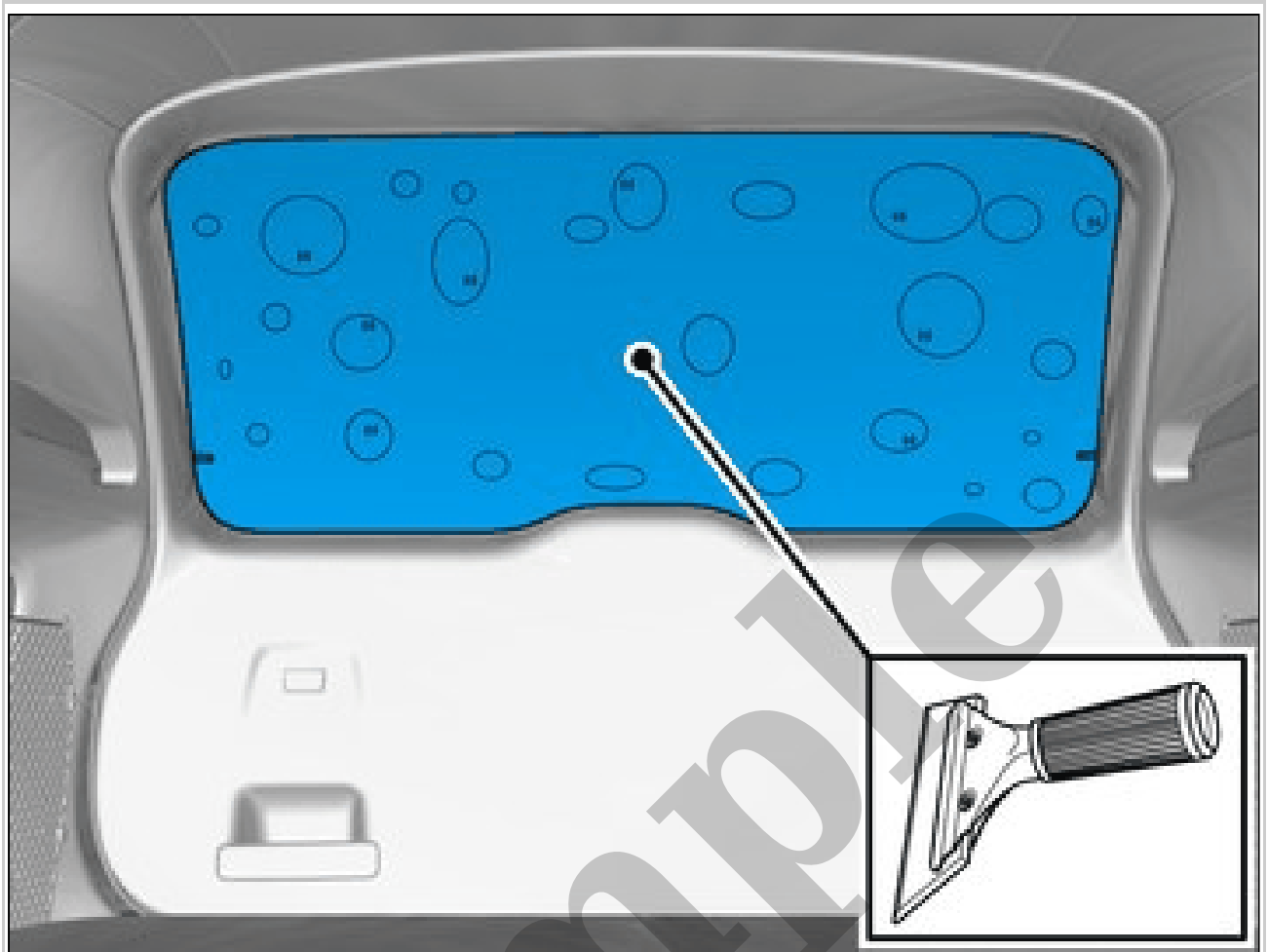
Use the template in the installation instructions.
Cut out following the template.

CURVED WINDOW GLASS



Courtesy of VOLVO CARS CORPORATION

Clean the surfaces.



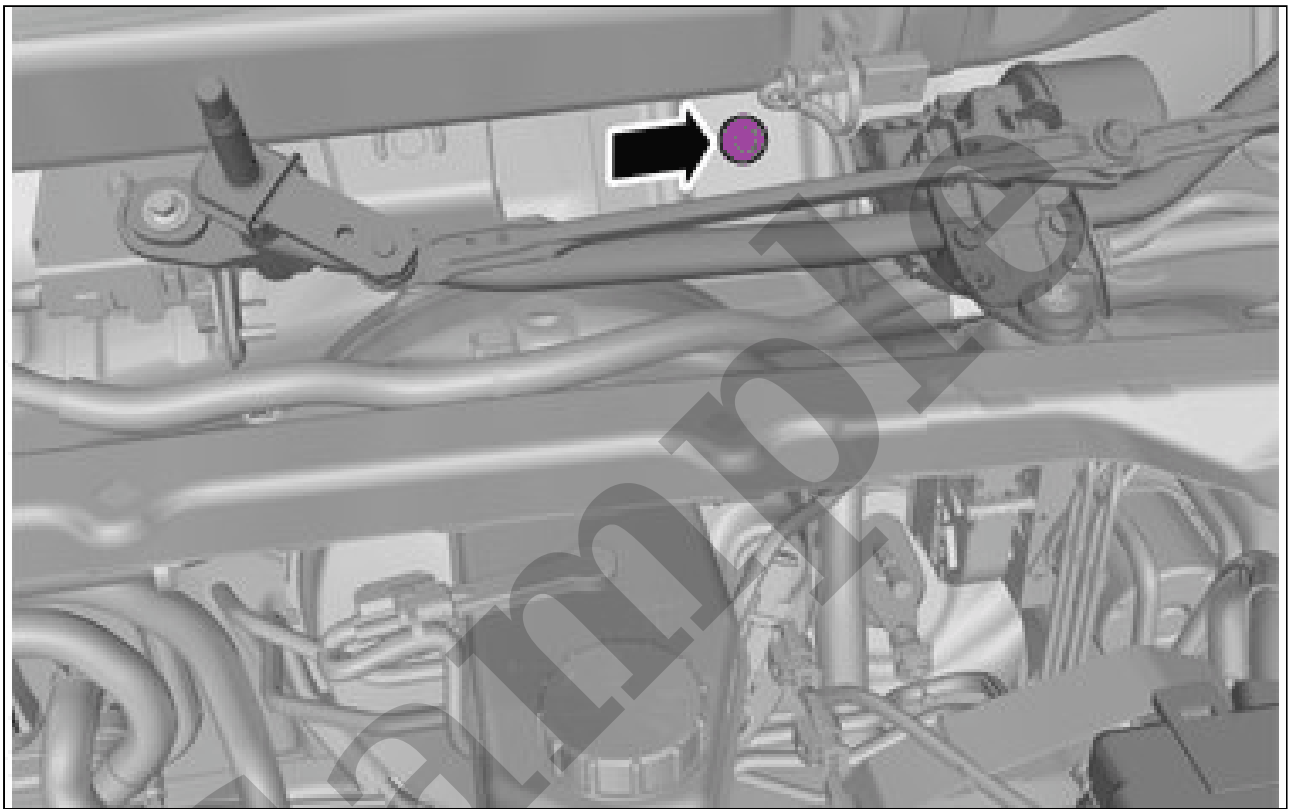
Courtesy of VOLVO CARS CORPORATION

Adjust the film into correct position on the window glass.

CROSS MEMBER, DASH BOARD > CROSS MEMBER, DASH BOARD [2018-2022] > REMOVAL

NOTE: Removal steps in this procedure may contain installation details.

Remove the plenum cover. Refer to: PLENUM COVER

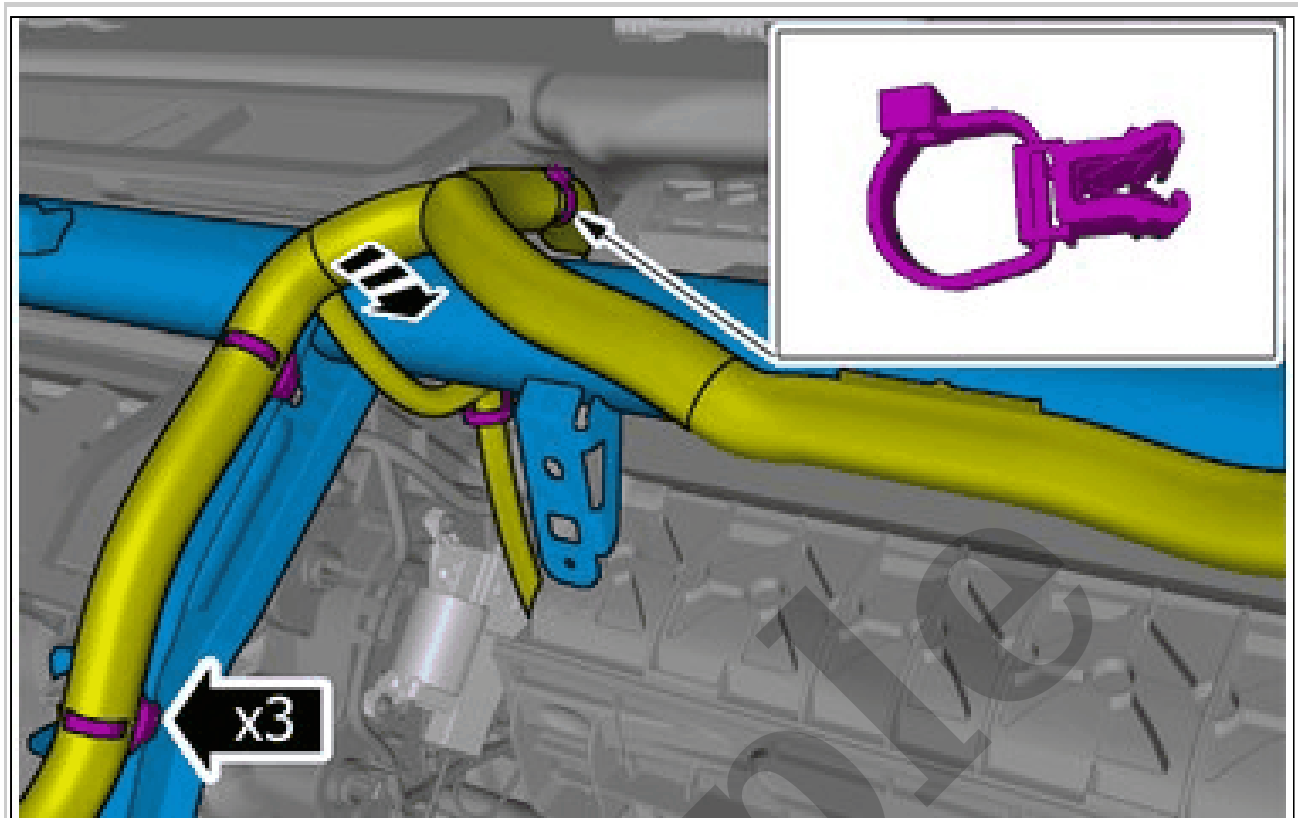


Courtesy of VOLVO CARS CORPORATION

Remove the screw.

Torque: M8, 24Nm

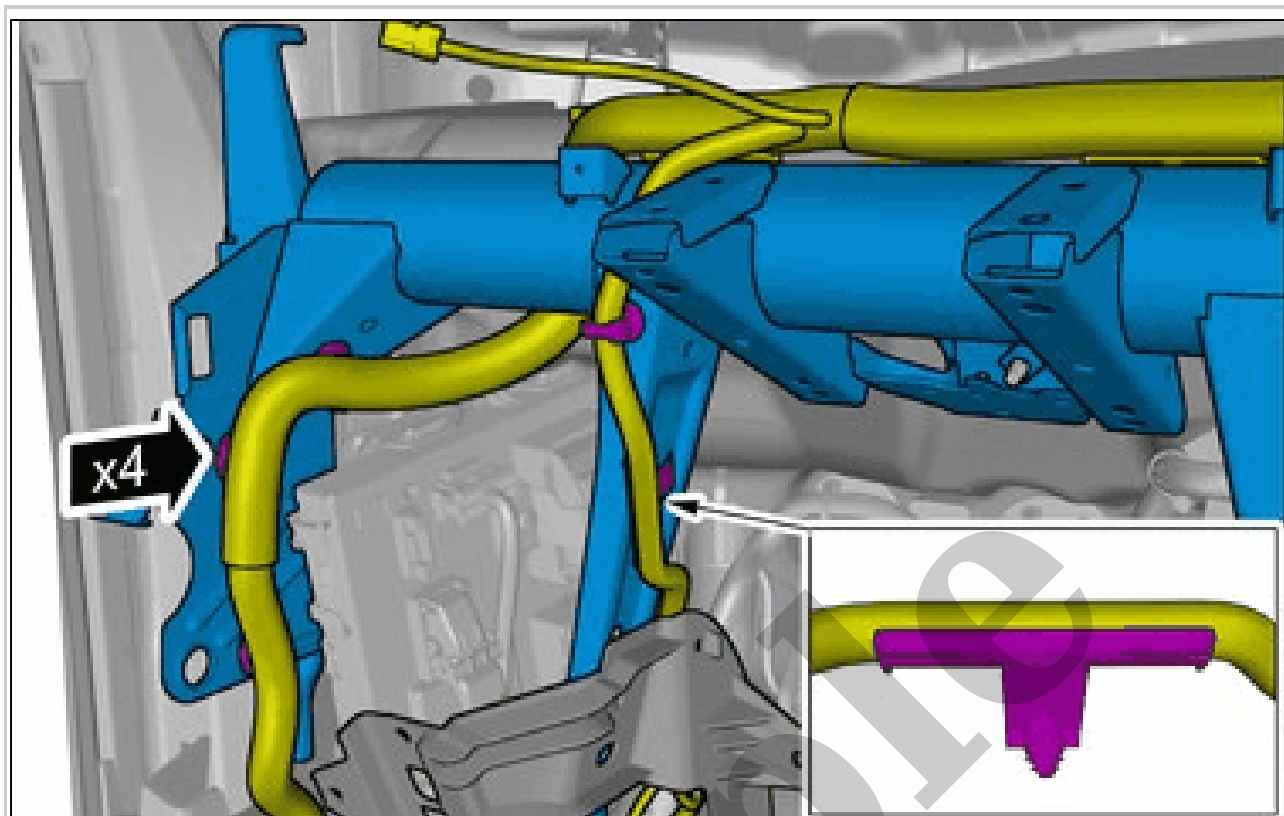
Remove the dashboard. Refer to: DASHBOARD



Courtesy of VOLVO CARS CORPORATION

CAUTION: *The number of connectors, cables and cable ties may vary depending on the vehicle specification.*

Remove the cable harness clips.
Fold marked part aside.



Courtesy of VOLVO CARS CORPORATION

CAUTION: *The number of connectors, cables and cable ties may vary depending on the vehicle specification.*

Remove the cable harness clips.

See information about connector ignition cable. Refer to: IGNITER WIRE CONNECTOR