

# Your Ultimate Source for OEM Repair Manuals

FactoryManuals.net is a great resource for anyone who wants to save money on repairs by doing their own work. The manuals provide detailed instructions and diagrams that make it easy to understand how to fix a vehicle.

## 2016 NISSAN Quest OEM Service and Repair Workshop Manual

[Go to manual page](#)

DTC Display contents of CONSULT	Fail-safe condition
	<ul style="list-style-type: none"> <li>• Rear view is not displayed even if shift lever is in R position.</li> <li>• The following systems are canceled. <ul style="list-style-type: none"> <li>◦ MOD (Moving Object Detection) function</li> <li>◦ Vehicle speed &amp; vehicle-to-vehicle control function</li> <li>◦ Lane keep function *1</li> <li>◦ Lane keep function *2</li> <li>◦ Lane change support function</li> <li>◦ Overtaking support function</li> <li>◦ Route driving support function</li> <li>◦ AEB</li> <li>◦ RAB</li> <li>◦ I-FCW</li> <li>◦ I-LI</li> <li>◦ I-BSI</li> <li>◦ TSR</li> <li>◦ I-DA</li> </ul> </li> </ul>
U2176-82: CAN comm err (CCM)	The following systems are canceled.
U2176-83: CAN comm err (CCM)	<ul style="list-style-type: none"> <li>• ProPILOT Park</li> </ul>
U2176-87: CAN comm err (CCM)	<ul style="list-style-type: none"> <li>• Predicted course line is not displayed.</li> <li>• MOD (Moving Object Detection) function is cancel.</li> </ul>
U2248-87:CAN communication error(brake control unit)	<p>The following systems are canceled.</p> <ul style="list-style-type: none"> <li>• Lane keep function *1</li> <li>• Lane keep function *2</li> <li>• Lane change support function</li> <li>• Overtaking support function</li> <li>• Route driving support function</li> <li>• AEB</li> <li>• RAB</li> <li>• I-FCW</li> <li>• I-LI</li> <li>• I-BSI</li> <li>• TSR</li> </ul>

DTC Display contents of CONSULT	Fail-safe condition
	*1: ProPILOT Assist 2.0 display is green *2: ProPILOT Assist 2.0 display is blue
U2259-87:CAN communication error(brake control unit)	The following systems are canceled. <ul style="list-style-type: none"> <li>• Lane keep function *1</li> <li>• Lane keep function *2</li> <li>• Lane change support function</li> <li>• Overtaking support function</li> <li>• Route driving support function</li> <li>• AEB</li> <li>• RAB</li> <li>• I-FCW</li> <li>• I-LI</li> <li>• I-BSI</li> <li>• TSR</li> </ul> *1: ProPILOT Assist 2.0 display is green *2: ProPILOT Assist 2.0 display is blue
U2265-87: CAN comm err (sonar)	-
U2273-87:CAN communication error(display)	None
U2276-87:CAN communication error(CDM)	The following systems are canceled. <ul style="list-style-type: none"> <li>• Lane keep function *1</li> <li>• Lane keep function *2</li> <li>• Lane change support function</li> <li>• Overtaking support function</li> <li>• Route driving support function</li> <li>• AEB</li> <li>• RAB</li> <li>• I-FCW</li> <li>• I-LI</li> <li>• I-BSI</li> <li>• TSR</li> </ul> *1: ProPILOT Assist 2.0 display is green *2: ProPILOT Assist 2.0 display is blue
U2318-87:CAN communication error(intelligent key)	None
U2343-57:CAN communication error(VCM/HPCM)	The following systems are canceled. <ul style="list-style-type: none"> <li>• Vehicle-to-vehicle distance control mode</li> </ul>

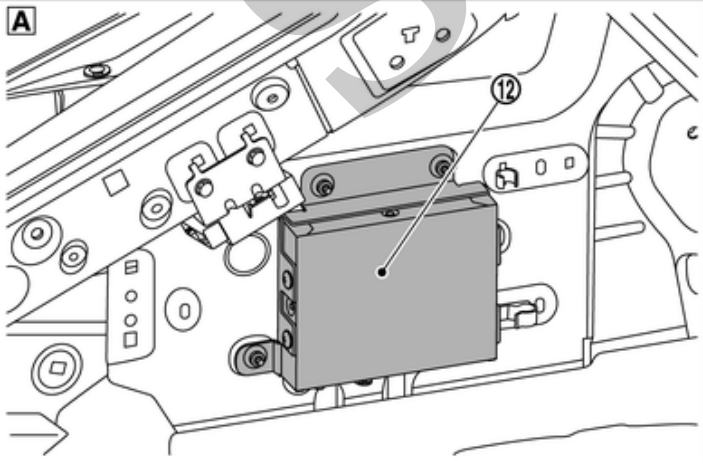
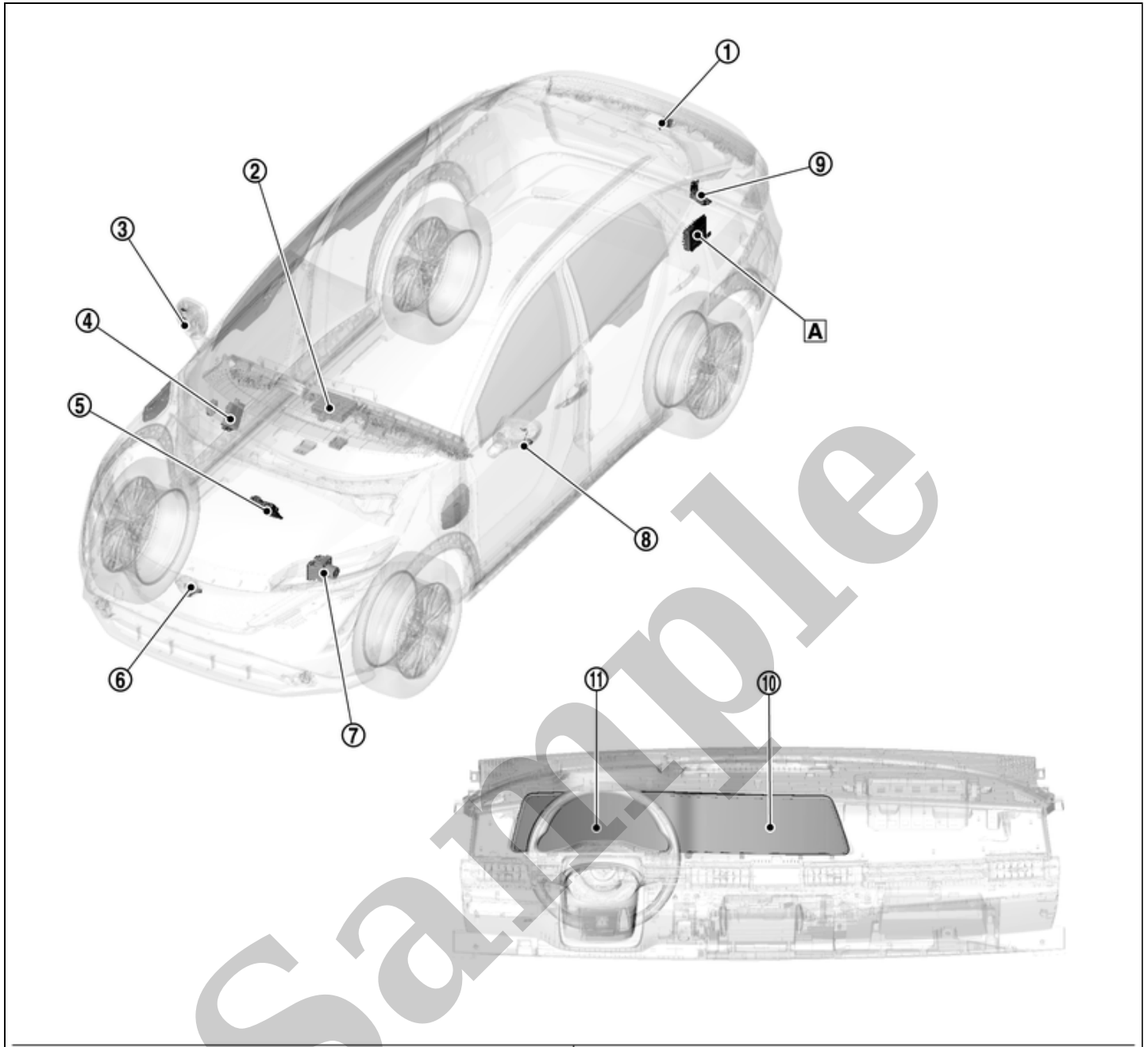
<p style="text-align: center;"><b>DTC</b></p> <p style="text-align: center;"><b>Display contents of CONSULT</b></p>	<p style="text-align: center;"><b>Fail-safe condition</b></p>
	<ul style="list-style-type: none"> <li>• Lane keep function *1</li> <li>• Lane keep function *2</li> <li>• Lane change support function</li> <li>• Overtaking support function</li> <li>• Route driving support function</li> <li>• AEB</li> <li>• RAB</li> <li>• I-FCW</li> <li>• I-LI</li> <li>• I-BSI</li> <li>• TSR</li> <li>• I-DA</li> </ul> <p>*1: ProPILOT Assist 2.0 display is green</p> <p>*2: ProPILOT Assist 2.0 display is blue</p>
<p>U2343-87:CAN communication error(VCM/HPCM)</p>	<p>The following systems are canceled.</p> <ul style="list-style-type: none"> <li>• Vehicle-to-vehicle distance control mode</li> <li>• Lane keep function *1</li> <li>• Lane keep function *2</li> <li>• Lane change support function</li> <li>• Overtaking support function</li> <li>• Route driving support function</li> <li>• AEB</li> <li>• RAB</li> <li>• I-LI</li> <li>• I-BSI</li> </ul> <p>*1: ProPILOT Assist 2.0 display is green</p> <p>*2: ProPILOT Assist 2.0 display is blue</p>
<p>U2348-87: CAN comm err (brake control unit)</p>	<p>The following systems are canceled.</p> <ul style="list-style-type: none"> <li>• Vehicle speed &amp; vehicle-to-vehicle control function</li> <li>• Lane keep function *1</li> <li>• Lane keep function *2</li> <li>• Lane change support function</li> <li>• Overtaking support function</li> <li>• Route driving support function</li> </ul>

DTC Display contents of CONSULT	Fail-safe condition
	<ul style="list-style-type: none"> <li>• AEB</li> <li>• RAB</li> <li>• I-FCW</li> <li>• I-LI</li> <li>• I-BSI</li> <li>• TSR</li> <li>• I-DA</li> </ul>
U234F-57:CAN communication error(BCM)	<p>The following systems are canceled.</p> <ul style="list-style-type: none"> <li>• Vehicle-to-vehicle distance control mode</li> <li>• Lane keep function <sup>*1</sup></li> <li>• Lane keep function <sup>*2</sup></li> <li>• Lane change support function</li> <li>• Overtaking support function</li> <li>• Route driving support function</li> <li>• AEB</li> <li>• RAB</li> <li>• I-FCW</li> <li>• I-LI</li> <li>• I-BSI</li> <li>• TSR</li> <li>• I-DA</li> </ul> <p>*1: ProPILOT Assist 2.0 display is green *2: ProPILOT Assist 2.0 display is blue</p>
U2350-87:CAN communication error(Air bag diagnosis sensor unit)	None
U2354-87: CAN comm err (MIU)	<ul style="list-style-type: none"> <li>• Camera image not displayed.</li> <li>• MOD (Moving Object Detection) function is cancel.</li> </ul>
U236E-87: CAN comm err (side radar)	-
U2376-57:CAN communication error (CCM)	<p>The following systems are canceled.</p> <ul style="list-style-type: none"> <li>• Vehicle-to-vehicle distance control mode</li> <li>• Lane keep function <sup>*1</sup></li> <li>• Lane keep function <sup>*2</sup></li> <li>• Lane change support function</li> </ul>

DTC Display contents of CONSULT	Fail-safe condition
	<ul style="list-style-type: none"> <li>• Overtaking support function</li> <li>• Route driving support function</li> <li>• AEB</li> <li>• RAB</li> <li>• I-FCW</li> <li>• I-LI</li> <li>• I-BSI</li> <li>• TSR</li> <li>• I-DA</li> </ul> <p>*1: ProPILOT Assist 2.0 display is green *2: ProPILOT Assist 2.0 display is blue</p>
U2376-87:CAN communication error (CCM)	<p>The following systems are canceled.</p> <ul style="list-style-type: none"> <li>• Vehicle speed &amp; vehicle-to-vehicle control function</li> <li>• Lane keep function *1</li> <li>• Lane keep function *2</li> <li>• Lane change support function</li> <li>• Overtaking support function</li> <li>• Route driving support function</li> <li>• AEB</li> <li>• RAB</li> <li>• I-FCW</li> <li>• I-LI</li> <li>• I-BSI</li> <li>• TSR</li> <li>• I-DA</li> </ul>
U2452-87:CAN communication error (ADAS control unit)	<p>The following systems are canceled.</p> <ul style="list-style-type: none"> <li>• Lane keep function *</li> <li>• Lane change support function</li> <li>• Overtaking support function</li> <li>• Route driving support function</li> </ul> <p>*: ProPILOT Assist 2.0 display is blue</p>
U246C-87:CAN communication error (side radar)	None
U246E-87:CAN communication error (side radar)	None
U2775-88:Ethernet communication error	None

<p style="text-align: center;"><b>DTC</b></p> <p style="text-align: center;"><b>Display contents of CONSULT</b></p>	<p style="text-align: center;"><b>Fail-safe condition</b></p>
U2A04-88: Communication Bus Off ITS1-FD	<ul style="list-style-type: none"> <li>• Camera image not displayed.</li> <li>• MOD (Moving Object Detection) function is cancel.</li> </ul>
U2A05-88: Communication Bus Off ITS4-FD	
U2A08-88: Communication Bus Off ITS3-FD	
U2A0A-88: Communication Bus Off ITS6-FD	-

Sample



SIEMD-7110412-MD-16420564491610-02-000357857On-62856C28-000357857

<b>A</b>	Luggage room
----------	--------------

①	Rear camera	②	AV control unit	③	Side camera RH
④	BCM	⑤	VCM	⑥	Front camera



	<a href="#">Component Parts Location</a> , for detailed installation location.		<a href="#">Component Parts Location</a> , for detailed installation location.		
⑦	ABS actuator and electric unit (control unit) <a href="#">Component Parts Location</a> , for detailed installation location.	⑧	Side camera LH	⑨	Sonar control unit <a href="#">Component Parts Location</a> , for detailed installation location.
⑩	Display unit	⑪	Combination meter	⑫	Around view monitor control unit

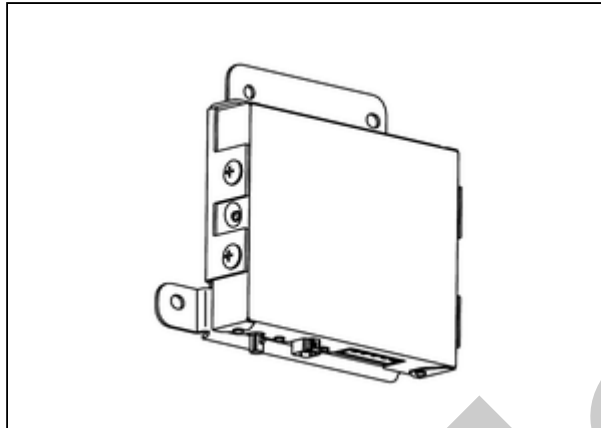
Sample

## Component Function Within The System

---

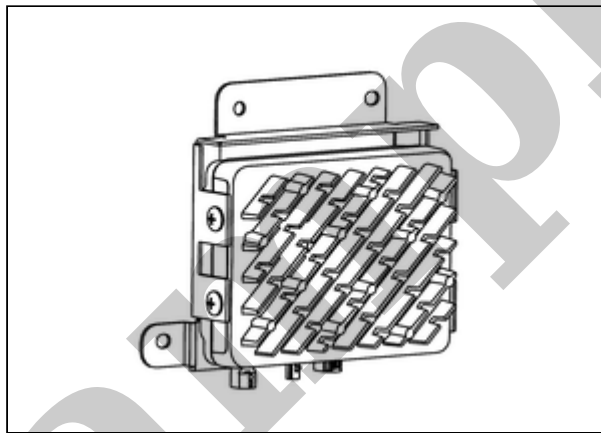
Around view monitor control unit control a intelligent around view monitor system.

Without ProPILOT2.0



SIEMD-7110397-02-000357581

With ProPILOT2.0



SIEMD-7110397-01-000357586

## Individual Component Function

---

- Necessary signals are transmitted/received to/from control unit via CAN communication.
- Supplies a power supply to each camera.
- Camera image signals received from each camera are converted/synthesized in the around view monitor control unit and transmitted to the AV control unit by LVDS.



**NOTE:**

**LVDS (Low Voltage Differential Signaling):** LVDS is differential signaling system, meaning that it transmits information as the difference between the voltages on a pair of wire, the two wire voltages are compared at the receiver.

## Component Operation

---

Refer to [System Description](#).

## Component Parts Location

---

Around view monitor control unit is located in the luggage room.