

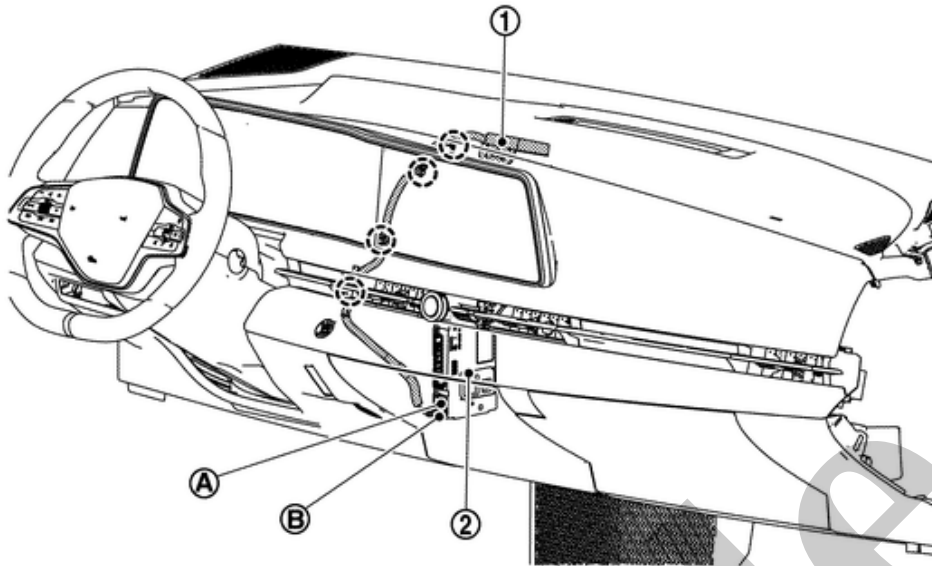
Your Ultimate Source for OEM Repair Manuals

FactoryManuals.net is a great resource for anyone who wants to save money on repairs by doing their own work. The manuals provide detailed instructions and diagrams that make it easy to understand how to fix a vehicle.

2016 NISSAN Note OEM Service and Repair Workshop Manual

[Go to manual page](#)

SEC. 283



RDE-001949332-01-000357919

①	Telematics antenna	②	TCU
Ⓐ	Connector (M355)	Ⓑ	Connector (M356)
⊖	: Crip		



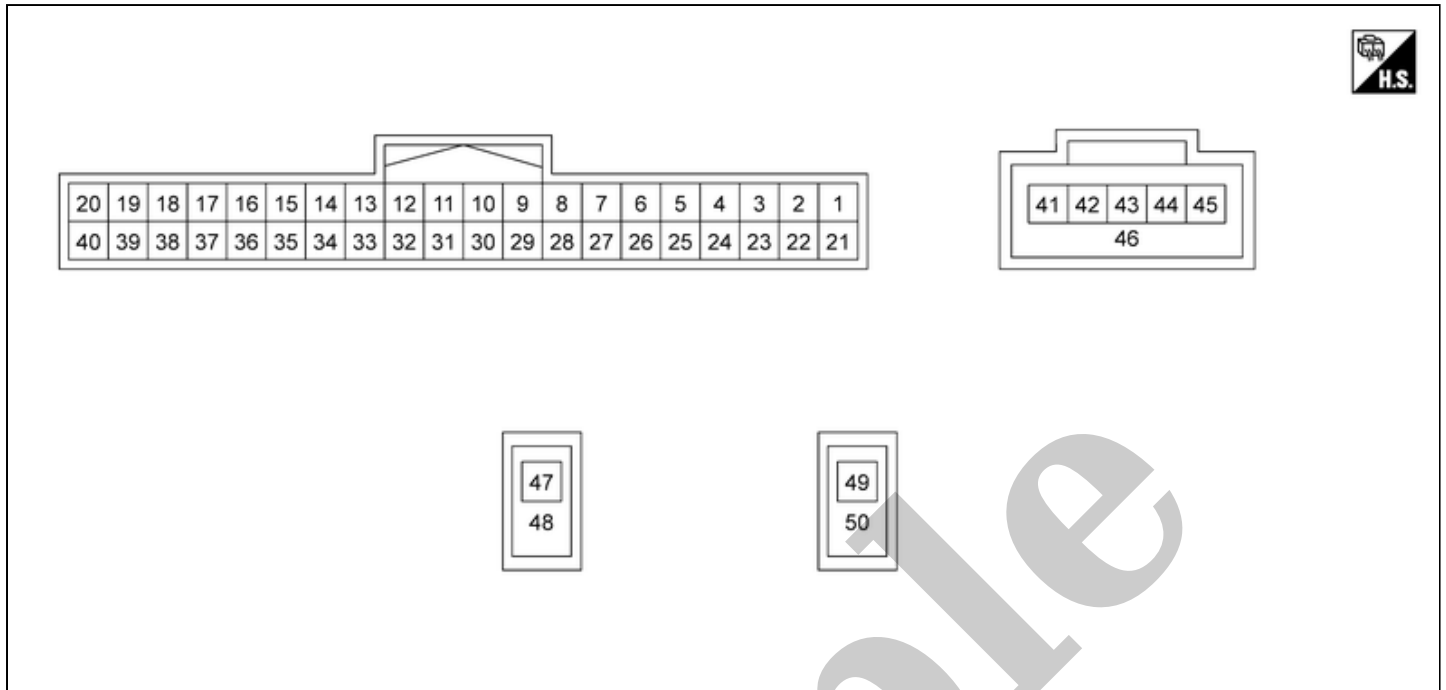
NOTE:

The following table includes information (items) inapplicable to this vehicle. For information (items) applicable to this vehicle, refer to CONSULT display items.

CONSULT MONITOR ITEM

Monitor Item	Condition		Value/Status
USB	Power switch ON		Con
Subscriber identity module status	Power switch ON		Unlock
Backup battery age	Power switch ON		Display backup battery age (days)
Embedded universal integrated circuit card status personal identification number used	Power switch ON		Enable
SOS switch	Power switch ON	When pressing SOS switch	On
		Except for above	Off
Radio wave	Power switch ON		On
Power type	Power switch ON		EV
Zone	Power switch ON		U.S.A
Brand	Power switch ON		Nissan

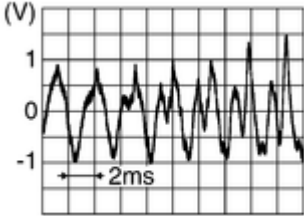
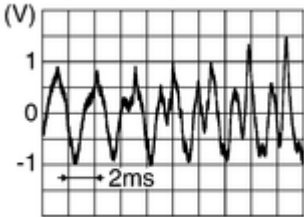
TERMINAL LAYOUT



SIEMD-7213244-01-000357916

INPUT/OUTPUT SIGNAL STANDARD

Terminal (Wire color)		Description		Condition	Standard	Reference value (Approx.)
+	-	Signal name	Input/Output			
1 (R)	Ground	Battery power supply	Input	[Power switch OFF]	9.0 - 16.0 V	Battery Voltage
5 (Y)	Ground	SOS switch LED signal (Green)	Output	[Power switch ON]	4.0 - 16.0 V	5.3 V
				<ul style="list-style-type: none"> When not illuminated LED lamp (green) of SOS switch 		
6 (LA/SB)	—	CAN-H	Input/Output	[Power switch ON]	—	0 V
				<ul style="list-style-type: none"> Except for above 		
7 (LA/V)	—	CAN-L	Input/Output	—	—	—
16	—	Shield	—	—	—	—

Terminal (Wire color)		Description		Condition	Standard	Reference value (Approx.)
+	-	Signal name	Input/Output			
17 (LG)	Ground	Microphone signal	Input	[Power switch ON] • Sound input	—	 <p>SIEMD-7213244- A0000000014400633-03- KIB3609EOff-5EF9BBB5-KIB3609E</p>
18 (V)	Ground	Microphone power supply	Output	[Power switch ON]	4.0 - 5.1 V	4.72 V
26 (LA/SB)	—	AV communication signal (H)	Input/Output	—	—	—
27 (LA/LG)	—	AV communication signal (L)	Input/Output	—	—	—
28 (B)	Ground	Ground	—	[Power switch ON]	—	0 V
29 (B)	Ground	Ground	—	[Power switch ON]	—	0 V
31 (W)	32 (B)	Sound signal	Output	[Power switch ON] • Sound output	—	 <p>SIEMD-7213244- A0000000014400633-03- KIB3609EOff-5EFA4DEC-KIB3609E</p>
34 (LG)	Ground	Air bag ON signal	Input	—	—	—
37 (BG)	Ground	SOS call switch signal	Input	[Power switch ON] • When pressing SOS switch	—	0 V
				[Power switch ON] • Except for above	—	5.0 V
41 (B)	—	USB V BUS signal	—	—	—	—
42	—	USB D- signal	—	—	—	—

Terminal (Wire color)		Description		Condition	Standard	Reference value (Approx.)
+	-	Signal name	Input/Output			
(G)						
43 (R)	—	USB D+ signal	—	—	—	—
45 (W)	—	USB ground	—	—	—	—
46	—	Shield	—	—	—	—
47	—	TEL antenna signal	Input	—	—	—
48	—	Shield	—	—	—	—
49	—	GPS antenna signal	Input	[Power switch ACC] • Not connected harness connector.	—	5.0 V
50	—	Shield	—	—	—	—

Fail-safe

Refer to [Fail-safe](#).

Sample

DTC Inspection Priority Chart

SIEMD-7213240

If multiple DTCs are detected simultaneously, check them one by one depending on the following DTC inspection priority chart.

Priority	Detected items (DTC)
1	<ul style="list-style-type: none"> • B2E12-55: Configuration • B2E1B-97: Automatic eCall locked
2	<ul style="list-style-type: none"> • U0074-00: Control module comm Bus B Off • U0079-00: Control module comm Bus G Off
3	<ul style="list-style-type: none"> • B2E01-4A: Internal battery • B2E01-4B: Internal battery • B2E01-96: Internal battery • B2E04-16: Internal battery
4	<ul style="list-style-type: none"> • U2118-87: CAN communication error (Intelligent Key) • U2140-87: CAN communication error (ECM) • U2141-87: CAN communication error (TCM) • U2143-87: CAN communication error (VCM/HCM) • U2144-87: CAN communication error (LBC) • U2148-87: CAN communication error (brake control unit) • U214E-87: CAN communication error (combination meter) • U214F-87: CAN communication error (BCM) • U2150-87: CAN communication error (AIRBAG) • U2153-87: CAN communication error (Heating, Ventilating, Air Conditioning) ch1 • U2157-87: CAN communication error (DCDC) • U2159-87: CAN communication error (steering control unit) • U215B-87: CAN communication error (IPDM E/R)
5	<ul style="list-style-type: none"> • B2E05-29: Airbag • B2E08-01: Microphone • B2E32-11: Audio unit • B2E32-12: Audio unit • B2E32-13: Audio unit • B2E34-11: TEL antenna • B2E34-13: TEL antenna • B2E35-11: GPS antenna

Priority	Detected items (DTC)
	<ul style="list-style-type: none"><li data-bbox="288 62 580 91">• B2E35-12: GPS antenna<li data-bbox="288 125 580 154">• B2E35-13: GPS antenna<li data-bbox="288 188 799 217">• B2E4A-06: Remote actuator cipher key error<li data-bbox="288 250 831 280">• B2E4B-06: Remote actuator without cipher key<li data-bbox="288 313 799 342">• B2E60-06: Remote actuator cipher key error<li data-bbox="288 376 799 405">• B2E61-06: Remote actuator cipher key error

Sample

Self Diagnostic Result

DTC	Display item	Refer to
B2E01-4A	Internal battery	DTC Description
B2E01-4B	Internal battery	DTC Description
B2E01-96	Internal battery	DTC Description
B2E04-16	Internal battery	DTC Description
B2E05-29	Airbag	DTC Description
B2E08-01	Microphone	DTC Description
B2E12-55	Configuration	DTC Description
B2E1B-97	Automatic eCall locked	DTC Description
B2E32-11	Audio unit	DTC Description
B2E32-12	Audio unit	DTC Description
B2E32-13	Audio unit	DTC Description
B2E34-11	TEL antenna	DTC Description
B2E34-13	TEL antenna	DTC Description
B2E35-11	GPS antenna	DTC Description
B2E35-12	GPS antenna	DTC Description
B2E35-13	GPS antenna	DTC Description
B2E4A-06	Remote actuator cipher key error	DTC Description
B2E4B-06	Remote actuator without cipher key	DTC Description
B2E60-06	Remote actuator cipher key error	DTC Description
B2E61-06	Remote actuator cipher key error	DTC Description
U0074-00	Control module communication Bus B Off	DTC Description
U0079-00	Control module communication Bus G Off	DTC Description
U2118-87	CAN communication error (Intelligent Key)	DTC Description
U2140-87	CAN communication error (ECM)	DTC Description
U2141-87	CAN communication error (TCM)	DTC Description
U2143-87	CAN communication error (VCM/HCM)	DTC Description
U2144-87	CAN communication error (LBC)	DTC Description
U2148-87	CAN communication error (brake control unit)	DTC Description
U214E-87	CAN communication error (combination meter)	DTC Description
U214F-87	CAN communication error (BCM)	DTC Description
U2150-87	CAN communication error (AIRBAG)	DTC Description
U2153-87	CAN communication error (Heating, Ventilating, Air Conditioning) ch1	DTC Description
U2157-87	CAN communication error (DCDC)	DTC Description
U2159-87	CAN communication error (steering control unit)	DTC Description
U215B-87	CAN communication error (IPDM E/R)	DTC Description