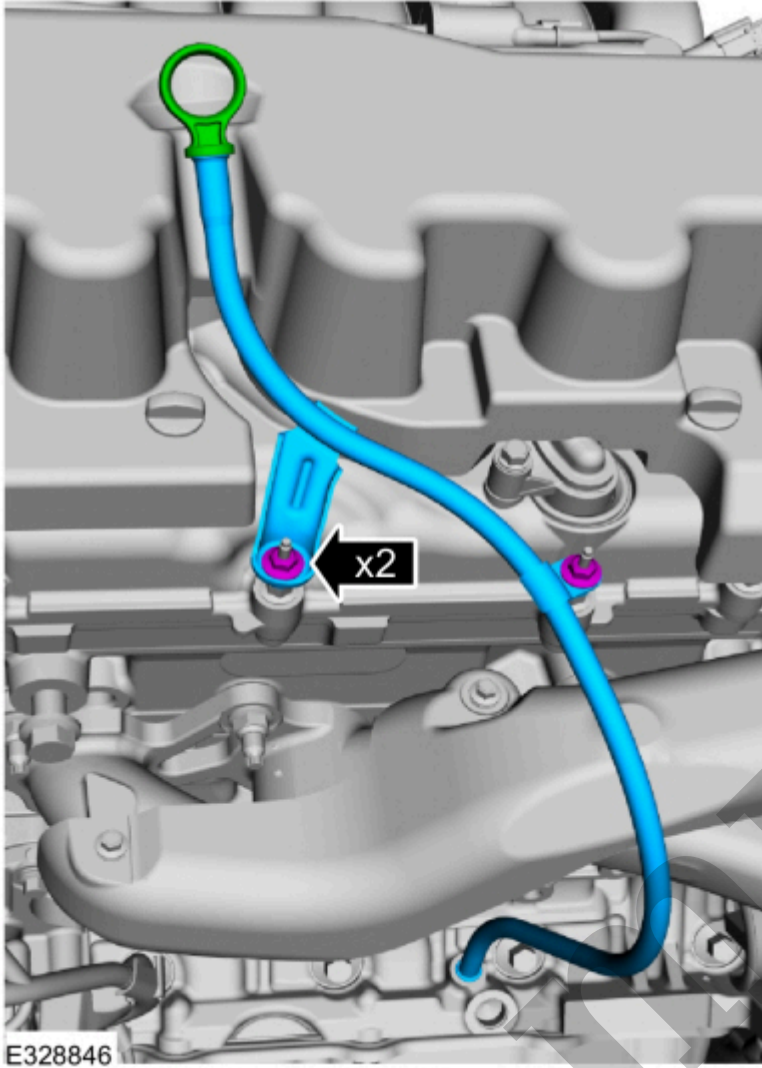


Your Ultimate Source for OEM Repair Manuals

FactoryManuals.net is a great resource for anyone who wants to save money on repairs by doing their own work. The manuals provide detailed instructions and diagrams that make it easy to understand how to fix a vehicle.

2016 Ford Transit-150 Service and Repair Manual

[Go to manual page](#)



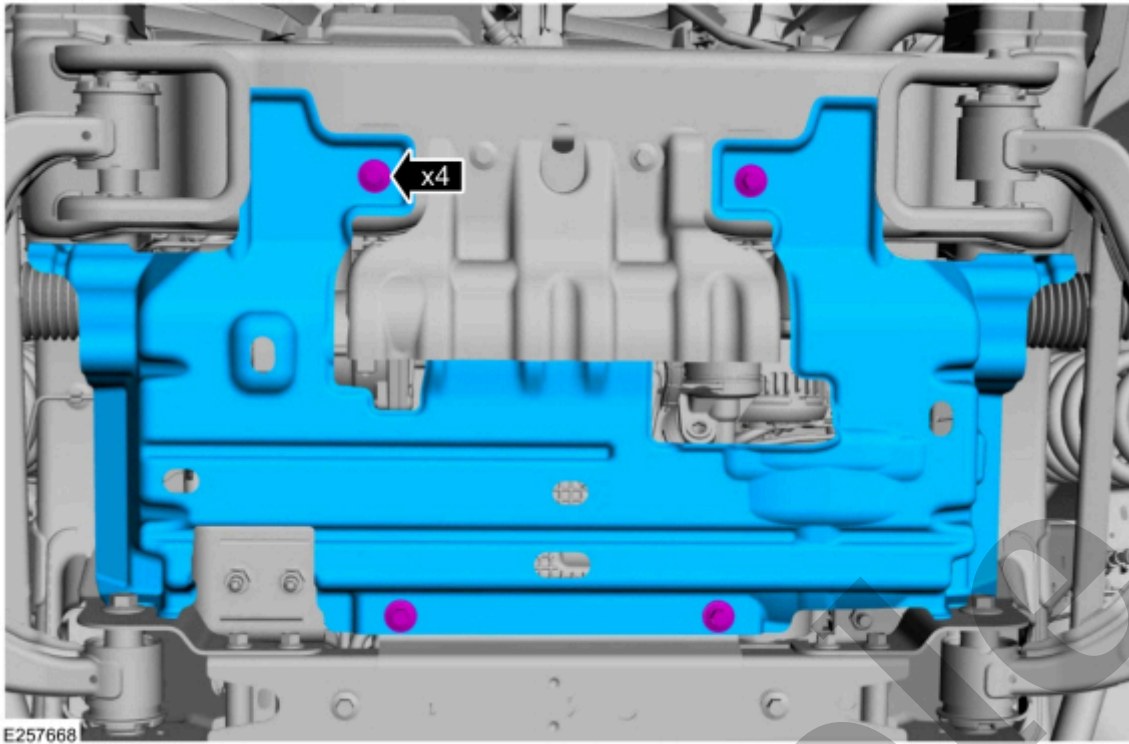
[Click here to learn about symbols, color coding, and icons used in this manual.](#)

10. **NOTE**

If equipped.

Install the skid plate and bolts.

Torque : 30 lb.ft (40 Nm)



[Click here to learn about symbols, color coding, and icons used in this manual.](#)

12. **NOTE**

If equipped.

Install the underbody shield and the bolts.

Torque : 71 lb.in (8 Nm)

Exhaust Manifold RH

303-01E Engine - 5.0L 32V Ti-VCT	2022 F-150
Removal and Installation	Procedure revision date: 10/1/2020

Exhaust Manifold RH

Removal

1. With the vehicle in NEUTRAL, position it on a hoist.

Refer to: [Jacking and Lifting - Overview](#)(100-02 Jacking and Lifting, Description and Operation).

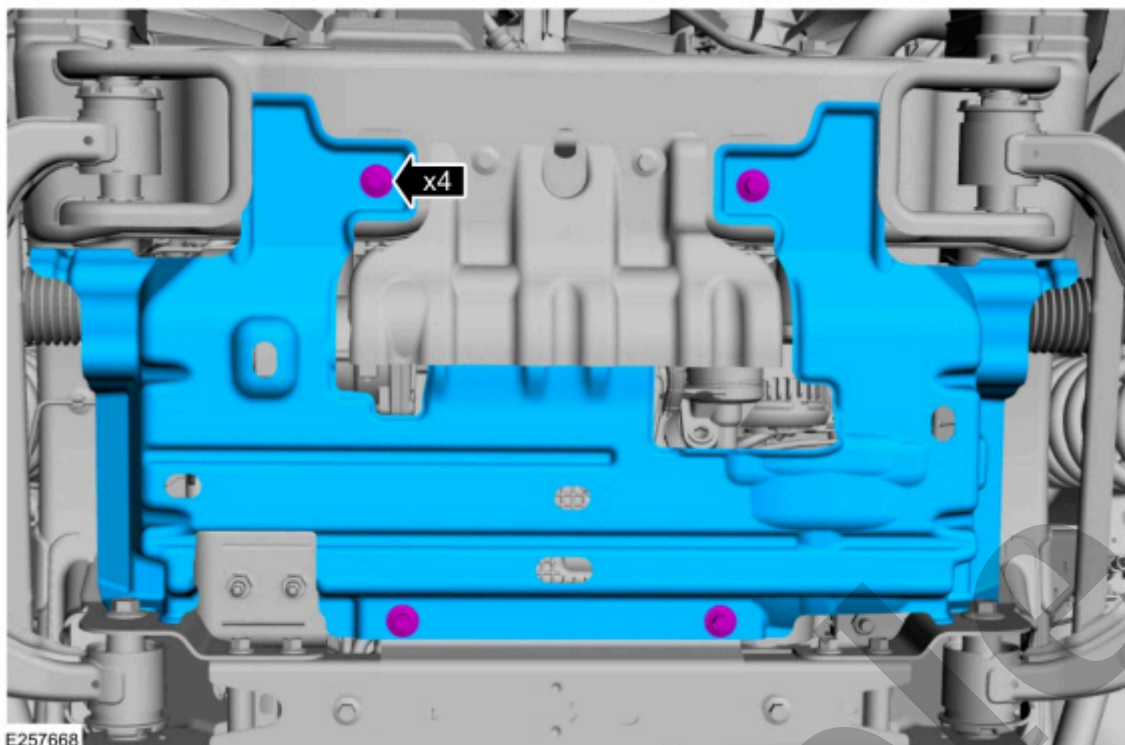
2. Disconnect the battery ground cable.

Refer to: [Battery Disconnect and Connect](#)(414-01 Battery, Mounting and Cables, General Procedures).

3. **NOTE**

If equipped.

Remove the bolts and the underbody shield.

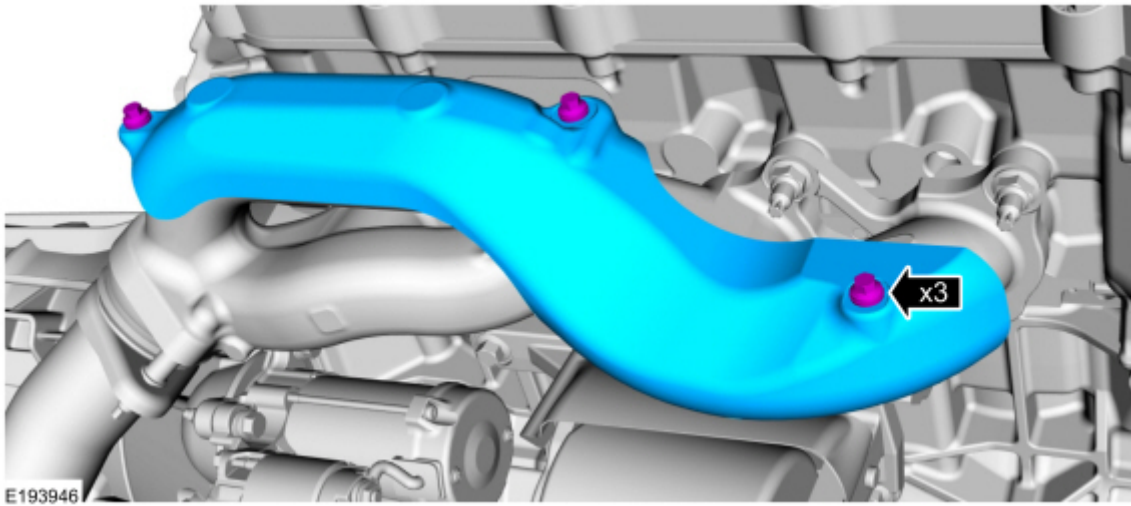


[Click here to learn about symbols, color coding, and icons used in this manual.](#)

5. **NOTE**

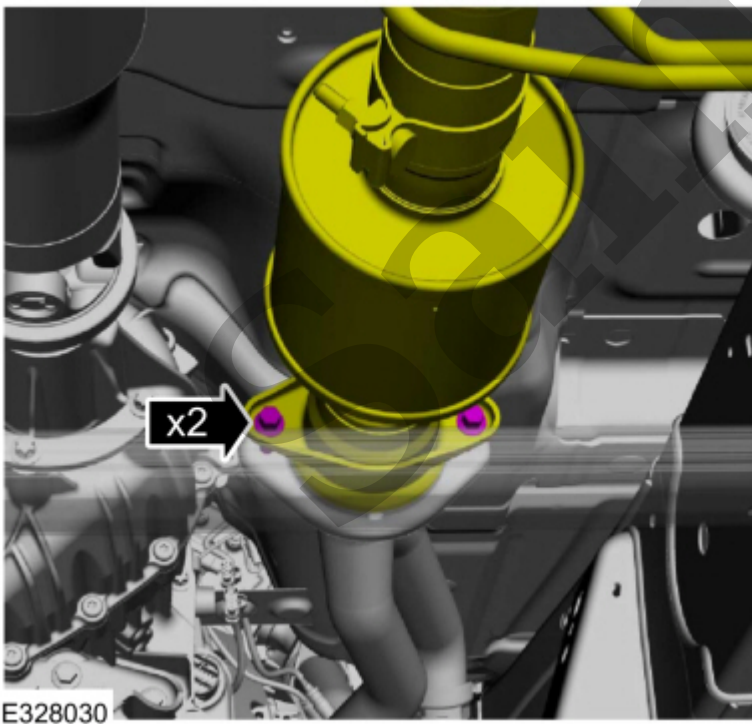
If equipped.

Remove the bolts and the skid plate.



[Click here to learn about symbols, color coding, and icons used in this manual.](#)

8.
 - Remove the exhaust Y-pipe dual catalytic converter-to-exhaust intermediate pipe bolts and separate.
 - Make sure that the mating faces are clean and free of foreign material.

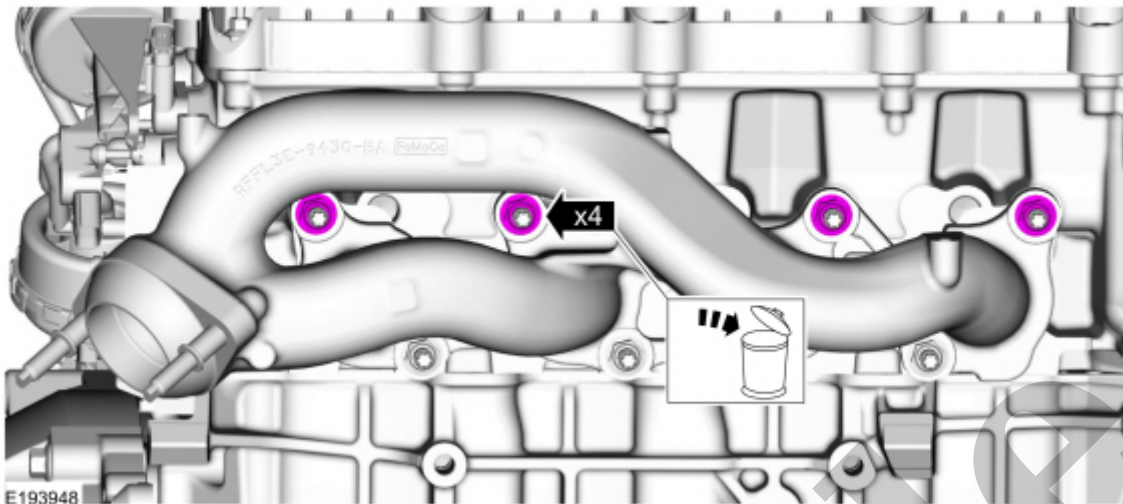


[Click here to learn about symbols, color coding, and icons used in this manual.](#)

9. Remove and discard the catalytic converter-to- LH (left-hand) exhaust manifold nuts.

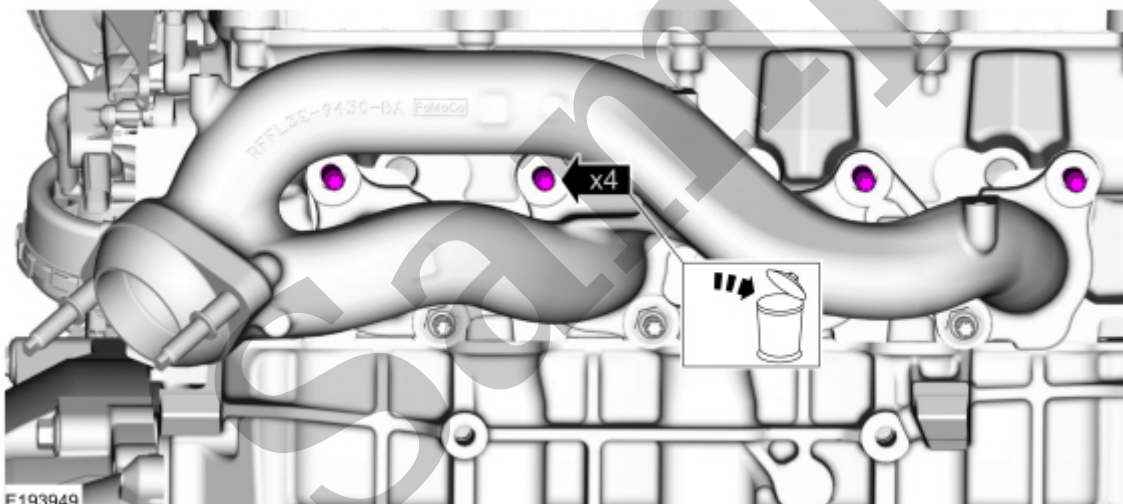
[Click here to learn about symbols, color coding, and icons used in this manual.](#)

11. Remove and discard the RH (right-hand) exhaust manifold nuts.



[Click here to learn about symbols, color coding, and icons used in this manual.](#)

12. Remove and discard the RH (right-hand) exhaust manifold studs.

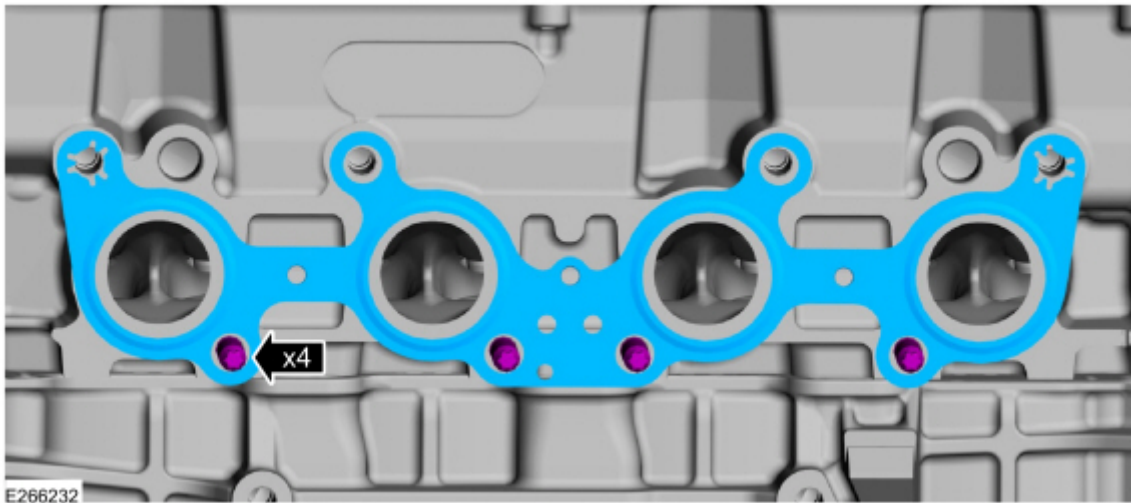


[Click here to learn about symbols, color coding, and icons used in this manual.](#)

13. Remove and discard the nuts.

1. Remove the exhaust manifold.
2. Clean and inspect the exhaust manifold.

Refer to: [Exhaust Manifold Cleaning and Inspection](#)(303-00 Engine System - General Information, General Procedures).



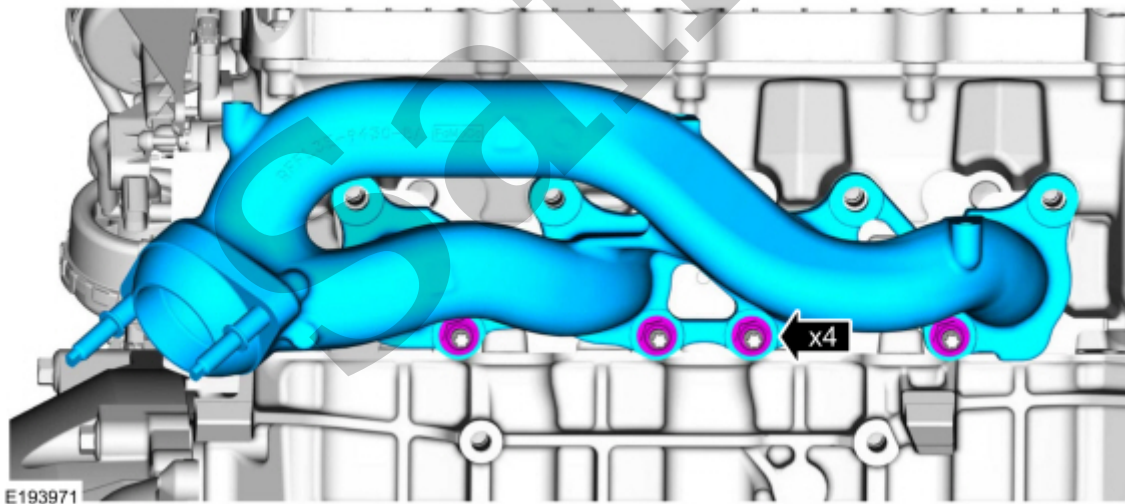
[Click here to learn about symbols, color coding, and icons used in this manual.](#)

2. **NOTE**

Do not tighten the exhaust manifold nuts at this time.

Install the exhaust manifold.

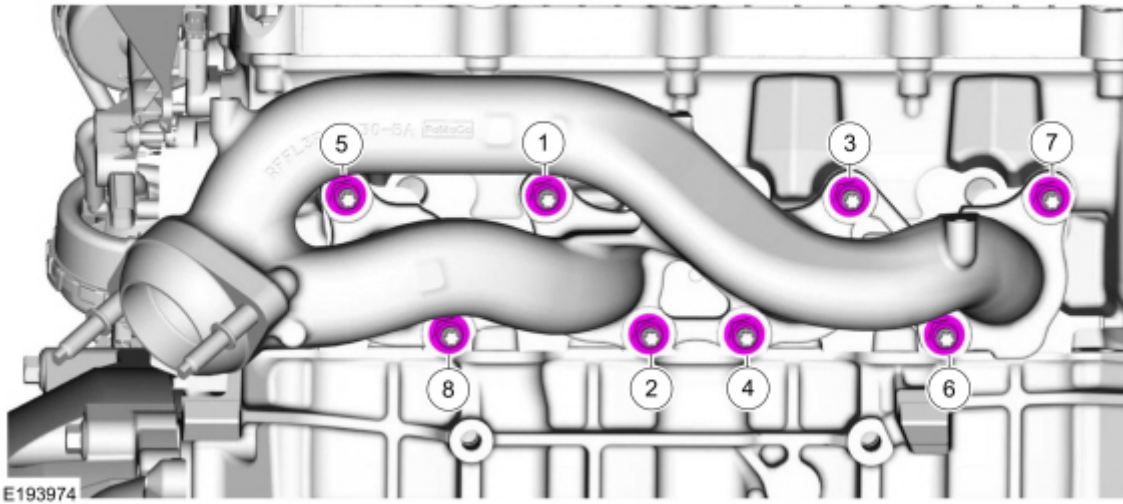
- Install the new nuts.



[Click here to learn about symbols, color coding, and icons used in this manual.](#)

3. Install new studs.

Torque : 18 lb.ft (25 Nm)



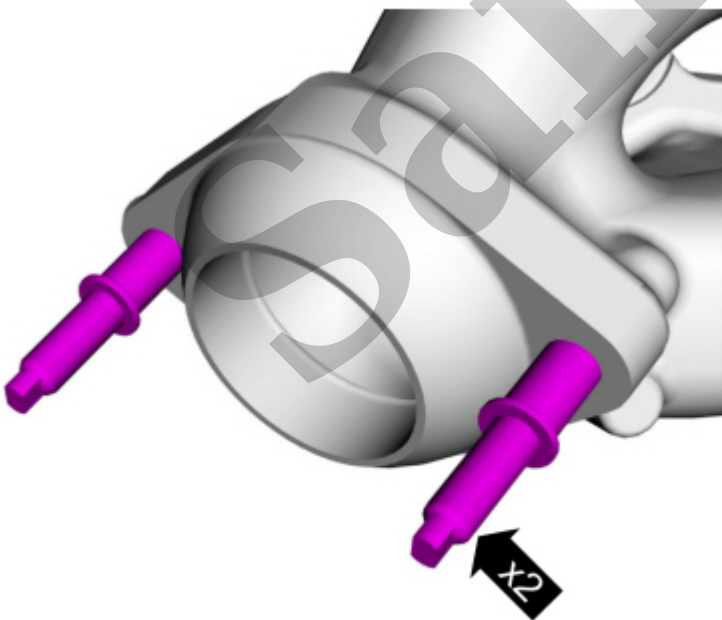
[Click here to learn about symbols, color coding, and icons used in this manual.](#)

6. NOTE

Some replacement exhaust manifolds do not come with studs.

If necessary, install new studs.

Torque : 30 lb.ft (40 Nm)



E221919

[Click here to learn about symbols, color coding, and icons used in this manual.](#)

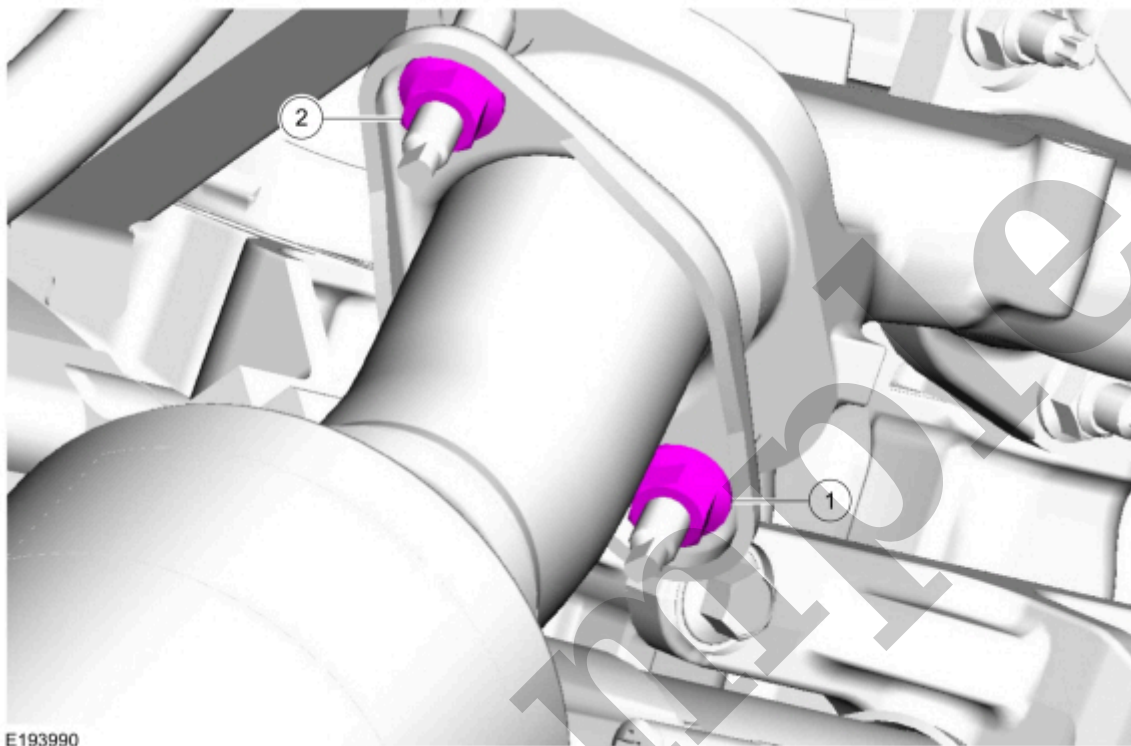
[Click here to learn about symbols, color coding, and icons used in this manual.](#)

9. Tighten the nuts.

Torque :

1: 30 lb.ft (40 Nm)

2: 30 lb.ft (40 Nm)



[Click here to learn about symbols, color coding, and icons used in this manual.](#)

10. Tighten the nuts.

Torque :

1: 30 lb.ft (40 Nm)

2: 30 lb.ft (40 Nm)