

Your Ultimate Source for OEM Repair Manuals

FactoryManuals.net is a great resource for anyone who wants to save money on repairs by doing their own work. The manuals provide detailed instructions and diagrams that make it easy to understand how to fix a vehicle.

2016 FORD Focus RS OEM Service and Repair Workshop Manual

[Go to manual page](#)



Ignition Lock Cylinder

501-14 Handles, Locks, Latches and Entry Systems	2022 F-150
Removal and Installation	Procedure revision date: 10/2/2020

Ignition Lock Cylinder

Removal

Non-functional lock cylinder

NOTE

For non-functional ignition lock cylinders, replace the ignition lock cylinder housing.

1. Remove the ignition switch.

Refer to: [Ignition Switch - Vehicles With: Keyed Ignition](#)(211-05 Steering Wheel and Column Electrical Components, Removal and Installation).

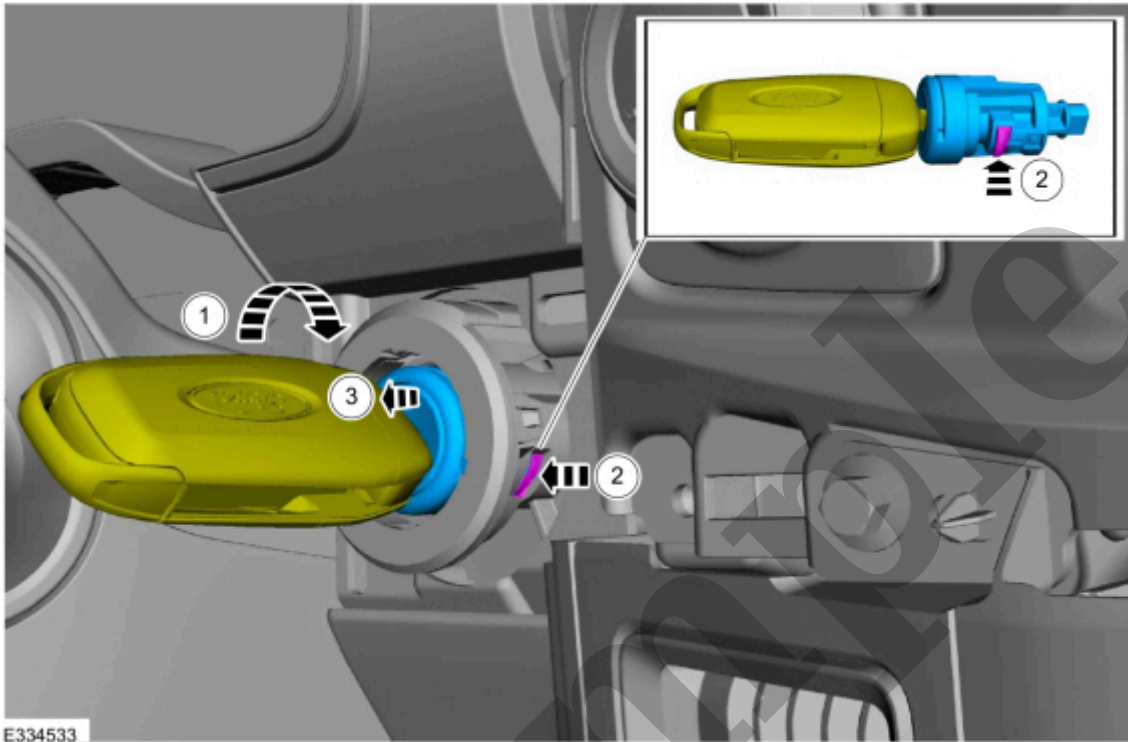
Functional lock cylinder

NOTE

Repair individual lock cylinders by discarding the inoperative lock cylinder and building a new lock cylinder using the appropriate lock repair service kit. The lock repair service kit includes a detailed instruction sheet to build the new lock to match the key cut pattern for the vehicle, thus allowing for single point replacement without needing to replace or reprogram other locks or keys.

2. Release the clips and remove the upper finish trim panel.

1. Insert the ignition key and position the ignition lock cylinder to the ACC position.
2. Using a suitable tool, press the ignition lock cylinder release pin through the access hole.
Use the General Equipment: Pick Hook
3. Pulling the ignition lock cylinder outward, remove the ignition lock cylinder.

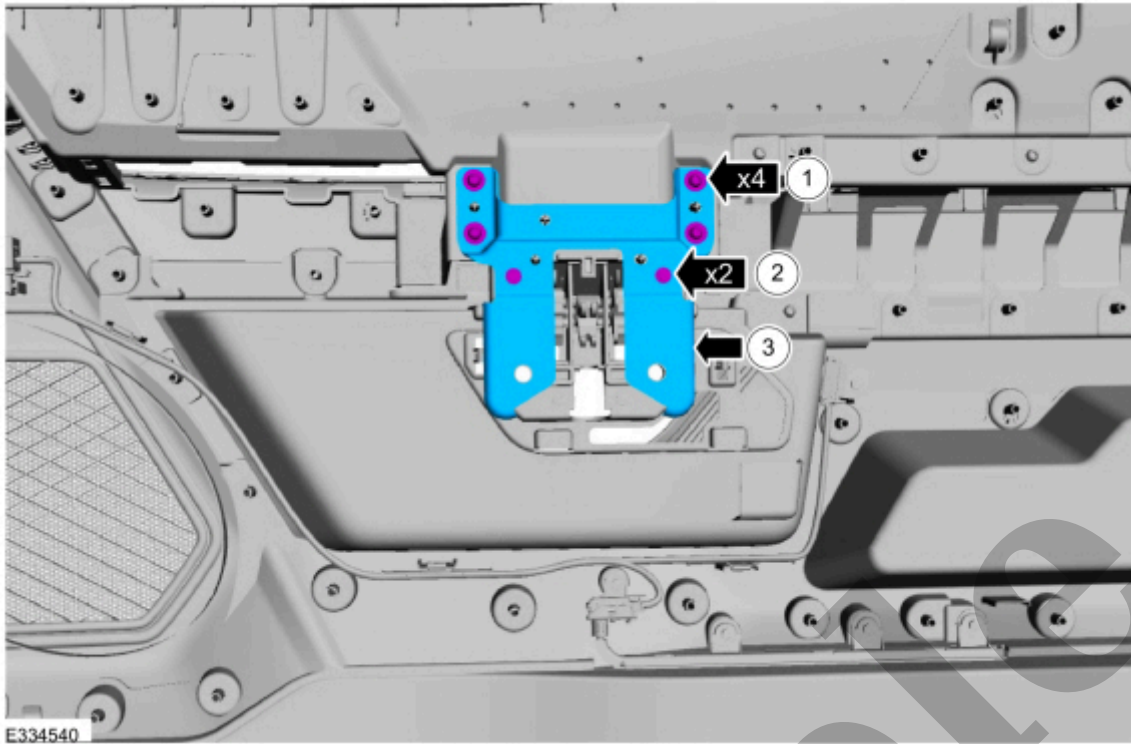


[Click here to learn about symbols, color coding, and icons used in this manual.](#)

Installation

1. To install, reverse the removal procedure.
2. Install the ignition lock cylinder.
 1. Make sure the ignition lock cylinder is in the ACC position.
 2. Insert the ignition lock cylinder into the ignition lock cylinder housing located on the steering column. Make sure to align the locking pin with the locking pin access hole.
 3. Rotate the ignition key through all lock cylinder positions to check for correct operation

Copyright © Ford Motor Company

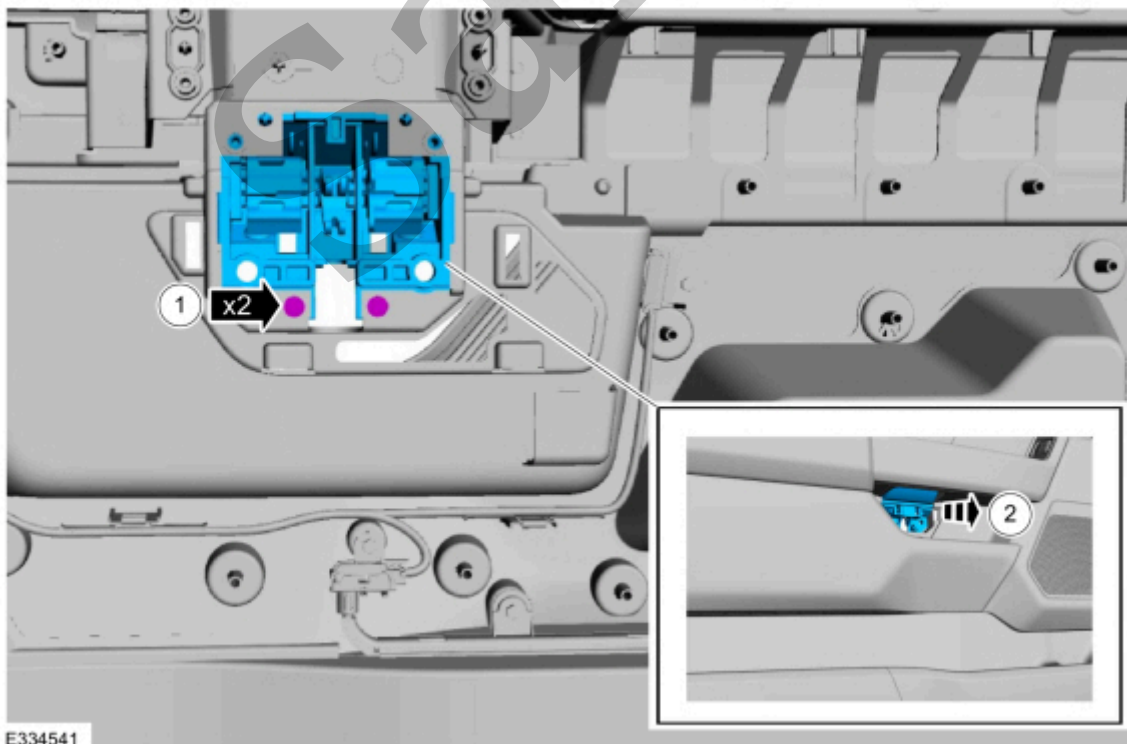


[Click here to learn about symbols, color coding, and icons used in this manual.](#)

3. Remove the interior front door handle.

1. Remove the bolts.

2. Remove the interior front door handle.





Interior Rear Door Handle - SuperCab

501-14 Handles, Locks, Latches and Entry Systems	2022 F-150
Removal and Installation	Procedure revision date: 10/2/2020

Interior Rear Door Handle - SuperCab

Removal

NOTE

Left hand (LH) shown, right hand (RH) similar.

1. Remove the rear door trim panel.

Refer to: [Rear Door Trim Panel - SuperCab](#) (501-05 Interior Trim and Ornamentation, Removal and Installation).

2. Remove the interior rear door handle.
 1. Remove the lower cable from the cable bracket.
 2. Remove the lower cable end from the interior rear door handle.
 3. Remove the upper cable from the cable bracket.
 4. Remove the upper cable end from the interior rear door handle.



Interior Rear Door Handle - SuperCrew

501-14 Handles, Locks, Latches and Entry Systems	2022 F-150
Removal and Installation	Procedure revision date: 10/2/2020

Interior Rear Door Handle - SuperCrew

Removal

NOTE

Left hand (LH) shown, right hand (RH) similar.

1. Remove the rear door trim panel.

Refer to: [Rear Door Trim Panel - SuperCrew](#)(501-05 Interior Trim and Ornamentation, Removal and Installation).

2. Remove the interior rear door handle bracket.

1. Remove the bolts.

2. Remove the bolts.

3. Remove the interior rear door handle bracket.

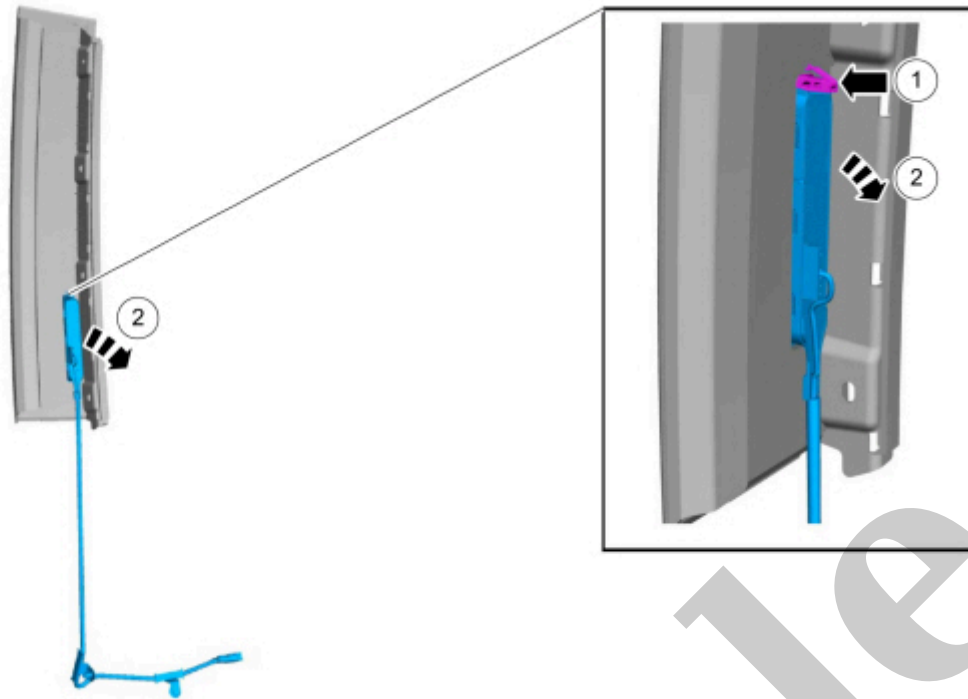
[Click here to learn about symbols, color coding, and icons used in this manual.](#)

Installation

1. To install, reverse the removal procedure.

Copyright © Ford Motor Company

Sample



E333975

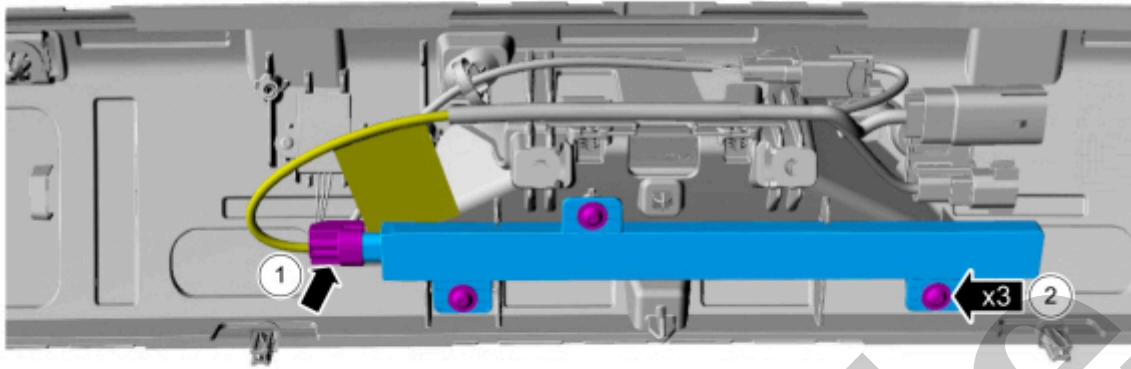
[Click here to learn about symbols, color coding, and icons used in this manual.](#)

Installation

1. To install, reverse the removal procedure.
2. Carry out the power door window initialization.

Refer to: [Power Door Window Initialization](#) (501-11 Glass, Frames and Mechanisms, General Procedures).

Copyright © Ford Motor Company



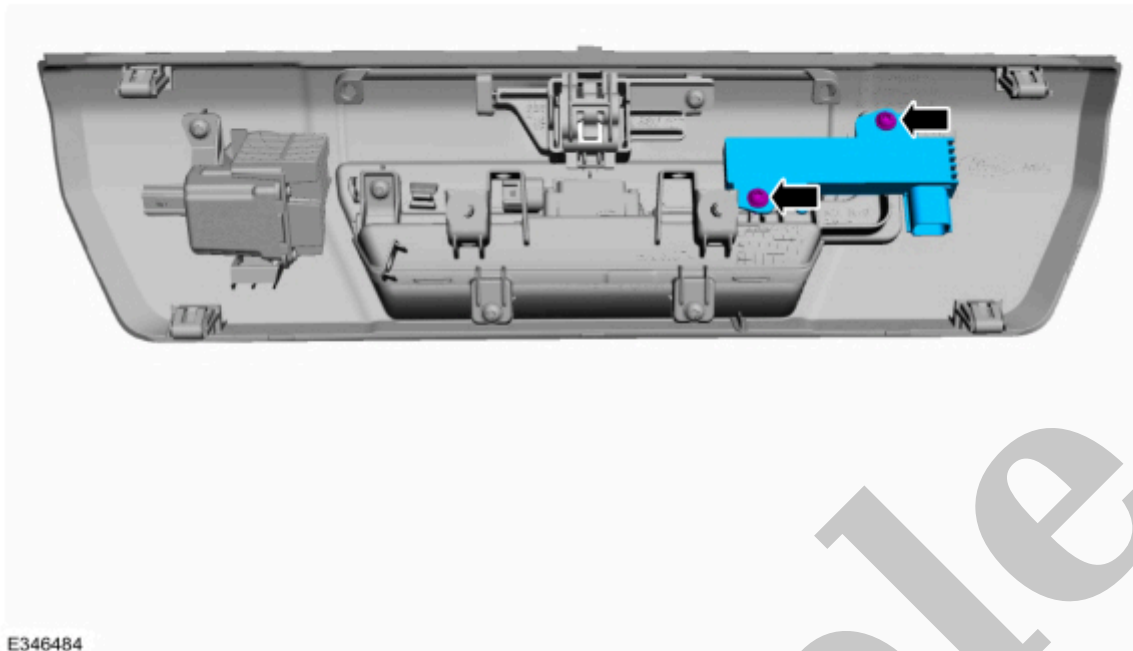
E375169

[Click here to learn about symbols, color coding, and icons used in this manual.](#)

Installation

1. To install, reverse the removal procedure.

Copyright © Ford Motor Company



[Click here to learn about symbols, color coding, and icons used in this manual.](#)

Installation

1. To install, reverse the removal procedure.
2. If equipped.

Align the rear camera.

Refer to: [360 Degree View Camera Alignment](#)(413-13B Parking Aid - Vehicles With: Parking Aid Camera, General Procedures).

Copyright © Ford Motor Company