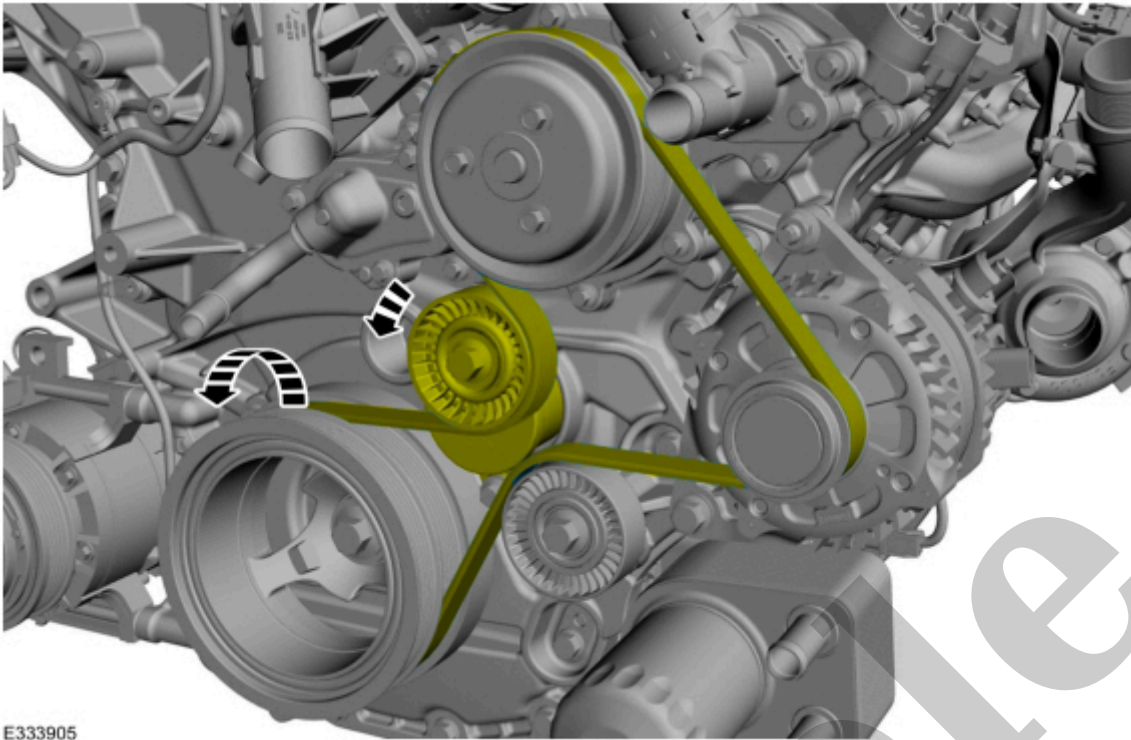


Your Ultimate Source for OEM Repair Manuals

FactoryManuals.net is a great resource for anyone who wants to save money on repairs by doing their own work. The manuals provide detailed instructions and diagrams that make it easy to understand how to fix a vehicle.

2016 Ford Edge Service and Repair Manual

[Go to manual page](#)

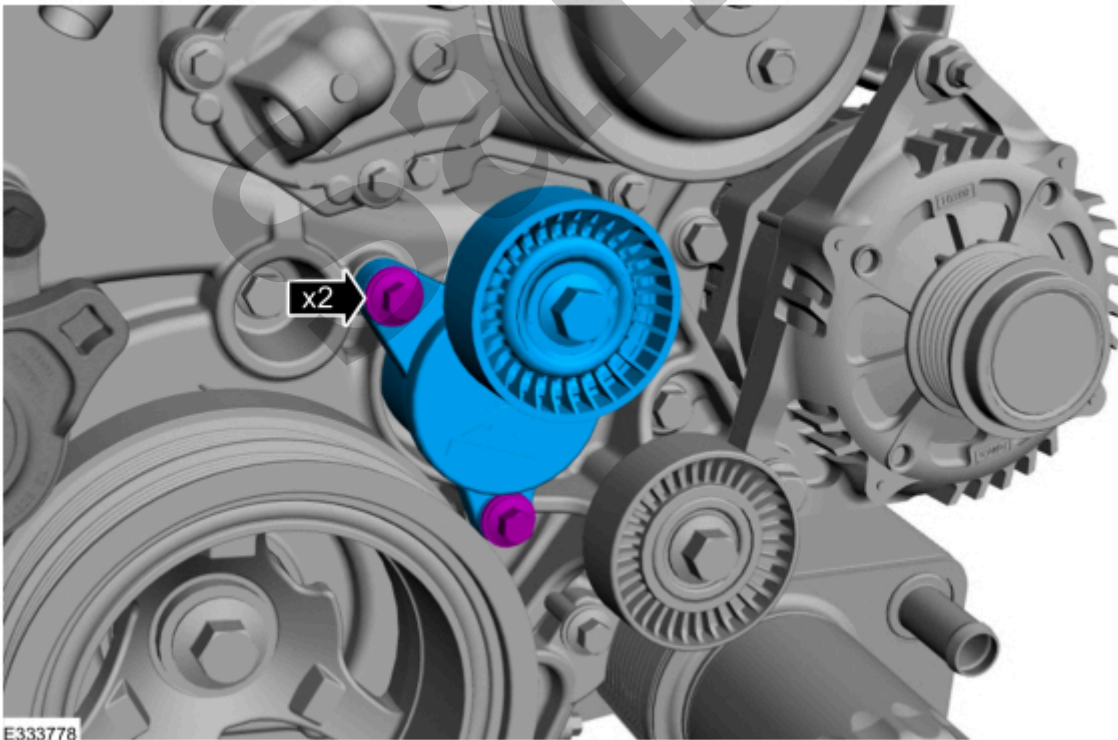


E333905

[Click here to learn about symbols, color coding, and icons used in this manual.](#)

3. Remove the bolts and the accessory drive belt tensioner.

Torque : 18 lb.ft (25 Nm)



E333778

[Click here to learn about symbols, color coding, and icons used in this manual.](#)

Accessory Drive Belt

303-05C Accessory Drive - 3.5L EcoBoost (BM)	2022 F-150
Removal and Installation	Procedure revision date: 09/1/2020

Accessory Drive Belt

Removal

NOTICE

Under no circumstances should the accessory drive belt, tensioner or pulleys be lubricated as potential damage to the belt material and tensioner damping mechanism will occur. Do not apply any fluids or belt dressing to the A/C compressor belt, accessory drive belt or pulleys.

1. Remove the A/C compressor belt.

Refer to: [Air Conditioning \(A/C\) Compressor Belt](#)(303-05C Accessory Drive - 3.5L EcoBoost (BM), Removal and Installation).

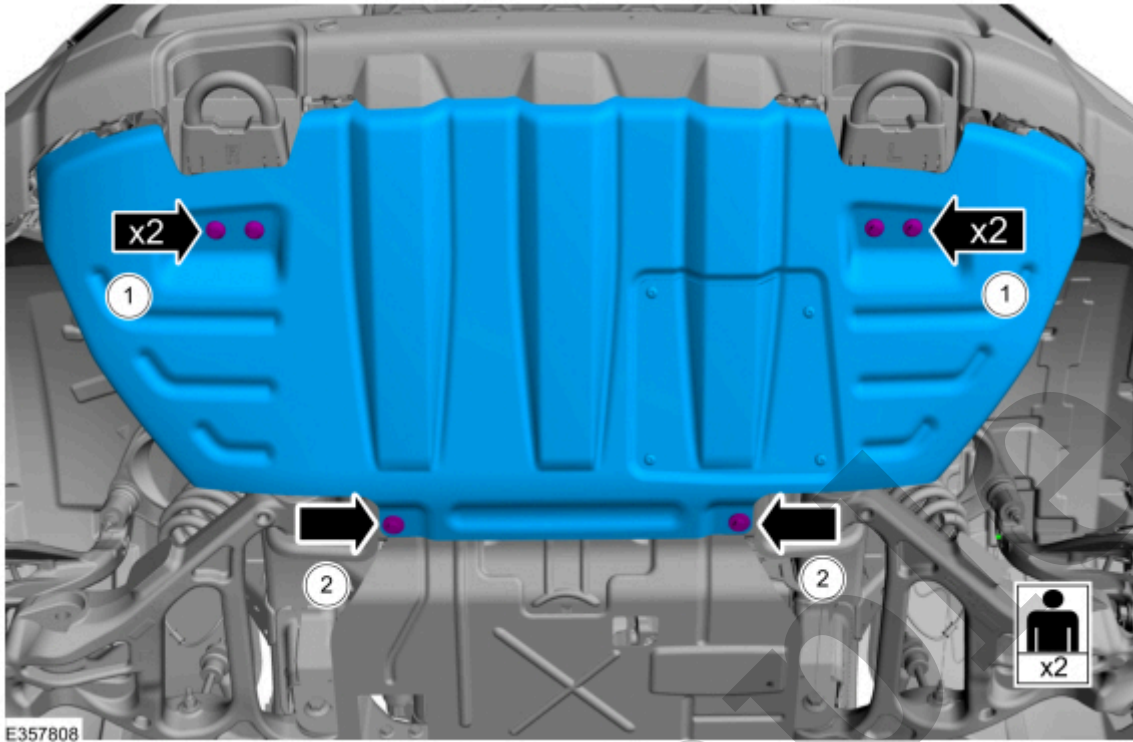
Refer to: [Air Conditioning \(A/C\) Compressor Belt - Vehicles With: Dual Generators](#)(303-05C Accessory Drive - 3.5L EcoBoost (BM), Removal and Installation).

2. Rotate the accessory drive belt tensioner counter clockwise and remove the accessory drive belt.

Sample

1: 35 lb.ft (48 Nm)

2: 41 lb.ft (55 Nm)



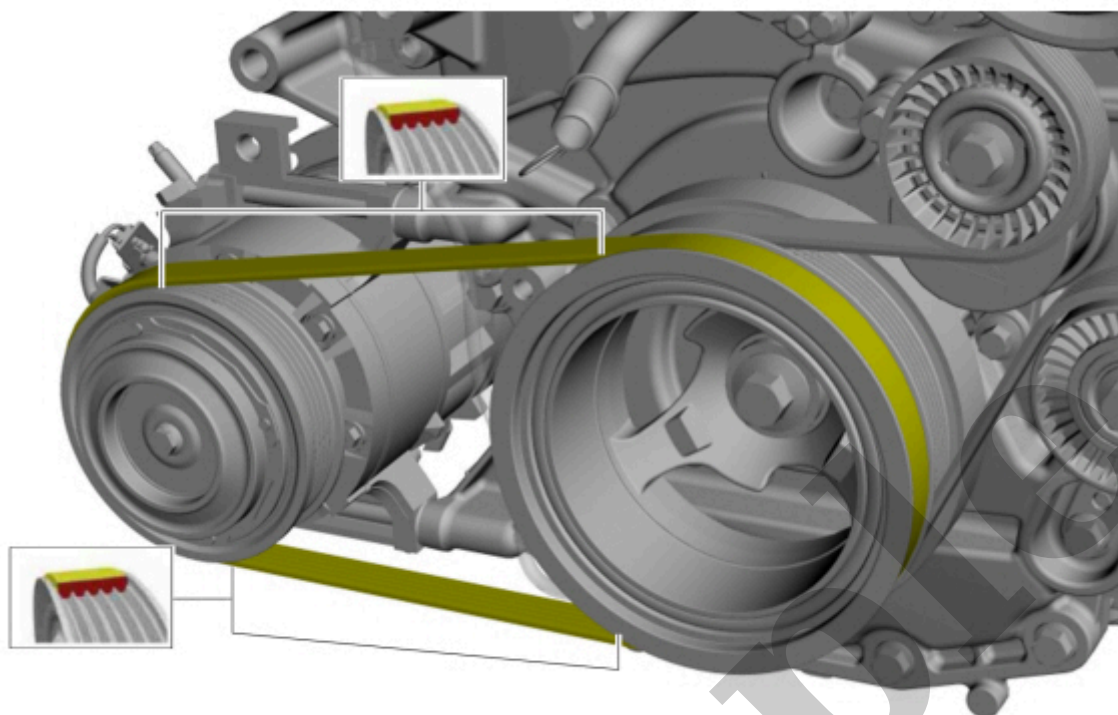
[Click here to learn about symbols, color coding, and icons used in this manual.](#)

3. Cut the A/C (air conditioning) compressor belt.

Use the General Equipment: Knife

[Click here to learn about symbols, color coding, and icons used in this manual.](#)

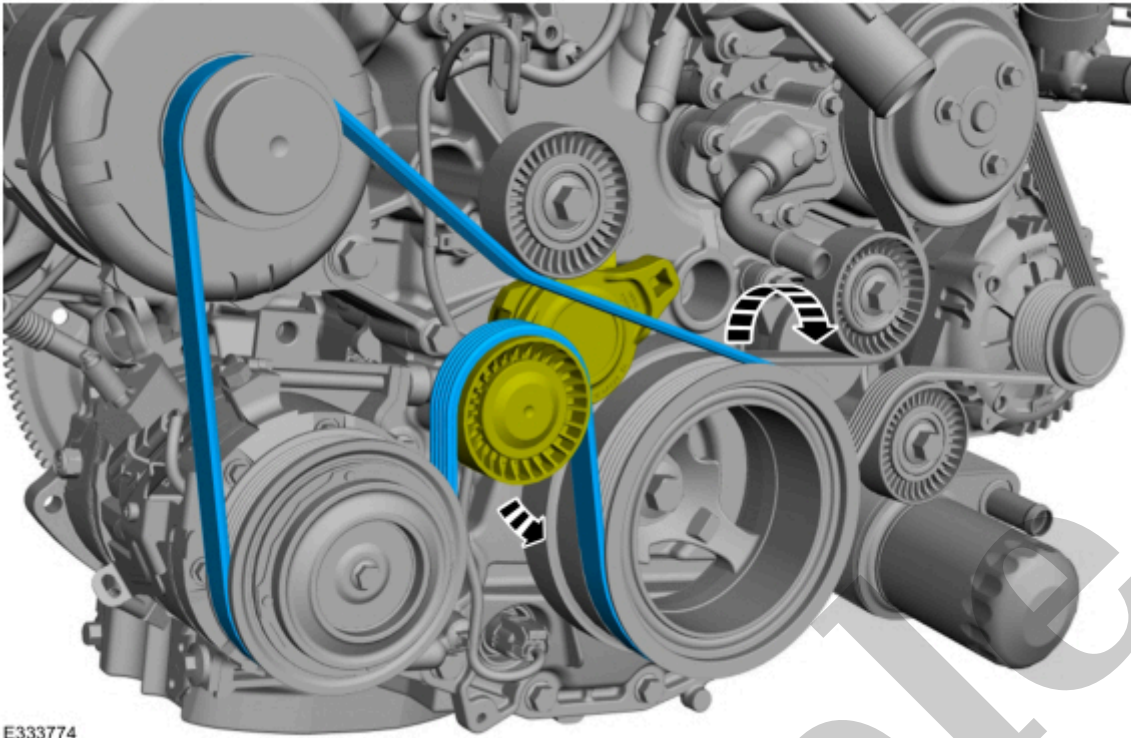
2. Make sure the accessory drive belt is correctly seated on all the pulleys.



E343846

[Click here to learn about symbols, color coding, and icons used in this manual.](#)

Copyright © Ford Motor Company

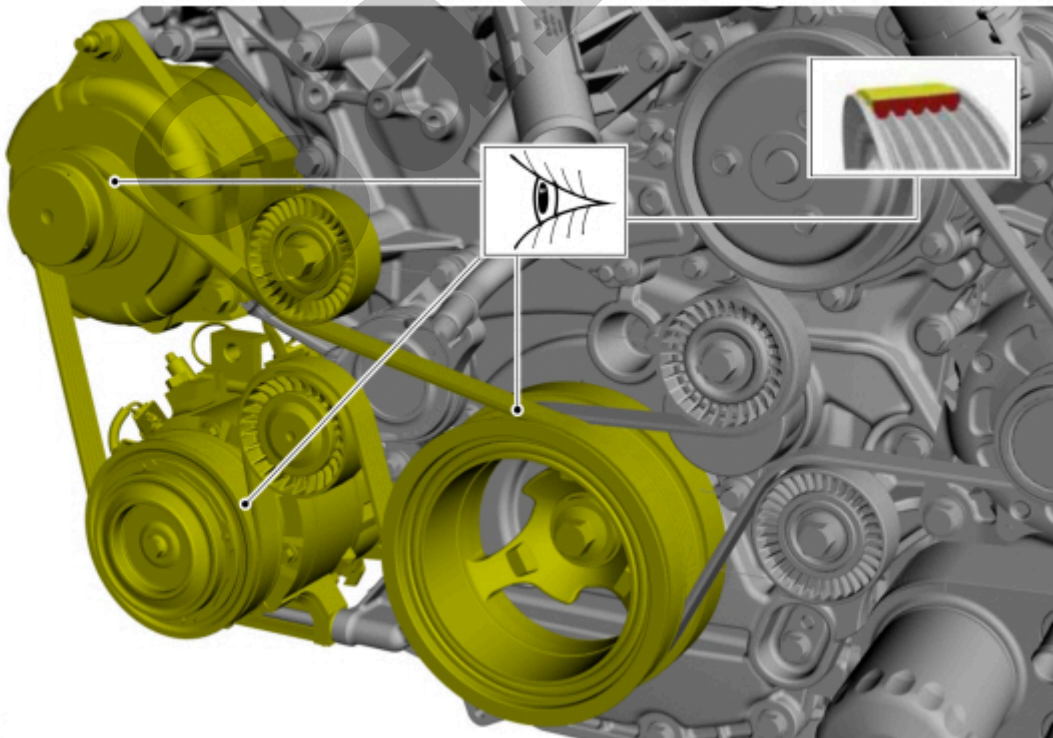


E333774

[Click here to learn about symbols, color coding, and icons used in this manual.](#)

Installation

1. After installation, make sure the A/C (air conditioning) compressor drive belt is correctly seated on all pulleys.



E333775

Air Conditioning (A/C) Compressor Belt Idler Pulley - Vehicles With: Dual Generators

<i>303-05C Accessory Drive - 3.5L EcoBoost (BM)</i>	<i>2022 F-150</i>
<i>Removal and Installation</i>	<i>Procedure revision date: 09/1/2020</i>

Air Conditioning (A/C) Compressor Belt Idler Pulley - Vehicles With: Dual Generators

Removal

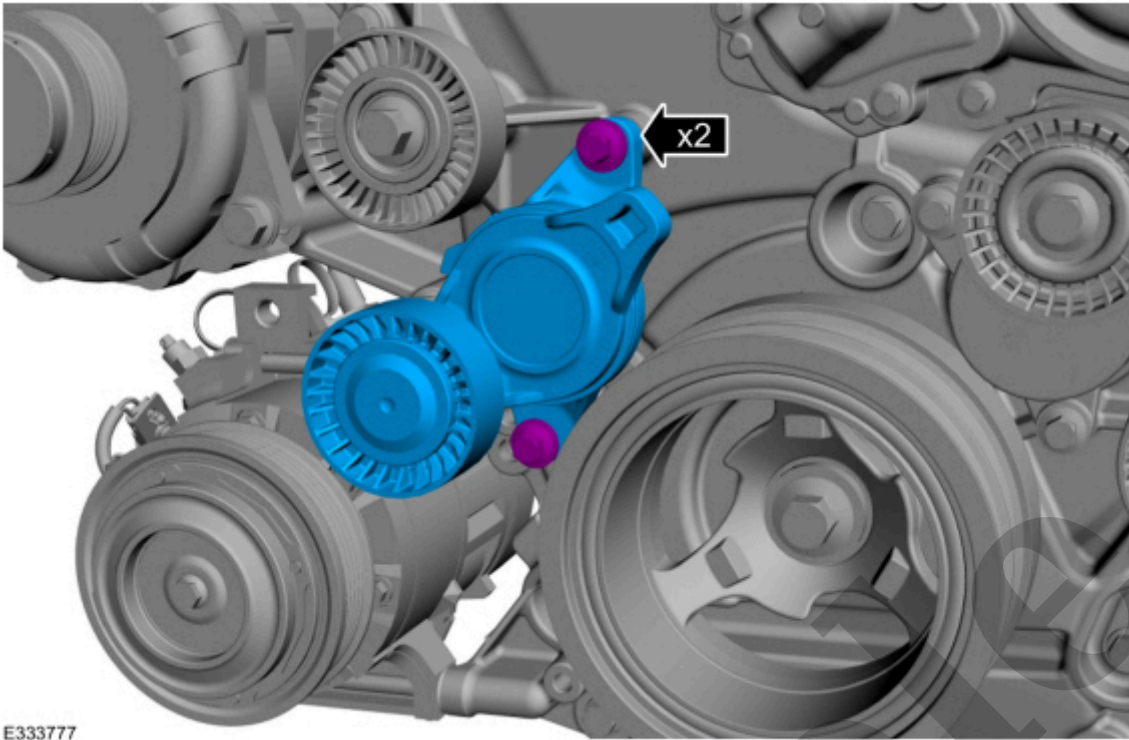
1. Remove the A/C (air conditioning) compressor belt.

Refer to: [Air Conditioning \(A/C\) Compressor Belt - Vehicles With: Dual Generators](#)(303-05C Accessory Drive - 3.5L EcoBoost (BM), Removal and Installation).

2. Remove the bolts and remove the A/C (air conditioning) Compressor Belt idler pulley.

Torque : 18 lb.ft (25 Nm)

Sample

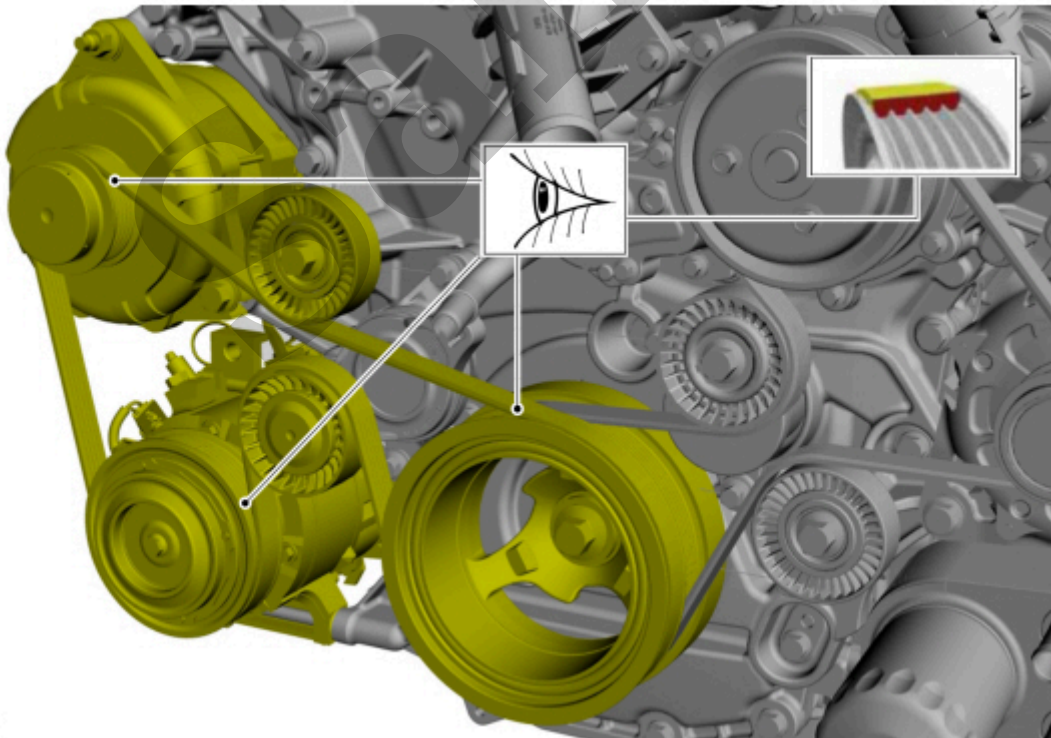


E333777

[Click here to learn about symbols, color coding, and icons used in this manual.](#)

Installation

1. After installation, make sure the A/C compressor belt is correctly seated on all pulleys.



E333775

[Click here to learn about symbols, color coding, and icons used in this manual.](#)