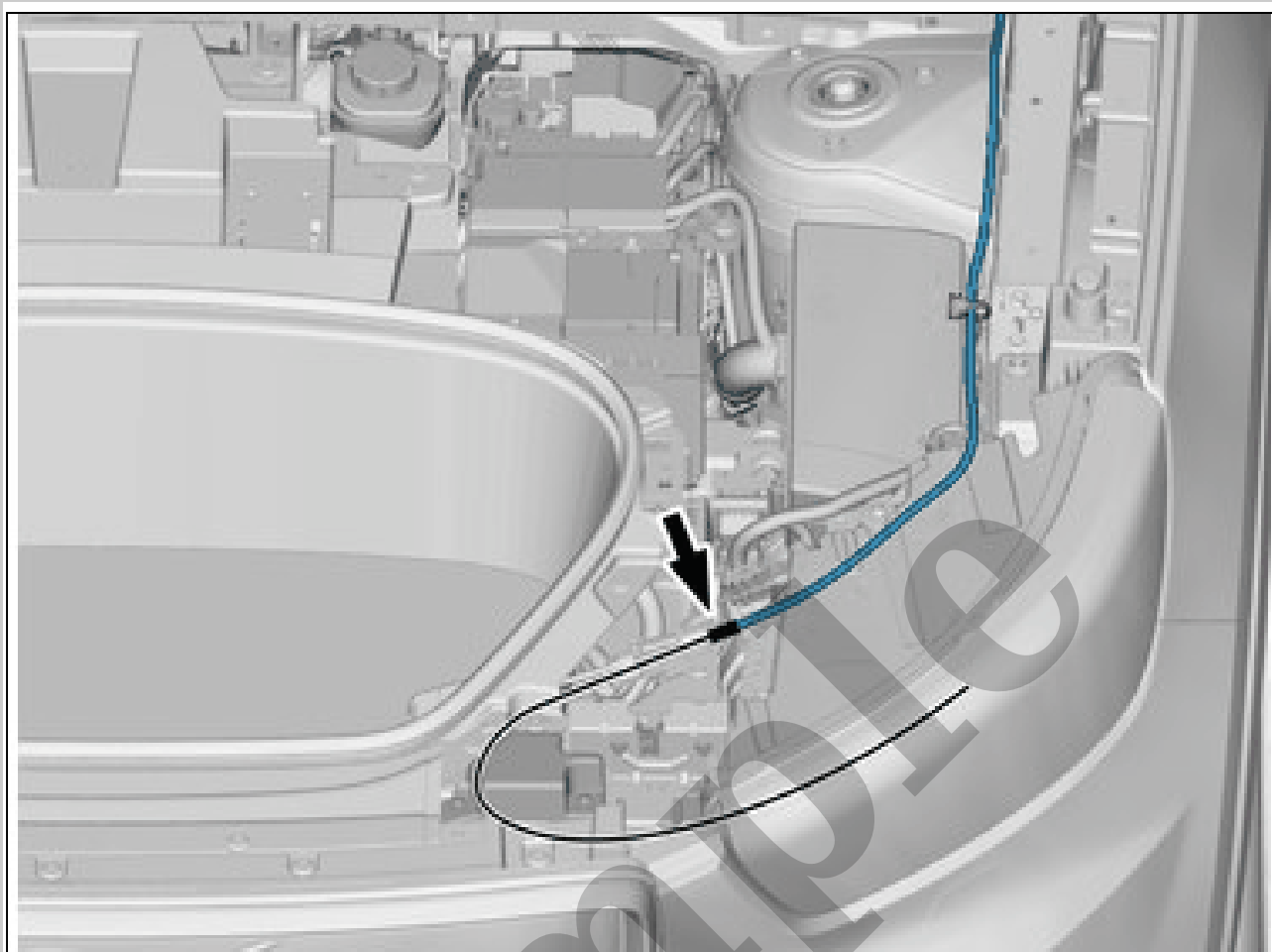


Your Ultimate Source for OEM Repair Manuals

FactoryManuals.net is a great resource for anyone who wants to save money on repairs by doing their own work. The manuals provide detailed instructions and diagrams that make it easy to understand how to fix a vehicle.

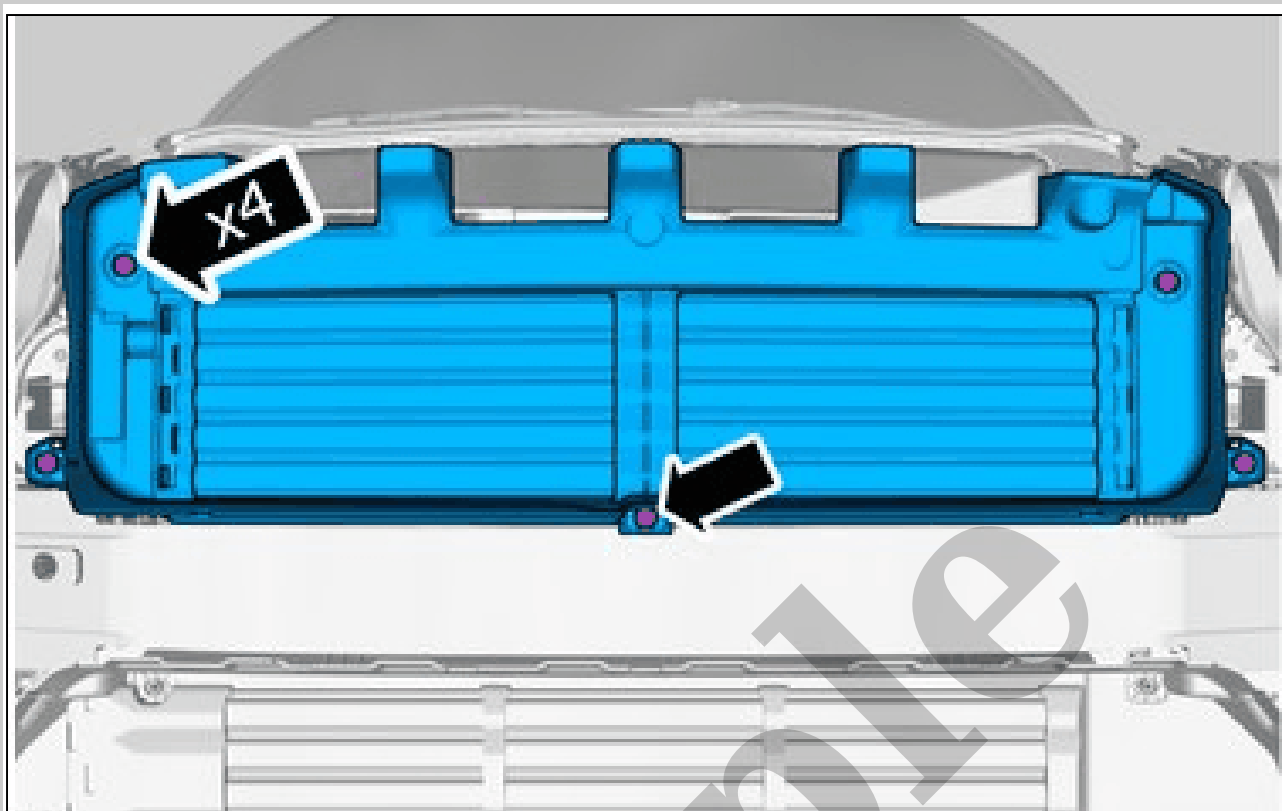
2015 Volvo XC70 Service and Repair Manual

[Go to manual page](#)



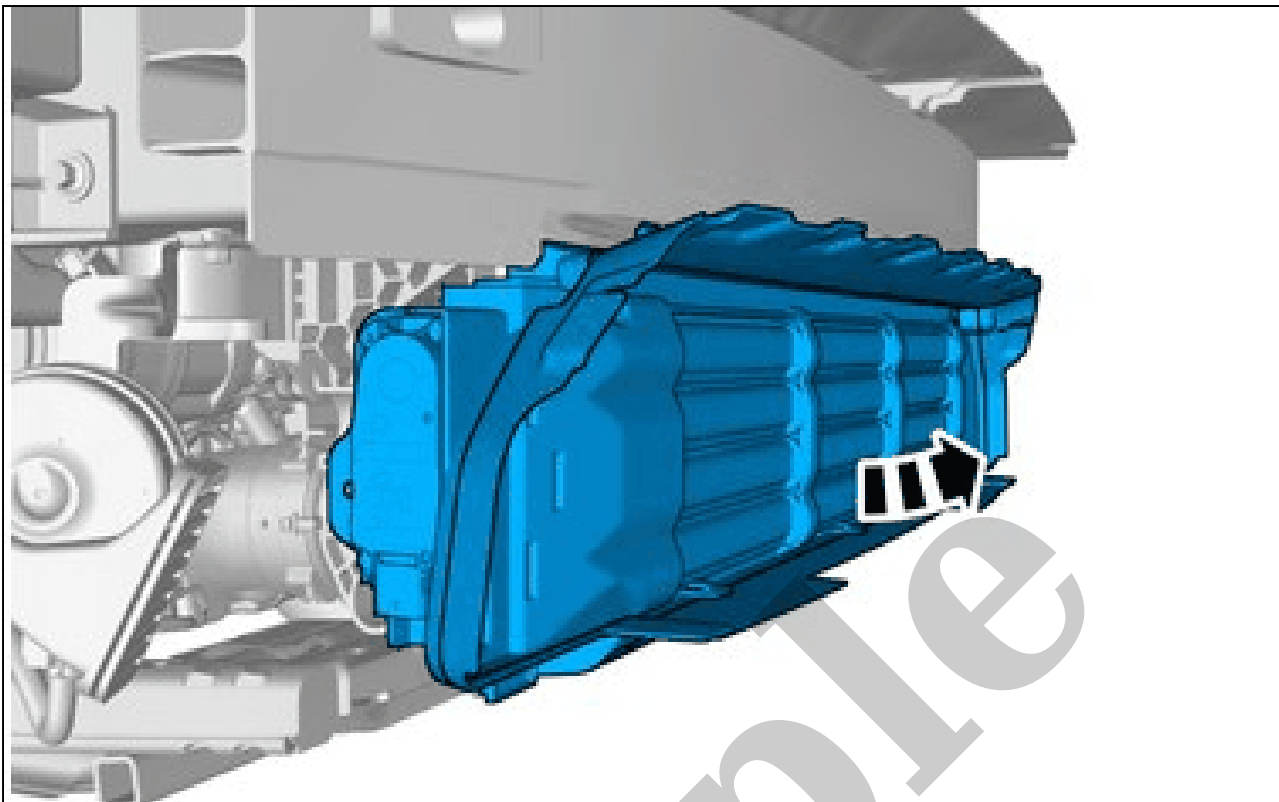
Courtesy of VOLVO CARS CORPORATION

Attach a suitable draw cord to the hood latch cable.



Courtesy of VOLVO CARS CORPORATION

Torque: M6, 10Nm
Remove the screws.
Remove the clip.



Courtesy of VOLVO CARS CORPORATION

Remove the marked part.

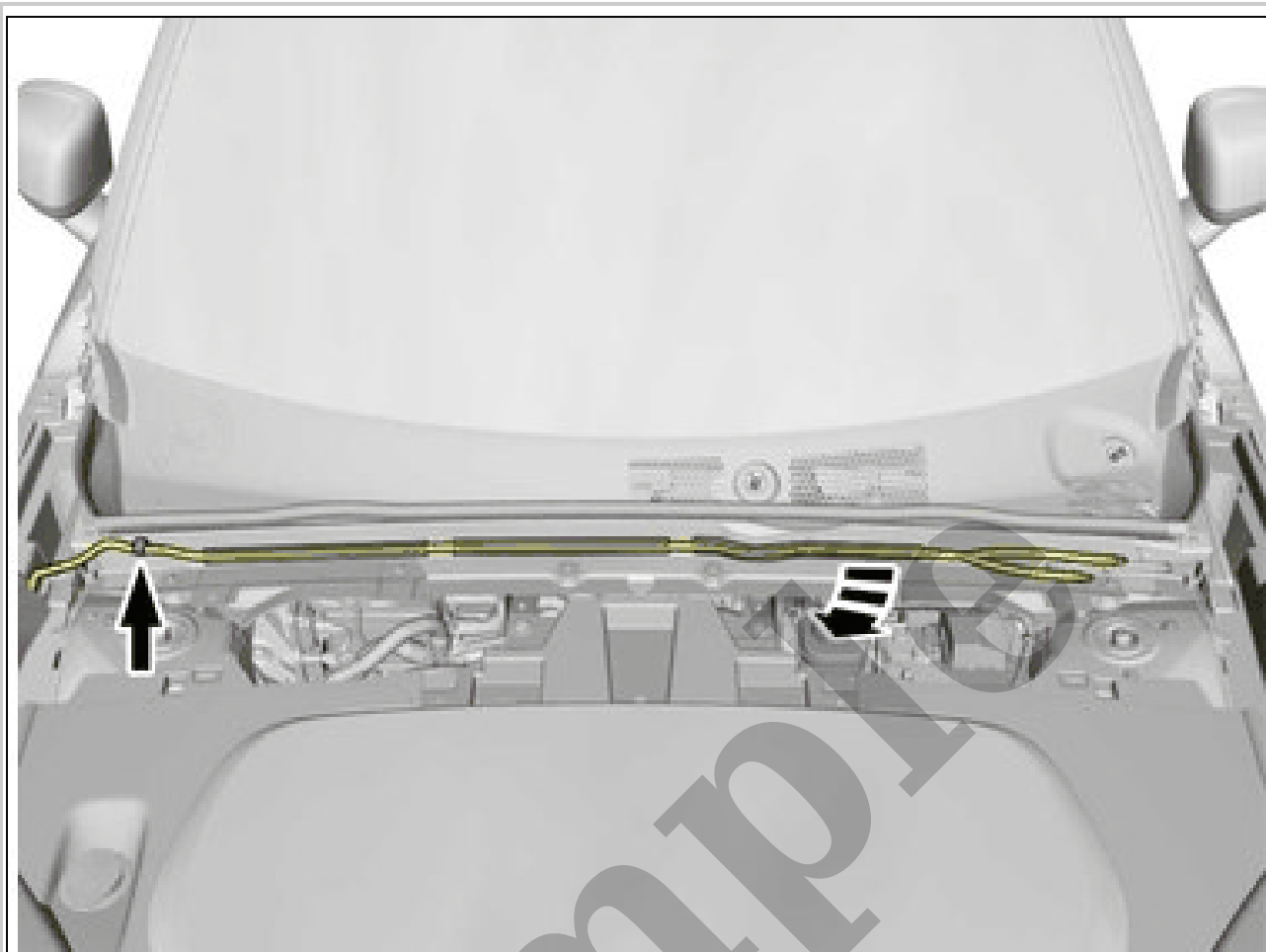
ACTIVE SPOILER SHUTTER > ACTIVE SPOILER SHUTTER [2018-2022] > INSTALLATION

To install, reverse the removal procedure.

PLENUM COVER > PLENUM COVER [2018-2021 | 2021-2022, B4204T18; B4204T47] > REMOVAL

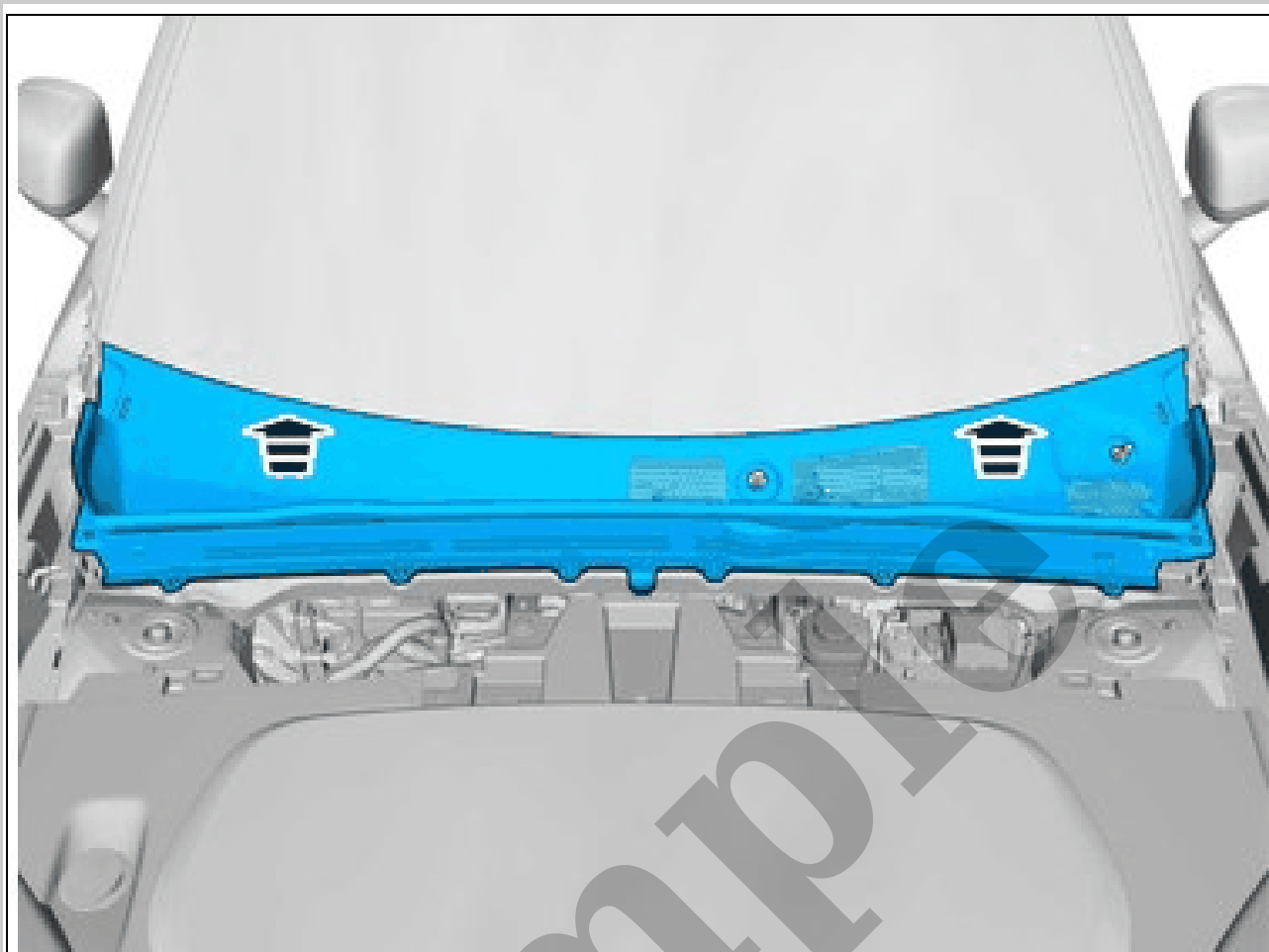
NOTE: *Removal steps in this procedure may contain installation details.*

Remove the wiper arm. Refer to: WIPER ARM



Courtesy of VOLVO CARS CORPORATION

Loosen the marked details from the clip/clips.
Fold marked part aside.



Courtesy of VOLVO CARS CORPORATION

Remove the marked part.

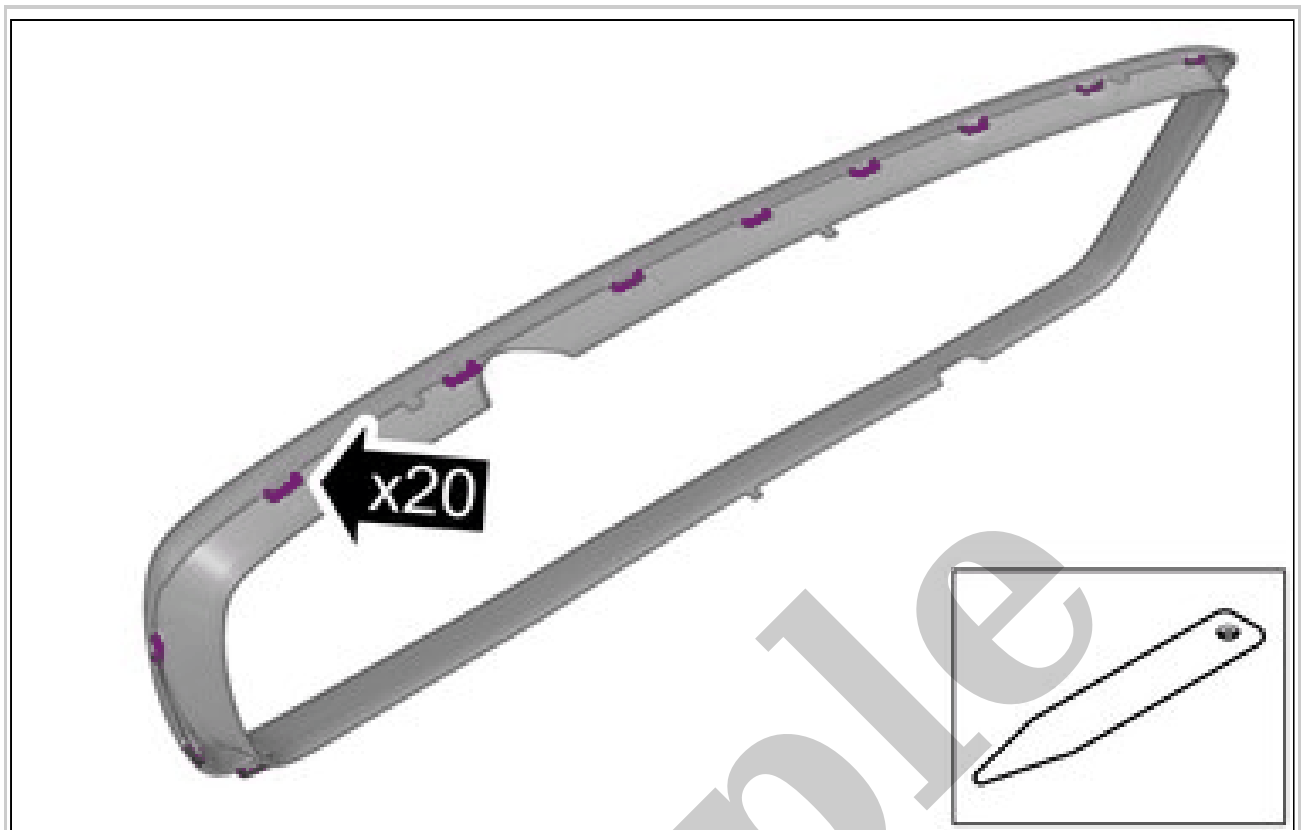
PLENUM COVER > PLENUM COVER [2021-2022, E400V6] > INSTALLATION

To install, reverse the removal procedure.

RADIATOR GRILLE > RADIATOR GRILLE [2018-2021 | 2022, B4204T18; B4204T47] > REMOVAL AND INSTALLATION

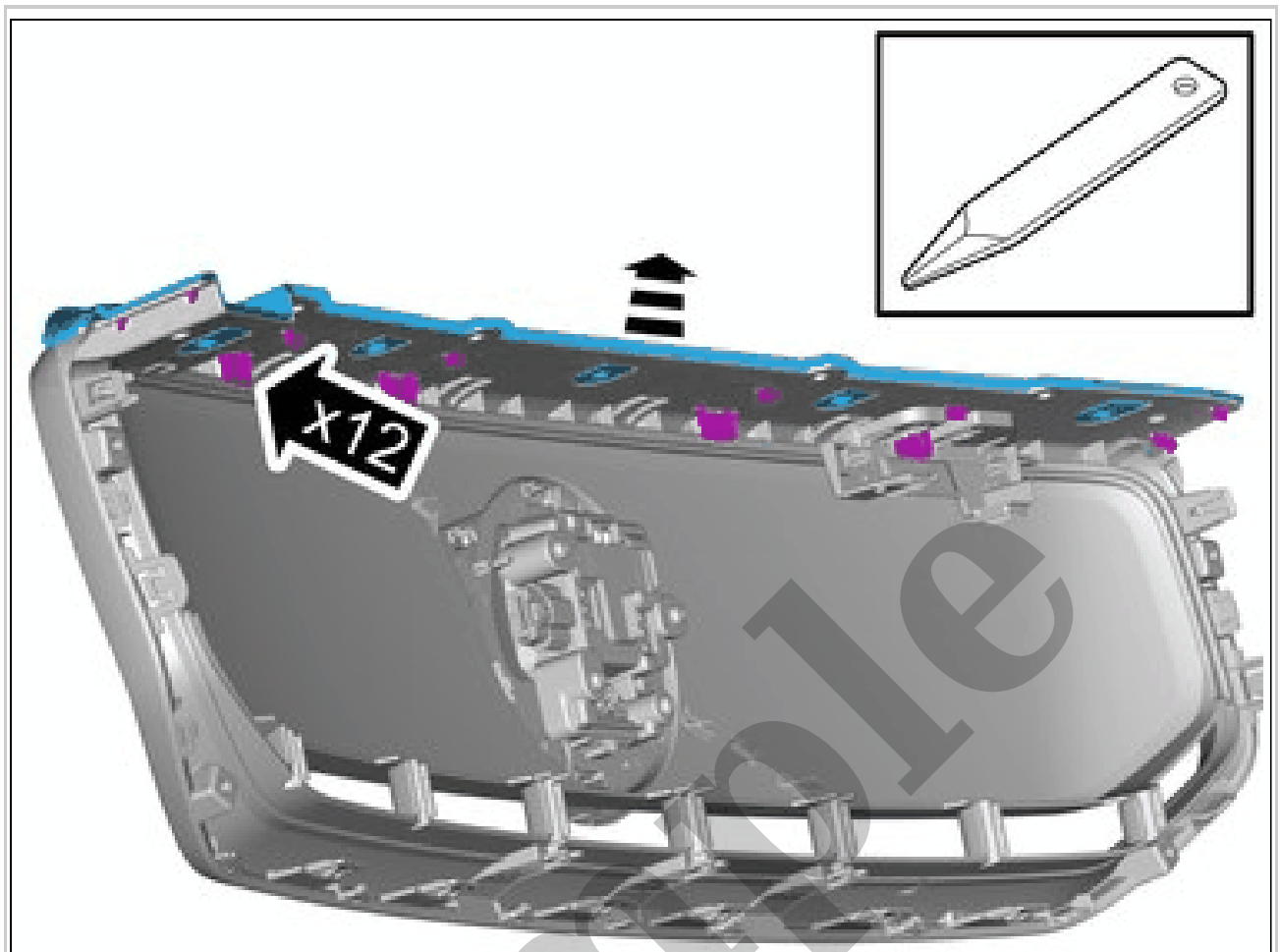
REMOVAL

Remove casing bumper front. Refer to: COVER BUMPER FRONT



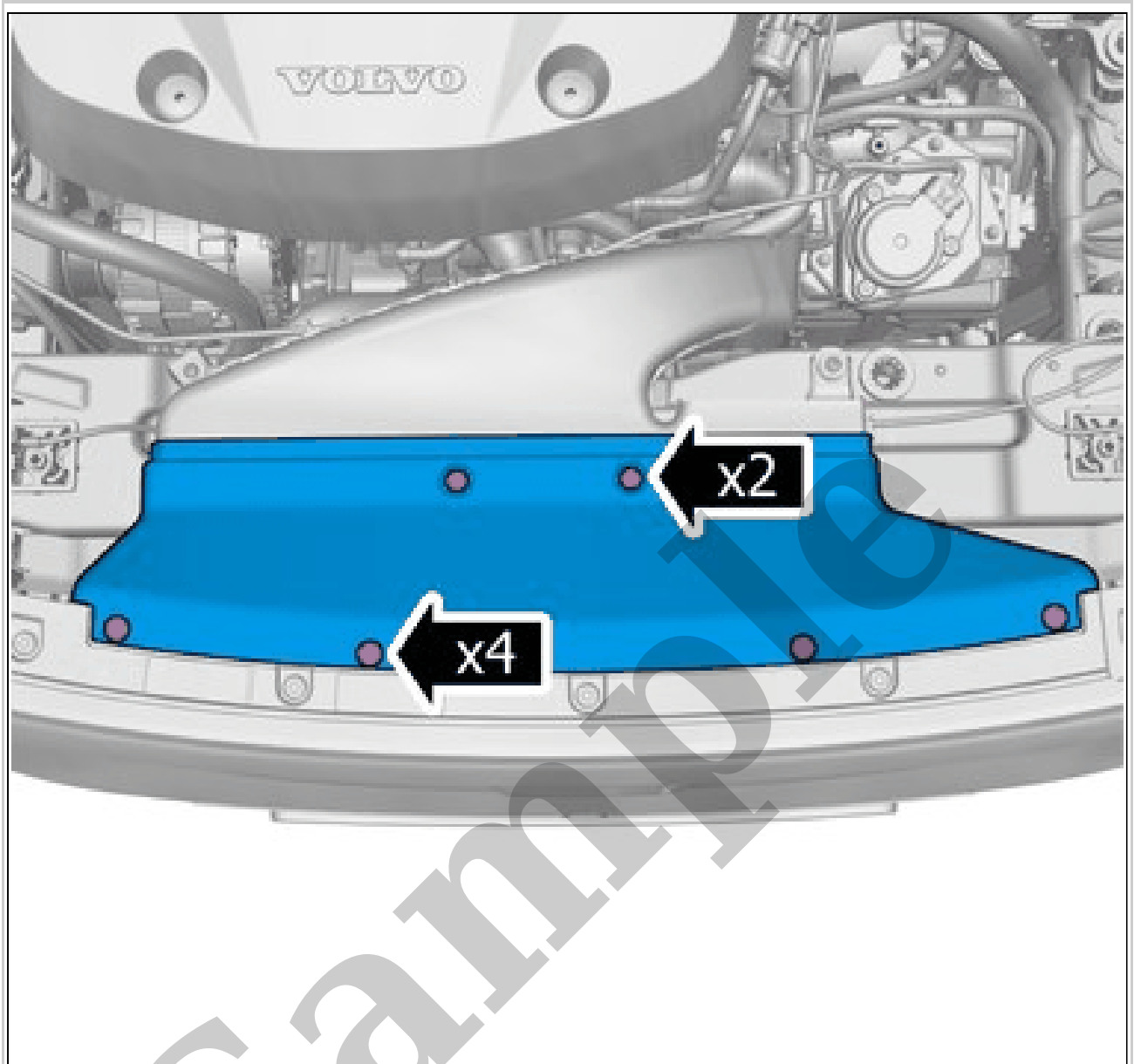
Courtesy of VOLVO CARS CORPORATION

NOTE: The graphic shows the back of the component before removal.



Courtesy of VOLVO CARS CORPORATION

Release the catches.
Remove the marked part.

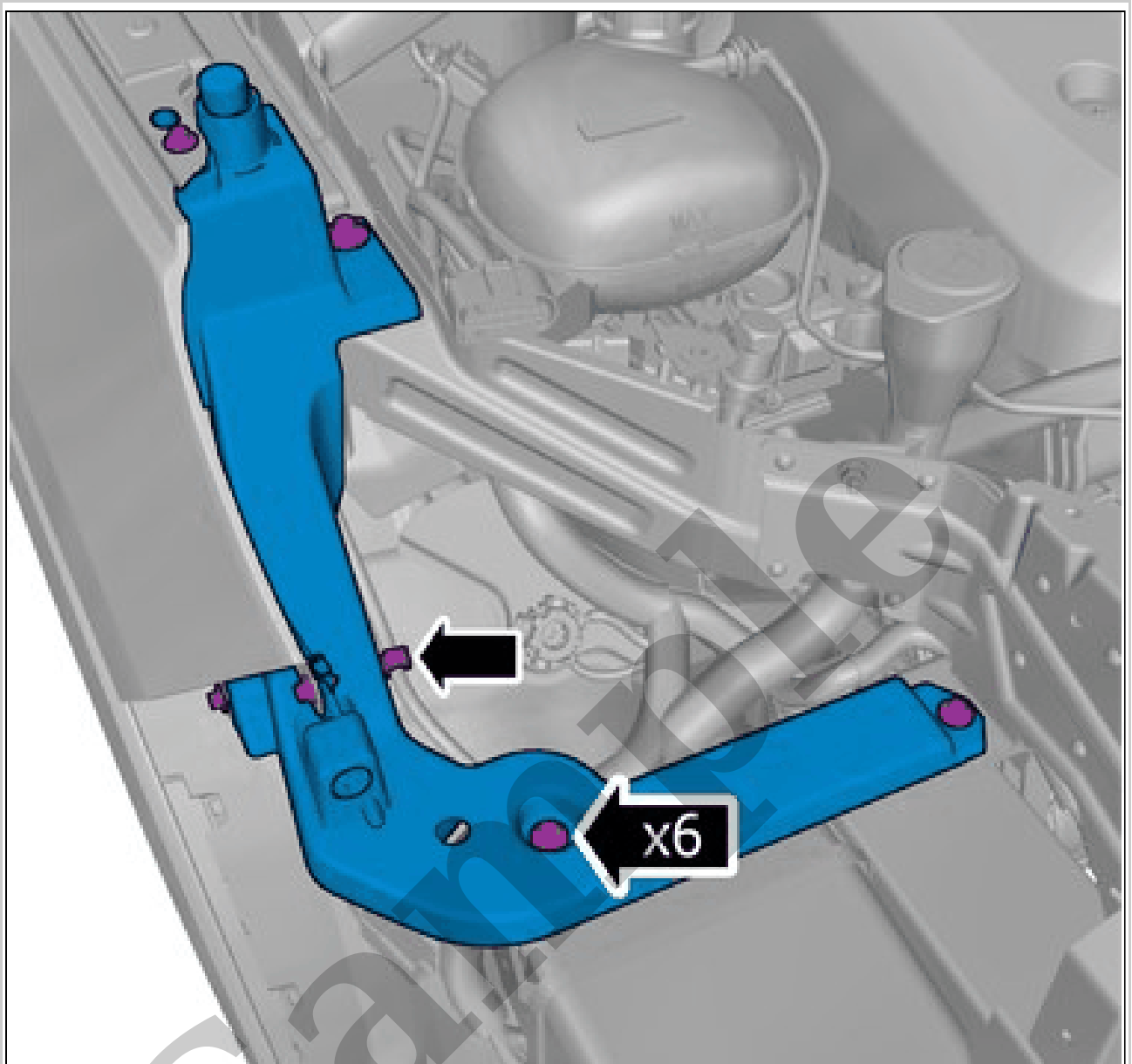


Courtesy of VOLVO CARS CORPORATION

Remove the clips.

Remove the marked part.

Remove the air filter housing. Refer to: AIR CLEANER HOUSING



Courtesy of VOLVO CARS CORPORATION

- Remove the screws.
- Remove the clip.
- Remove the marked part.
- On both sides.
- Torque:** M6, 10Nm