

Your Ultimate Source for OEM Repair Manuals

FactoryManuals.net is a great resource for anyone who wants to save money on repairs by doing their own work. The manuals provide detailed instructions and diagrams that make it easy to understand how to fix a vehicle.

Volvo XC60 2015 Manual - Service & Repair Guide

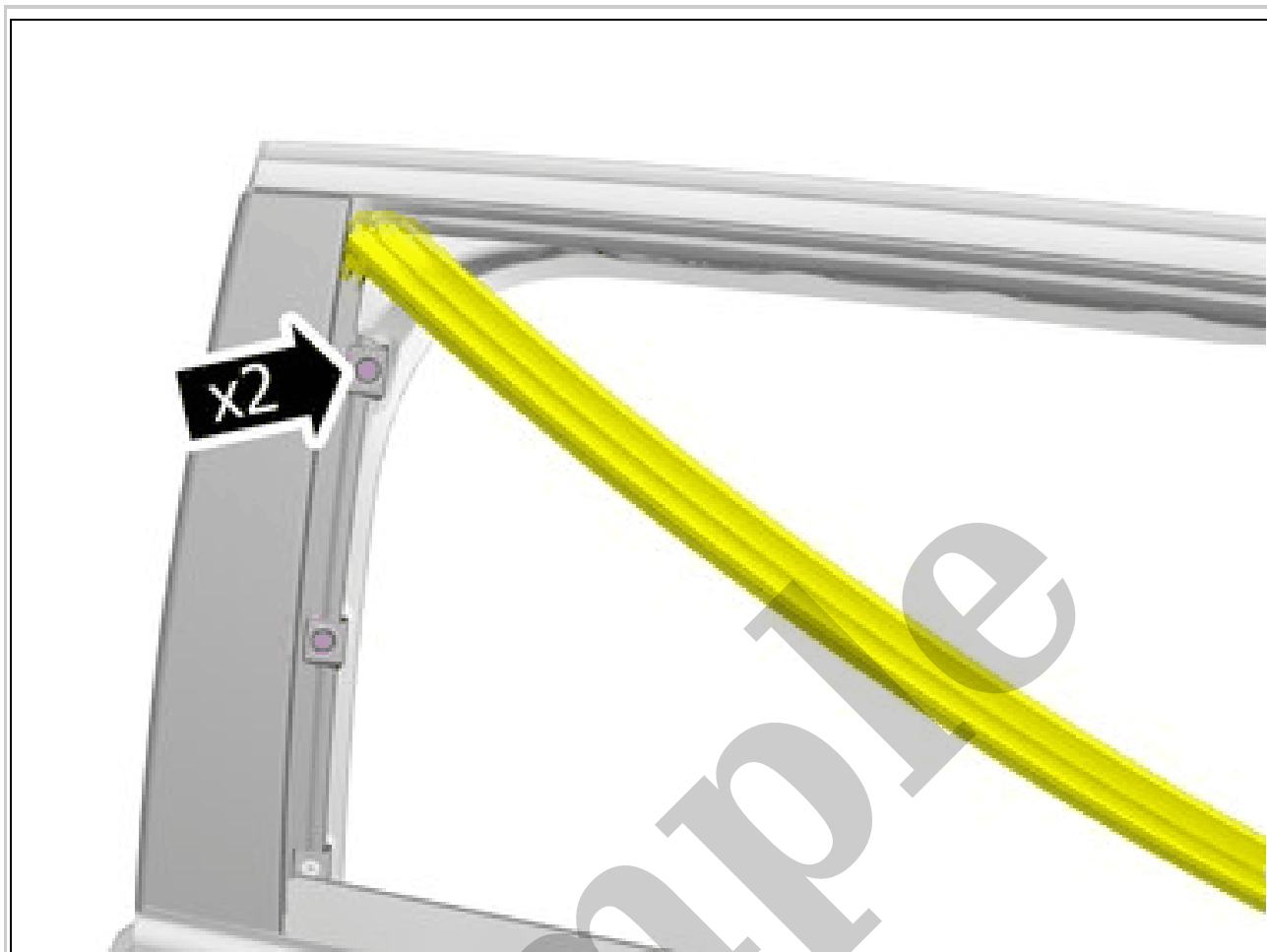
[Go to manual page](#)

NOTE: Removal steps in this procedure may contain installation details.



Courtesy of VOLVO CARS CORPORATION

Remove panel side door rear. Refer to: PANEL REAR DOOR



Courtesy of VOLVO CARS CORPORATION

Remove the screws.

SEAL STRIP SIDE DOOR REAR > SEAL STRIP SIDE DOOR REAR [2018-2022] > INSTALLATION

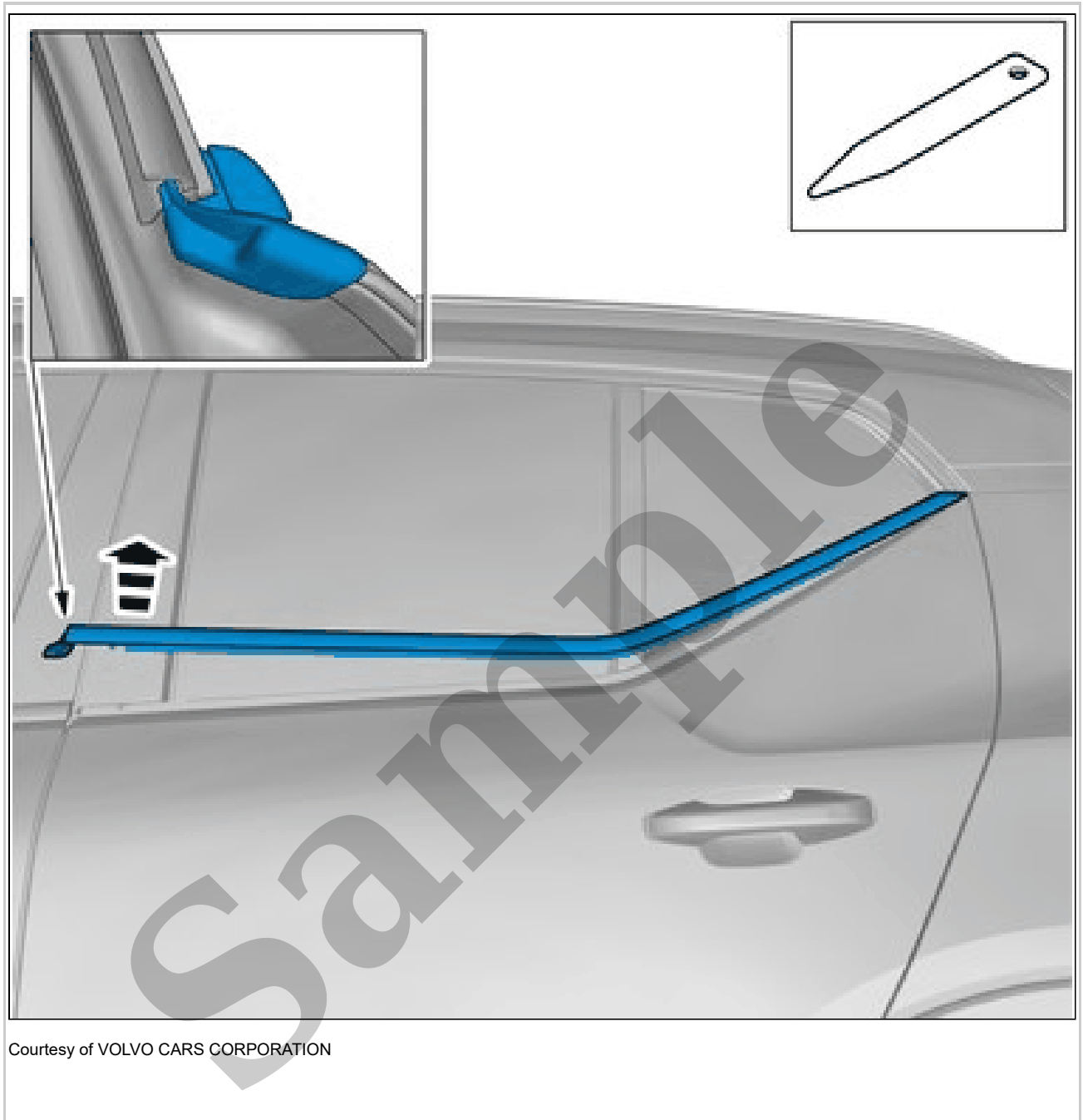
See information about components with double-sided adhesive tape. Refer to: COMPONENTS WITH DOUBLE-SIDED TAPE

CAUTION: *Make sure that the surface is at a minimum temperature of 20°C.*

NOTE: *Make sure that the mating faces are clean and free of foreign material.*

Sample

**WEATHERSTRIP, DOOR WINDOW, REAR > WEATHERSTRIP, DOOR WINDOW, REAR
[2018-2022] > REMOVAL**



CAUTION: *Make sure that the component is not bent.*

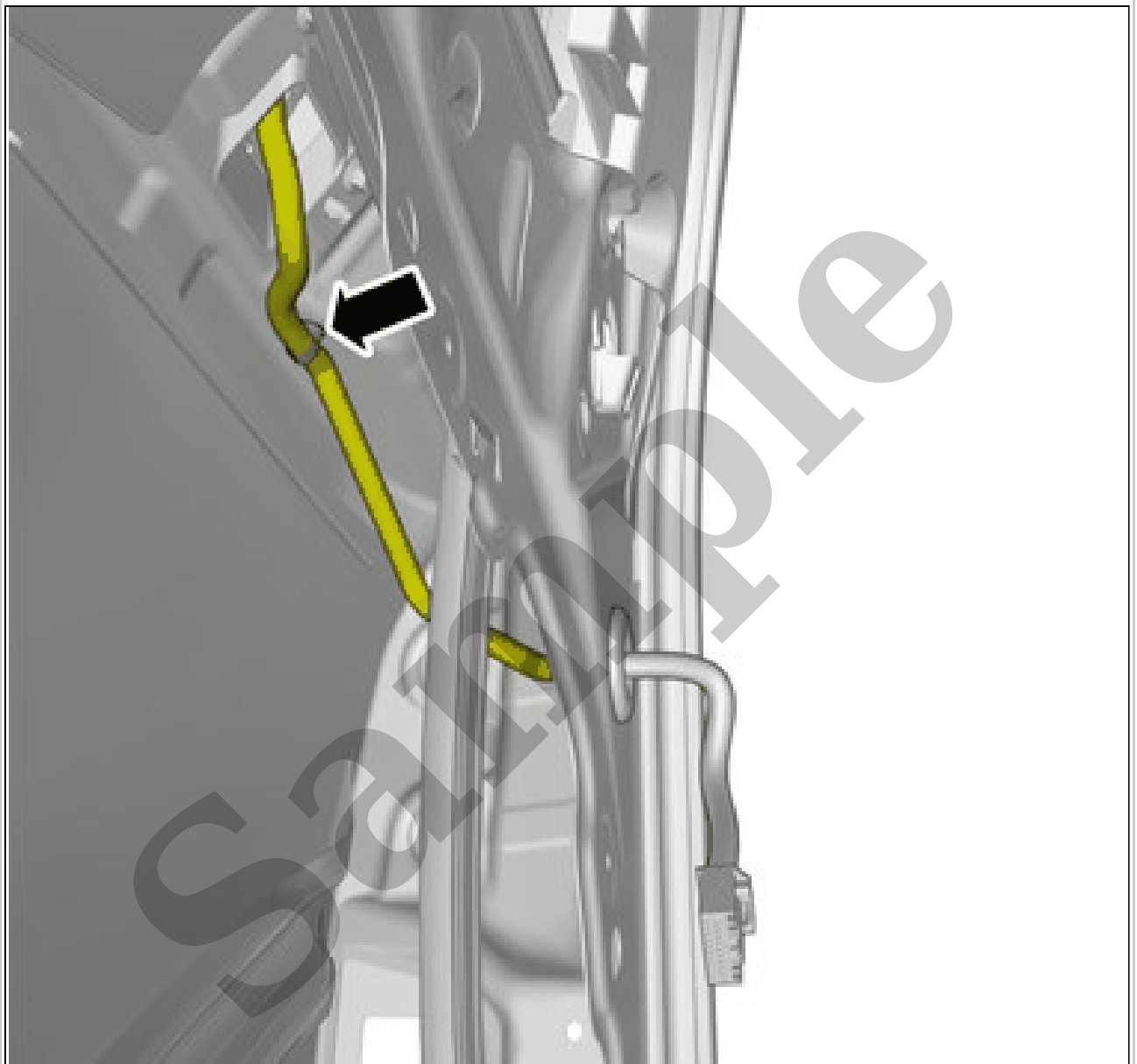
Remove the marked part.

Use: Interior trim remover

**WEATHERSTRIP, DOOR WINDOW, REAR > WEATHERSTRIP, DOOR WINDOW, REAR
[2018-2022] > INSTALLATION**

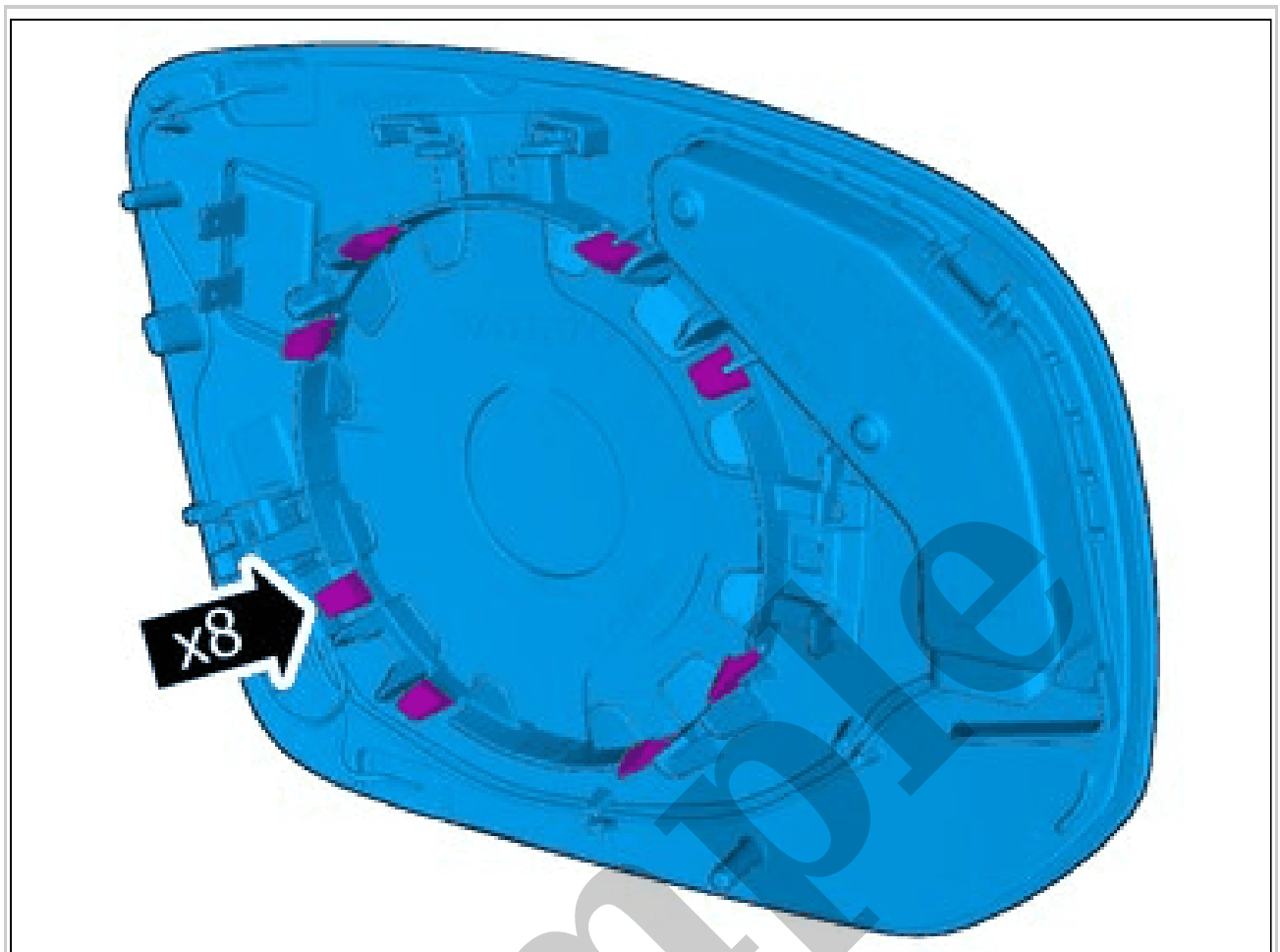
NOTE: Removal steps in this procedure may contain installation details.

Remove power window lift mechanism side door front. Refer to: LIFT MECHANISM, FRONT DOOR



Courtesy of VOLVO CARS CORPORATION

Unhook the cable harness clips.



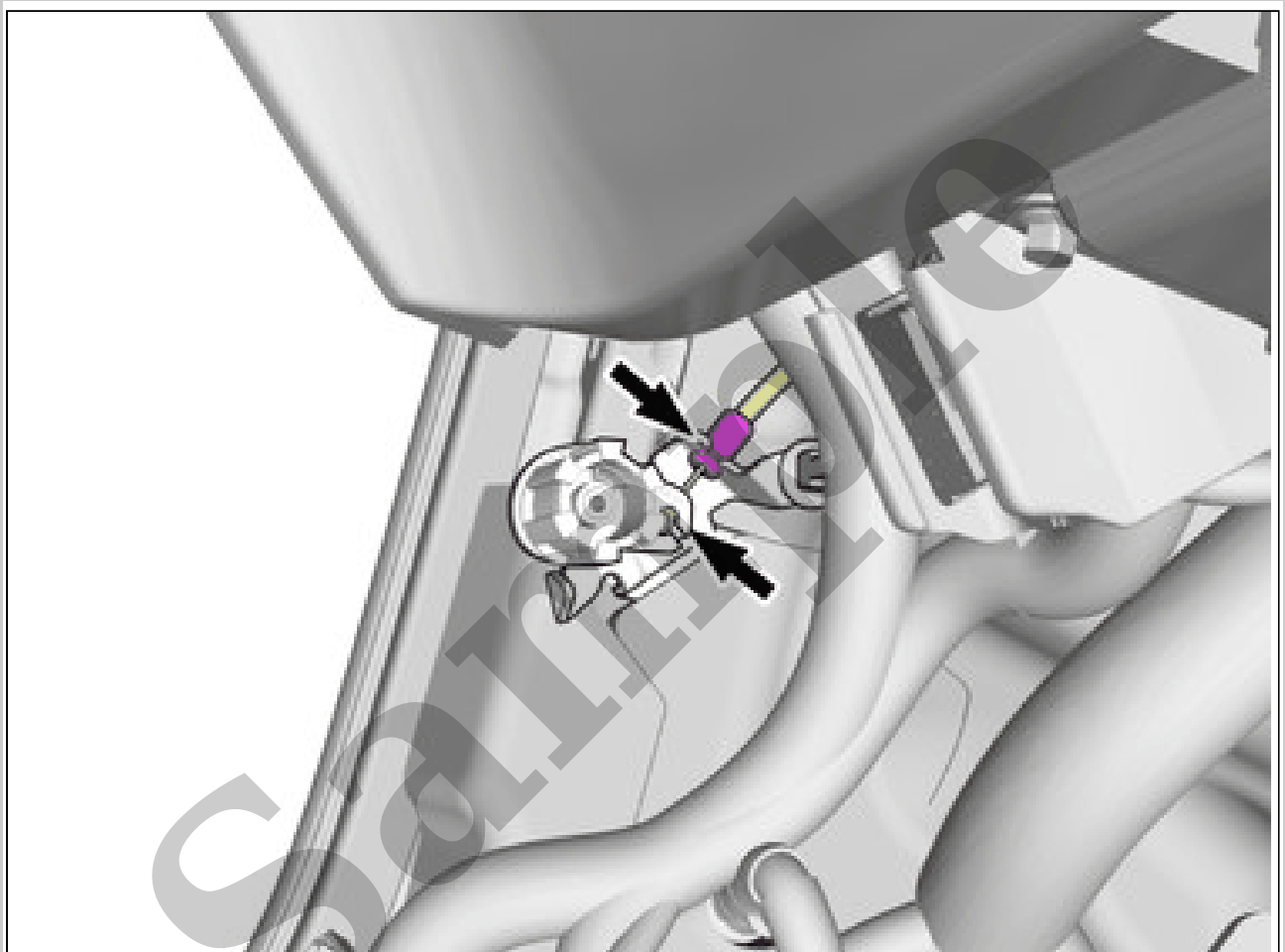
Courtesy of VOLVO CARS CORPORATION

The graphic shows the back of the component.

CONTROL LOCK ENGINE HOOD > CONTROL LOCK ENGINE HOOD [2021-2022, E400V6] > REMOVAL

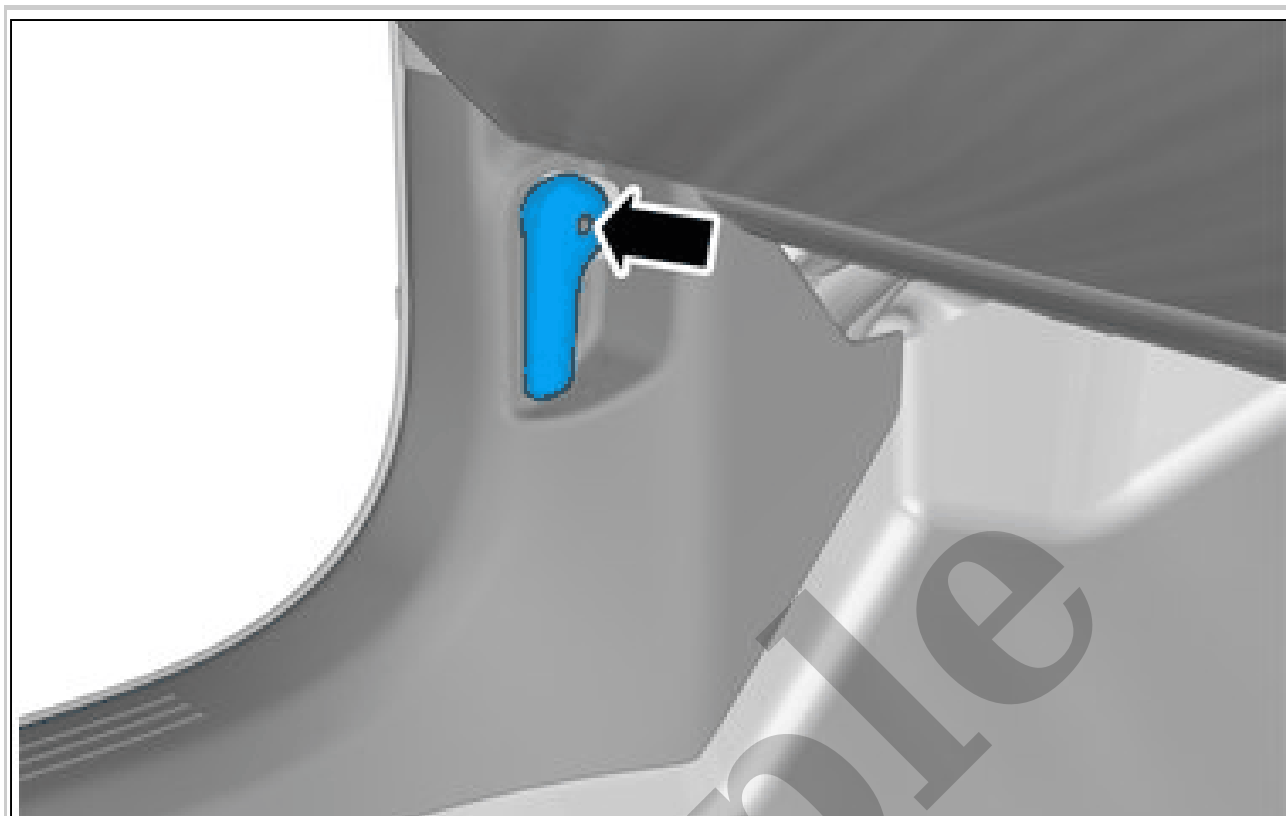
NOTE: Removal steps in this procedure may contain installation details.

Remove sill molding front. Refer to: FRONT SILL MOLDING



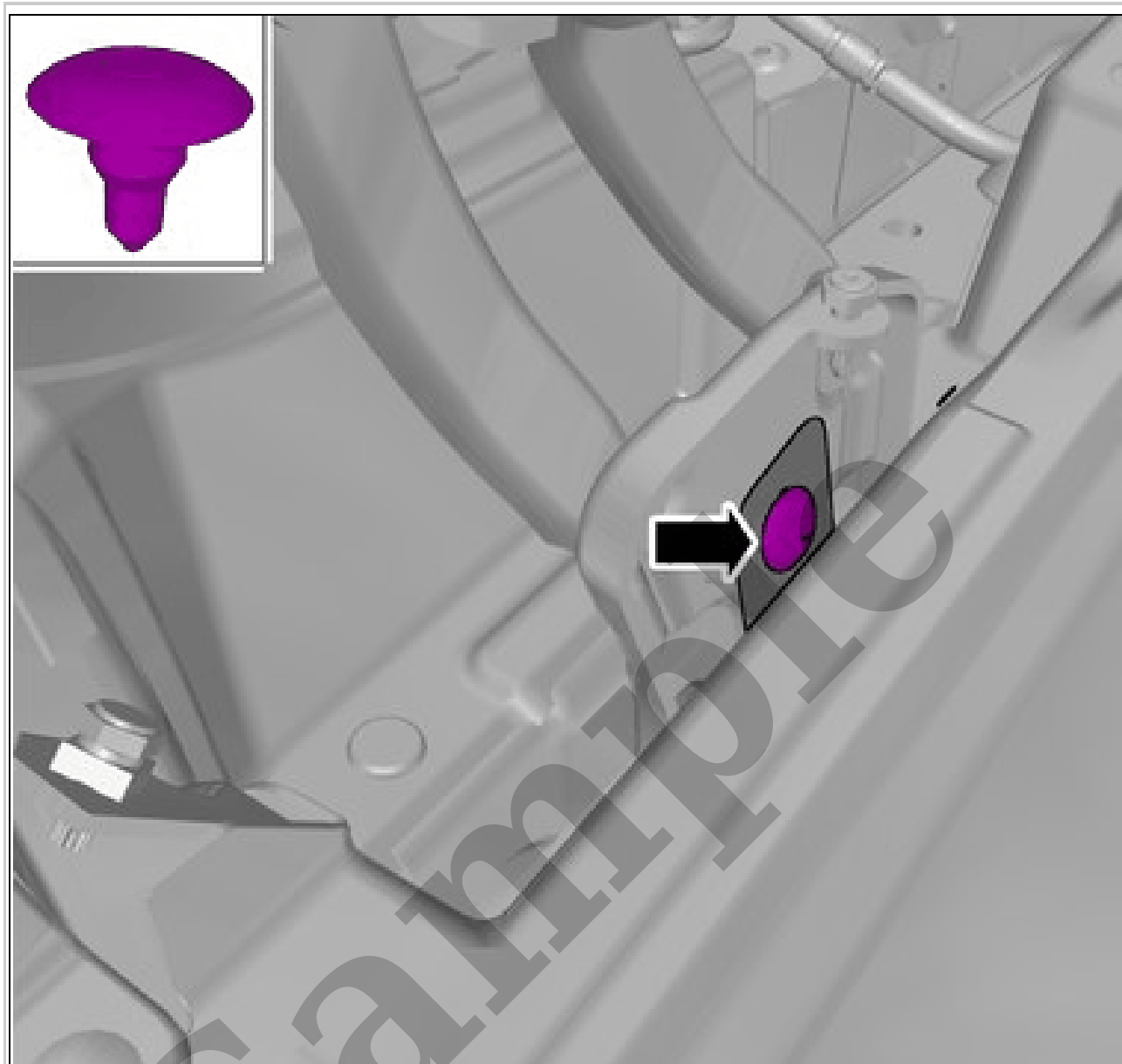
Courtesy of VOLVO CARS CORPORATION

Release the cable.



Courtesy of VOLVO CARS CORPORATION

Remove the screw.
Remove the marked part.



Courtesy of VOLVO CARS CORPORATION

Remove the clip.

Follow instructions for lifting points body frame. Refer to: JACKING POINTS BODY