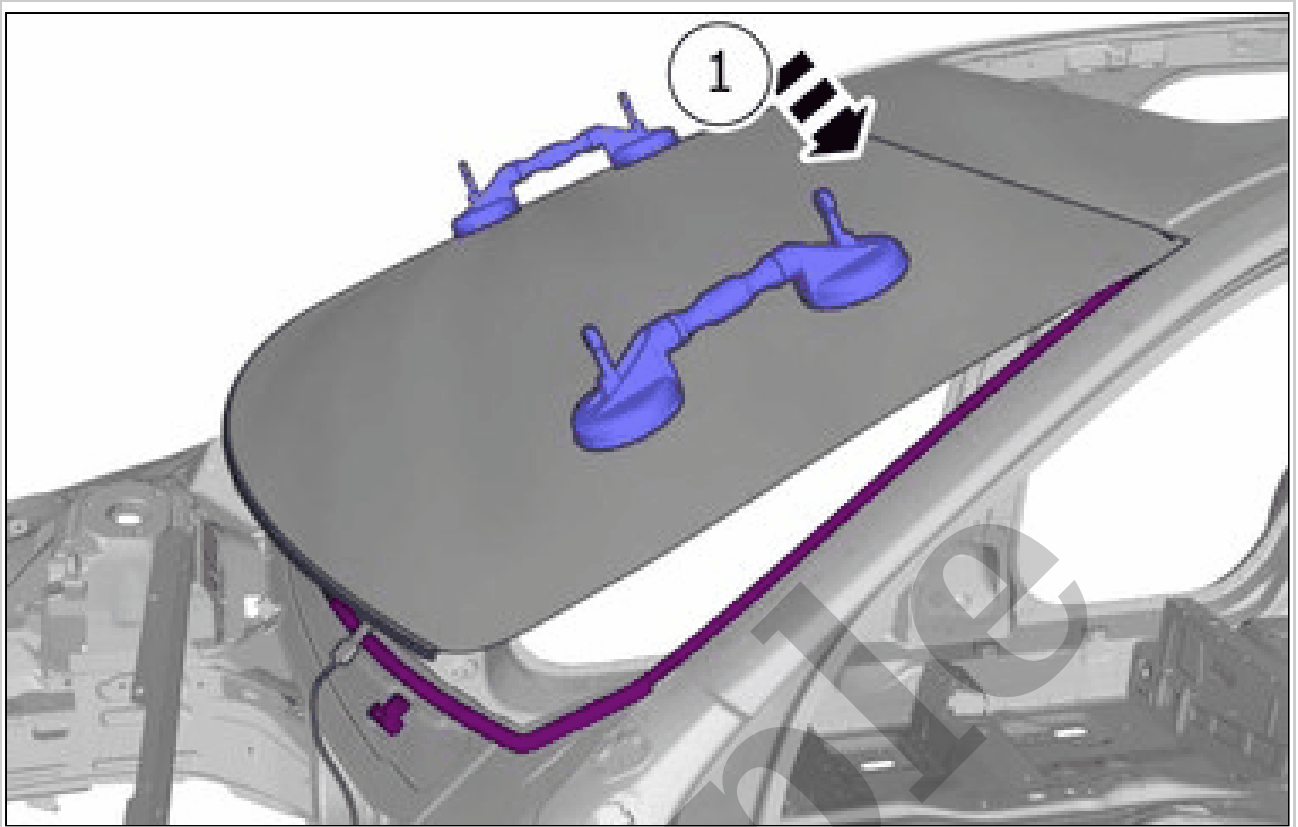


# Your Ultimate Source for OEM Repair Manuals

FactoryManuals.net is a great resource for anyone who wants to save money on repairs by doing their own work. The manuals provide detailed instructions and diagrams that make it easy to understand how to fix a vehicle.

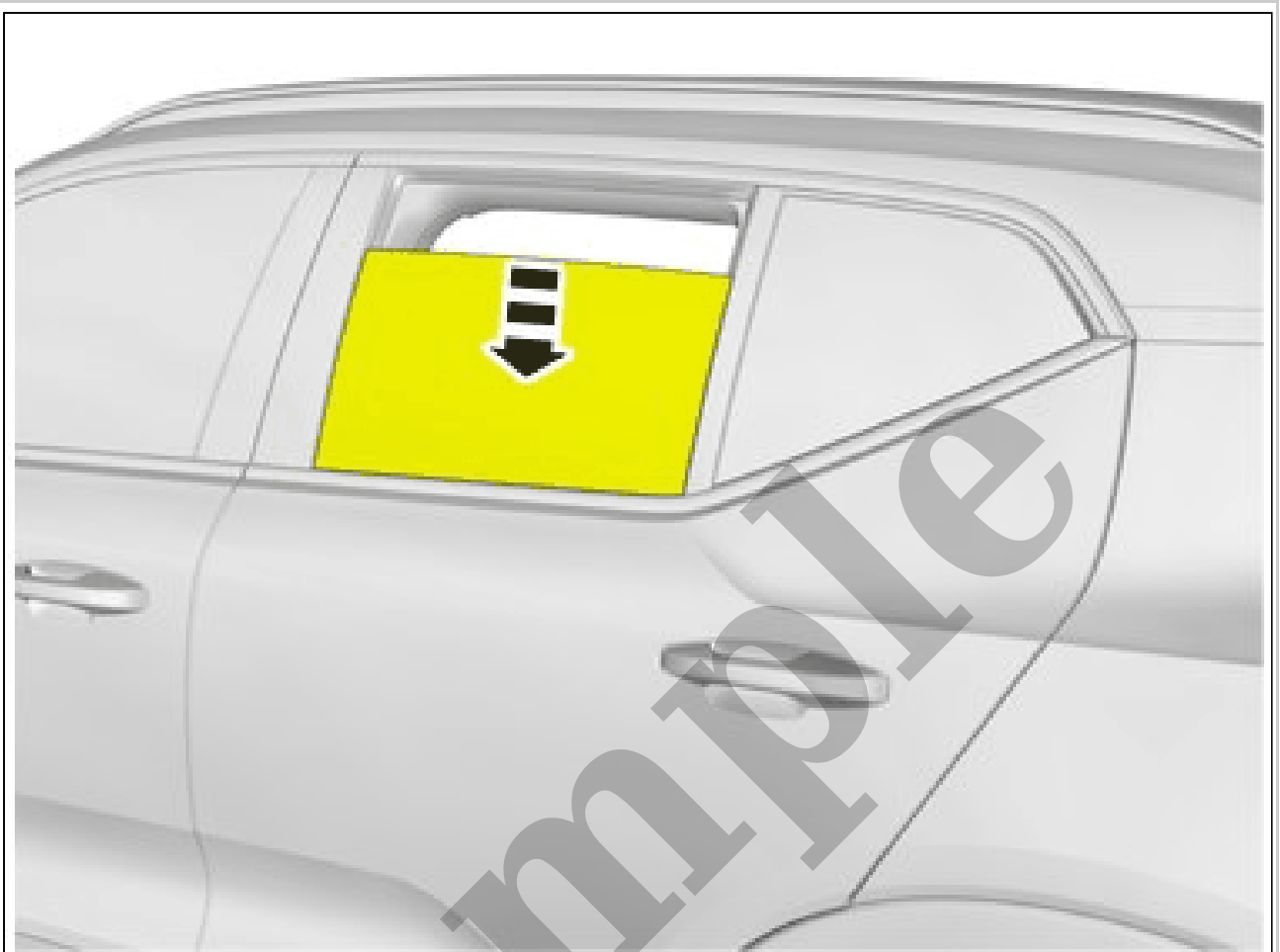
## 2015 VOLVO XC60 OEM Service and Repair Workshop Manual

[Go to manual page](#)



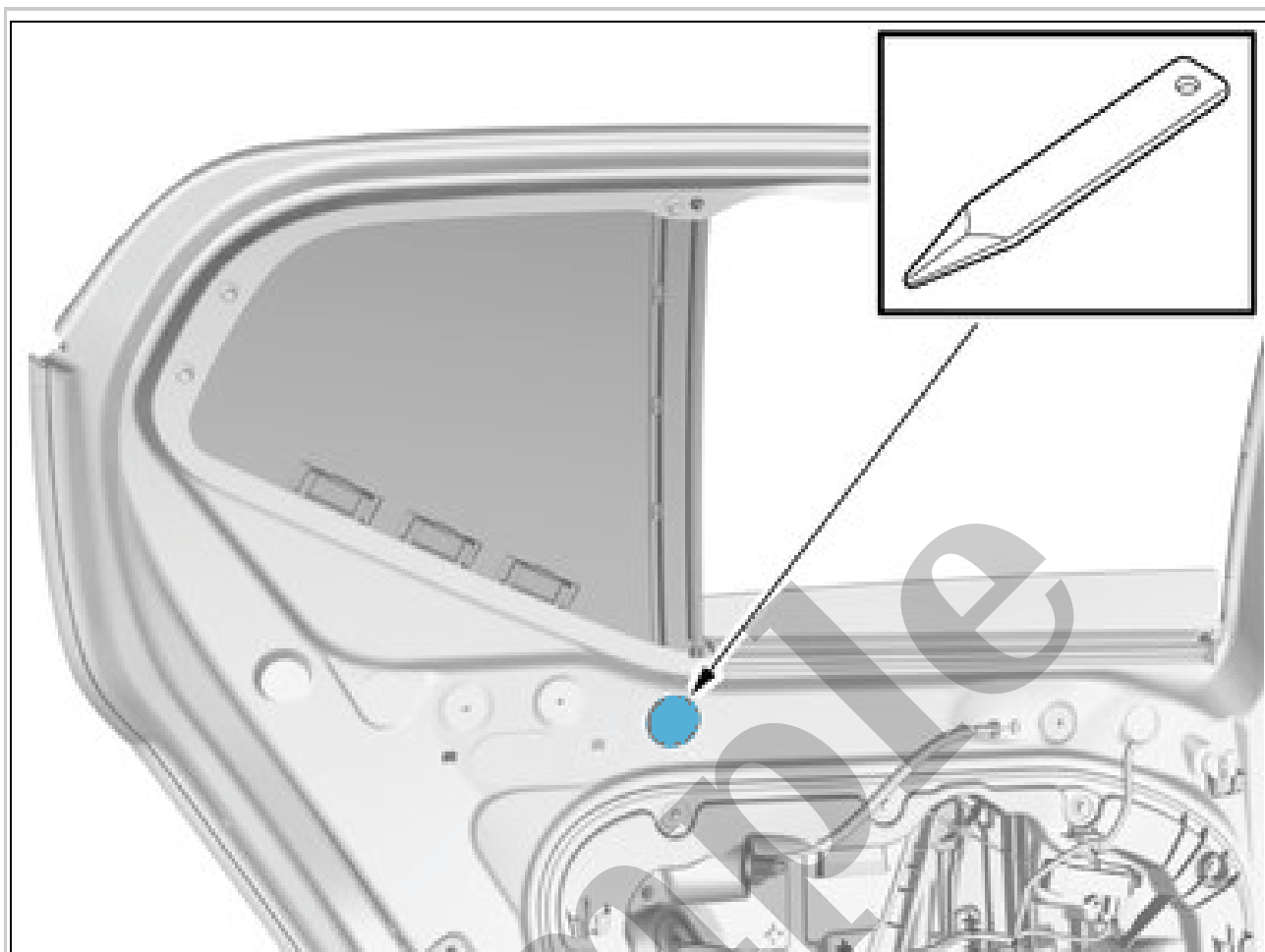
Courtesy of VOLVO CARS CORPORATION

installation details.



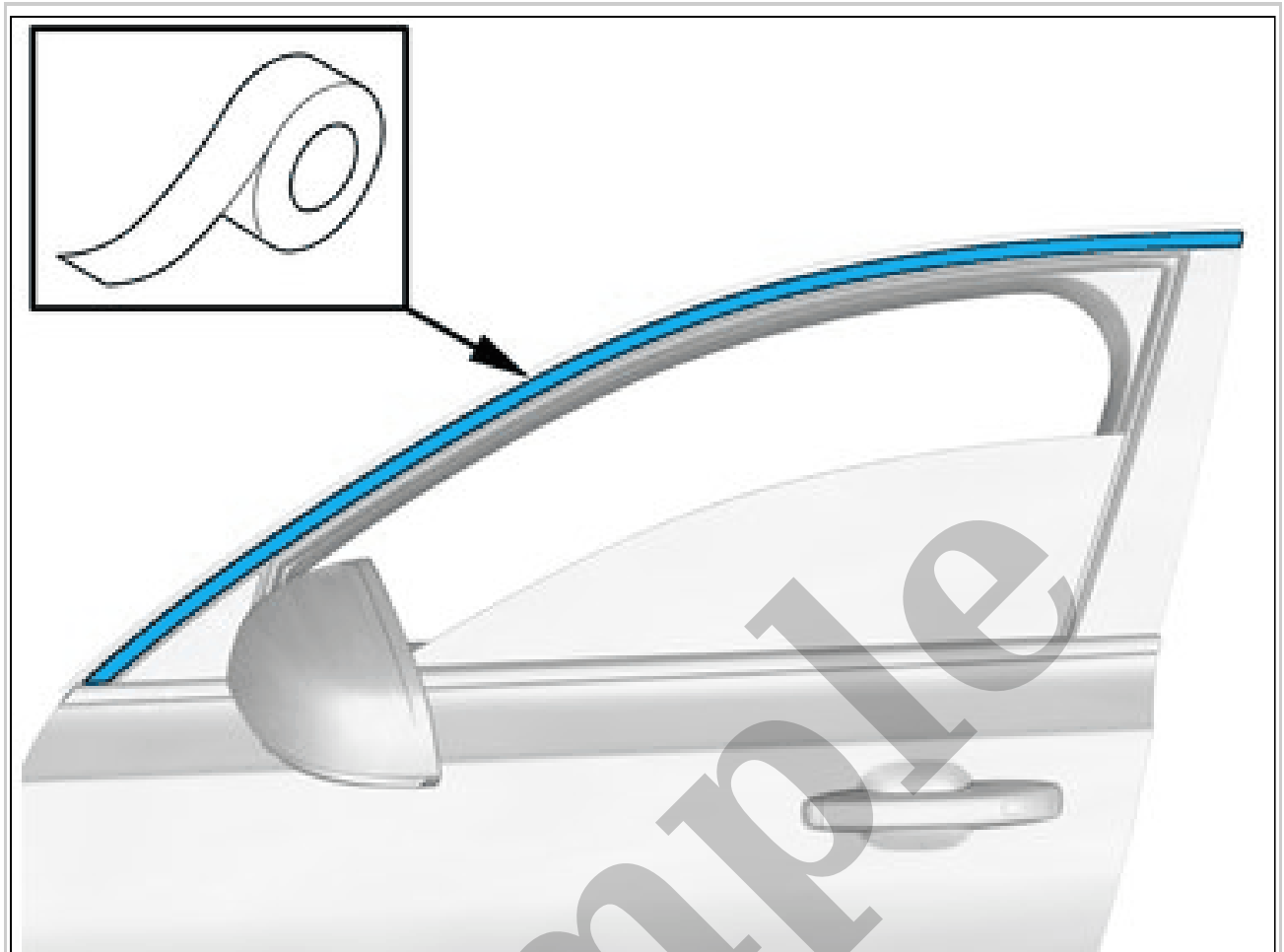
Courtesy of VOLVO CARS CORPORATION

Remove panel side door rear. Refer to: PANEL REAR DOOR



Courtesy of VOLVO CARS CORPORATION

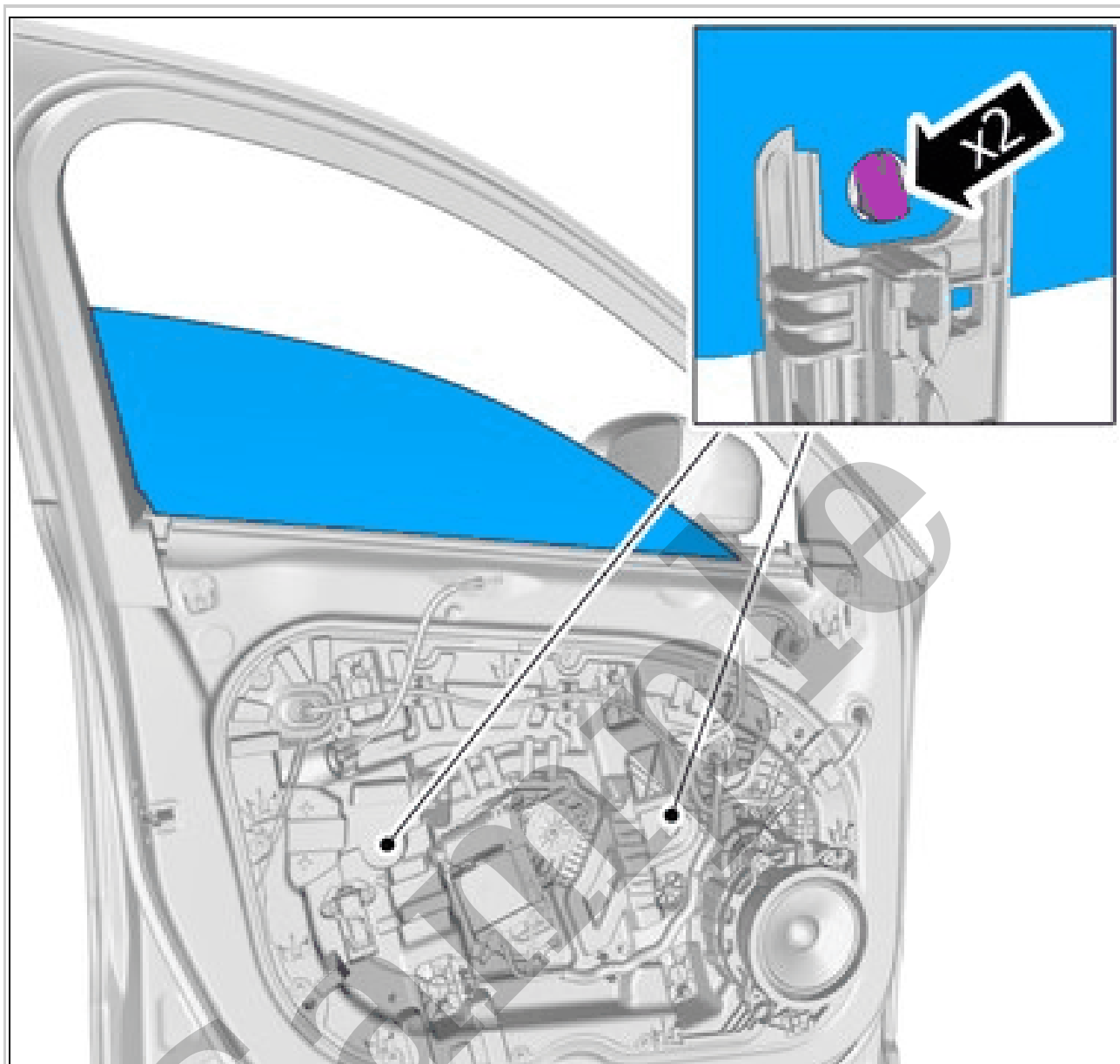
Remove the marked part.



Courtesy of VOLVO CARS CORPORATION

**CAUTION:** *Tape marked component to avoid damage.*

Remove panel side door front. Refer to: PANEL FRONT DOOR

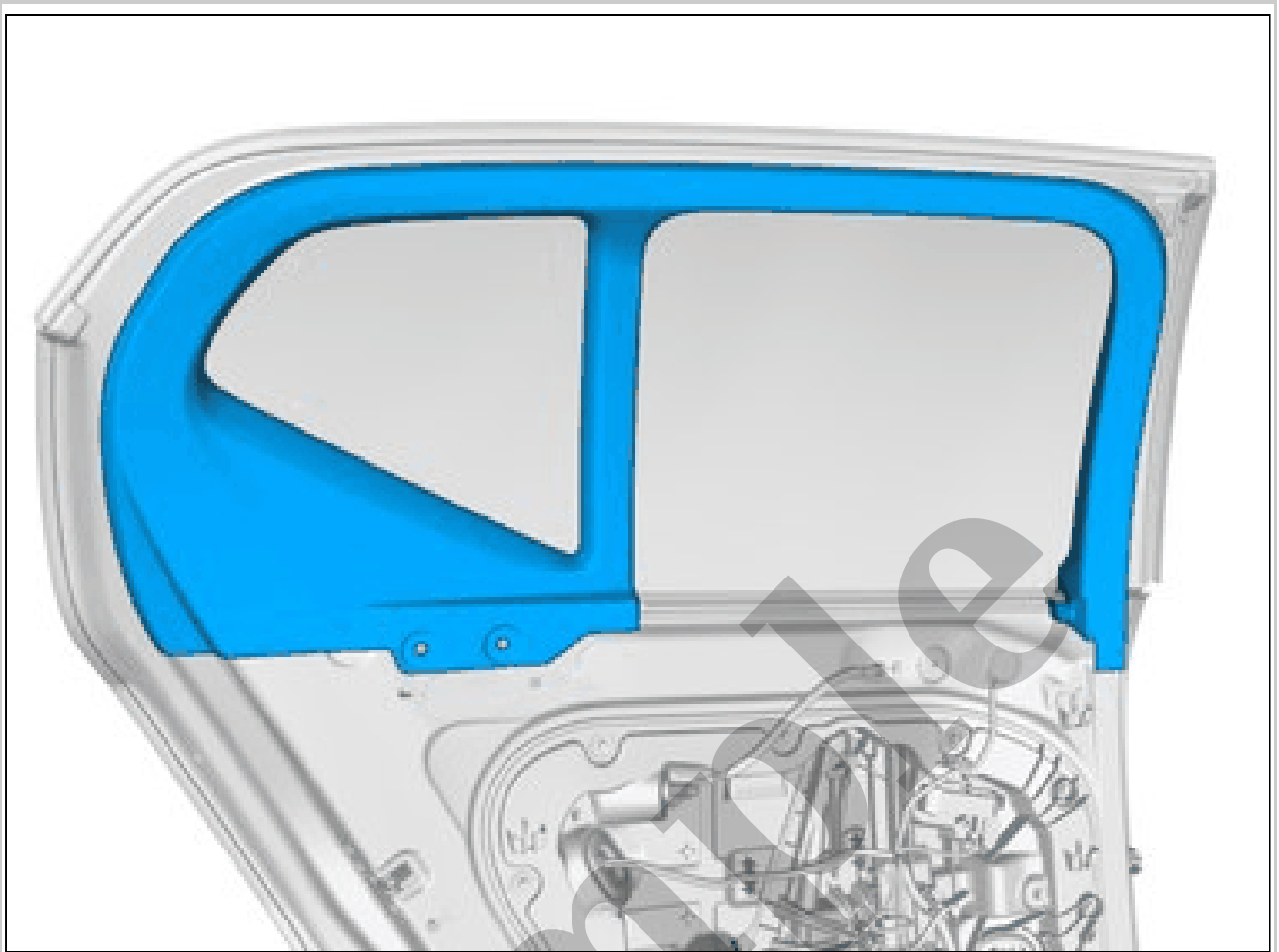


Courtesy of VOLVO CARS CORPORATION

Ensure that all clips engage.  
To install, reverse the removal procedure.

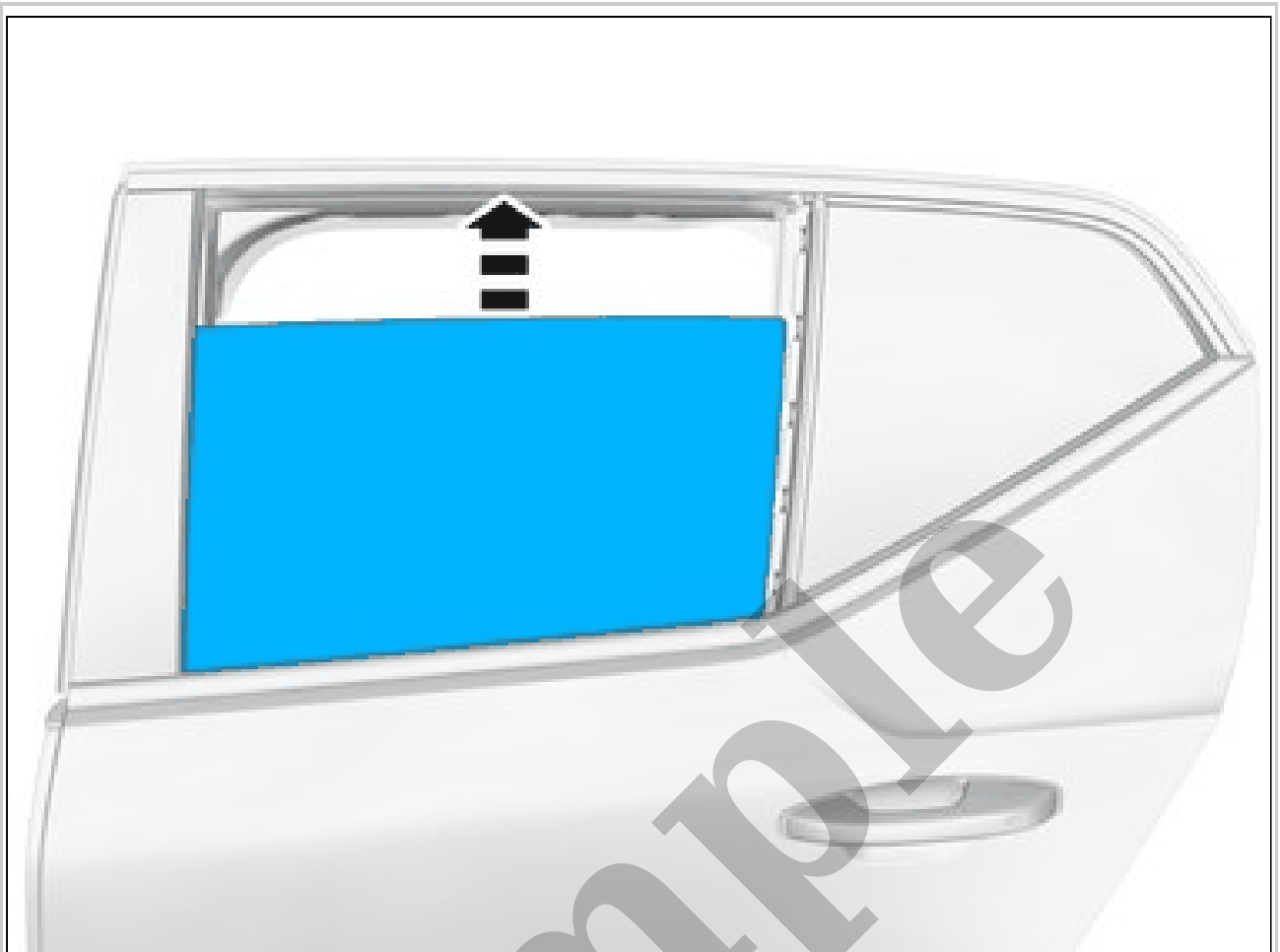
## WINDOW, REAR DOOR > WINDOW, REAR DOOR [2018-2022] > REMOVAL

**NOTE:** Removal steps in this procedure may contain installation details.



Courtesy of VOLVO CARS CORPORATION

Remove the marked part.



Courtesy of VOLVO CARS CORPORATION

Remove the marked part.

#### **WINDOW, REAR DOOR > WINDOW, REAR DOOR [2018-2022] > INSTALLATION**

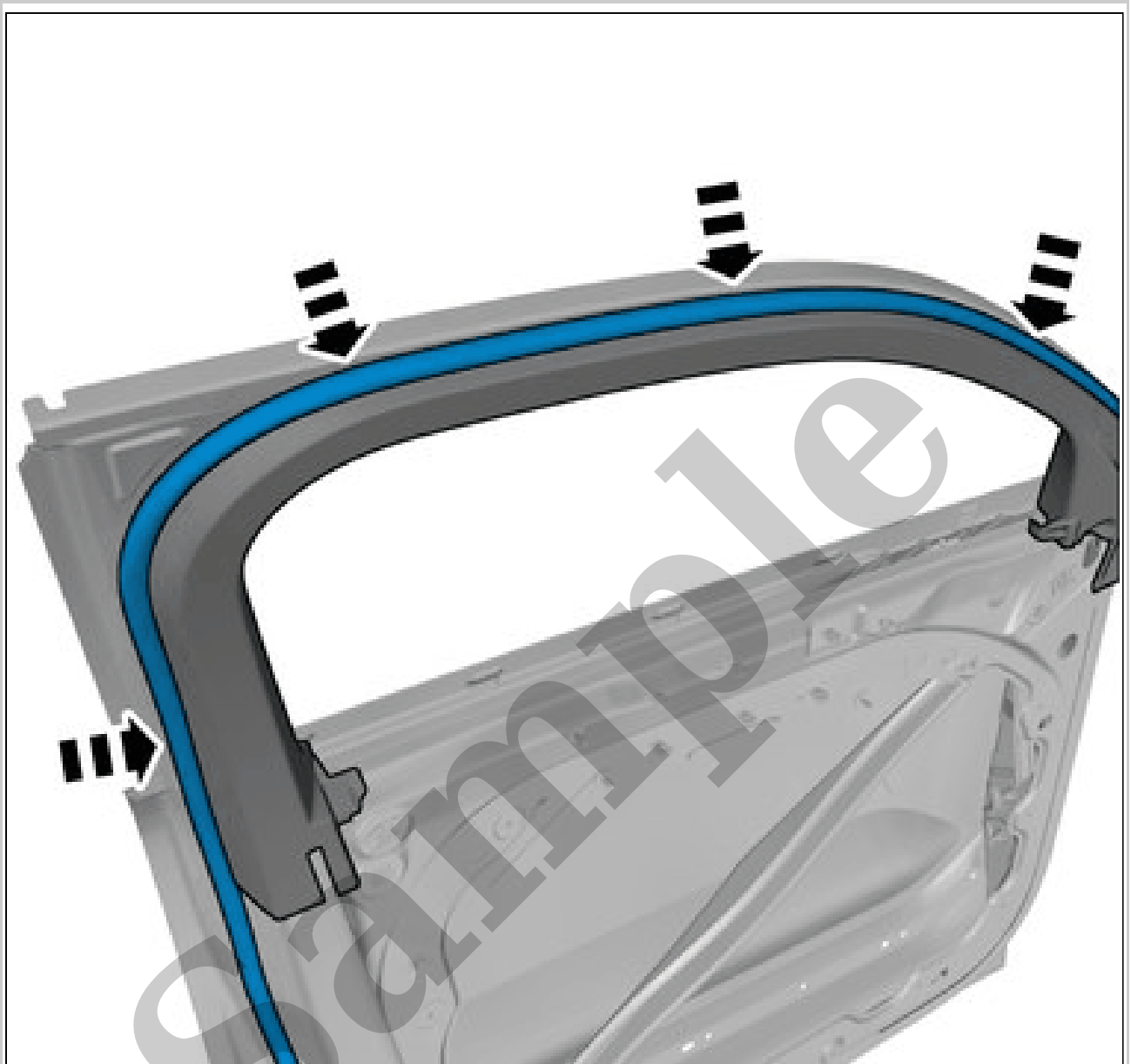
To install, reverse the removal procedure.

#### **FRONT DOOR WEATHERSTRIP > FRONT DOOR WEATHERSTRIP [2018-2022] > REMOVAL**

**NOTE:** *Removal steps in this procedure may contain installation details.*

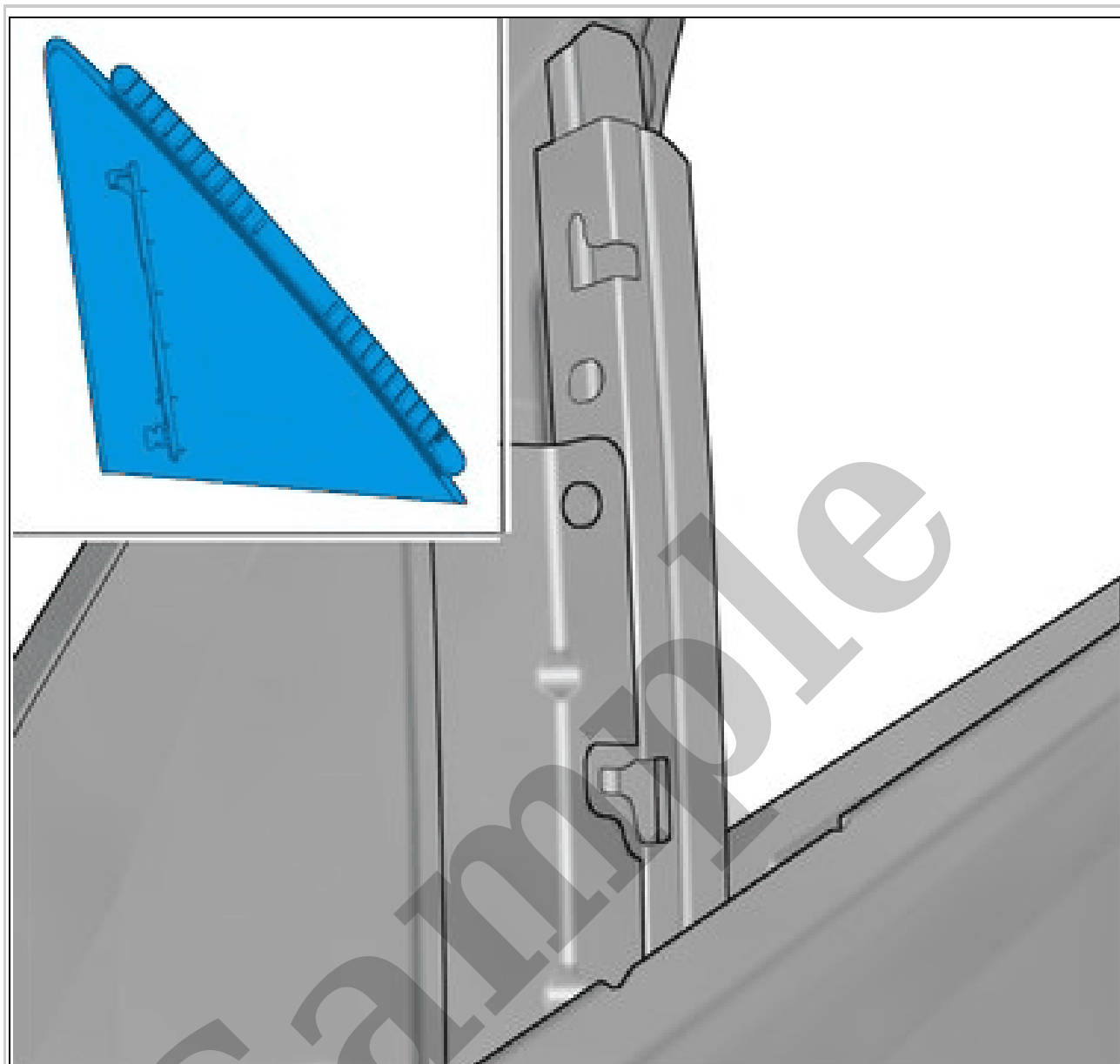


Install the marked component.  
Install the clip(s).



Courtesy of VOLVO CARS CORPORATION

Install the marked component.



Courtesy of VOLVO CARS CORPORATION

**NOTE:** *The graphic shows the back of the component before removal.*