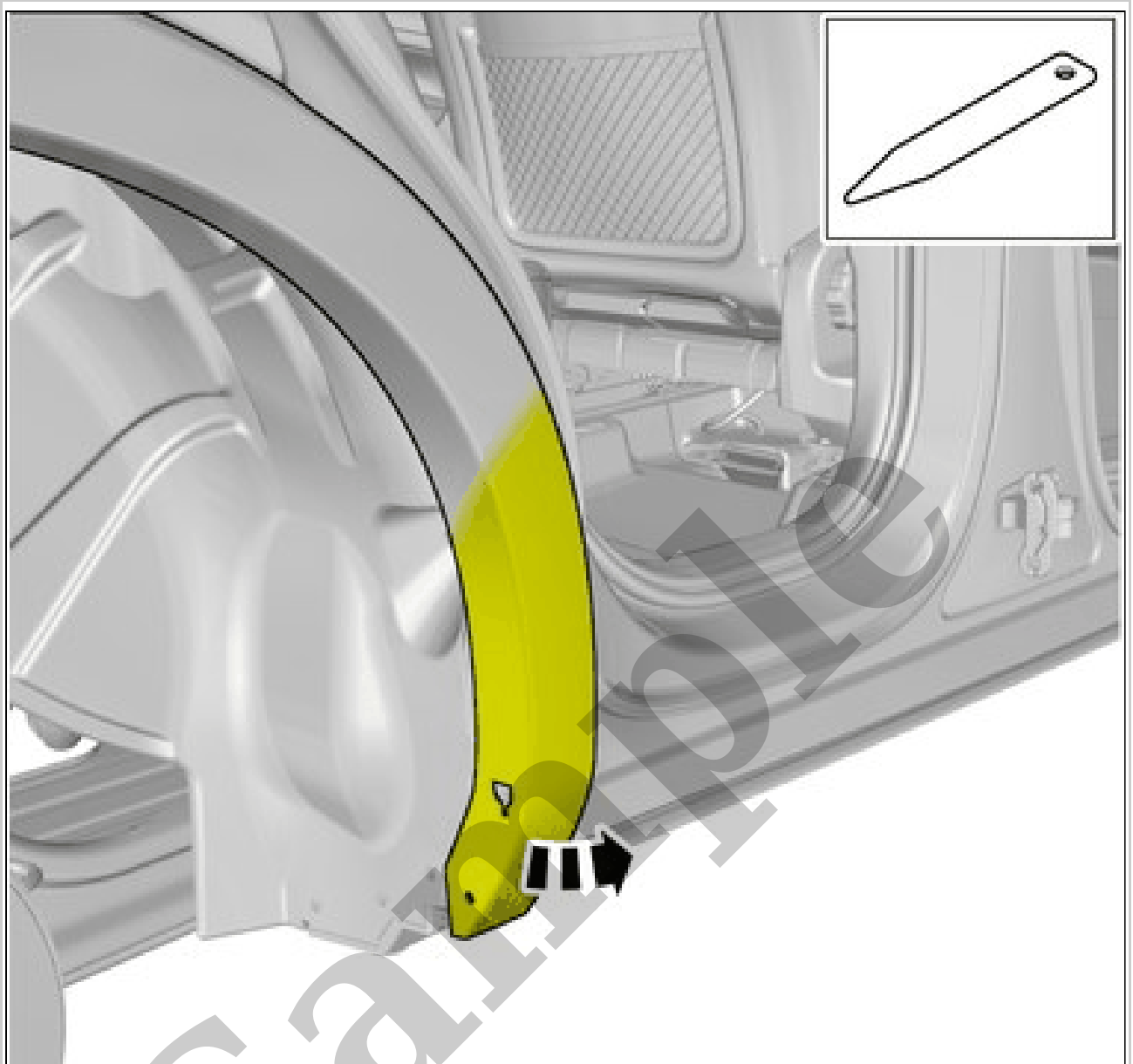


Your Ultimate Source for OEM Repair Manuals

FactoryManuals.net is a great resource for anyone who wants to save money on repairs by doing their own work. The manuals provide detailed instructions and diagrams that make it easy to understand how to fix a vehicle.

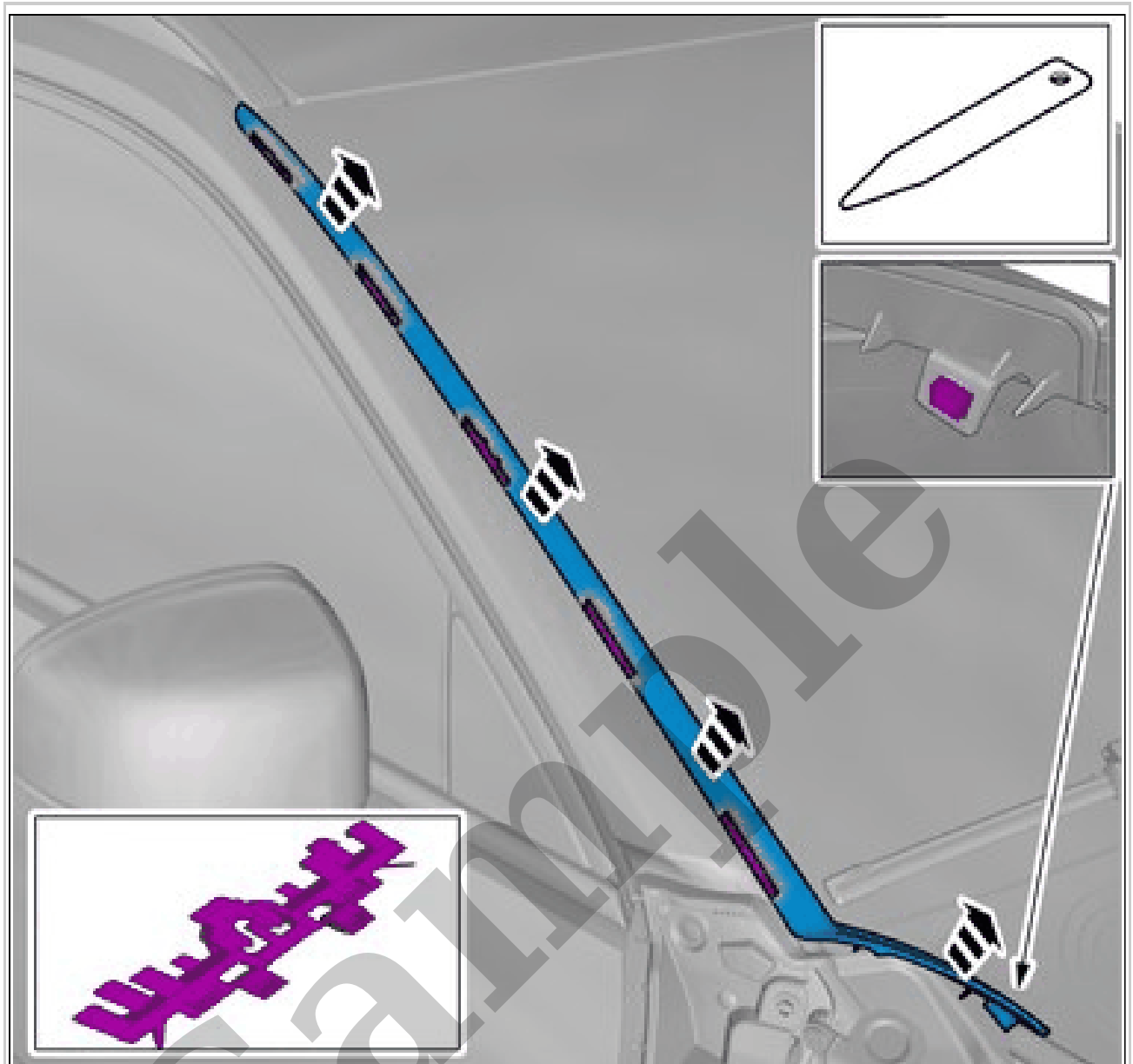
Volvo V60 2015 Manual - Service & Repair Guide

[Go to manual page](#)



Courtesy of VOLVO CARS CORPORATION

Remove the part carefully



Courtesy of VOLVO CARS CORPORATION

Remove the marked part.

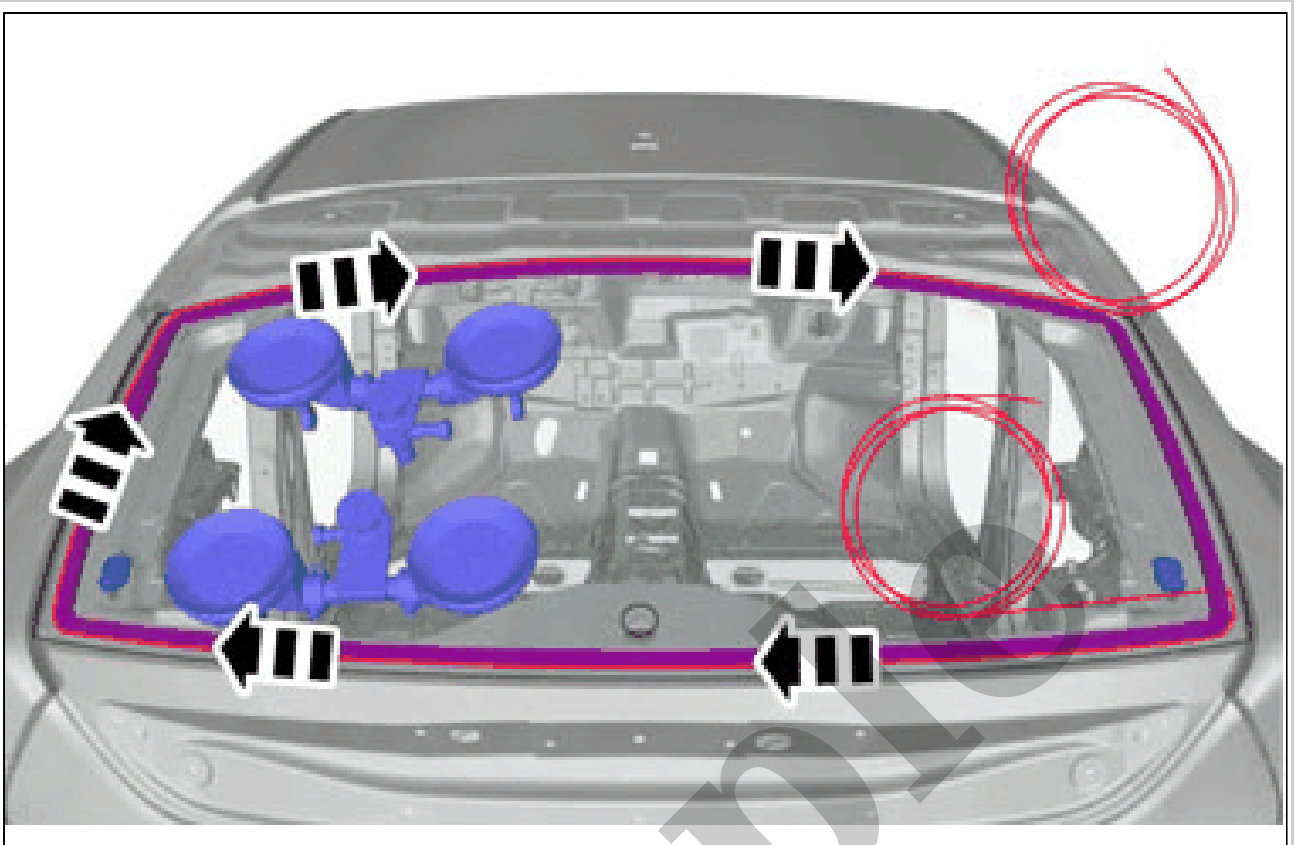
Use: Interior trim remover

A-PILLAR MOLDING > A-PILLAR MOLDING [2018-2022] > INSTALLATION

To install, reverse the removal procedure.

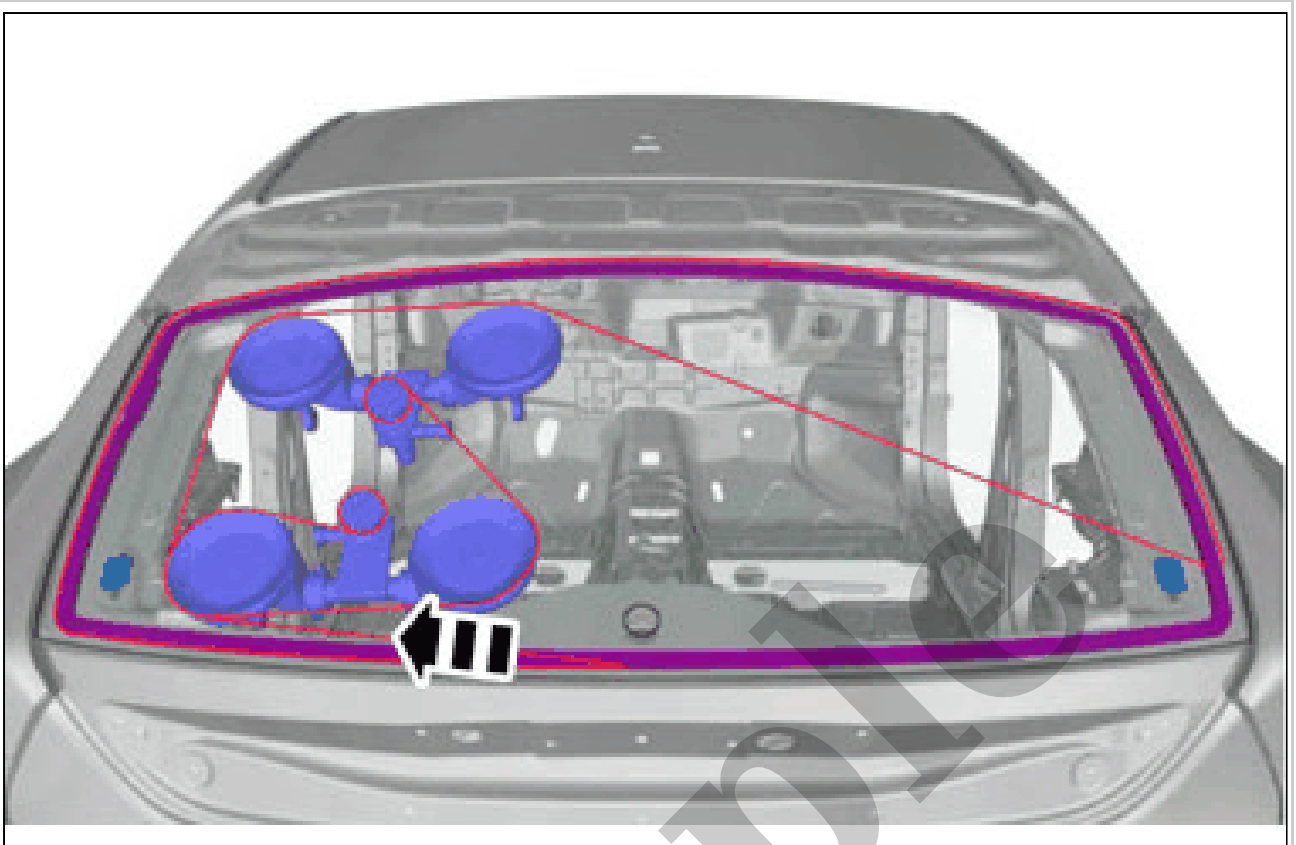
REAR WINDOW TAILGATE > REAR WINDOW TAILGATE [2018-2022] > REMOVAL

NOTE: Removal steps in this procedure may contain



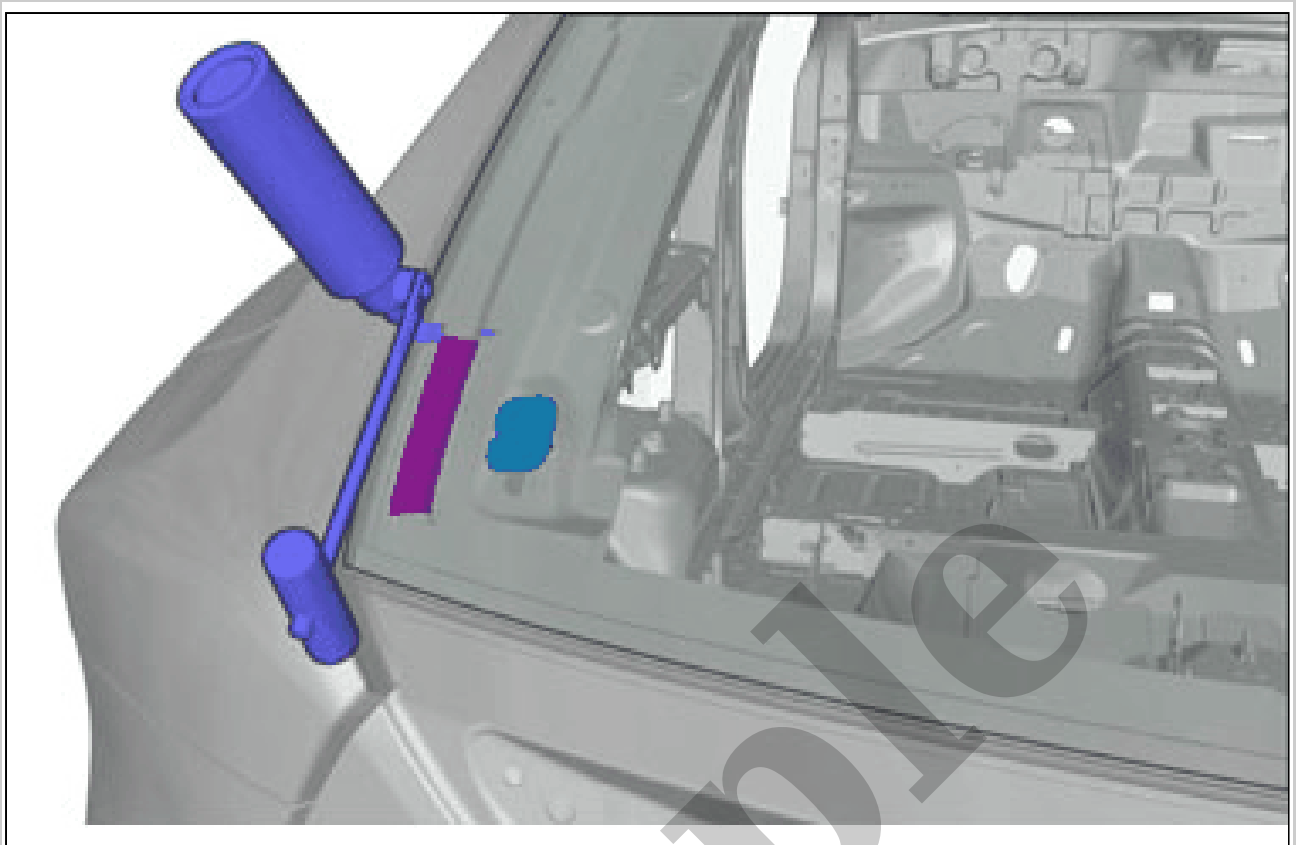
Courtesy of VOLVO CARS CORPORATION

Sample



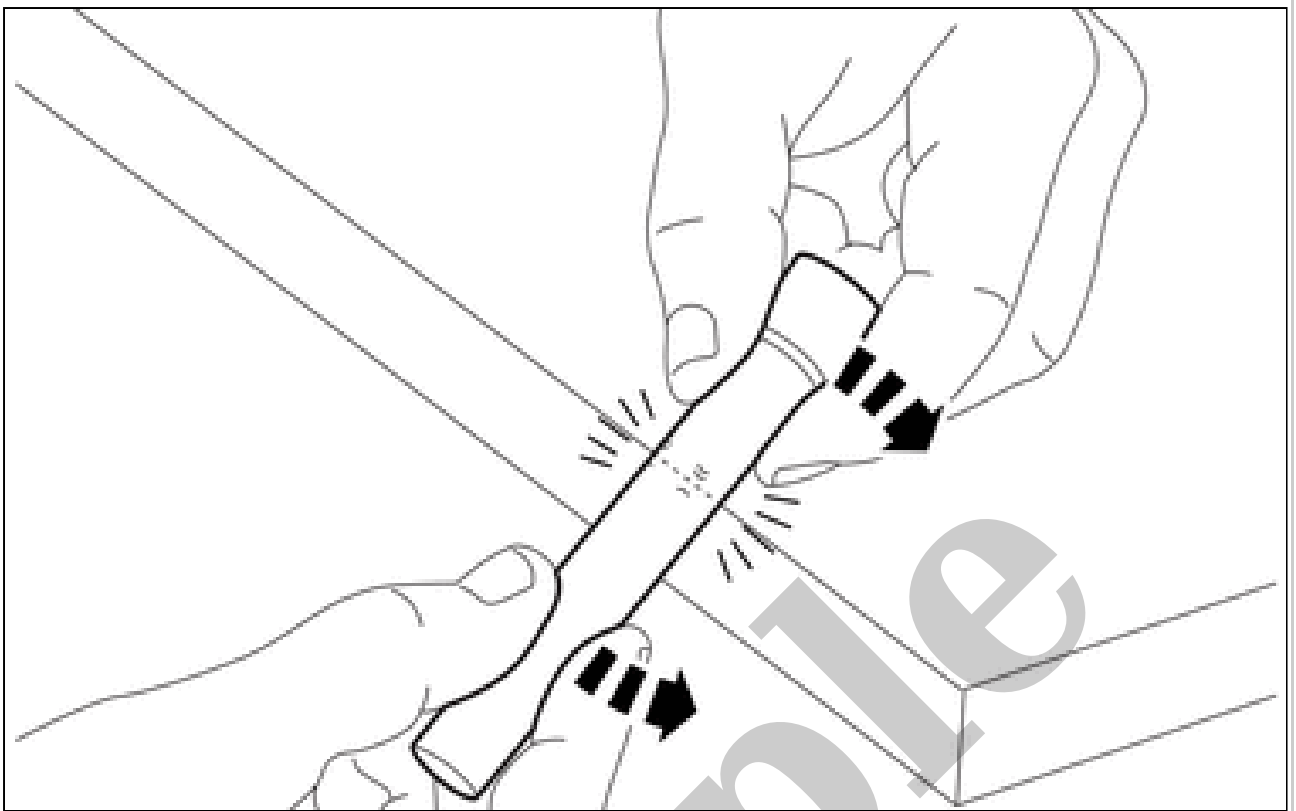
Courtesy of VOLVO CARS CORPORATION

Sample



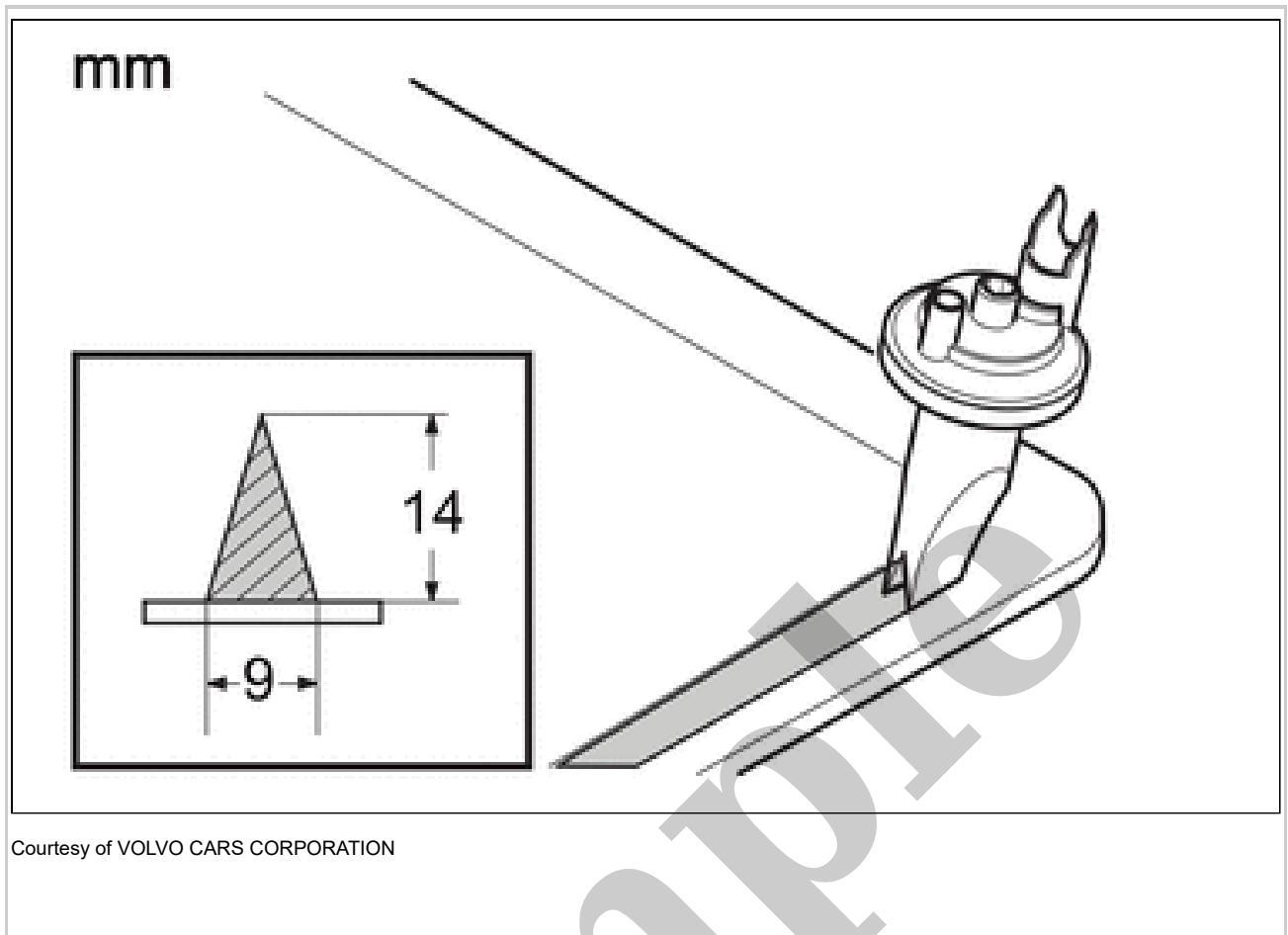
Courtesy of VOLVO CARS CORPORATION

Special Tool: 951 2786 Handle



Courtesy of VOLVO CARS CORPORATION

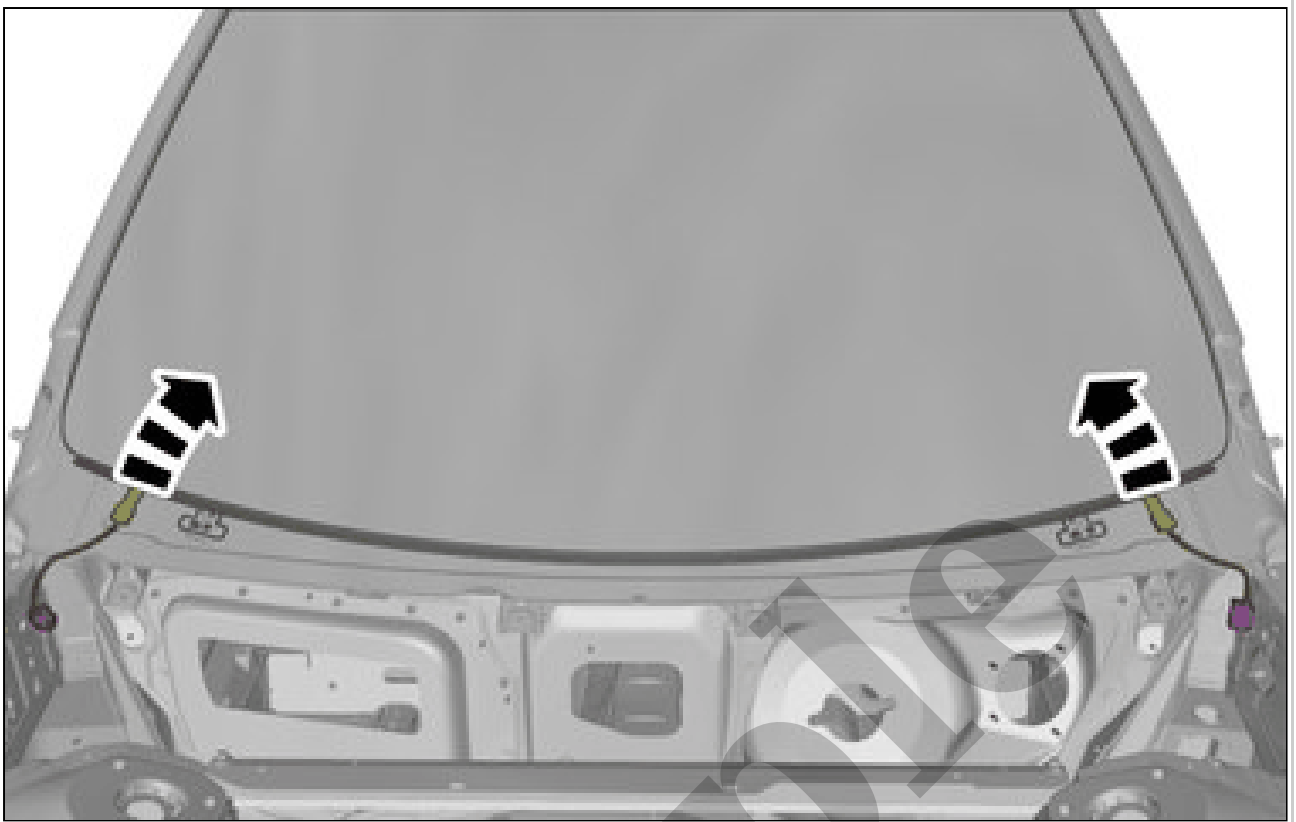
Sample



Special Tool: 981 4259 Glue gun, EU/UK Special Tool: 981 4260 Glue gun, US Special Tool: 981 4261 Glue gun, AU/NZ

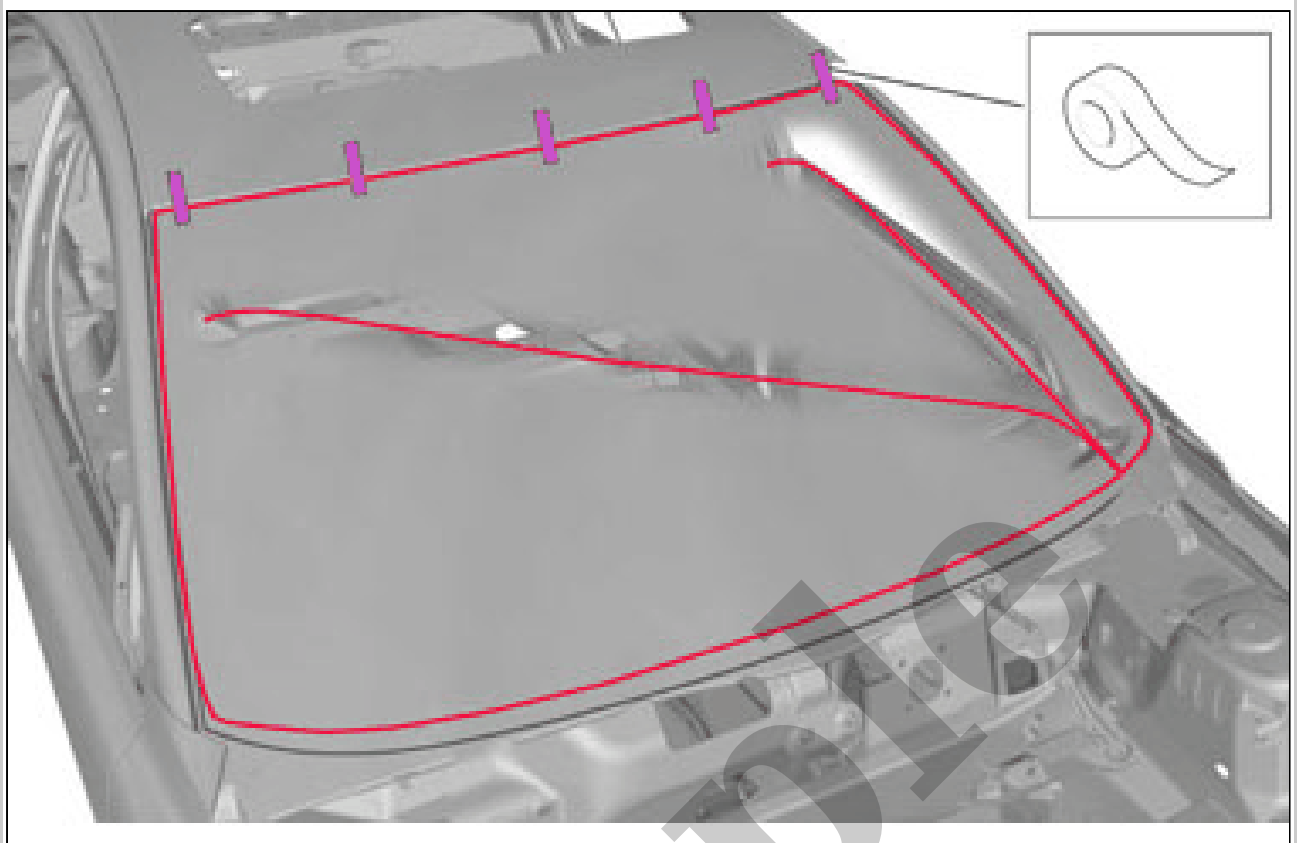
Use: Adhesive kit, 32132745 (US), (EU), (OS) **Use:** Adhesive kit, 32132746 (CA) **Use:** Adhesive kit, 32132747 (CN)

When applied, hold the glue gun according to the nozzle angle.



Courtesy of VOLVO CARS CORPORATION

Sample



Courtesy of VOLVO CARS CORPORATION

Sample