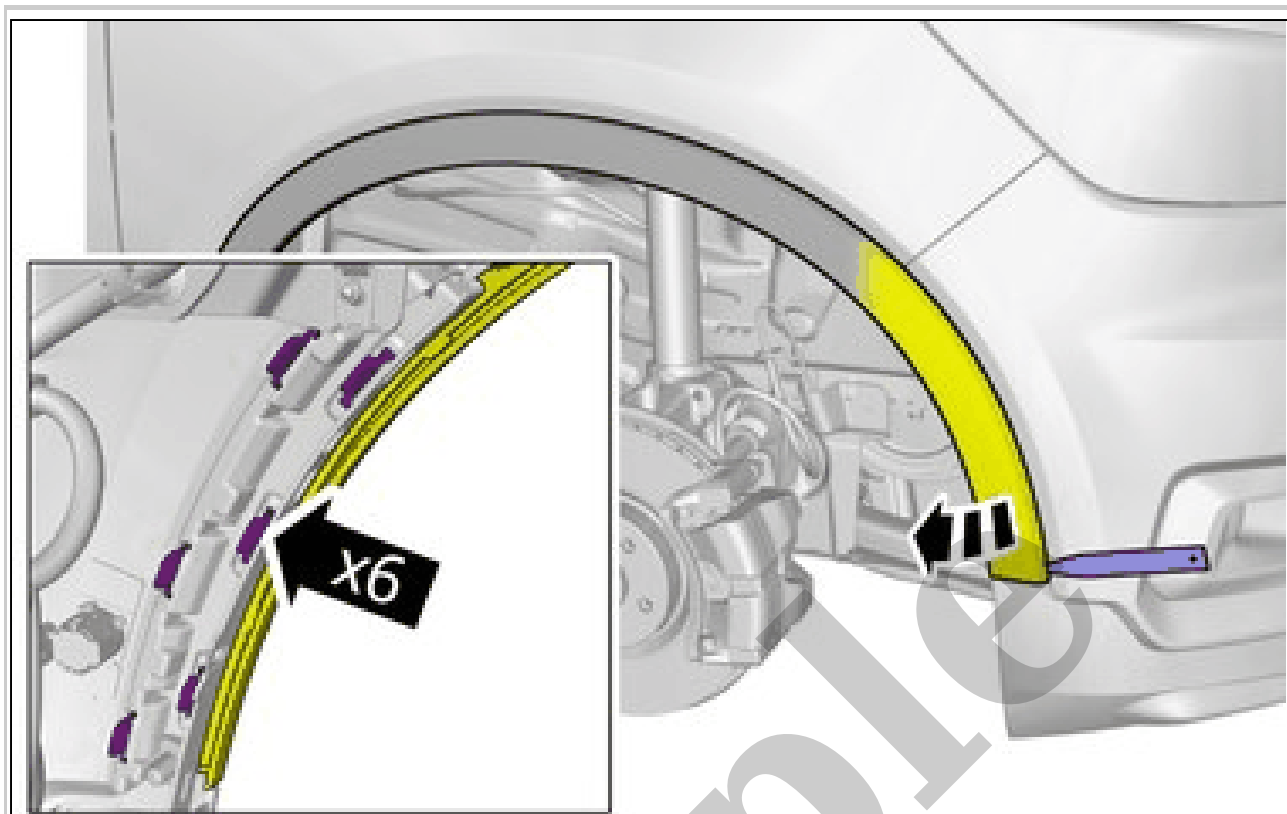


Your Ultimate Source for OEM Repair Manuals

FactoryManuals.net is a great resource for anyone who wants to save money on repairs by doing their own work. The manuals provide detailed instructions and diagrams that make it easy to understand how to fix a vehicle.

2015 Volvo V60 Cross Country Service and Repair Manual

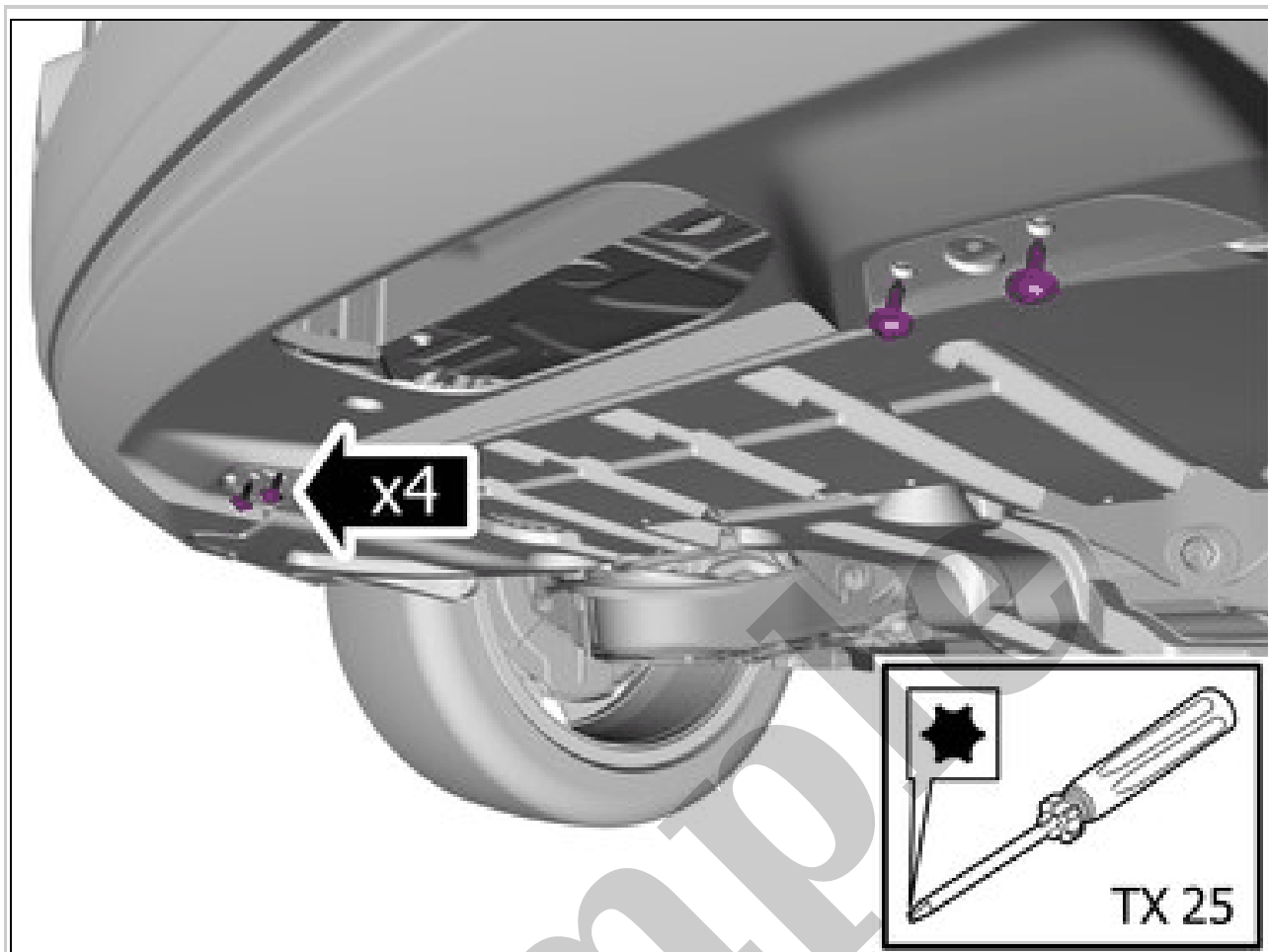
[Go to manual page](#)



Courtesy of VOLVO CARS CORPORATION

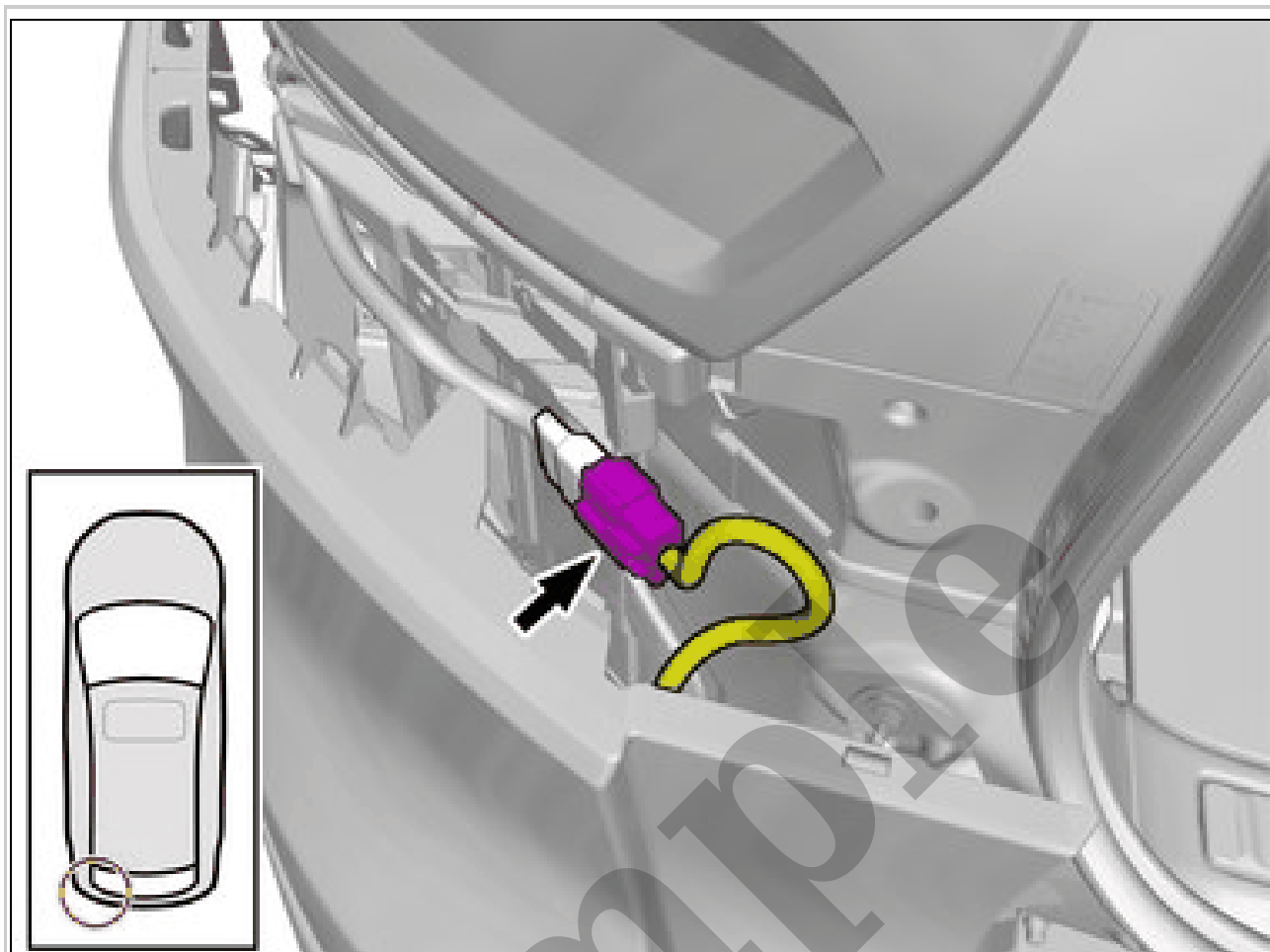
CAUTION: Make sure not to damage painted surfaces.

On both sides.



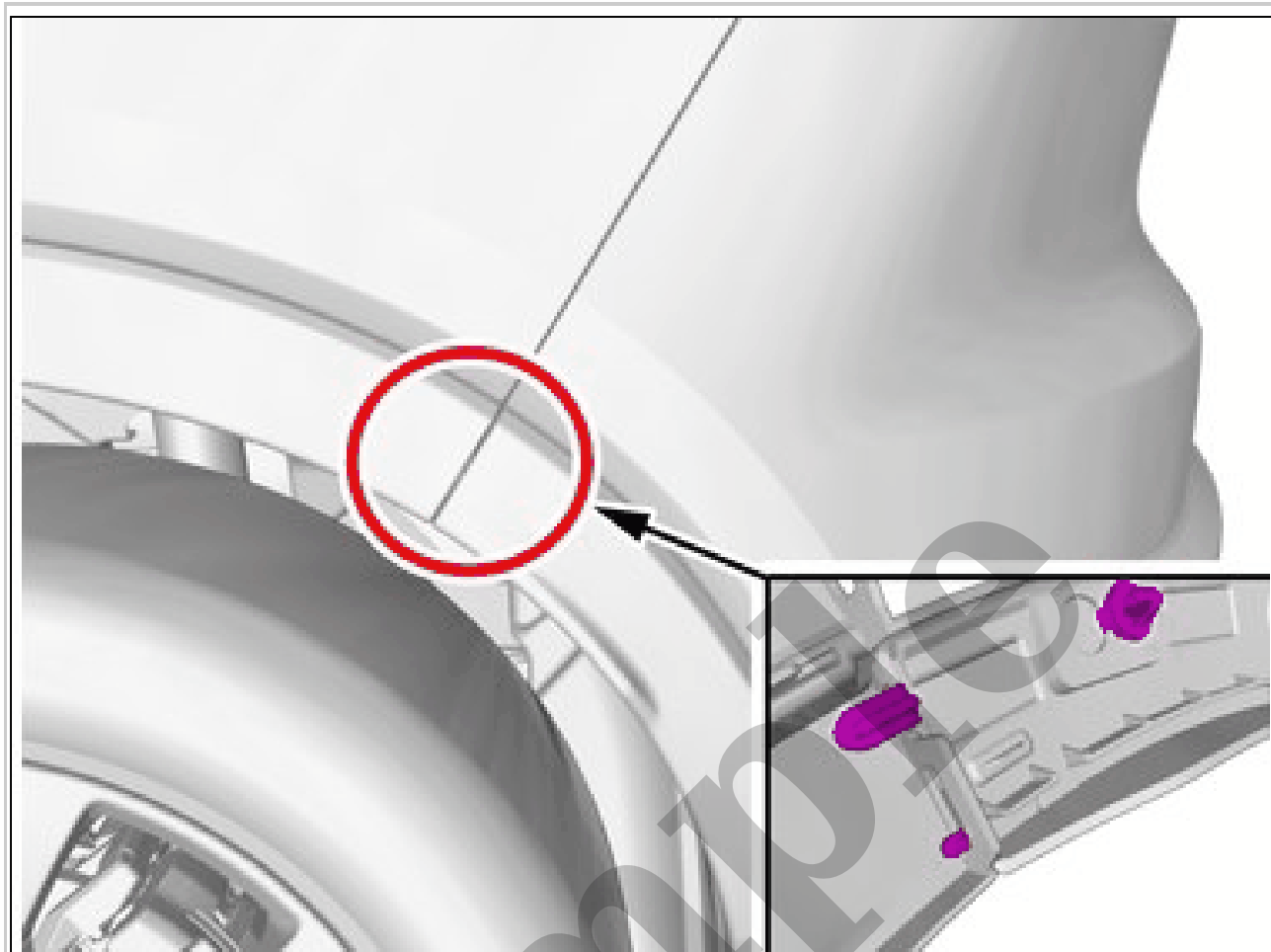
Courtesy of VOLVO CARS CORPORATION

Remove the screws.



Courtesy of VOLVO CARS CORPORATION

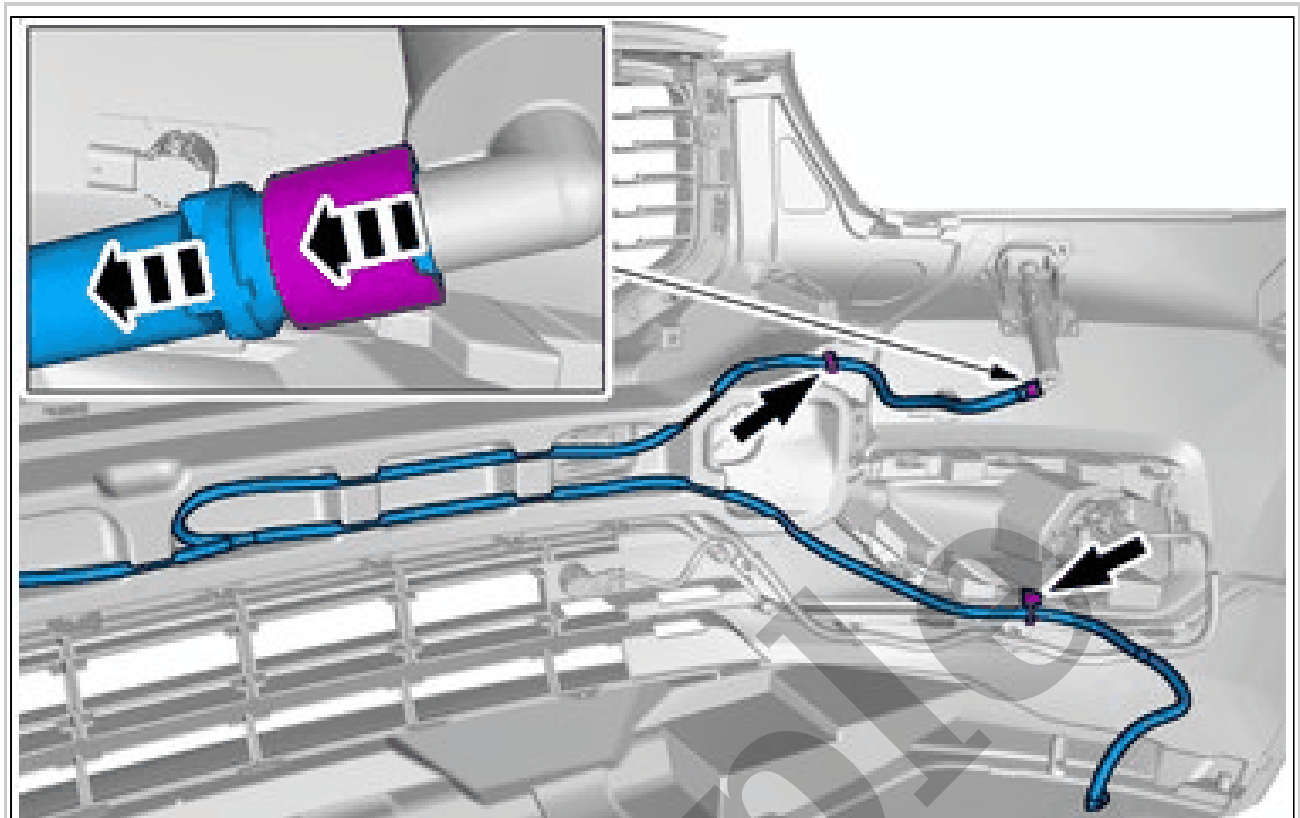
Disconnect the connector.



Courtesy of VOLVO CARS CORPORATION

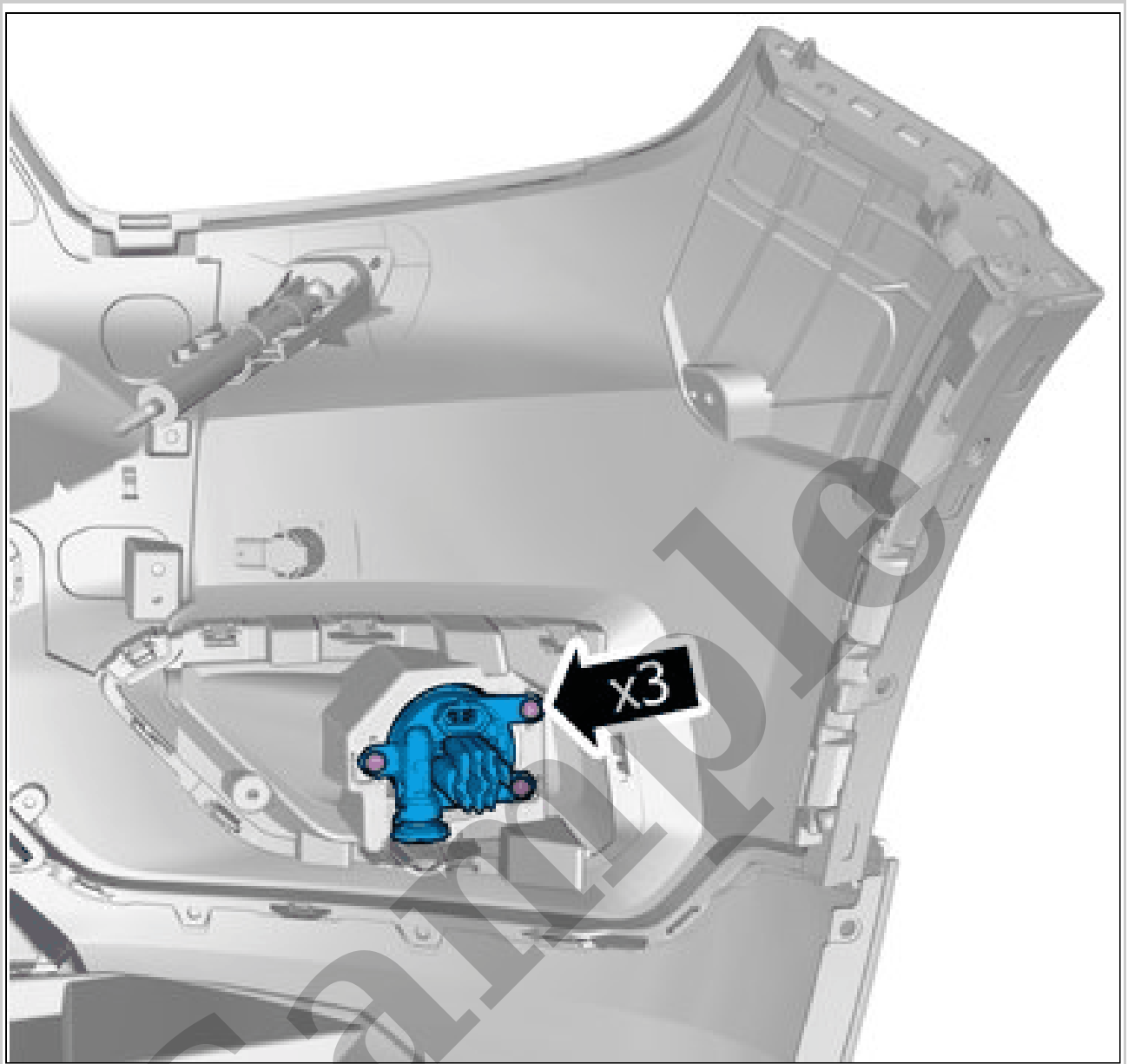
NOTE: *Orientation view*

The graphic shows the back of the component.



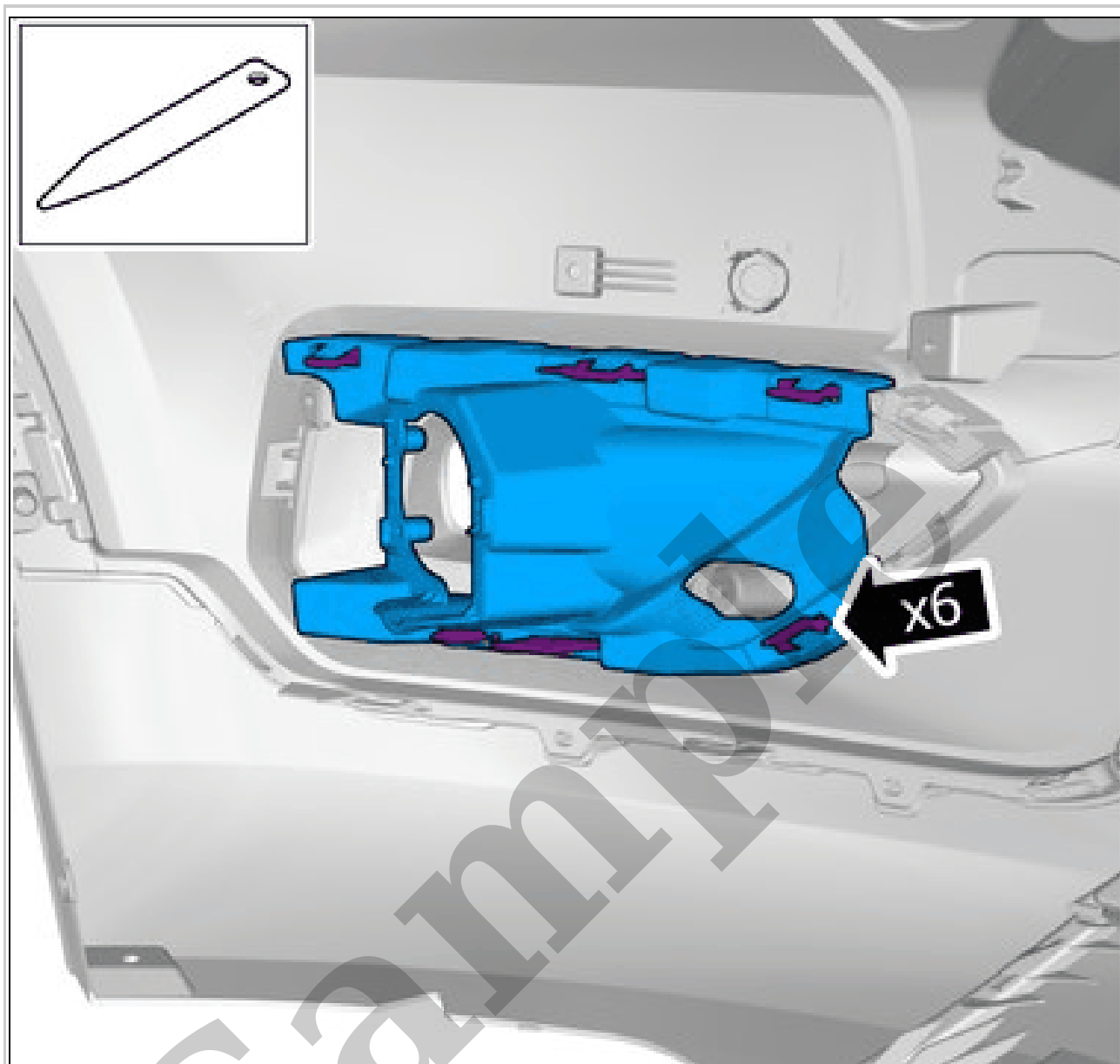
Courtesy of VOLVO CARS CORPORATION

Undo the hose from the connection.
Remove the marked part.



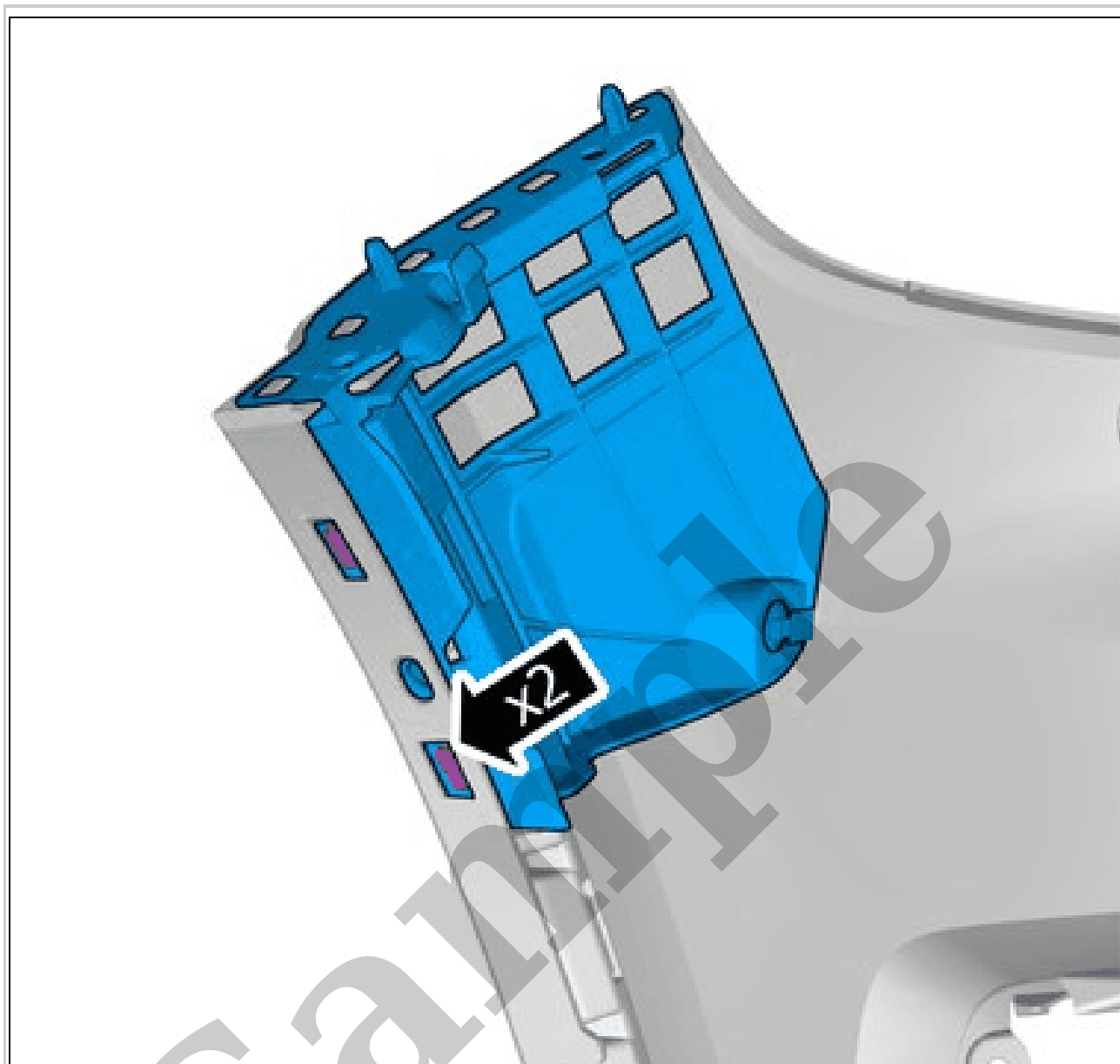
Courtesy of VOLVO CARS CORPORATION

Remove the screws.
Remove the marked part.
On both sides.



Courtesy of VOLVO CARS CORPORATION

Remove the marked part.
On both sides.



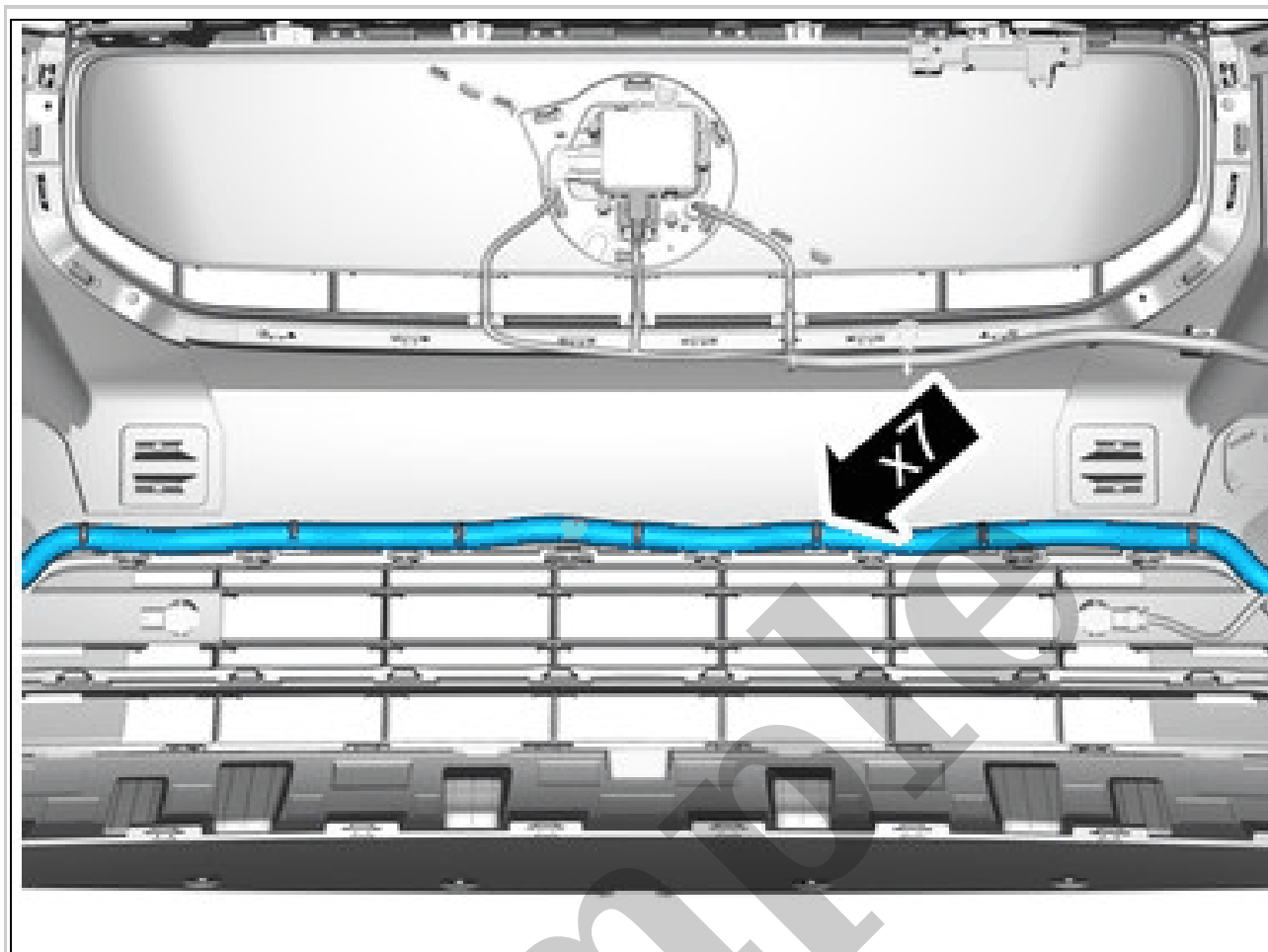
Courtesy of VOLVO CARS CORPORATION

Remove the marked part.
On both sides.

FRONT BUMPER COVER, TRANSFERRING COMPONENTS > FRONT BUMPER COVER, TRANSFERRING COMPONENTS [2018-2022] > INSTALLATION

To install, reverse the removal procedure.

FRONT BUMPER COVER, TRANSFERRING COMPONENTS > FRONT BUMPER COVER, TRANSFERRING COMPONENTS [2021-2022, E400V6] > REMOVAL



Courtesy of VOLVO CARS CORPORATION

Remove the cable harness clips.
Remove the marked part.