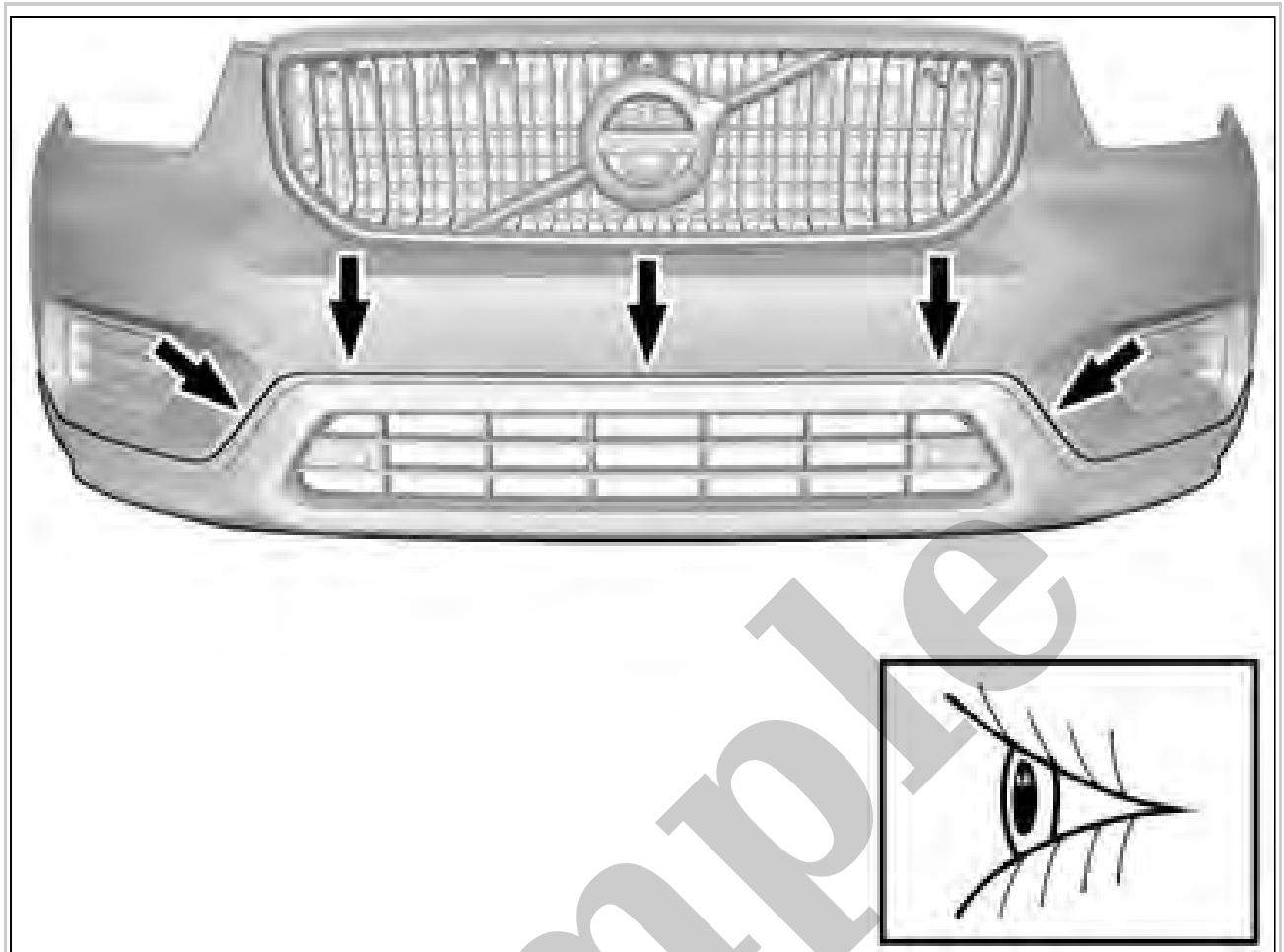


Your Ultimate Source for OEM Repair Manuals

FactoryManuals.net is a great resource for anyone who wants to save money on repairs by doing their own work. The manuals provide detailed instructions and diagrams that make it easy to understand how to fix a vehicle.

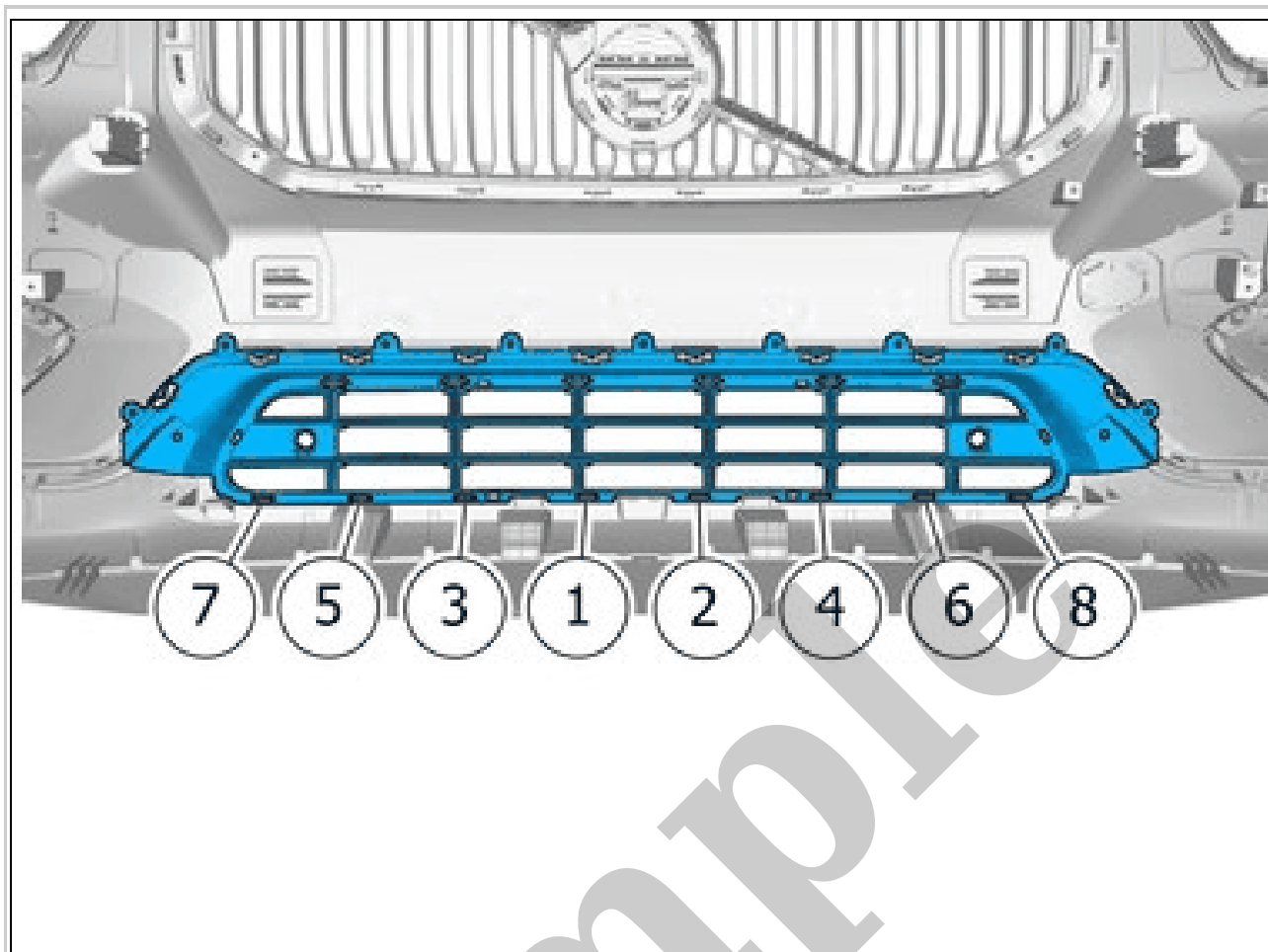
2015 VOLVO V40 Cross Country OEM Service and Repair Workshop Manual

[Go to manual page](#)



Courtesy of VOLVO CARS CORPORATION

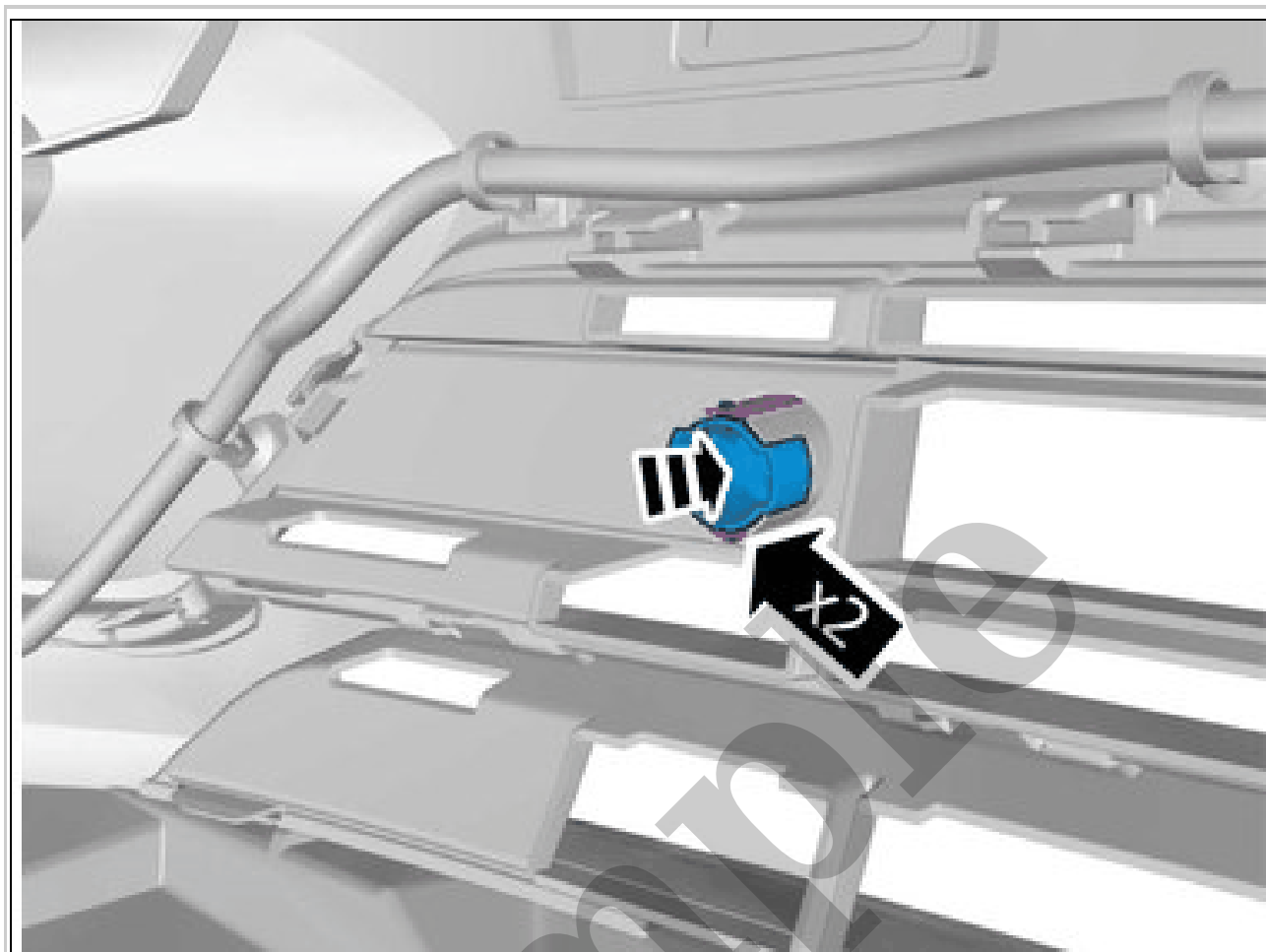
NOTE: Adjust the position of the components to create even spaces.



Courtesy of VOLVO CARS CORPORATION

NOTE: Make sure to follow the sequence indicated.

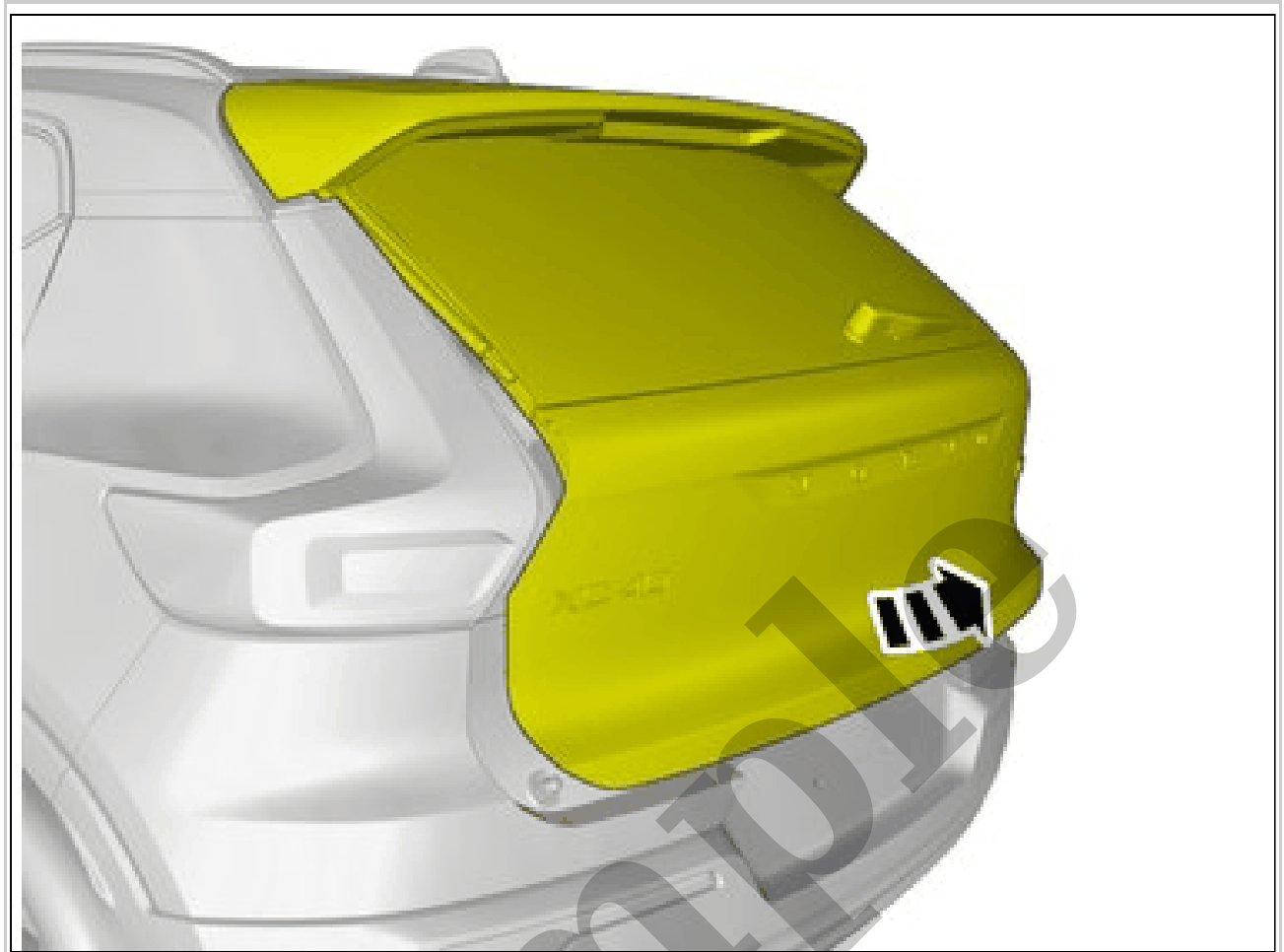
Press the marked component.
Ensure that all clips engage.



Courtesy of VOLVO CARS CORPORATION

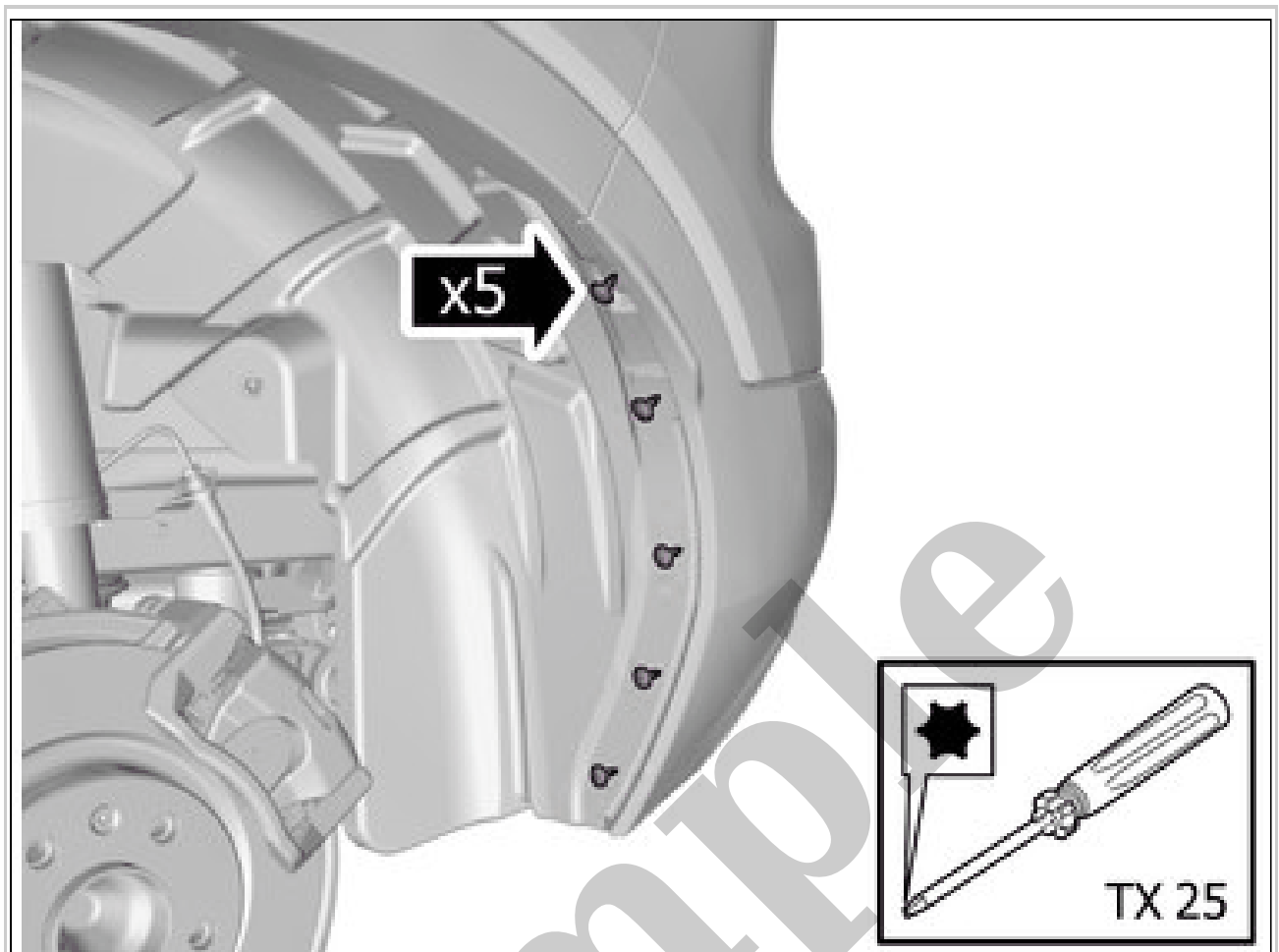
Install the marked component.
Repeat on the other side.

VEHICLES WITH PARKING ASSISTANCE



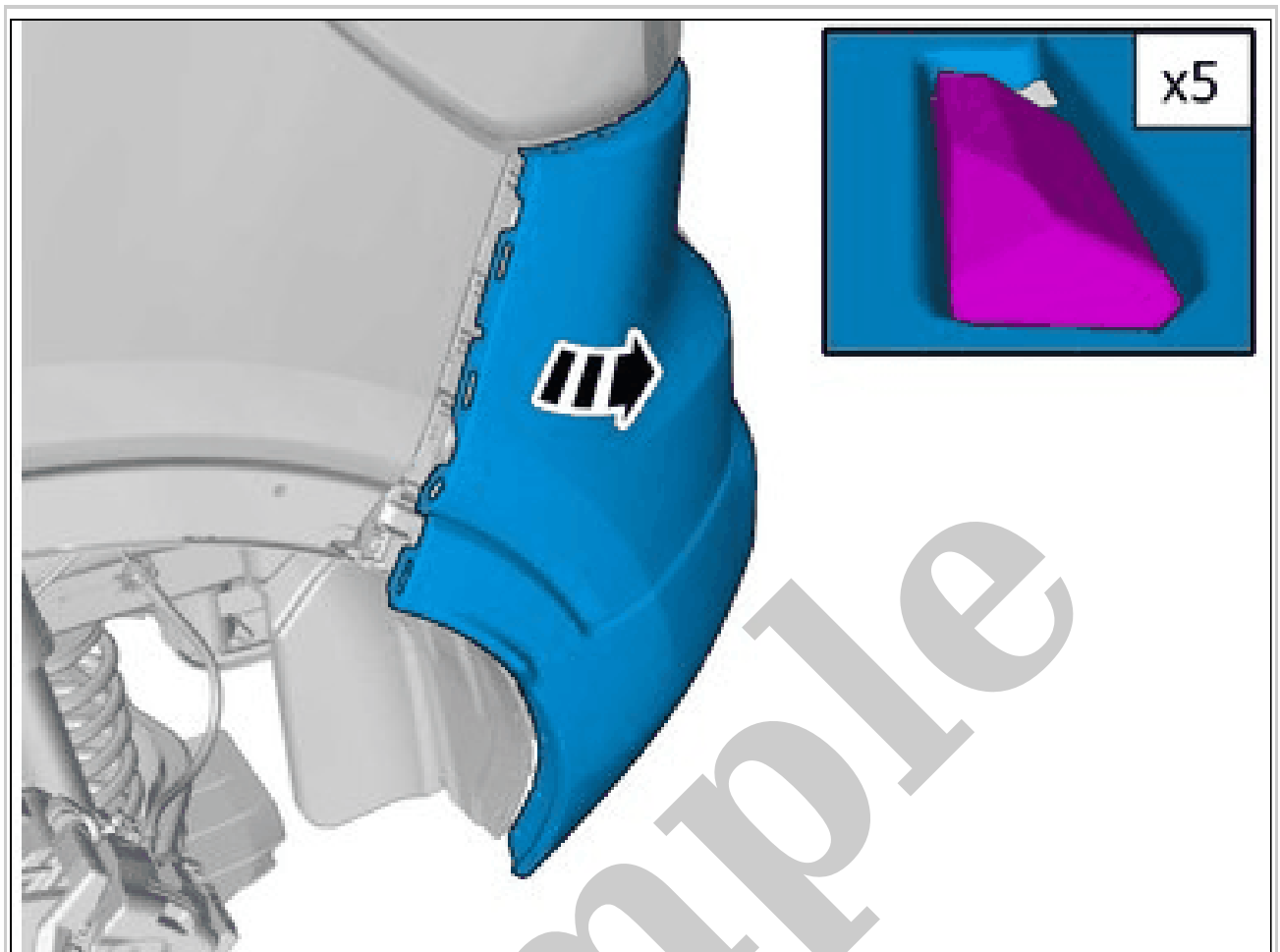
Courtesy of VOLVO CARS CORPORATION

Open the tailgate.



Courtesy of VOLVO CARS CORPORATION

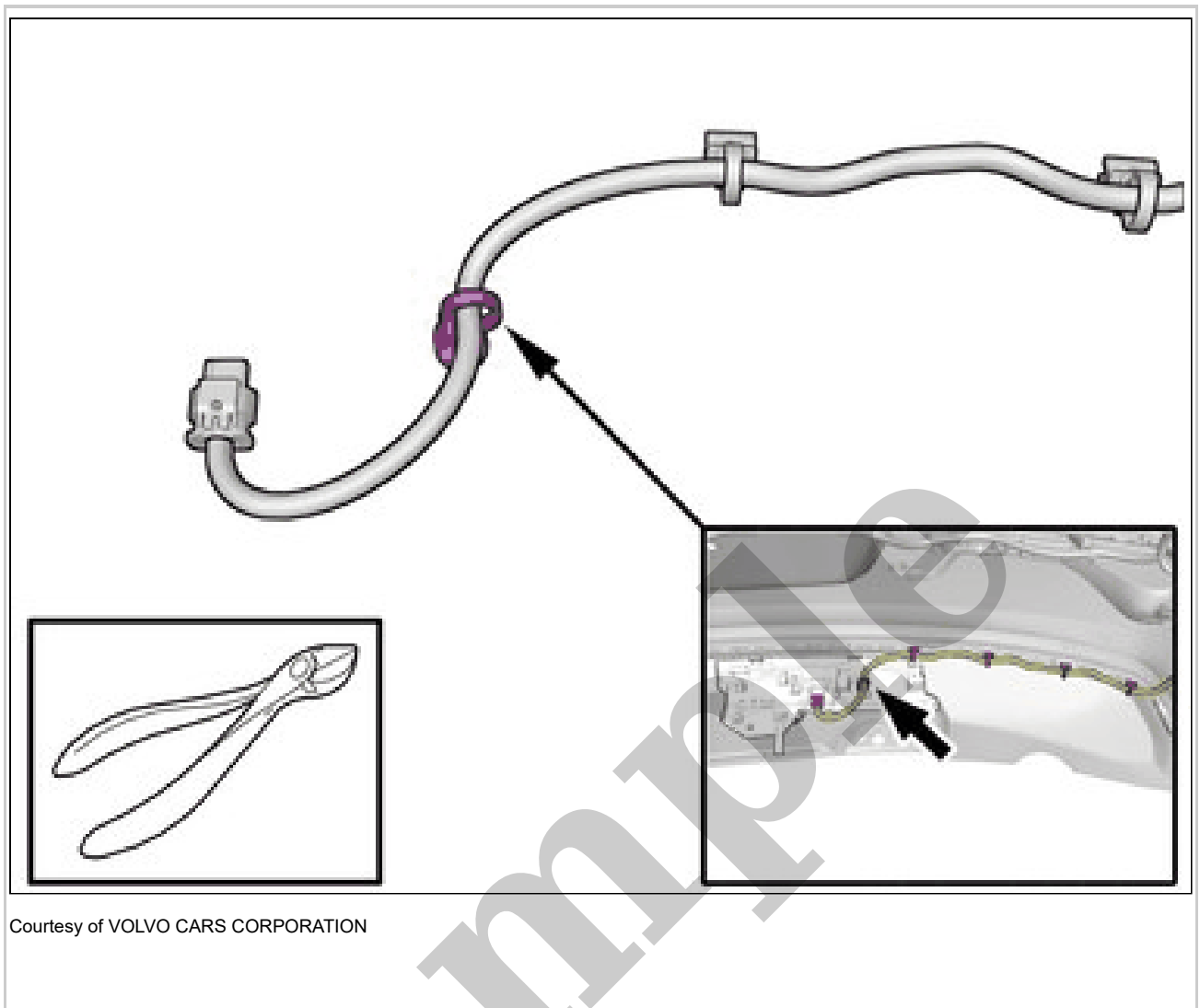
Remove the screws.



Courtesy of VOLVO CARS CORPORATION

CAUTION: *Be extra careful when removing or installing this component.*

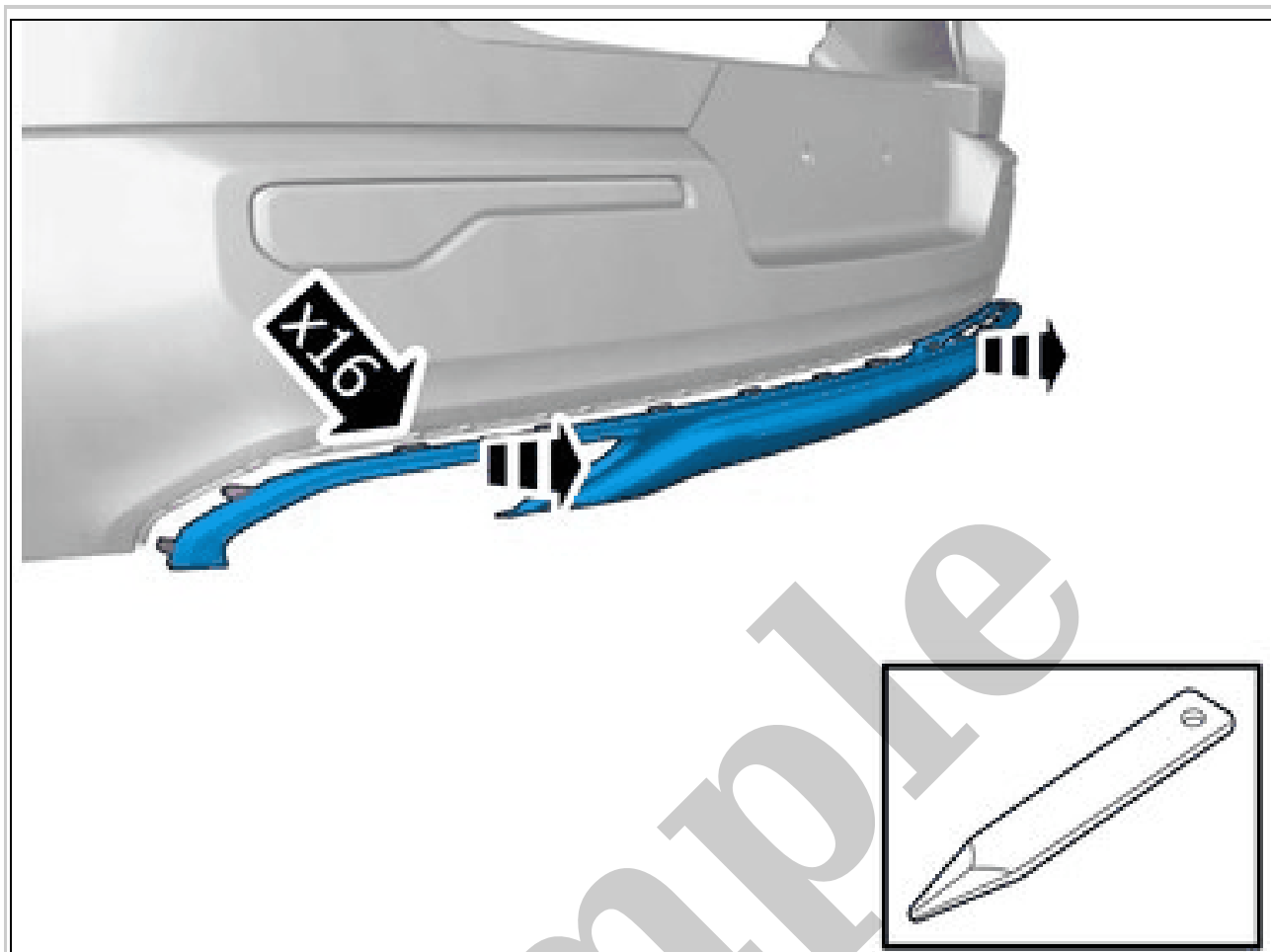
Loosen the component indicated. Do not remove it.



Courtesy of VOLVO CARS CORPORATION

Remove the clip.

Use: Pliers

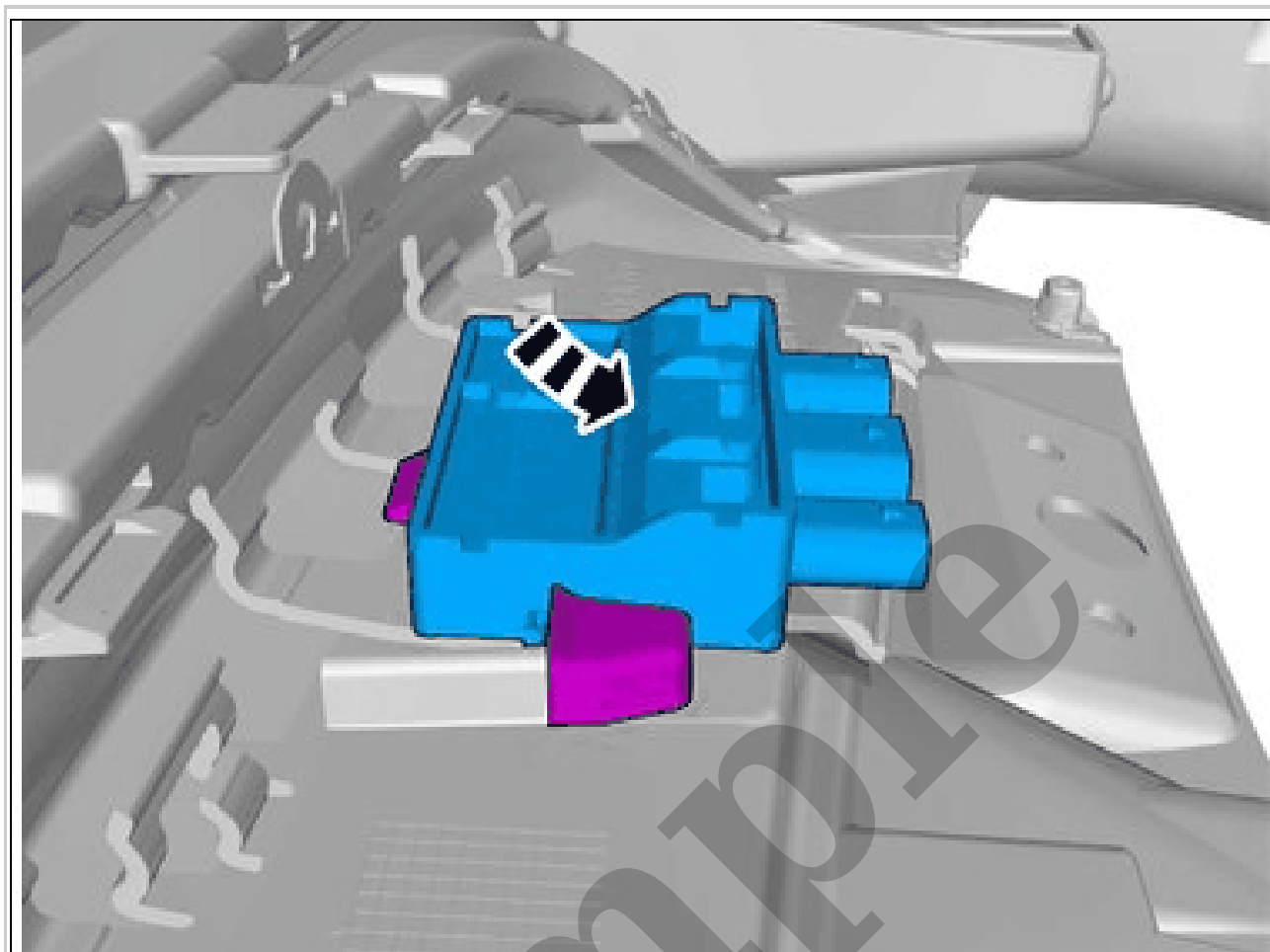


Courtesy of VOLVO CARS CORPORATION

Release the catches.

Remove the marked part.

ACCESSORY INSTALLATION



Courtesy of VOLVO CARS CORPORATION

Reinstall the removed part.