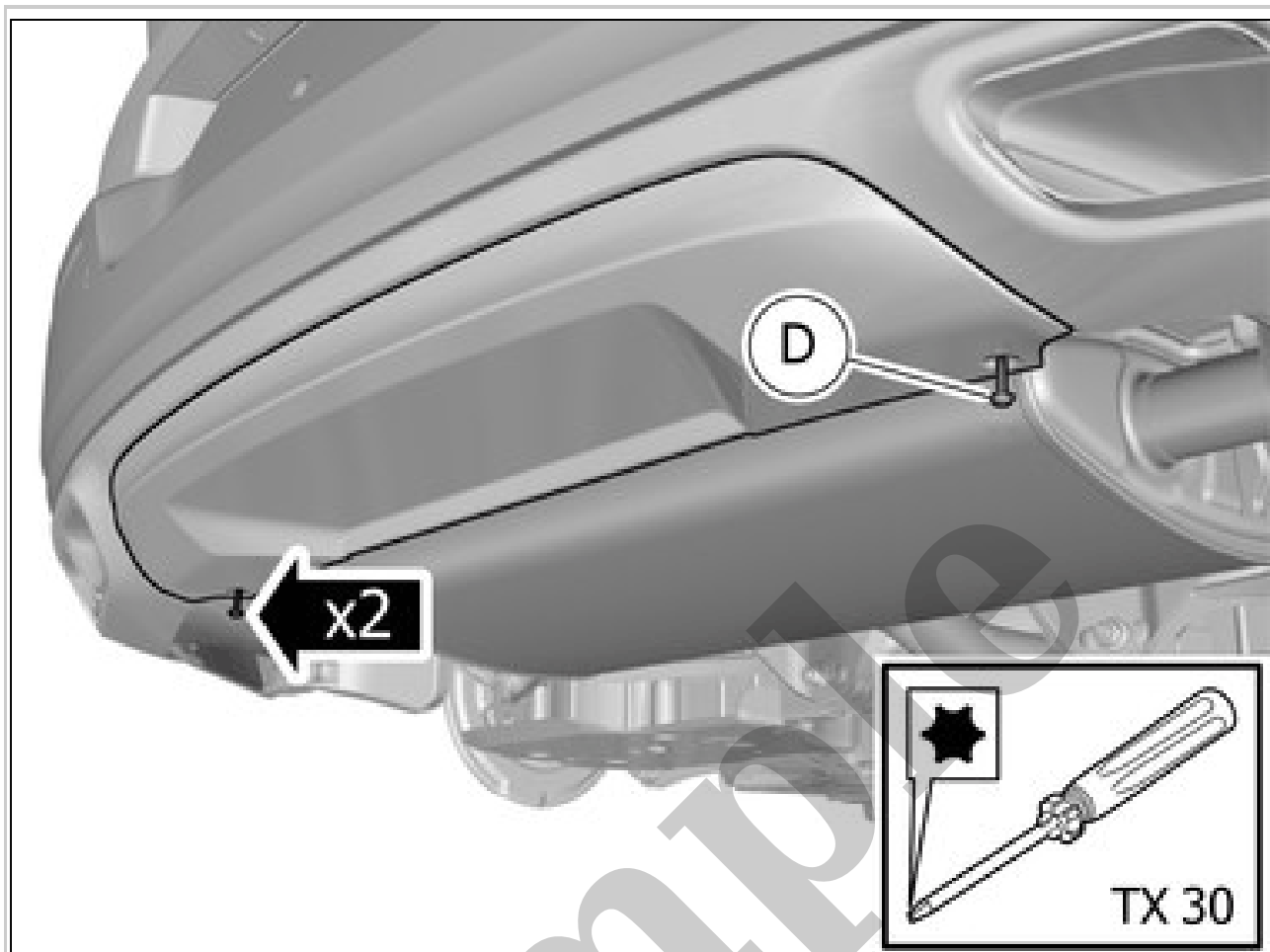


Your Ultimate Source for OEM Repair Manuals

FactoryManuals.net is a great resource for anyone who wants to save money on repairs by doing their own work. The manuals provide detailed instructions and diagrams that make it easy to understand how to fix a vehicle.

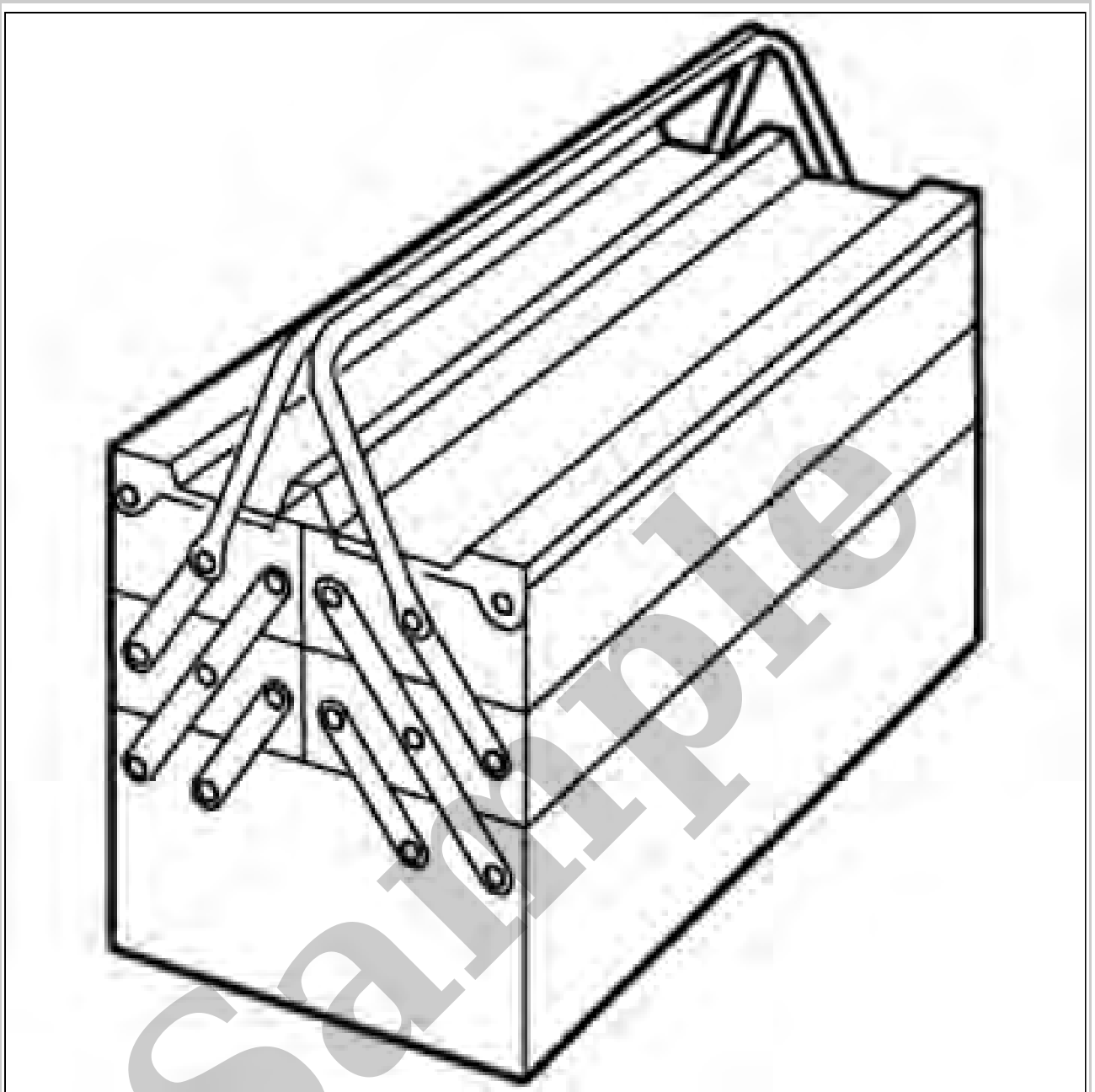
2015 Volvo S80 Service and Repair Manual

[Go to manual page](#)



Courtesy of VOLVO CARS CORPORATION

Install component that comes with the accessory kit.
Tighten the bolts.



Courtesy of VOLVO CARS CORPORATION



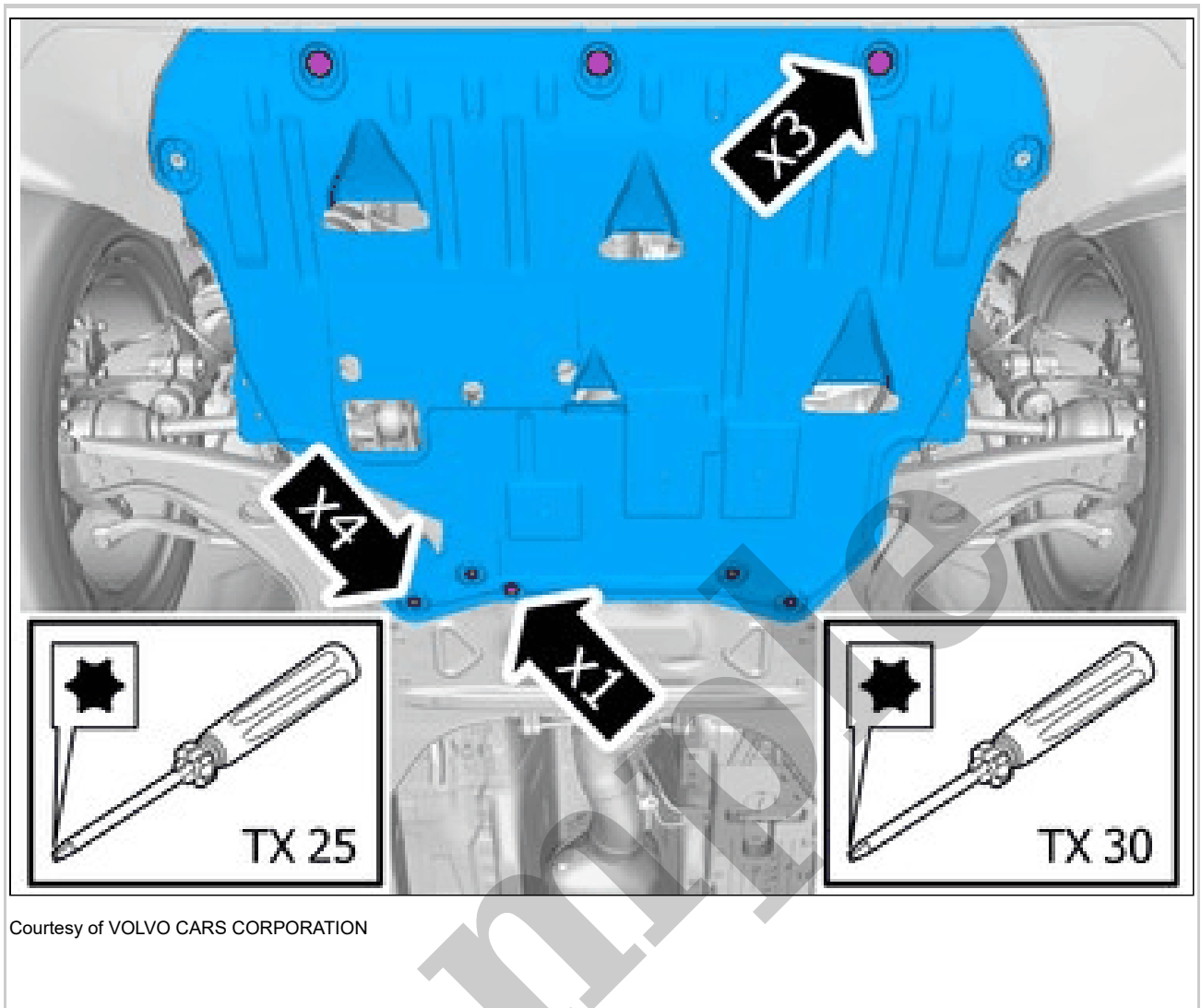
Courtesy of VOLVO CARS CORPORATION

Materials	
Designation	Part number
Masking tape	

INFORMATION

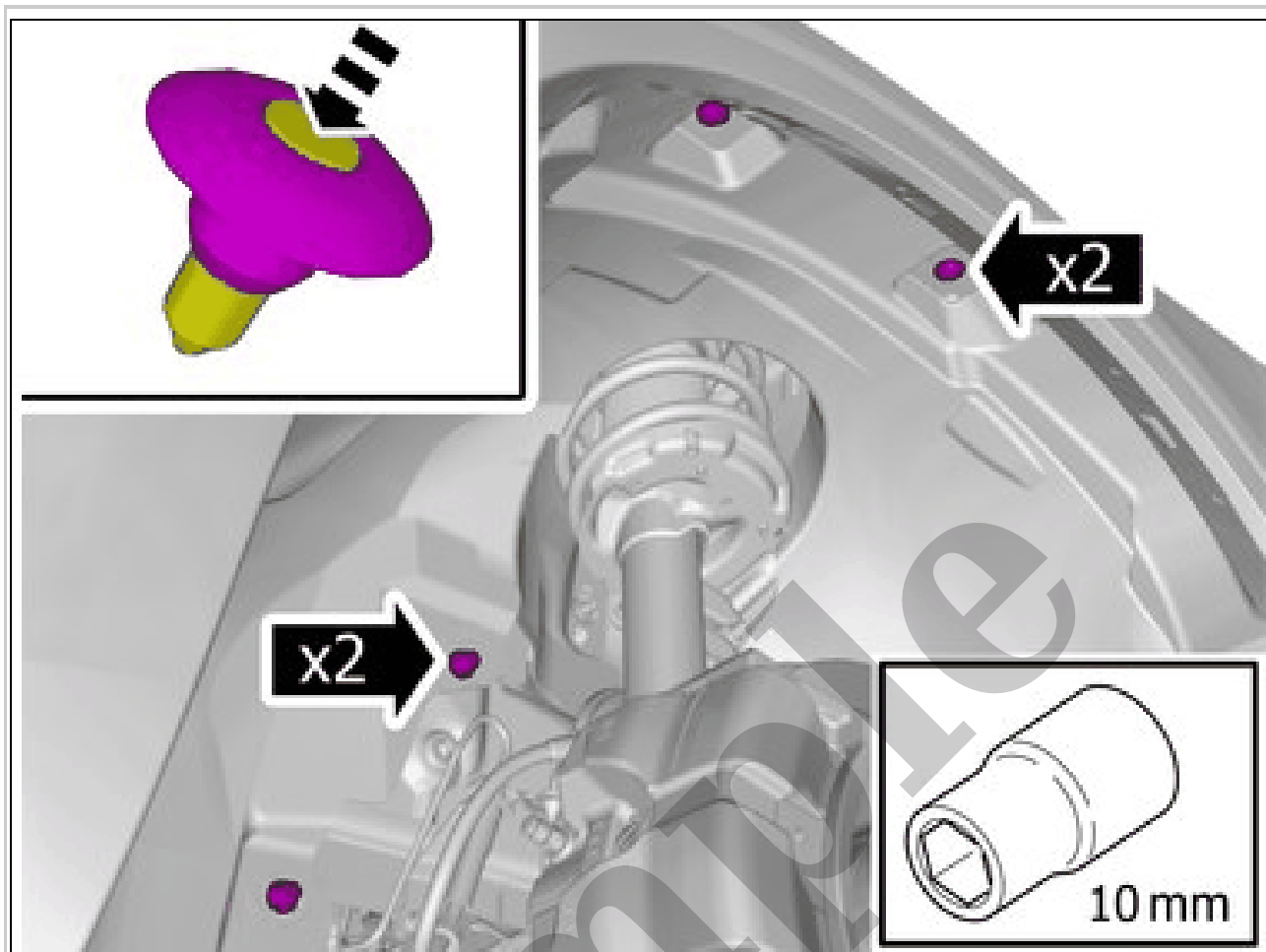
- Read through all of the instructions before starting installation.
- Notifications and warning texts are for your safety and to minimize the risk of something breaking during installation.
- Ensure that all tools stated in the instructions are available before starting installation.
- Certain steps in the instructions are only presented in the form of images. Explanatory text is also given for more complicated steps.
- In the event of any problems with the instructions or the accessory, contact your local Volvo dealer.

COLOR SYMBOLS



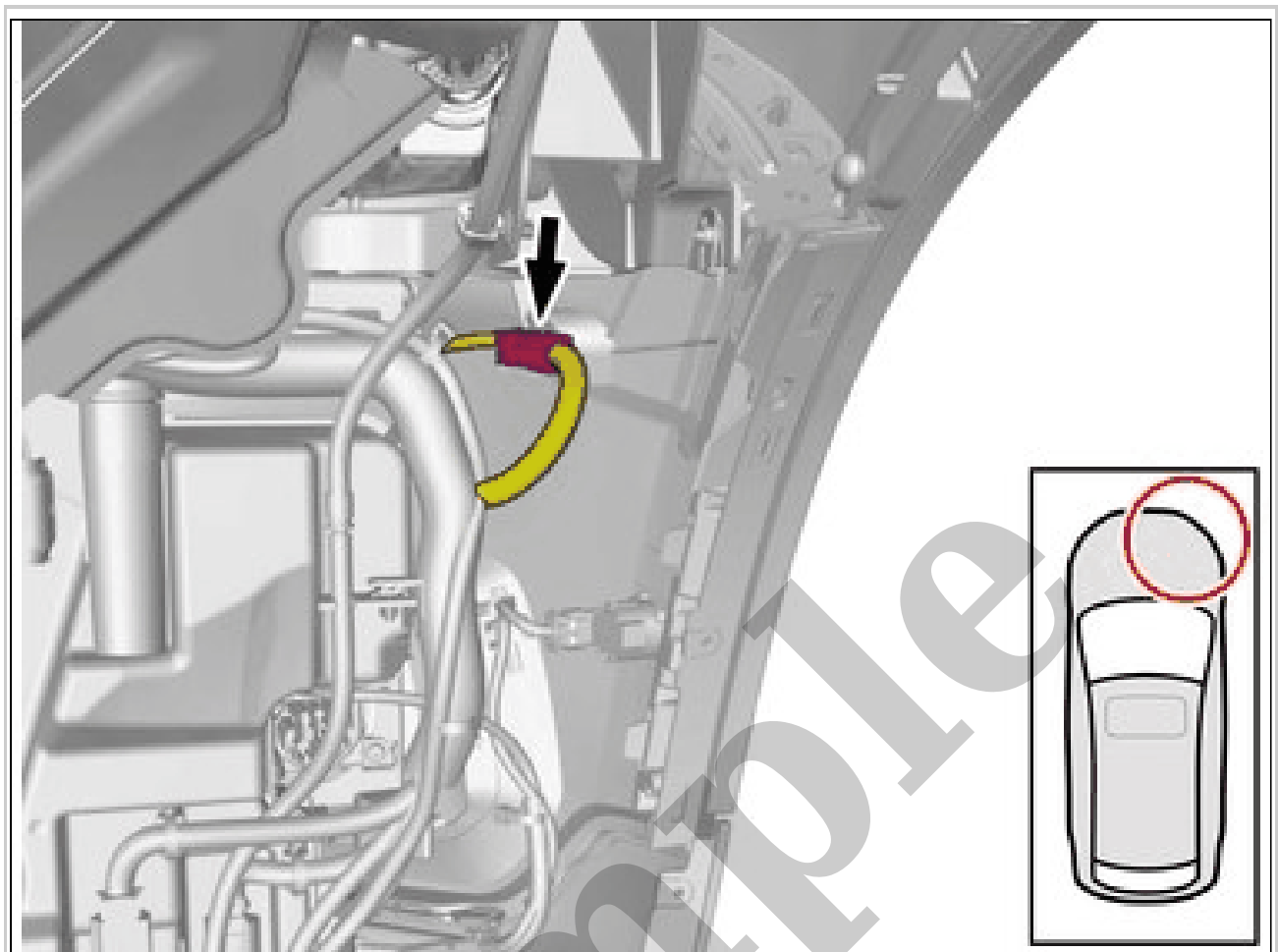
Courtesy of VOLVO CARS CORPORATION

Remove the screws.
Remove the clip.
Remove the marked part.



Courtesy of VOLVO CARS CORPORATION

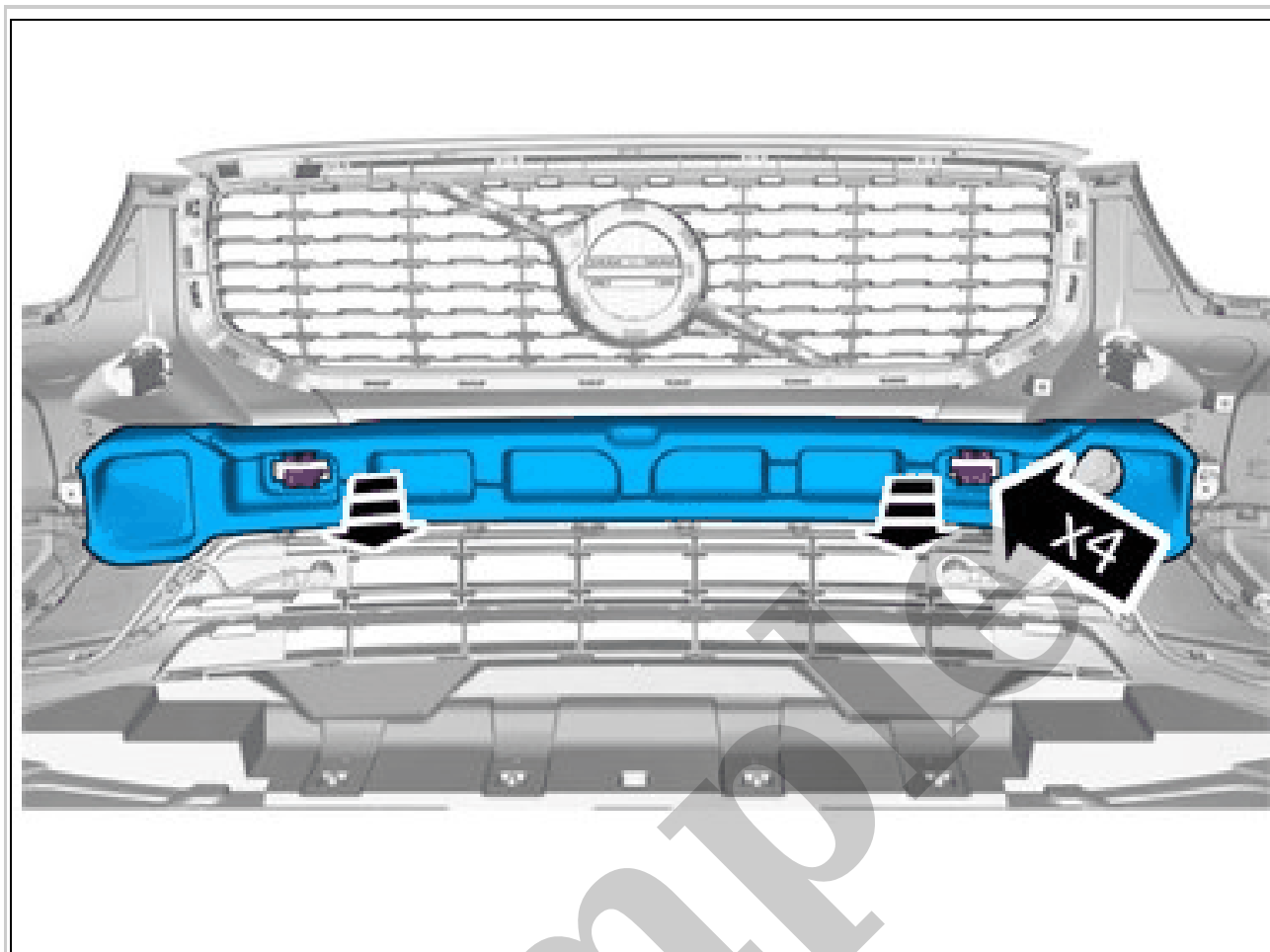
Remove the nuts.
Remove the clips.



Courtesy of VOLVO CARS CORPORATION

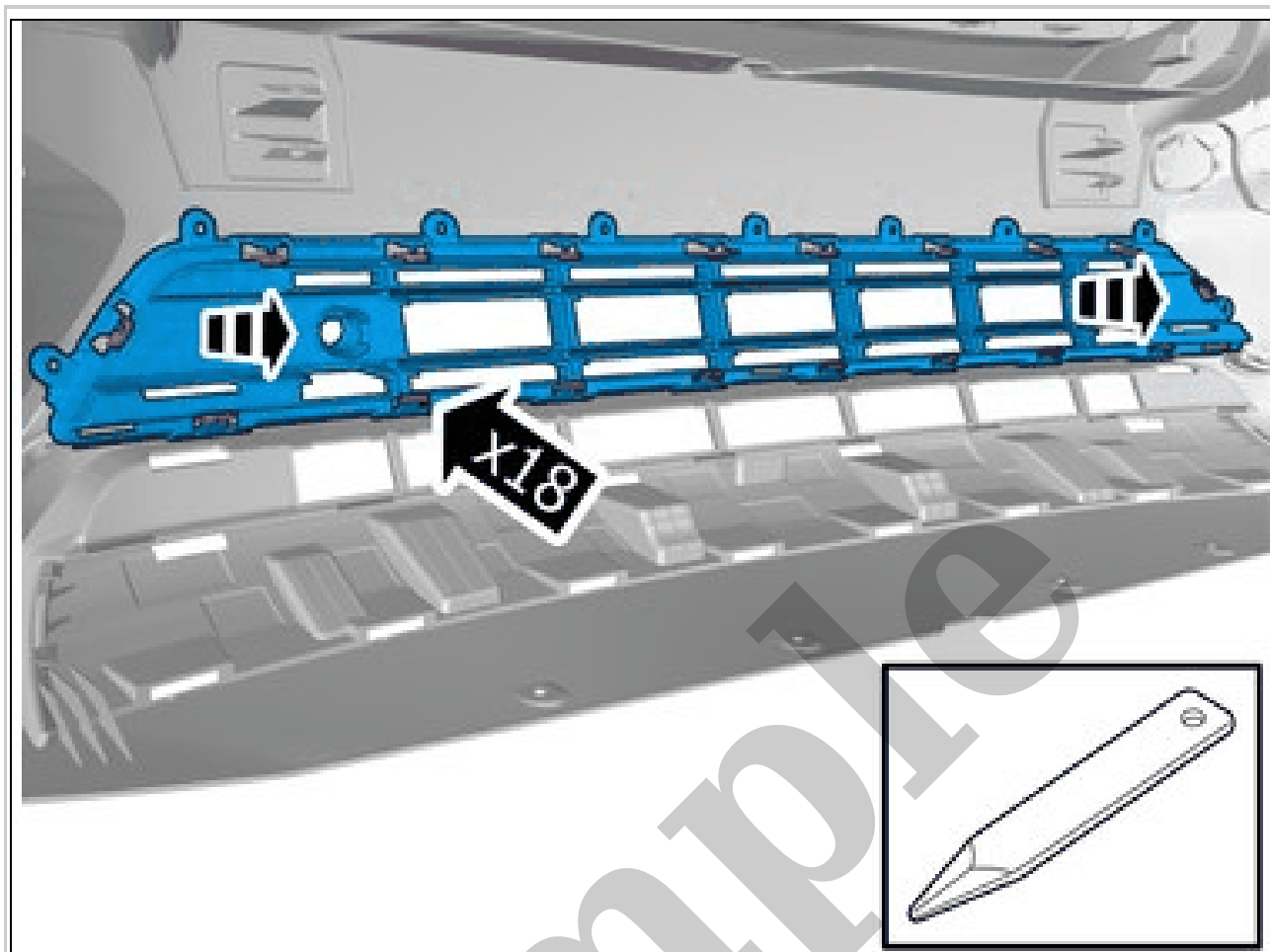
NOTE: *The number of connectors may vary depending on the vehicle's equipment level.*

Disconnect the connector.



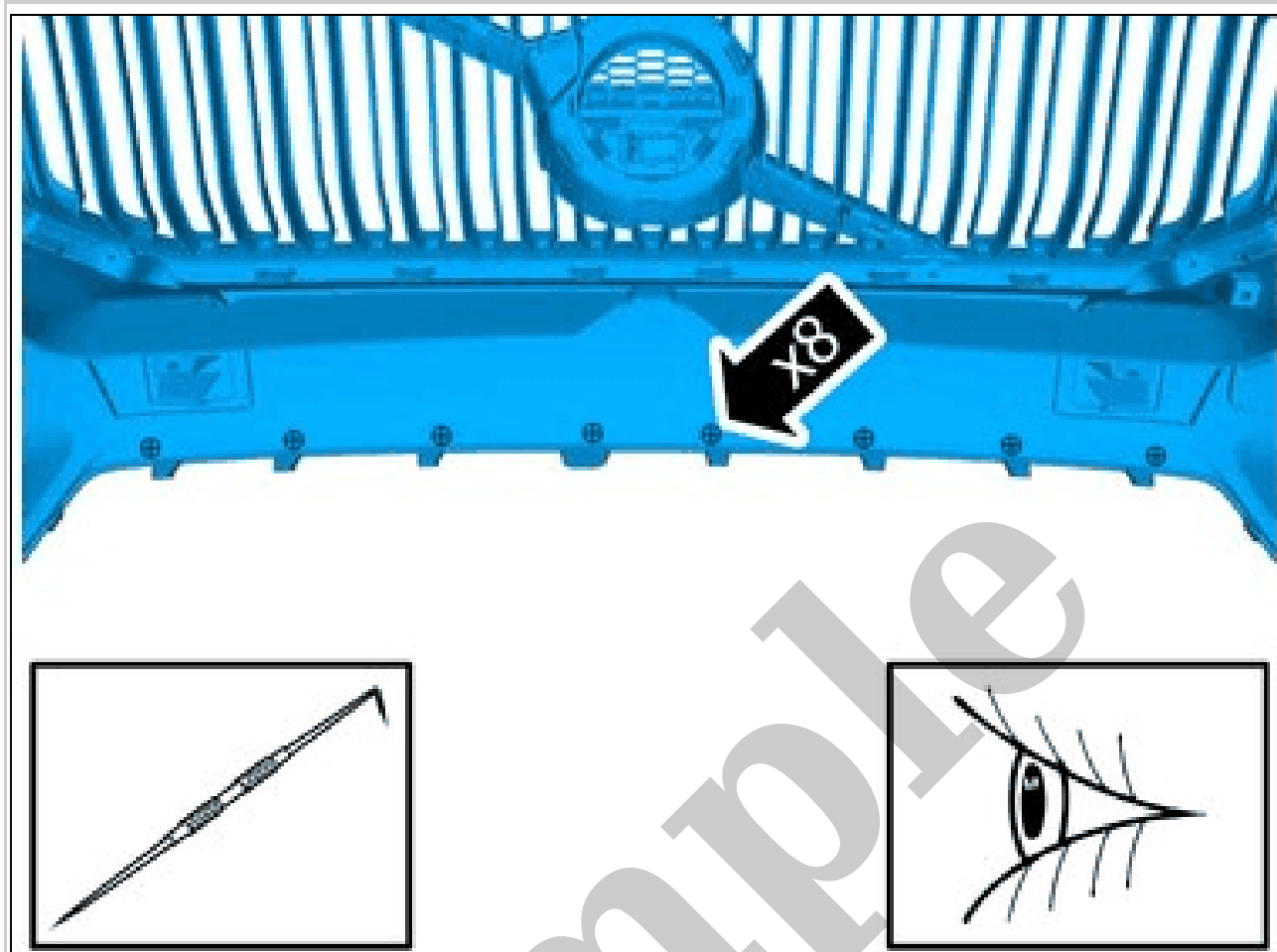
Courtesy of VOLVO CARS CORPORATION

Release the catches.
Remove the marked part.



Courtesy of VOLVO CARS CORPORATION

Release the catches.
Remove the marked part.



Courtesy of VOLVO CARS CORPORATION

Locate relevant marking.
Mark the center.