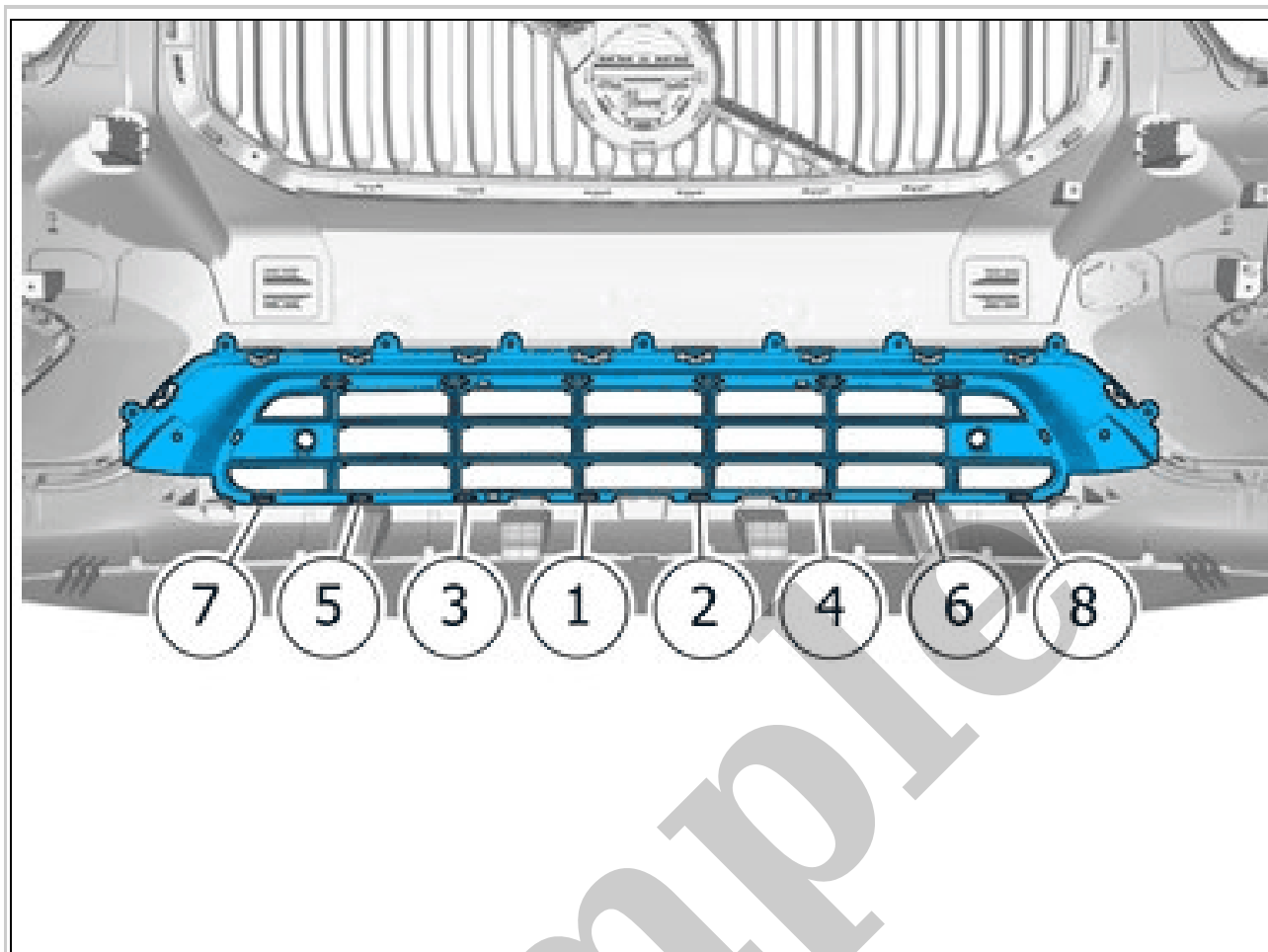


# Your Ultimate Source for OEM Repair Manuals

FactoryManuals.net is a great resource for anyone who wants to save money on repairs by doing their own work. The manuals provide detailed instructions and diagrams that make it easy to understand how to fix a vehicle.

## 2015 Volvo S60 Manual - Service & Repair Guide

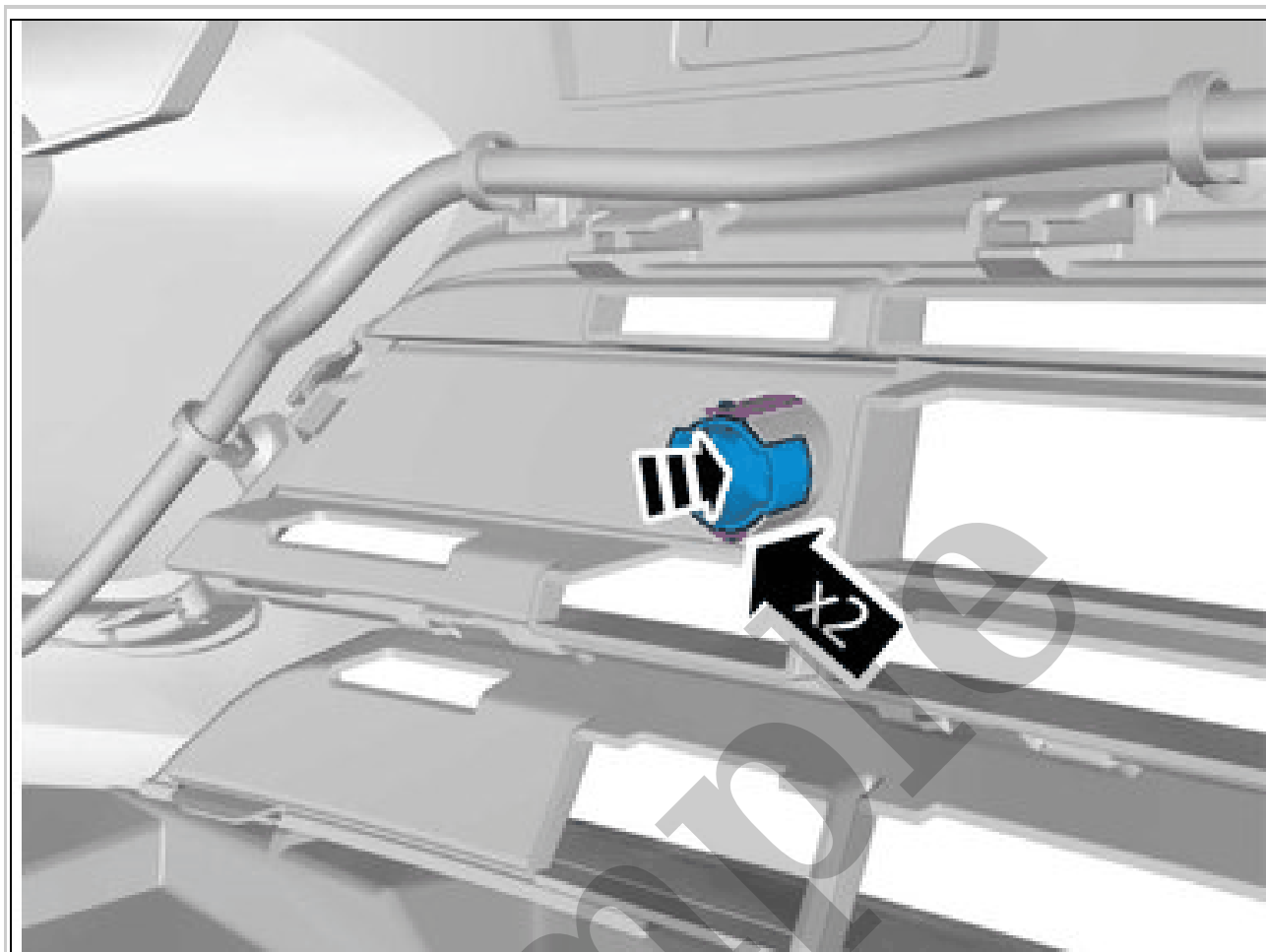
[Go to manual page](#)



Courtesy of VOLVO CARS CORPORATION

**NOTE:** Make sure to follow the sequence indicated.

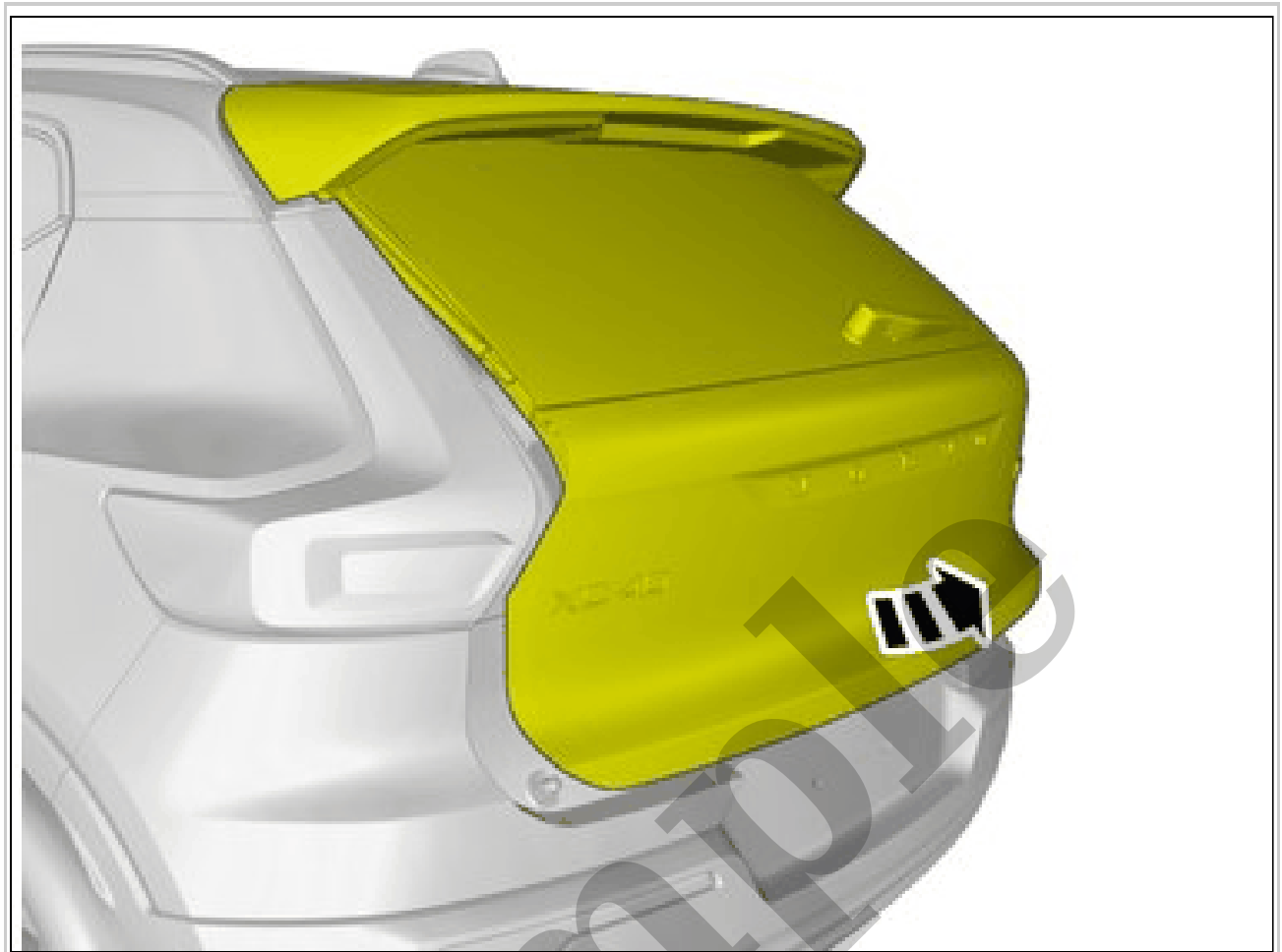
Press the marked component.  
Ensure that all clips engage.



Courtesy of VOLVO CARS CORPORATION

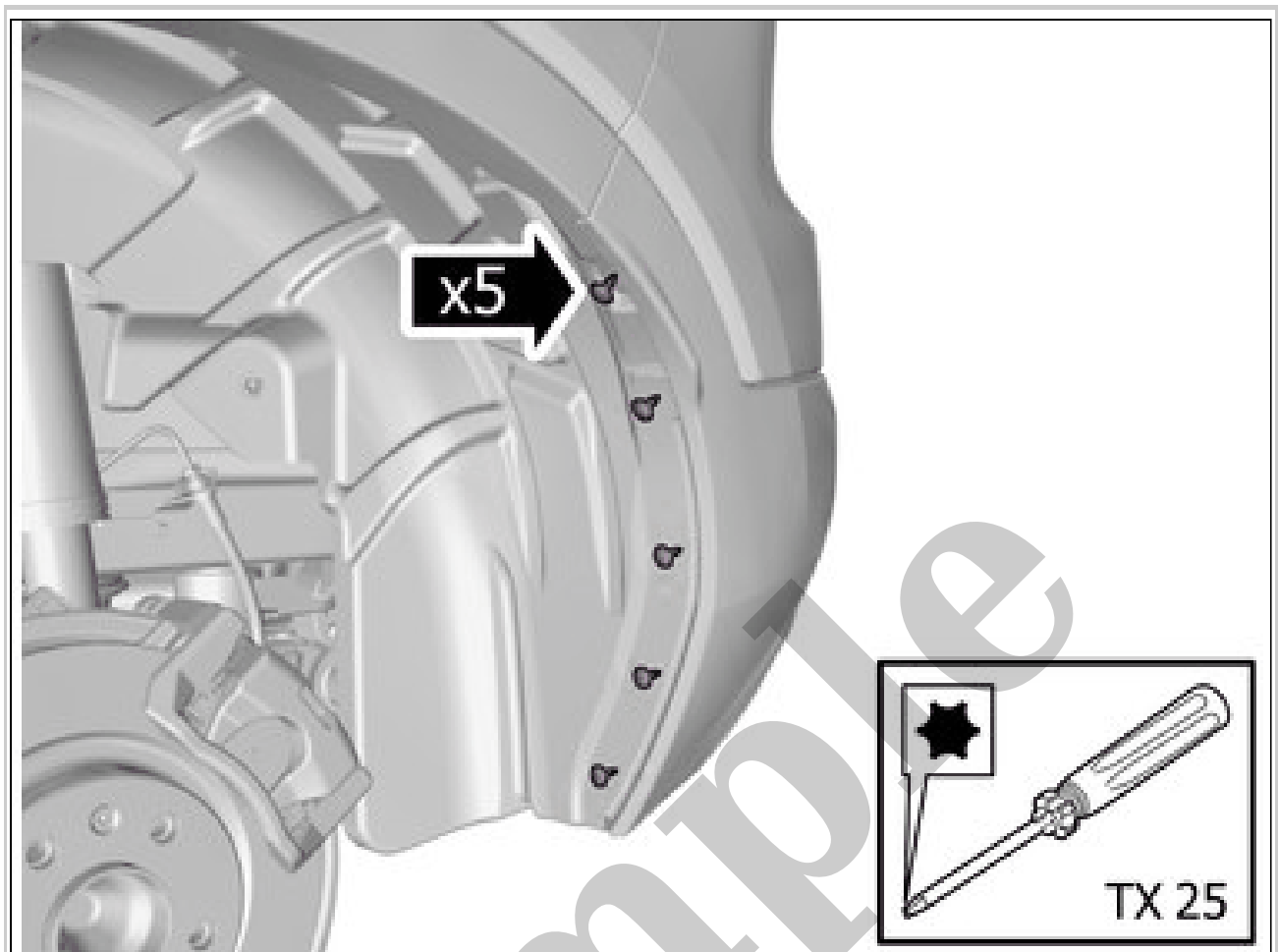
Install the marked component.  
Repeat on the other side.

**VEHICLES WITH PARKING ASSISTANCE**



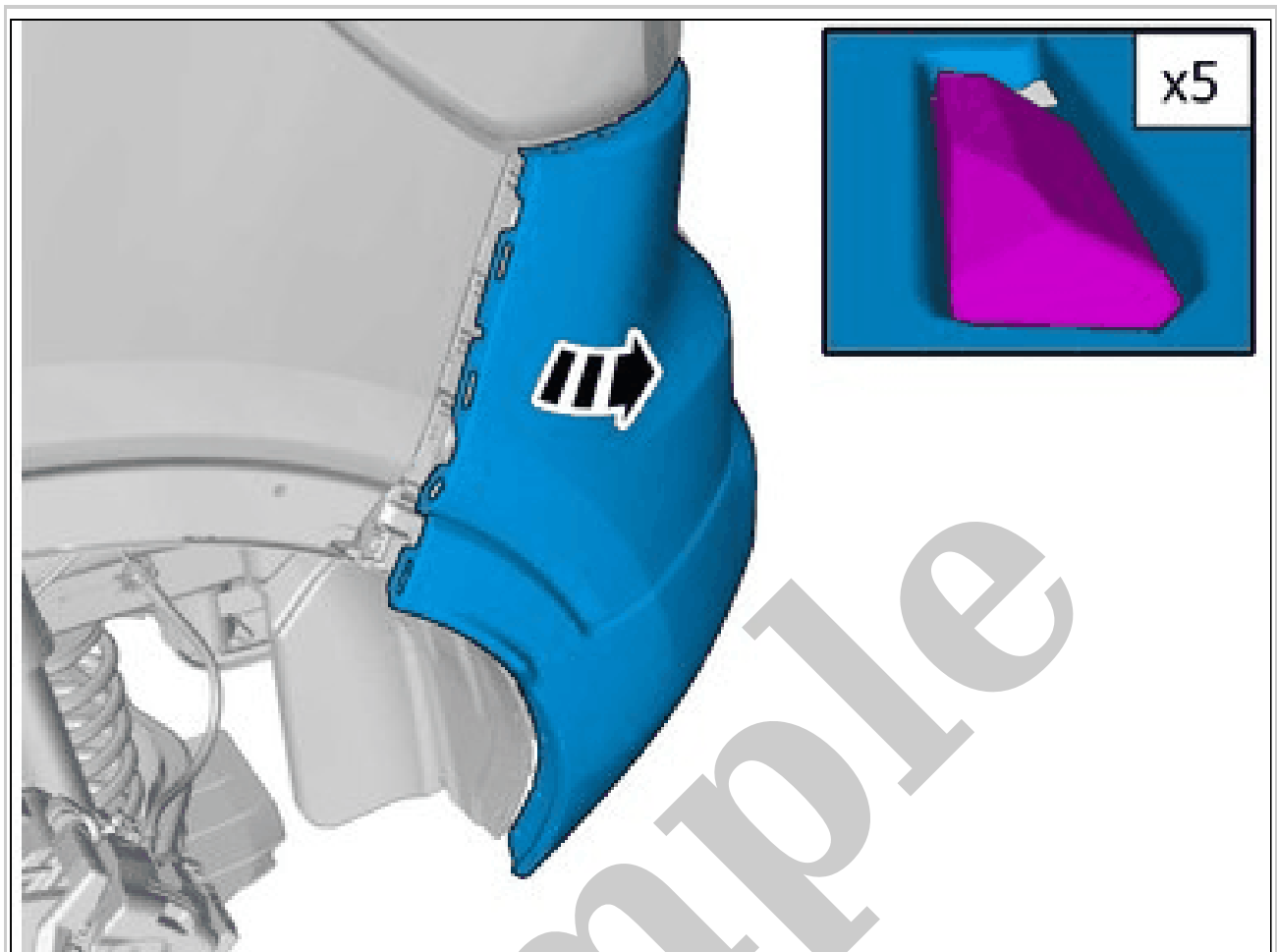
Courtesy of VOLVO CARS CORPORATION

Open the tailgate.



Courtesy of VOLVO CARS CORPORATION

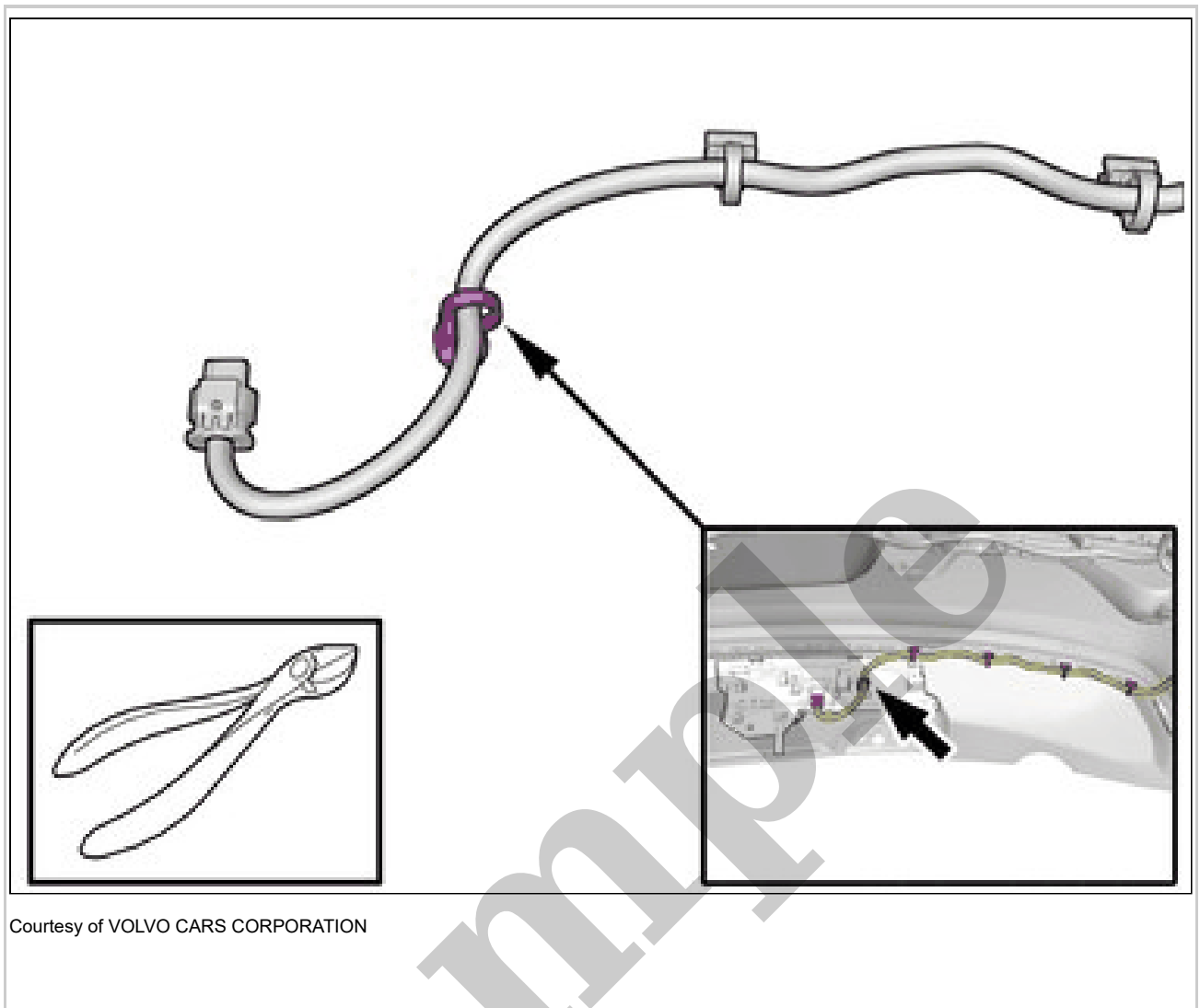
Remove the screws.



Courtesy of VOLVO CARS CORPORATION

**CAUTION:** *Be extra careful when removing or installing this component.*

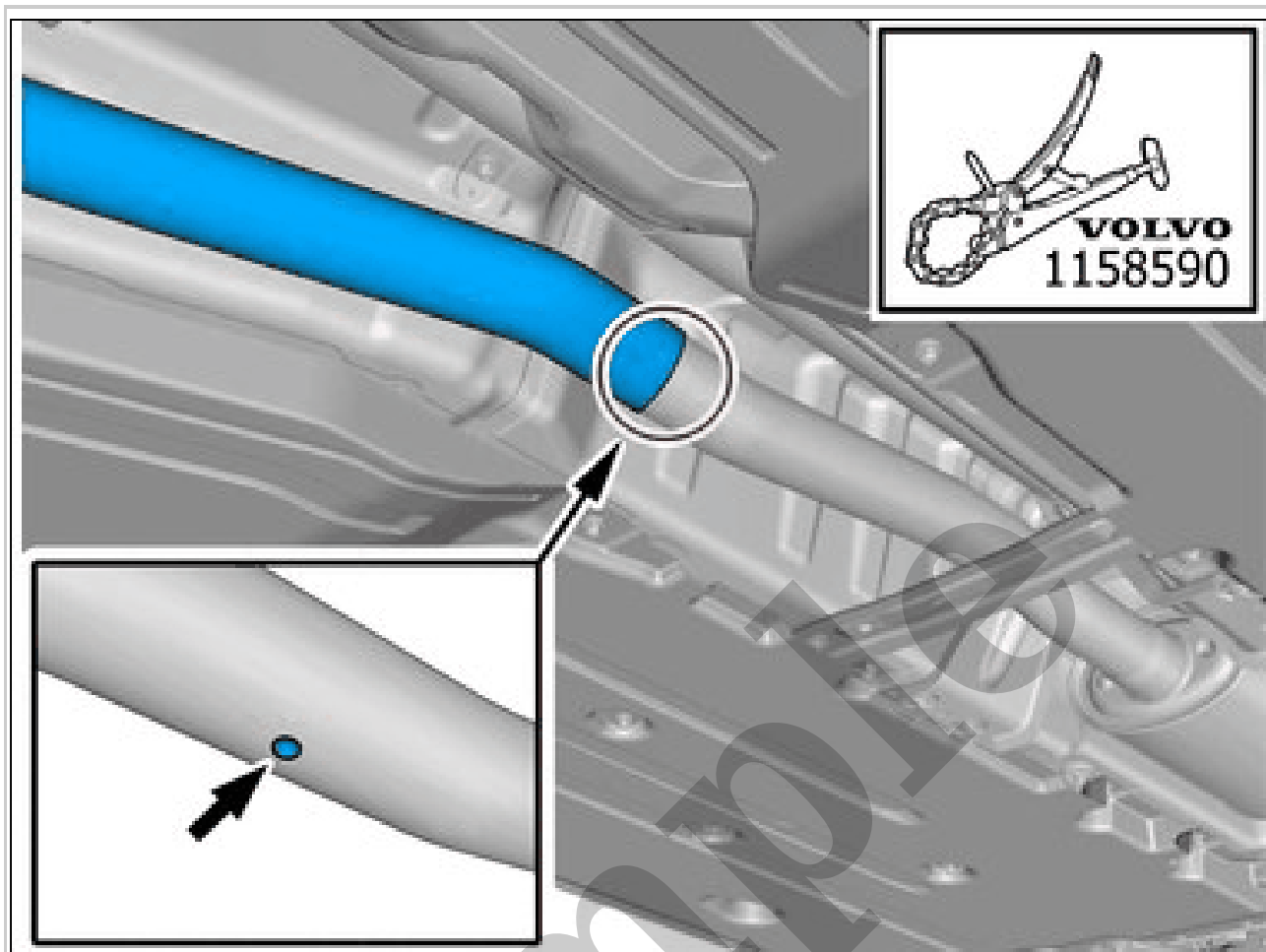
Loosen the component indicated. Do not remove it.



Courtesy of VOLVO CARS CORPORATION

Remove the clip.

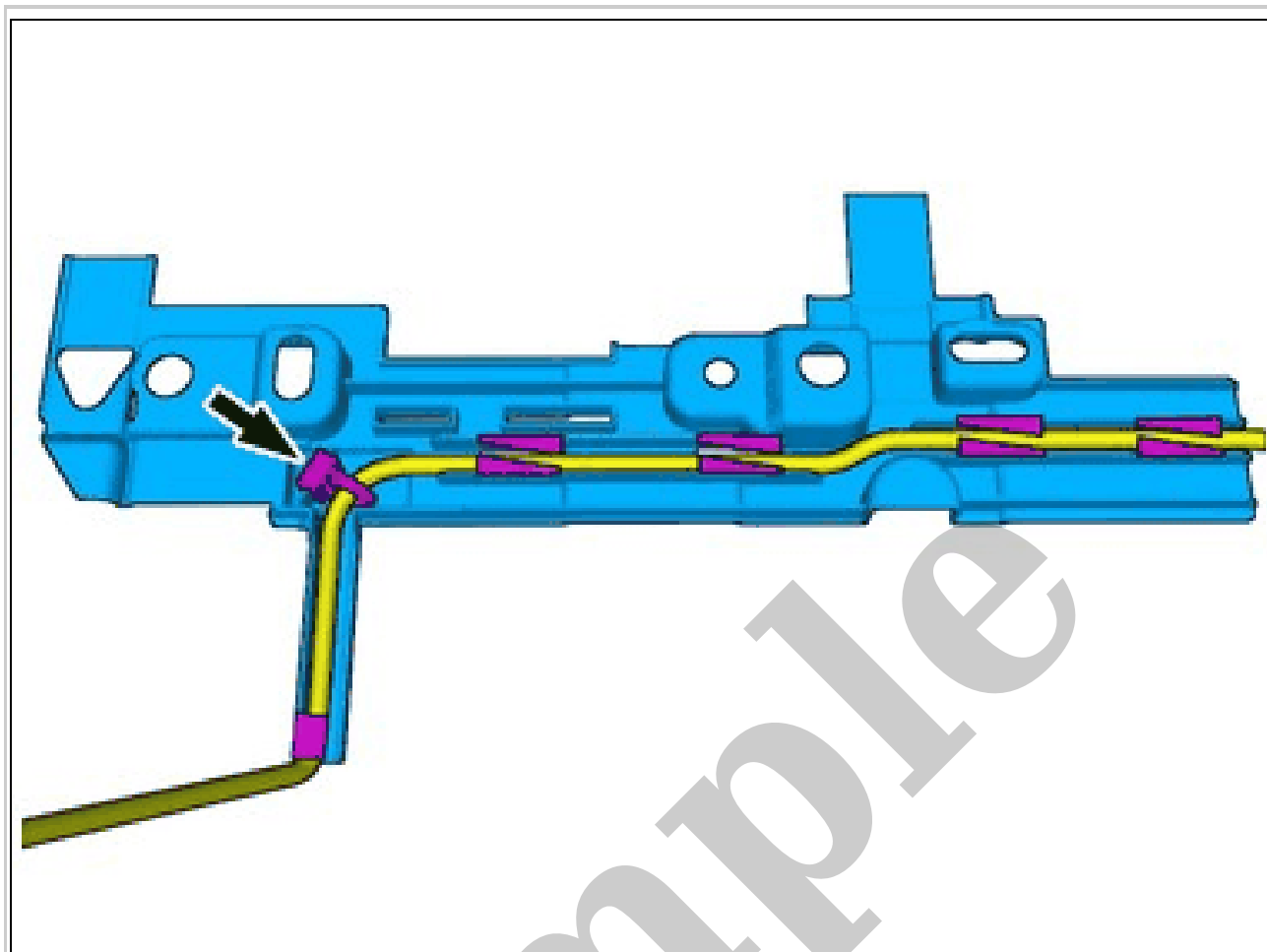
**Use:** Pliers



Courtesy of VOLVO CARS CORPORATION

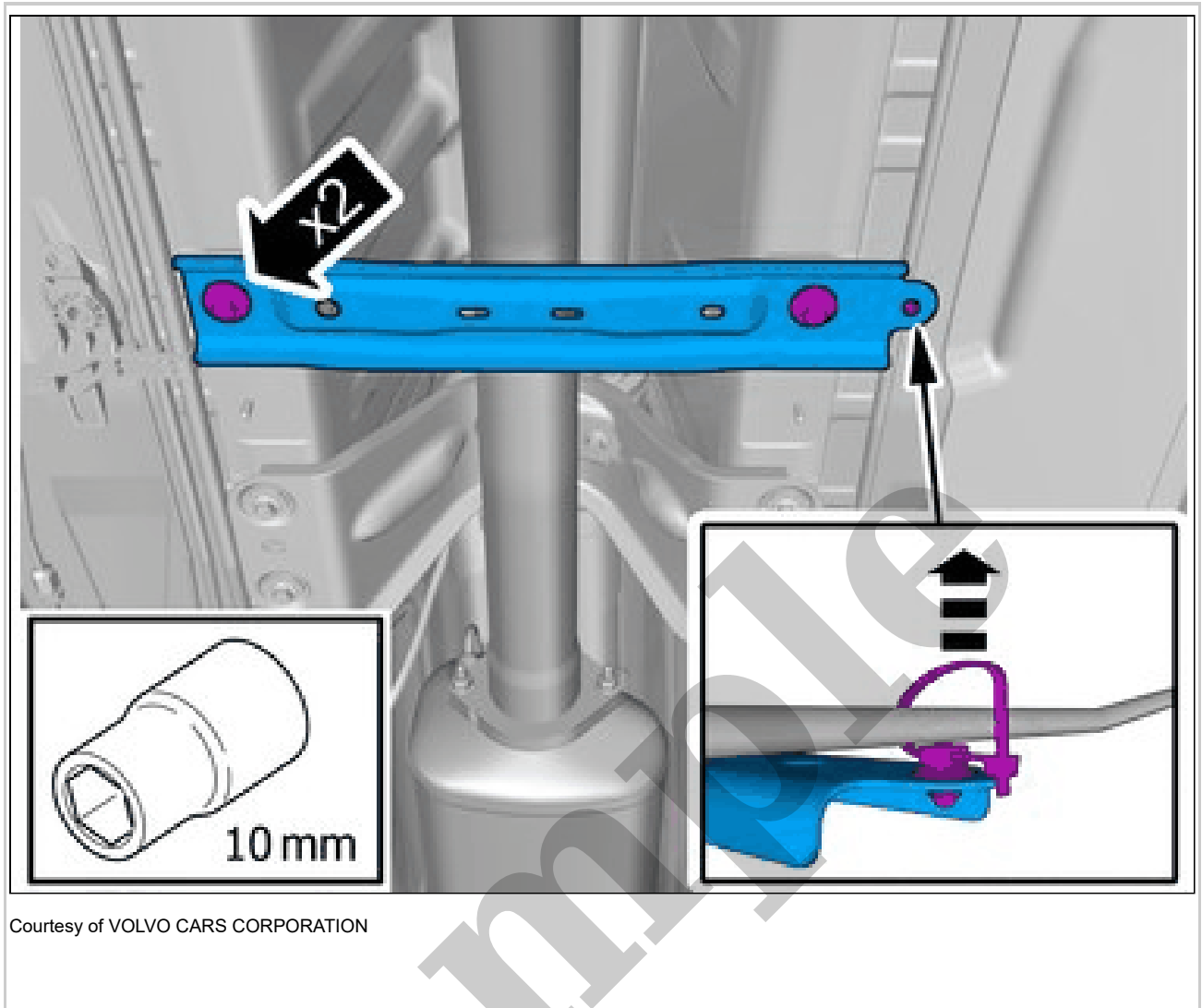
Locate relevant marking.  
Remove the marked part.  
Special Tool: 115 8590 PIPE CUTTER





Courtesy of VOLVO CARS CORPORATION

Remove the cable harness clips.  
Remove the marked part.



Loosen the clip.  
Remove the screws.  
**Torque:** M8, 24Nm  
Remove the marked part.