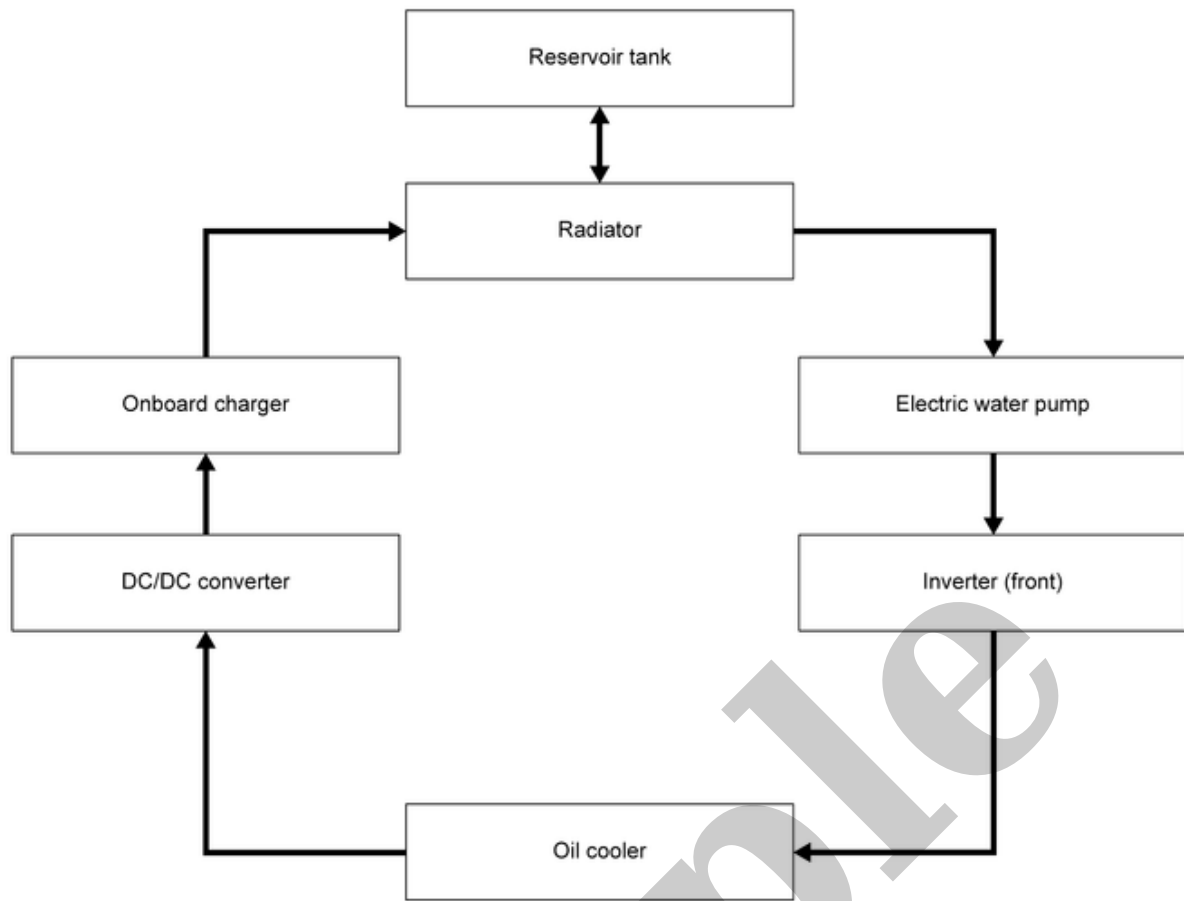


Your Ultimate Source for OEM Repair Manuals

FactoryManuals.net is a great resource for anyone who wants to save money on repairs by doing their own work. The manuals provide detailed instructions and diagrams that make it easy to understand how to fix a vehicle.

2015 Nissan Frontier Repair Manual & Service Guide

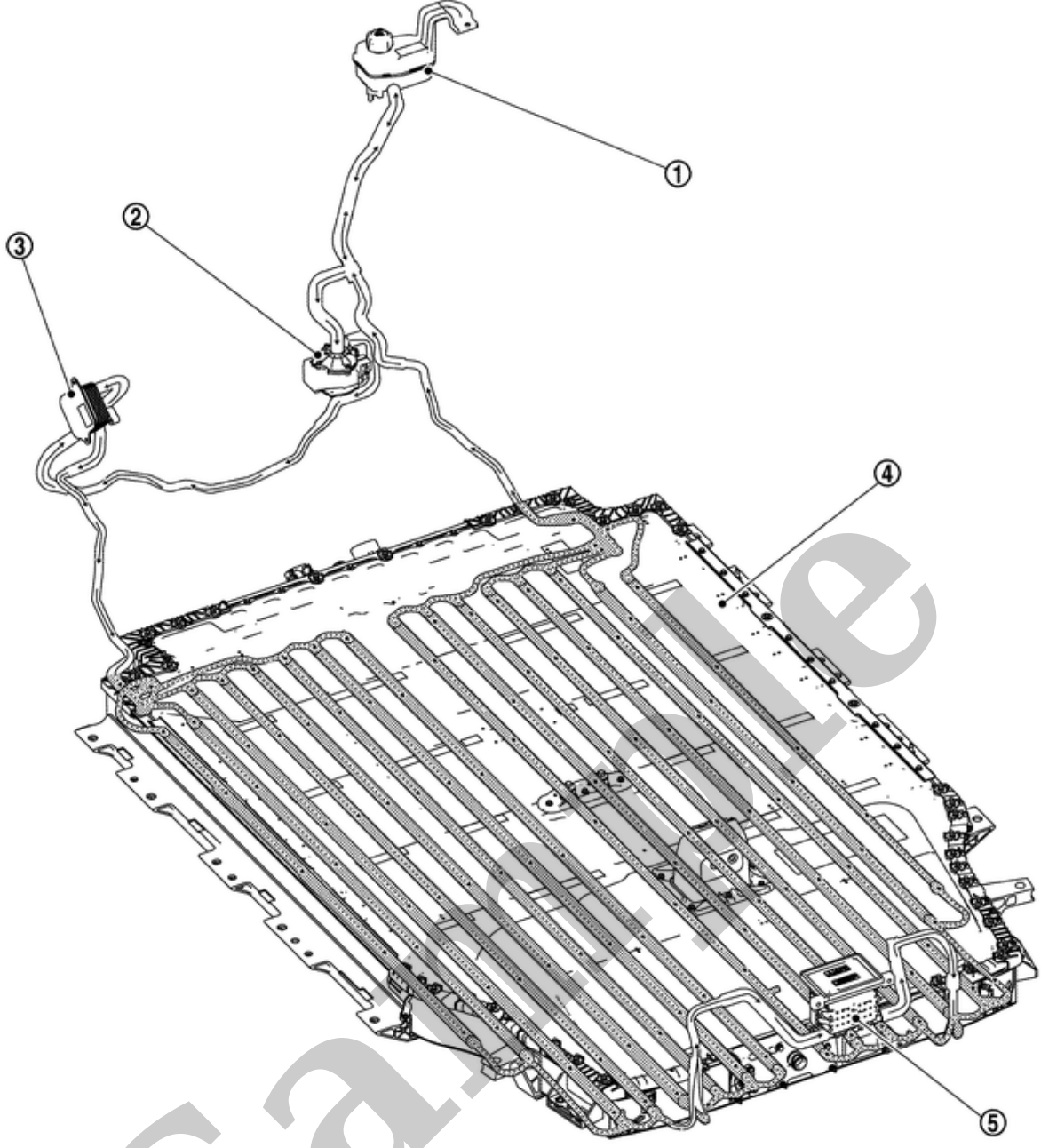
[Go to manual page](#)



SIEMD-6897972-05-000396407

LI-ION BATTERY COOLING SYSTEM

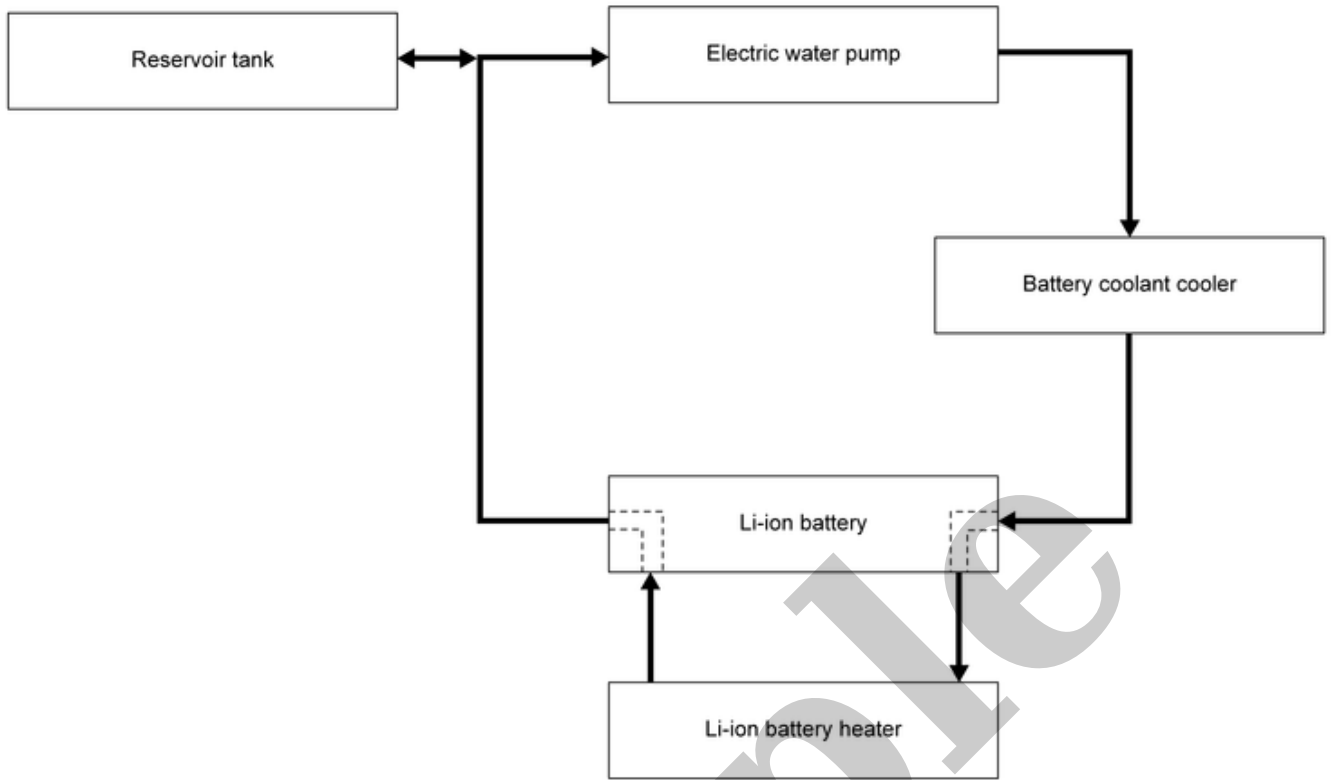
COOLING SYSTEM DIAGRAM



SIEMD-6897972-03-000346981

①	Reservoir tank	②	Electric water pump	③	Battery coolant cooler
④	Li-ion battery	⑤	Battery heater		

LI-ION BATTERY COOLING SYSTEM SCHEMATIC

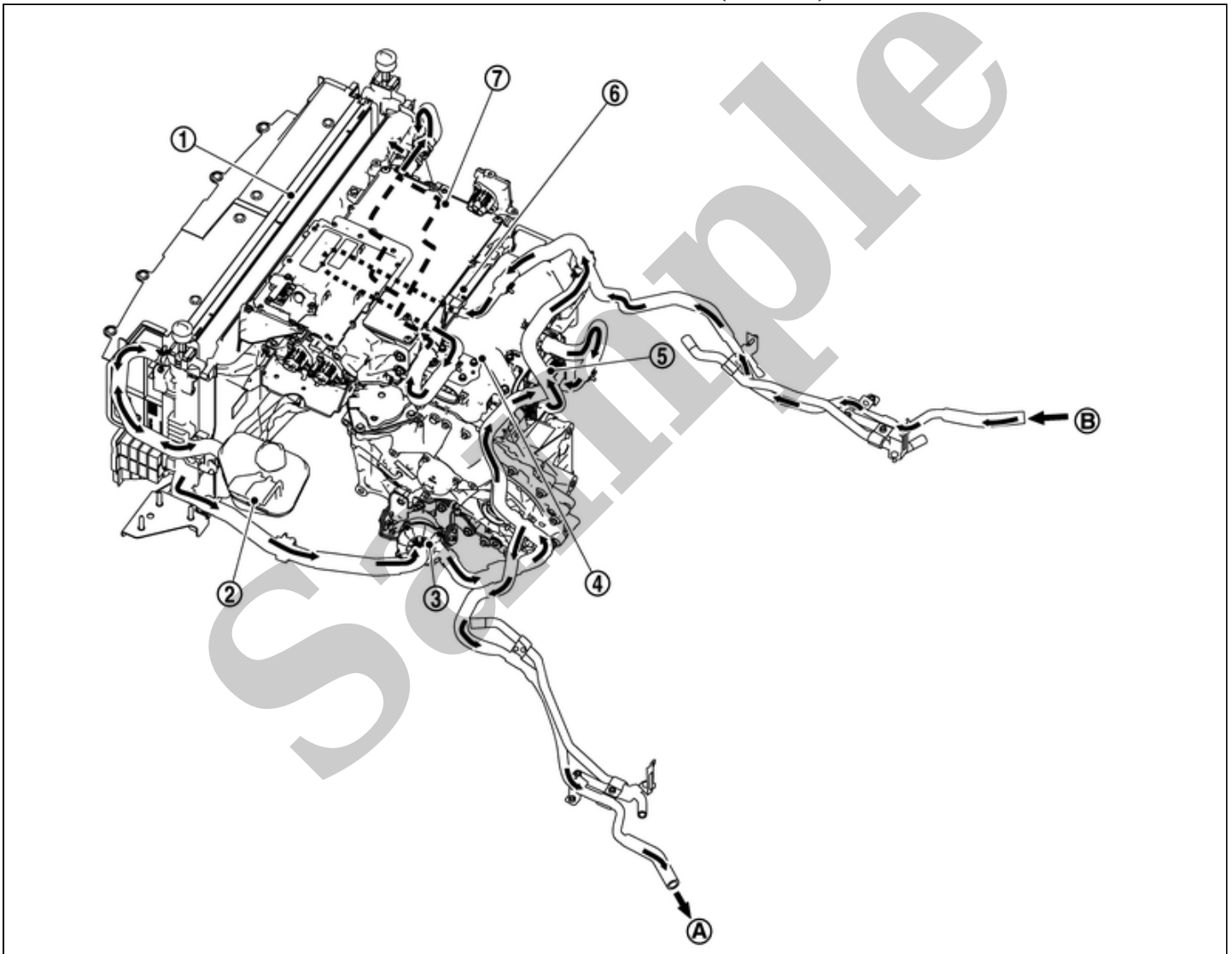


SIEMD-6897972-04-000389575

- The high-voltage cooling system is the system which cools the following high-voltage components.
 - Traction motor inverter
 - DC/DC converter
 - Onboard charger
 - Li-ion battery
- Coolant is circulated by means of the electric water pump.

ELECTRIC POWER TRAIN COOLING SYSTEM

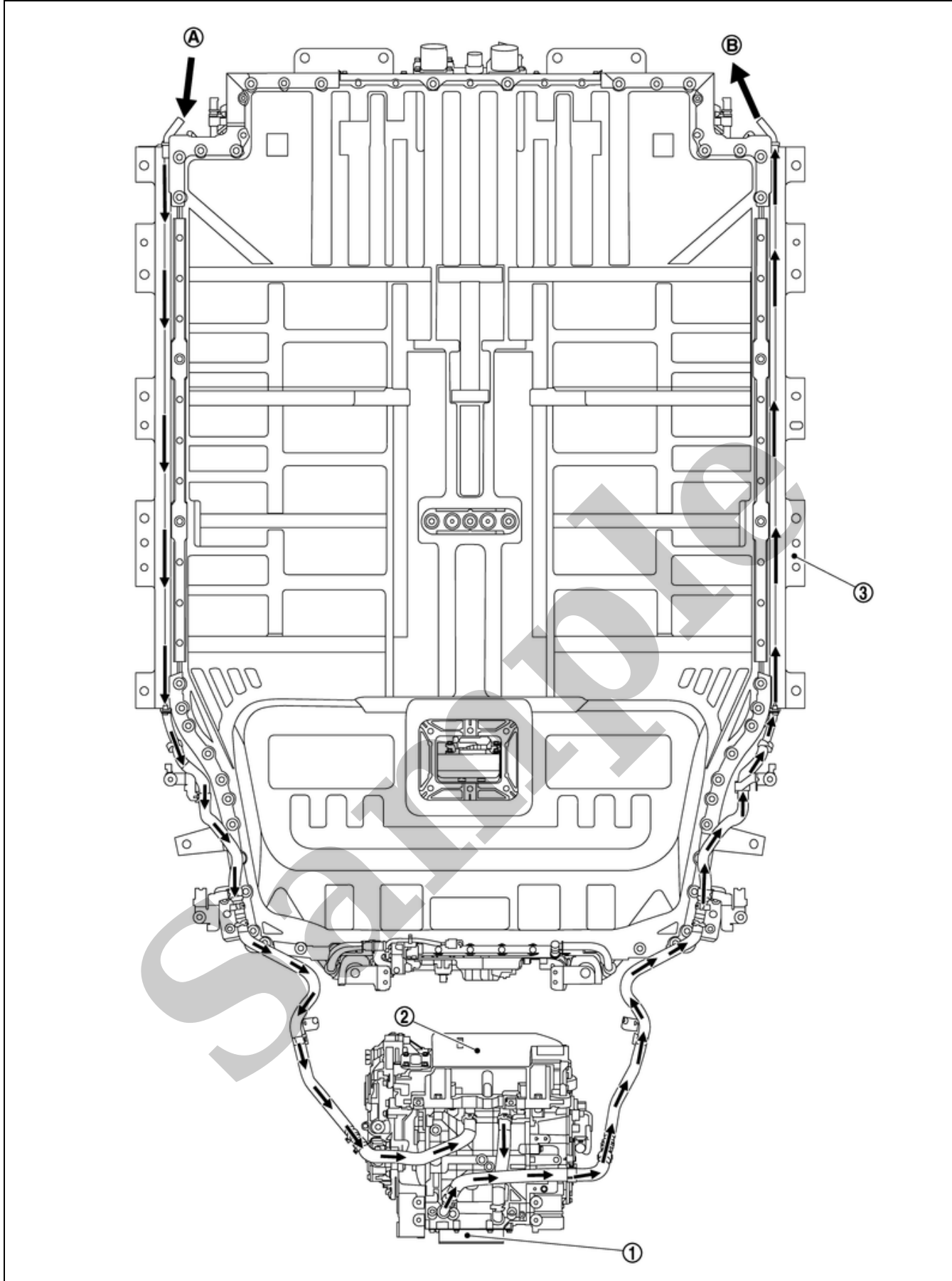
COOLING SYSTEM DIAGRAM (Front side)



SIEMD-7330755-01-000396406

①	Radiator	②	Reservoir tank	③	Electric water pump
④	Inverter (front)	⑤	Oil cooler (front)	⑥	DC/DC converter
⑦	Onboard charger				
Ⓐ	To inverter (rear)	Ⓑ	From oil cooler (rear)		

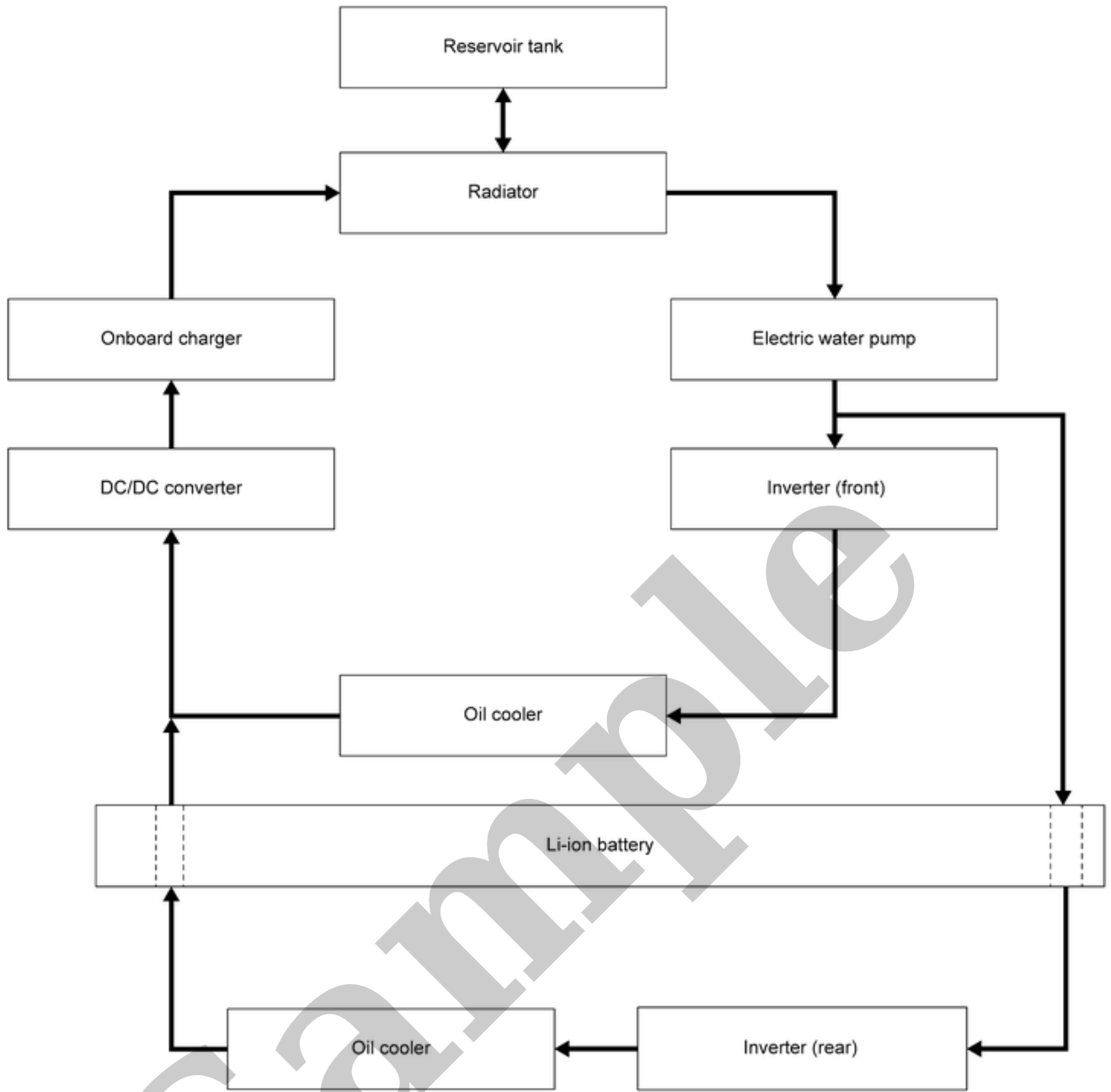
COOLING SYSTEM DIAGRAM (Rear side)



SIEMD-7330755-04-000399434

①	Oil cooler (rear)	②	Inverter (rear)	③	Li-ion battery
Ⓐ	From electric water pump	Ⓑ	To DC/DC converter		

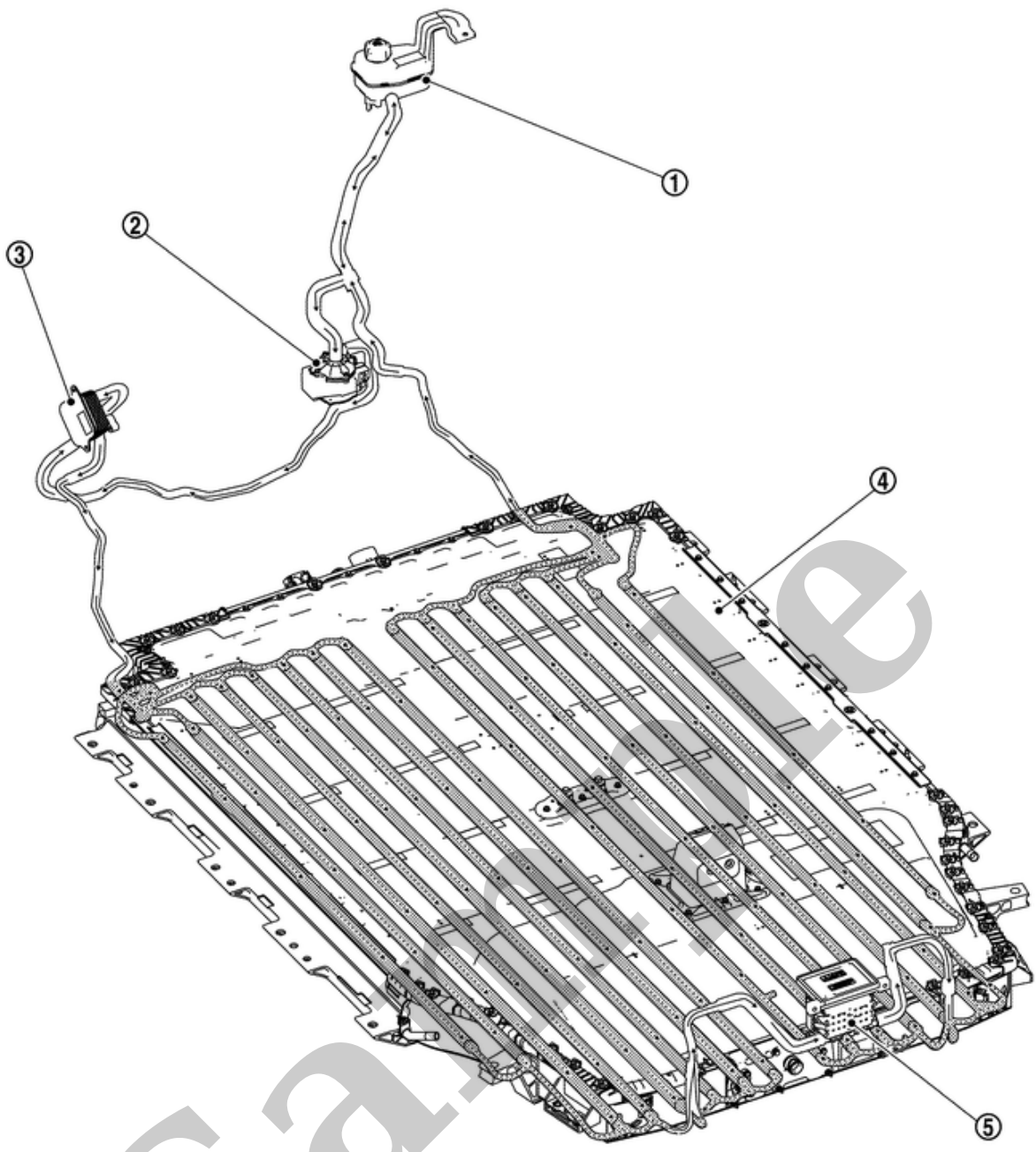
HIGH VOLTAGE COOLING SYSTEM SCHEMATIC



SIEMD-7330755-03-000396405

LI-ION BATTERY COOLING SYSTEM

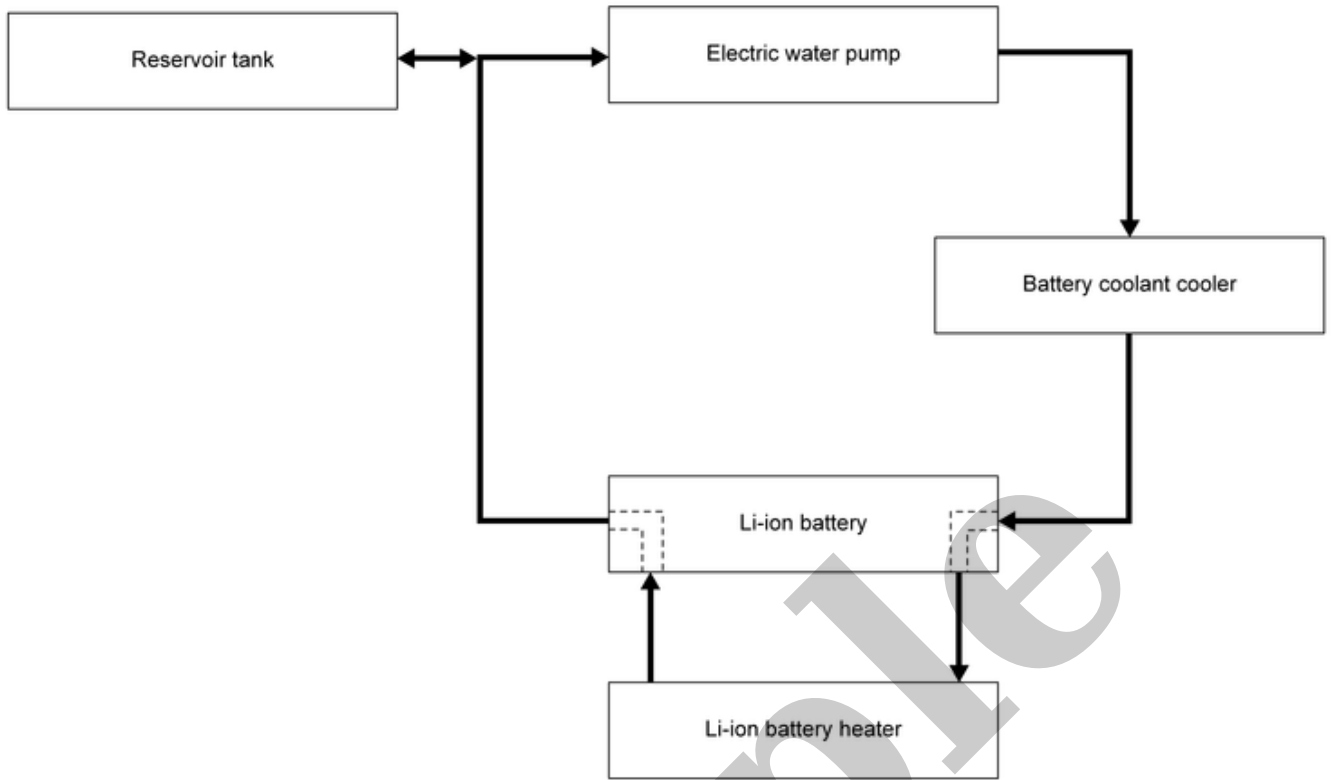
COOLING SYSTEM DIAGRAM



SIEMD-7330755-05-000399435

①	Reservoir tank	②	Electric water pump	③	Battery coolant cooler
④	Li-ion battery	⑤	Battery heater		

LI-ION BATTERY COOLING SYSTEM SCHEMATIC

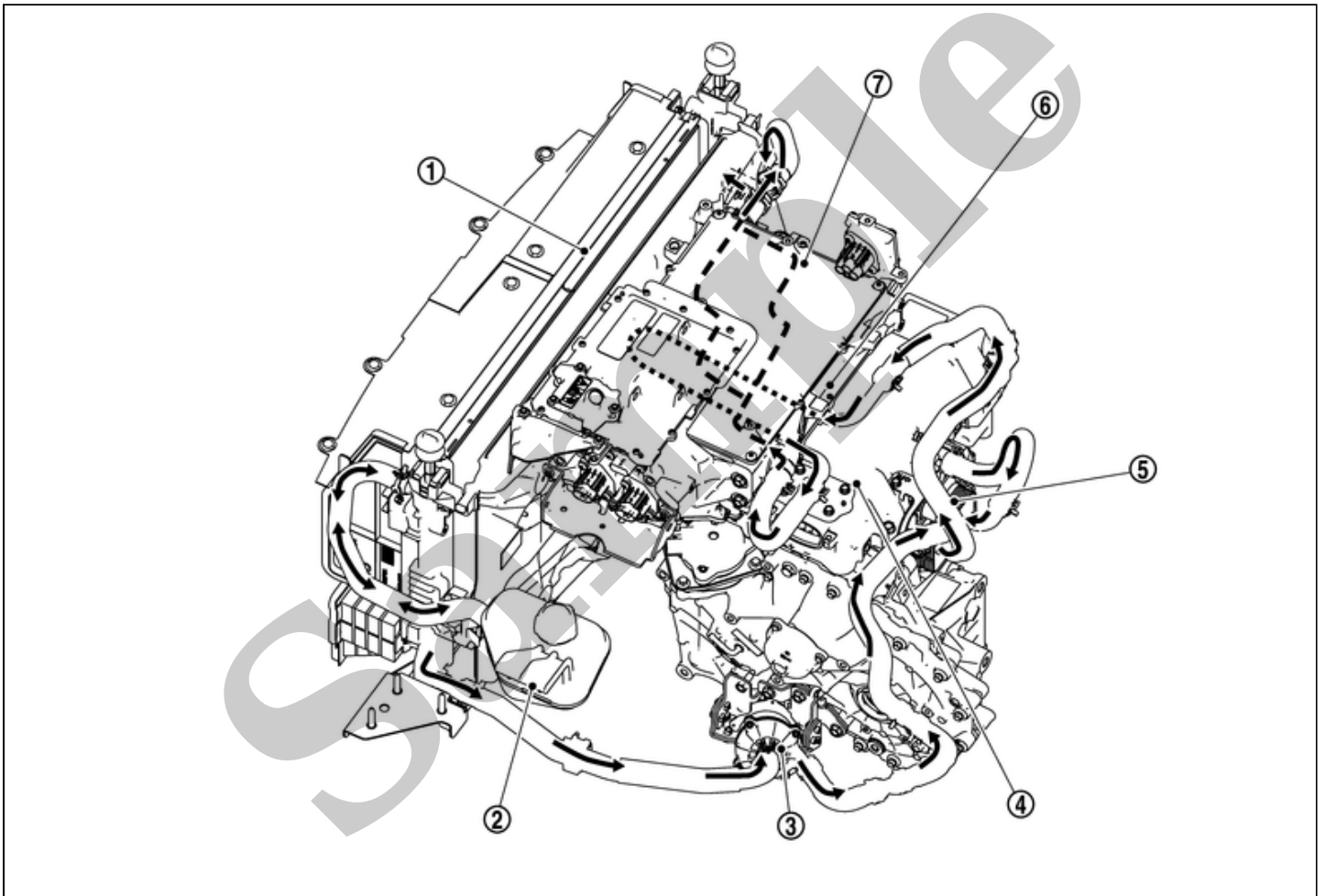


SIEMD-7330755-02-000389575

- The high-voltage cooling system is the system which cools the following high-voltage components.
 - Traction motor inverter
 - DC/DC converter
 - Onboard charger
 - Li-ion battery
- Coolant is circulated by means of the electric water pump.

ELECTRIC POWER TRAIN COOLING SYSTEM

COOLING SYSTEM DIAGRAM



SIEMD-7330750-01-000346979

①	Radiator	②	Reservoir tank	③	Electric water pump
④	Traction motor inverter	⑤	Oil cooler	⑥	DC/DC converter
⑦	Onboard charger				

HIGH VOLTAGE COOLING SYSTEM SCHEMATIC