

Your Ultimate Source for OEM Repair Manuals

FactoryManuals.net is a great resource for anyone who wants to save money on repairs by doing their own work. The manuals provide detailed instructions and diagrams that make it easy to understand how to fix a vehicle.

2015 NISSAN Altima Sedan OEM Service and Repair Workshop Manual

[Go to manual page](#)

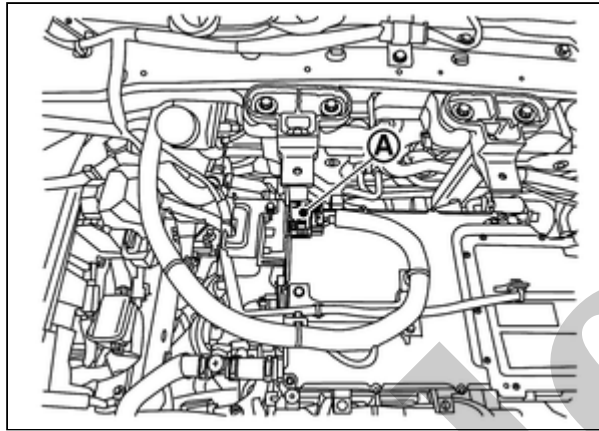
DANGER:



Touching high voltage components without using the appropriate protective equipment will cause electrocution.



16. Disconnect the high voltage harness connector **(A)**.



RPR-001980203-11-000346767

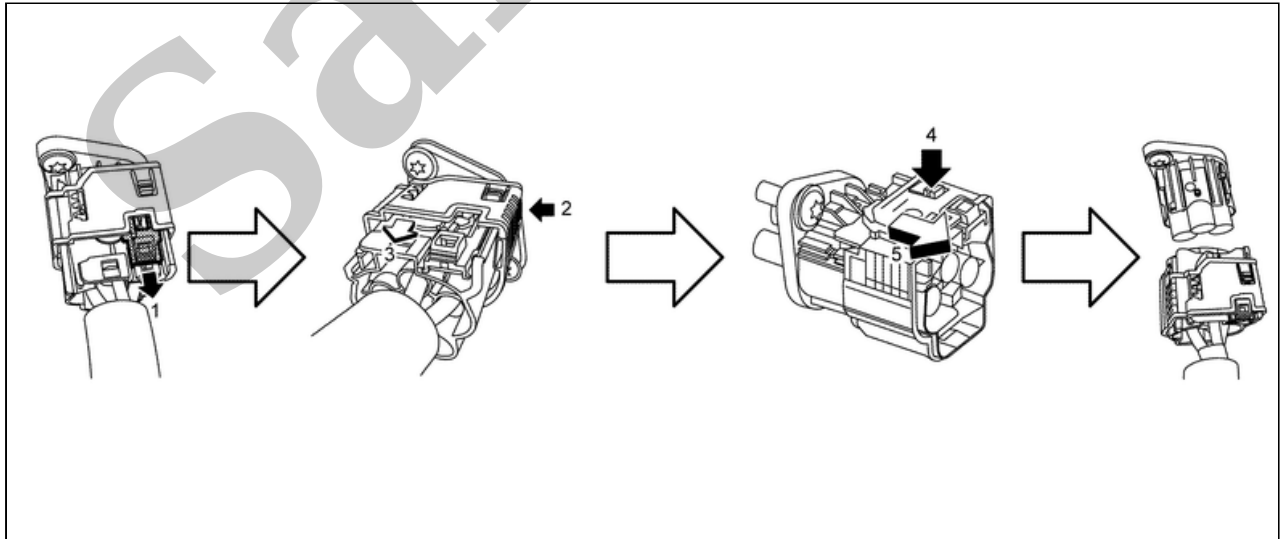
DANGER:



Touching high voltage components without using the appropriate protective equipment will cause electrocution.



- High voltage harness connector is disconnected as per the following steps.



RPR-001980203-12-000369928

17. Apply protective tape on the high voltage harness and connector part of the on-board charger.

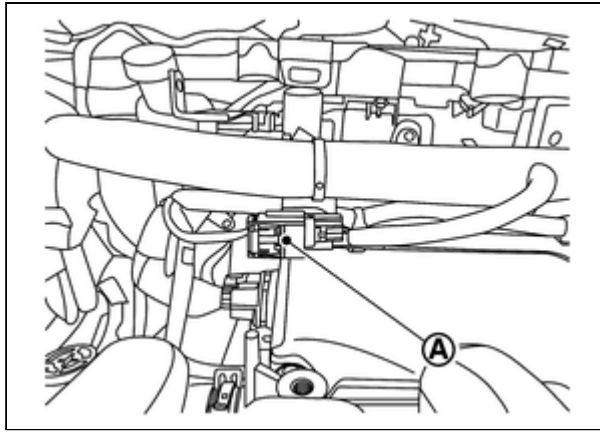
DANGER:



Touching high voltage components without using the appropriate protective equipment will cause electrocution.



18. Disconnect the harness connector (A).



RPR-001980203-13-000346768

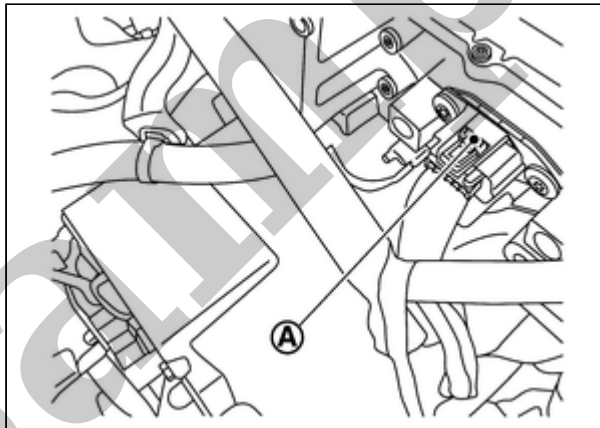
DANGER:



Touching high voltage components without using the appropriate protective equipment will cause electrocution.



19. Disconnect the harness connector (A).



RPR-001980203-14-000346769

DANGER:



Touching high voltage components without using the appropriate protective equipment will cause electrocution.



20. Apply protective tape on the high voltage harness and the connector part.

DANGER:



Touching high voltage components without using the appropriate protective equipment will cause electrocution.



21. Fasten the high voltage harness by lops in the area where is not disturb repairing operation.

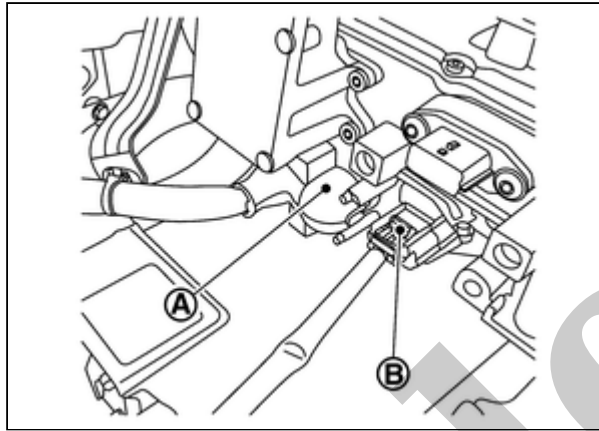
DANGER:



Touching high voltage components without using the appropriate protective equipment will cause electrocution.



22. Disconnect the harness connector **(A)** and the harness connector **(B)**.



RPR-001980203-15-000346771

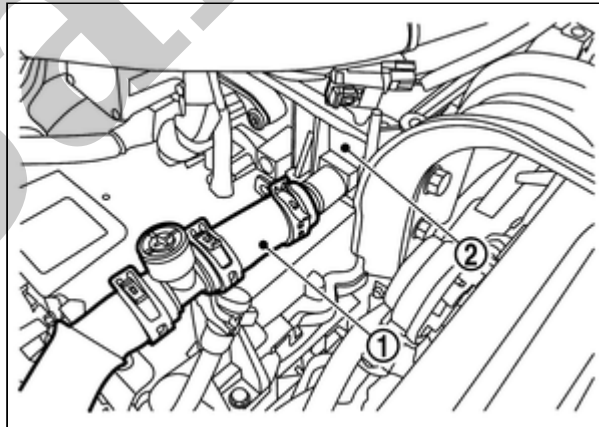
DANGER:



Touching high voltage components without using the appropriate protective equipment will cause electrocution.



23. Remove front side of the water horse **(1)** from the on-board charger **(2)**.



RPR-001980203-16-000346773

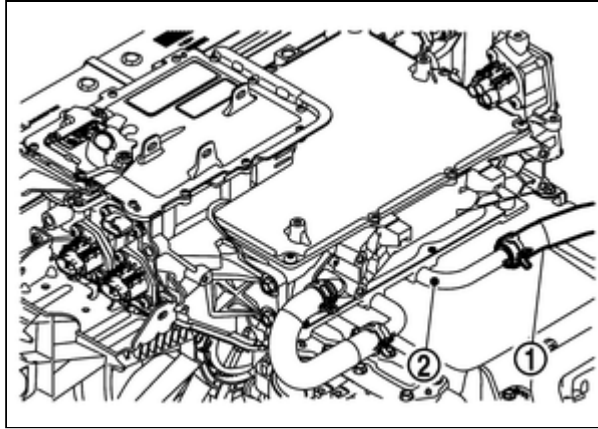
DANGER:



Touching high voltage components without using the appropriate protective equipment will cause electrocution.



24. Remove rear side of the water horse **(1)** from the DC/DC converter **(2)**.



RPR-001980203-17-000346775

DANGER:



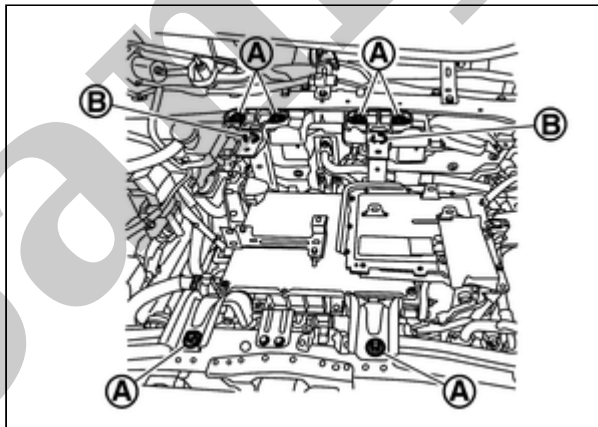
Touching high voltage components without using the appropriate protective equipment will cause electrocution.



CAUTION:

Be careful to avoid damaging the DC/DC converter tube, do not applying force in any direction other than the axial direction of the DC/DC converter tube when removing the hose.

25. Remove high voltage power delivery ASSY fixing bolts and nuts (A) to remove the high voltage power delivery ASSY from the vehicle.



RPR-001980203-18-000346778

DANGER:



Touching high voltage components without using the appropriate protective equipment will cause electrocution.



CAUTION:

Do not loosen the bolt (B), if the bolt (B) is loosen by incorrect operation, replace the bracket ASSY.

26. Remove the high voltage power delivery ASSY bracket if needed.

DANGER:



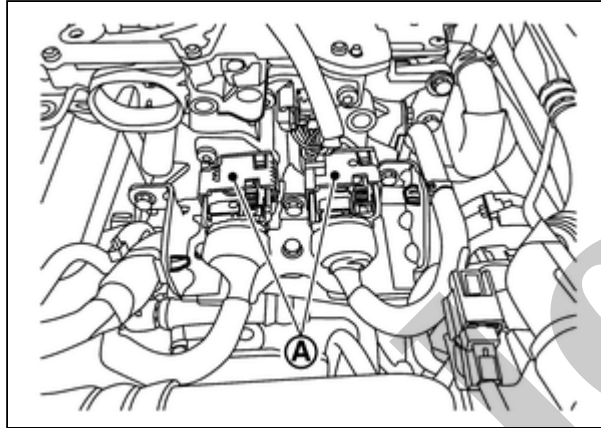
Touching high voltage components without using the appropriate protective equipment will cause electrocution.



INSTALLATION

Note the followings, and install in the reverse order of removal.

1. Connect high voltage harness connectors **A**.



RPR-001980203-23-000346801

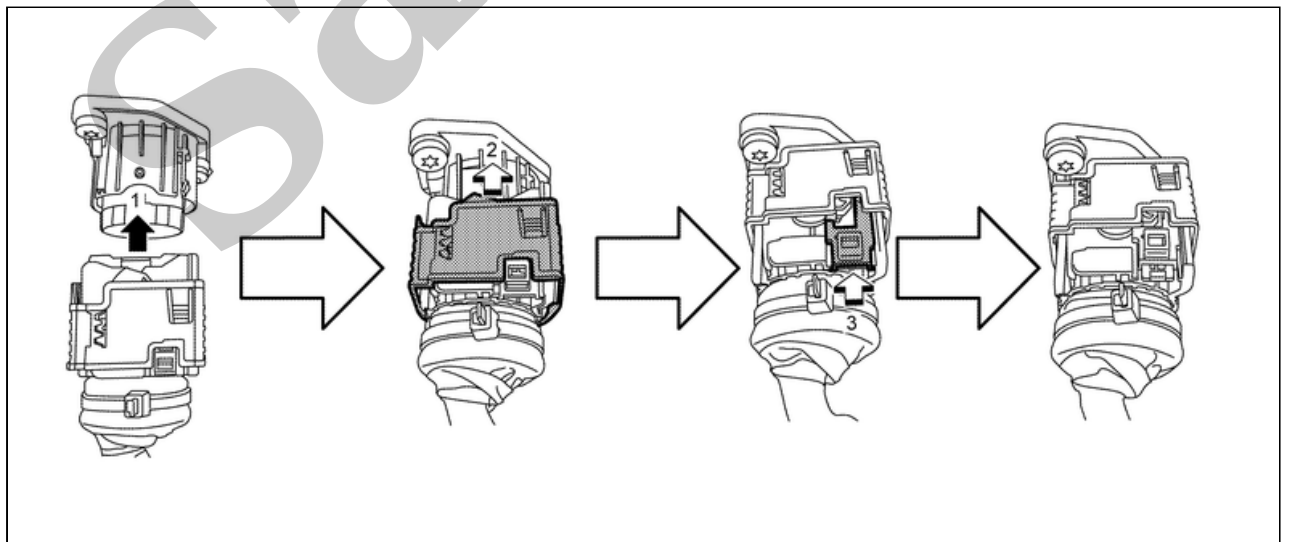
DANGER:



Touching high voltage components without using the appropriate protective equipment will cause electrocution.

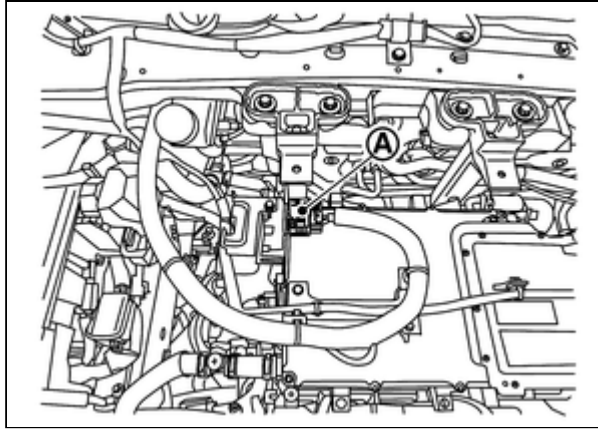


- High voltage harness connector is connected as per the following steps.



RPR-001980203-19-000346802

2. Install the high voltage harness connector **A**.



RPR-001980203-20-000346767

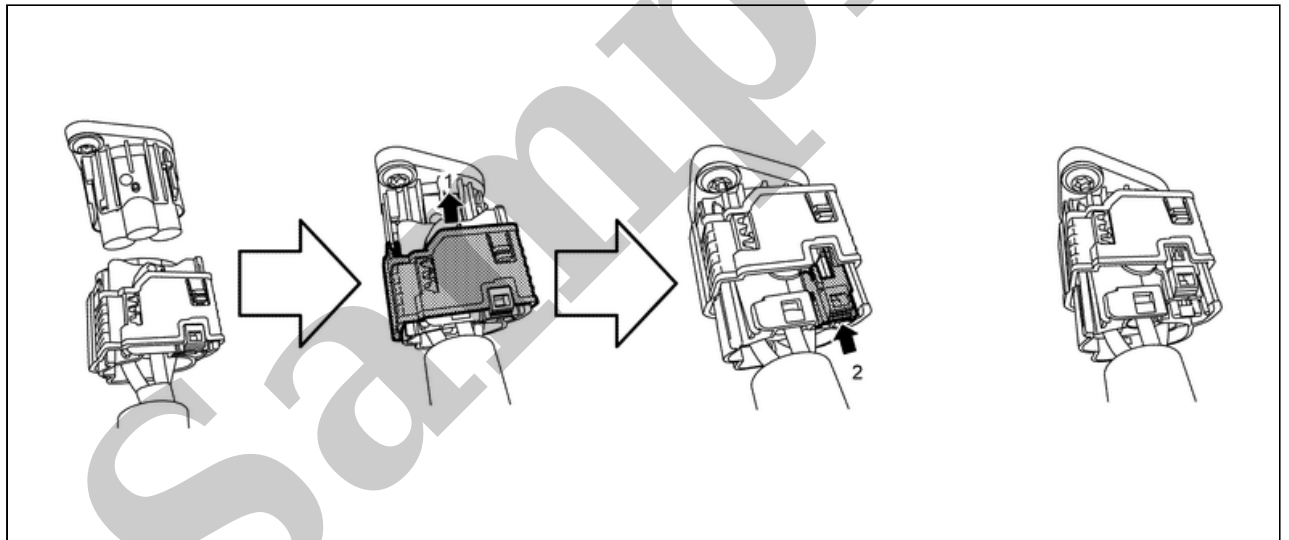
DANGER:



Touching high voltage components without using the appropriate protective equipment will cause electrocution.

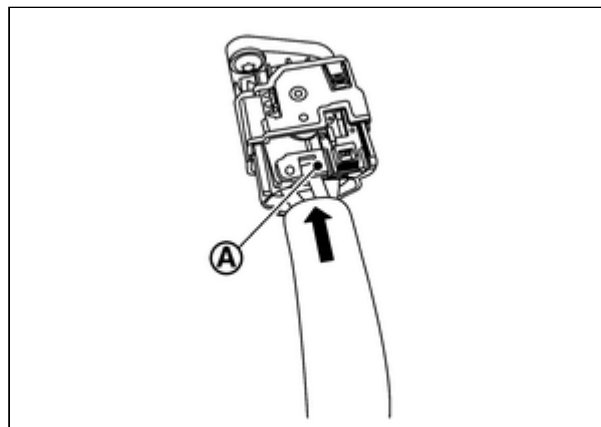


- High voltage harness connector is connected as per the following steps.



RPR-001980203-21-000346804

- Be sure to check the harness connector is properly fitted after push the harness connector **A** to the direction of the arrow.



RPR-001980203-22-000372702

DANGER:



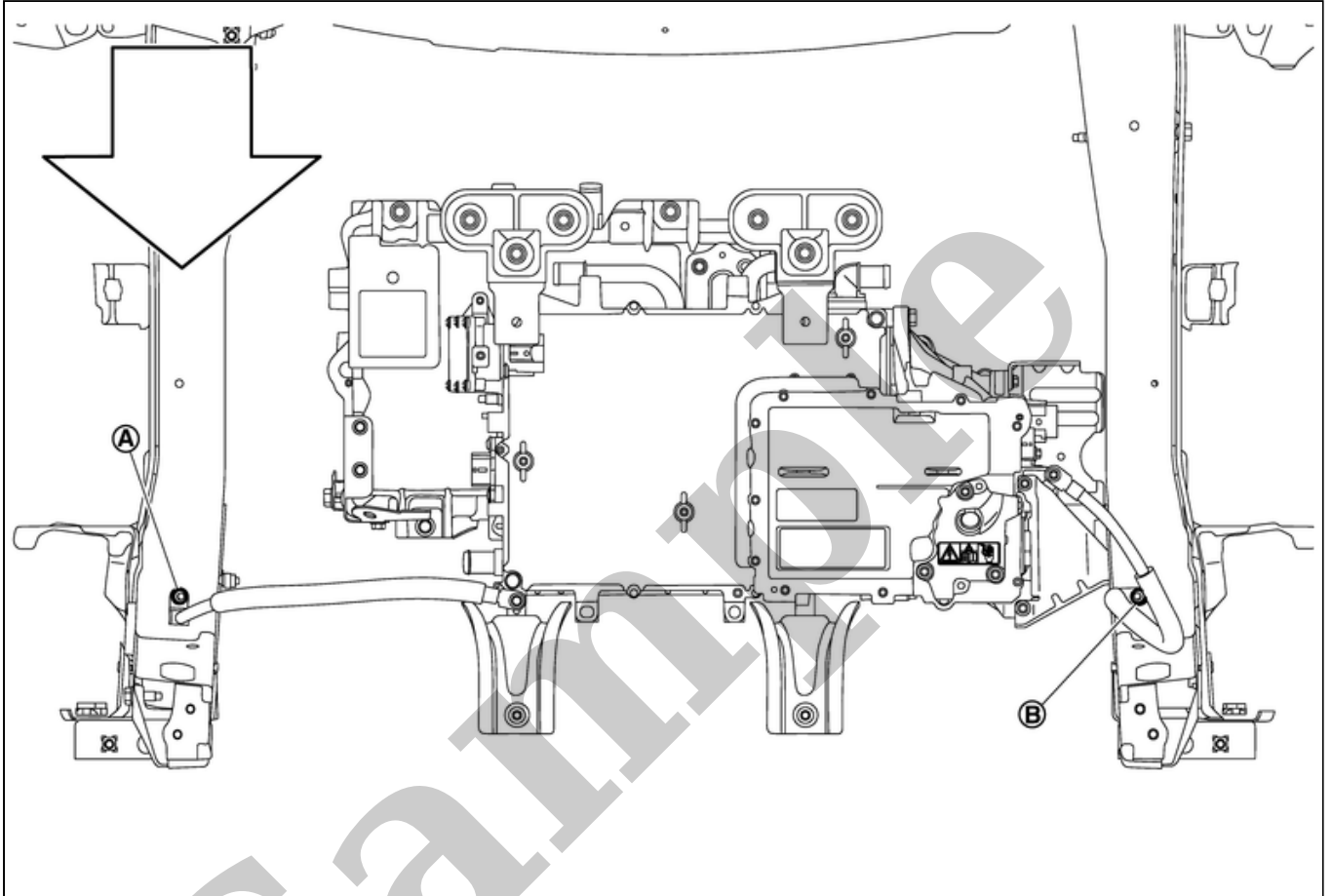
Touching high voltage components without using the appropriate protective equipment will cause electrocution.



Sample

Electric Equipotential Test

- Check the resistance between the high voltage junction box (Aluminum part) and the body (Ground bolt **(A)**, **(B)**)
- Check the resistance between the on-board charger (Aluminum part) and the body (Ground bolt **(A)**, **(B)**)
- Check the resistance between the DC/DC converter (Aluminum part) and the body (Ground bolt **(A)**, **(B)**)



RPR-001980202-01-000346849

DANGER:



Touching high voltage components without using the appropriate protective equipment will cause electrocution.



:Vehicle front

Standard

: Less than 0.1Ω

If result deviates from standard values, check that no paint, oil, dirt, or other substance is adhering to bolts or conductive mounting parts. If any such substance is adhering, clean the surrounding area and remove the substance.

List of ECU Reference

SIEMD-7198957

ECU name	Reference
VCM	Refer to Values On The Diagnosis Tool .
	Refer to Physical Values .
	Refer to Fail-safe .
	Refer to DTC Inspection Priority Chart .
	Refer to DTC Index .

Sample