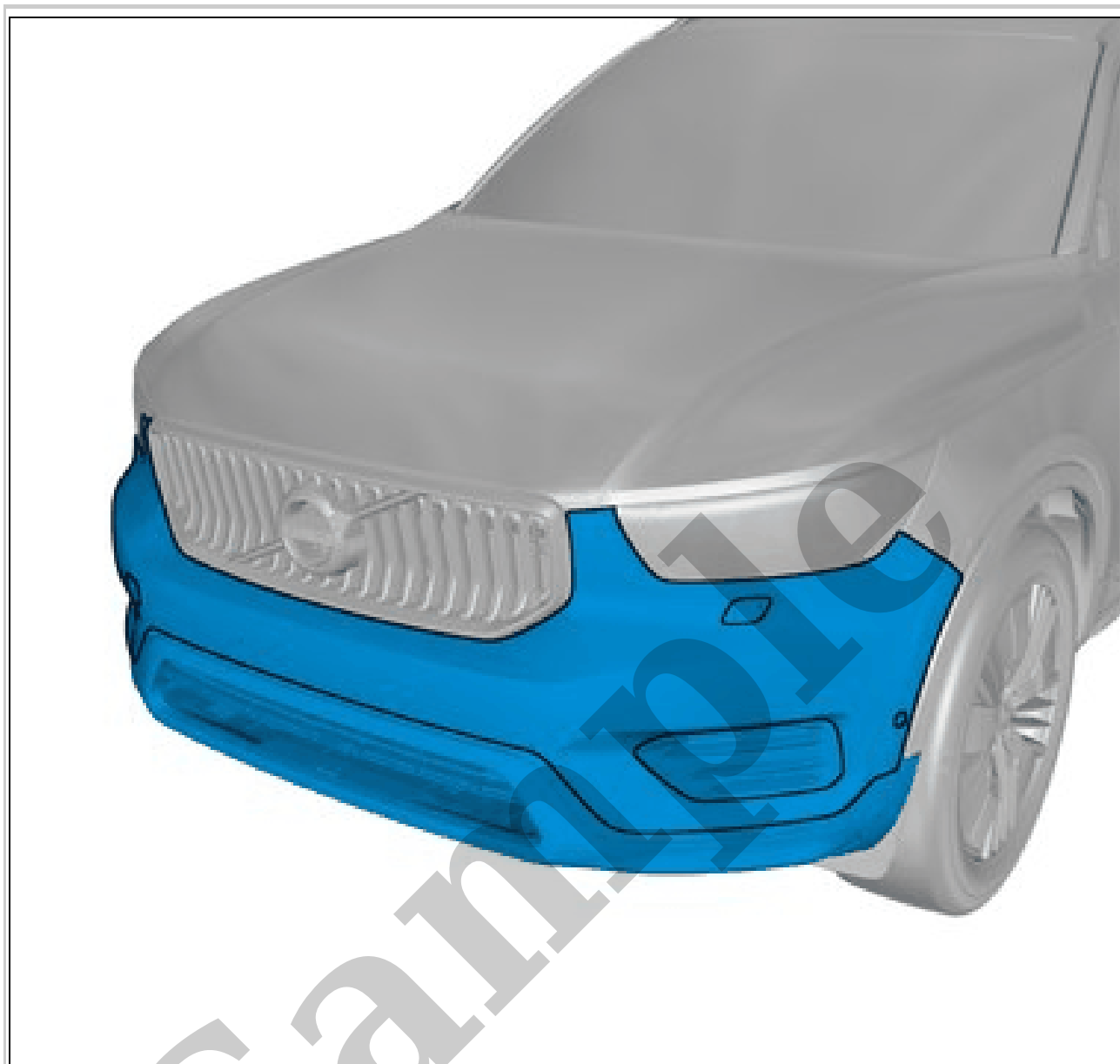


Your Ultimate Source for OEM Repair Manuals

FactoryManuals.net is a great resource for anyone who wants to save money on repairs by doing their own work. The manuals provide detailed instructions and diagrams that make it easy to understand how to fix a vehicle.

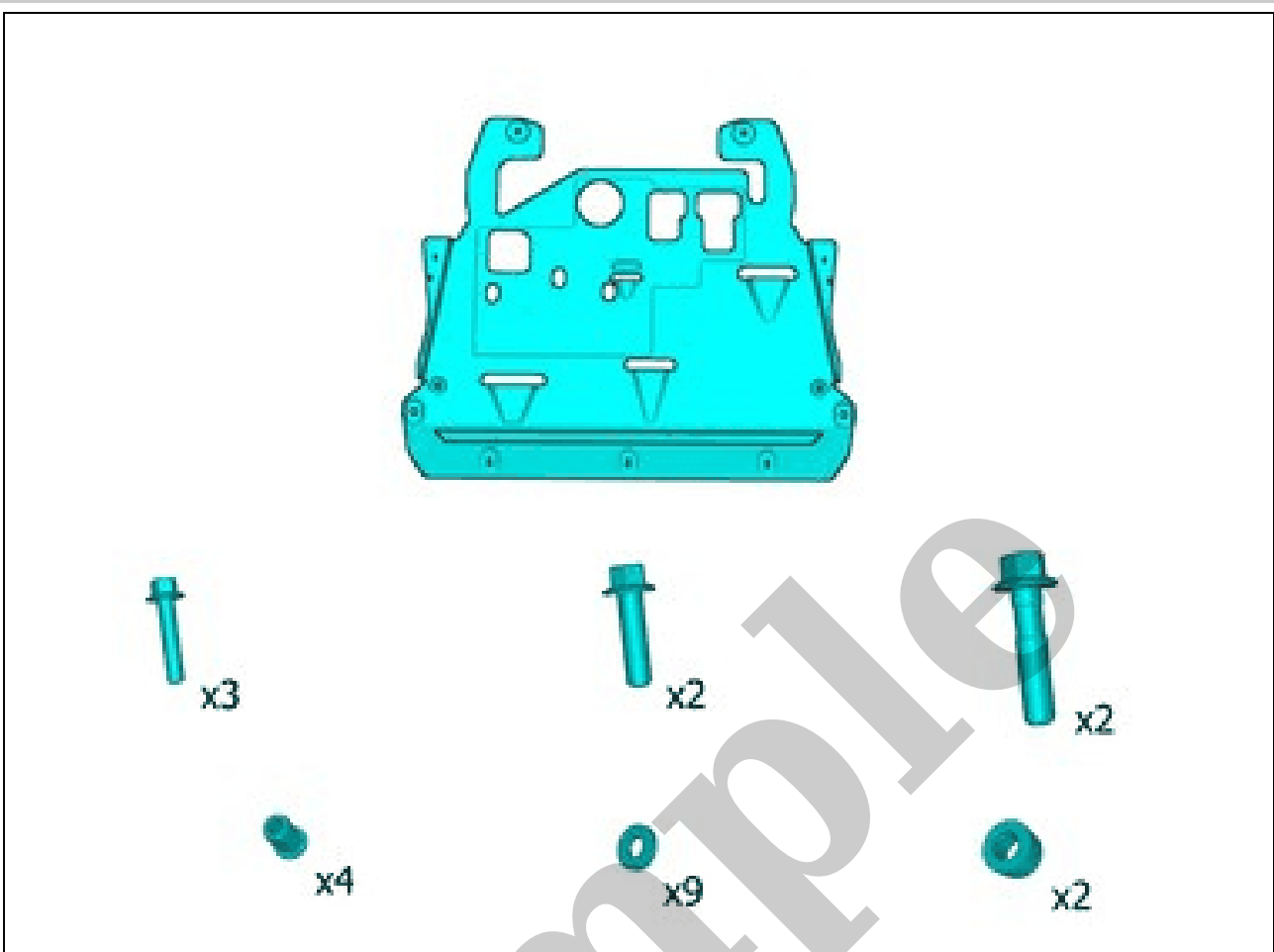
2014 Volvo XC90 Service and Repair Manual

[Go to manual page](#)



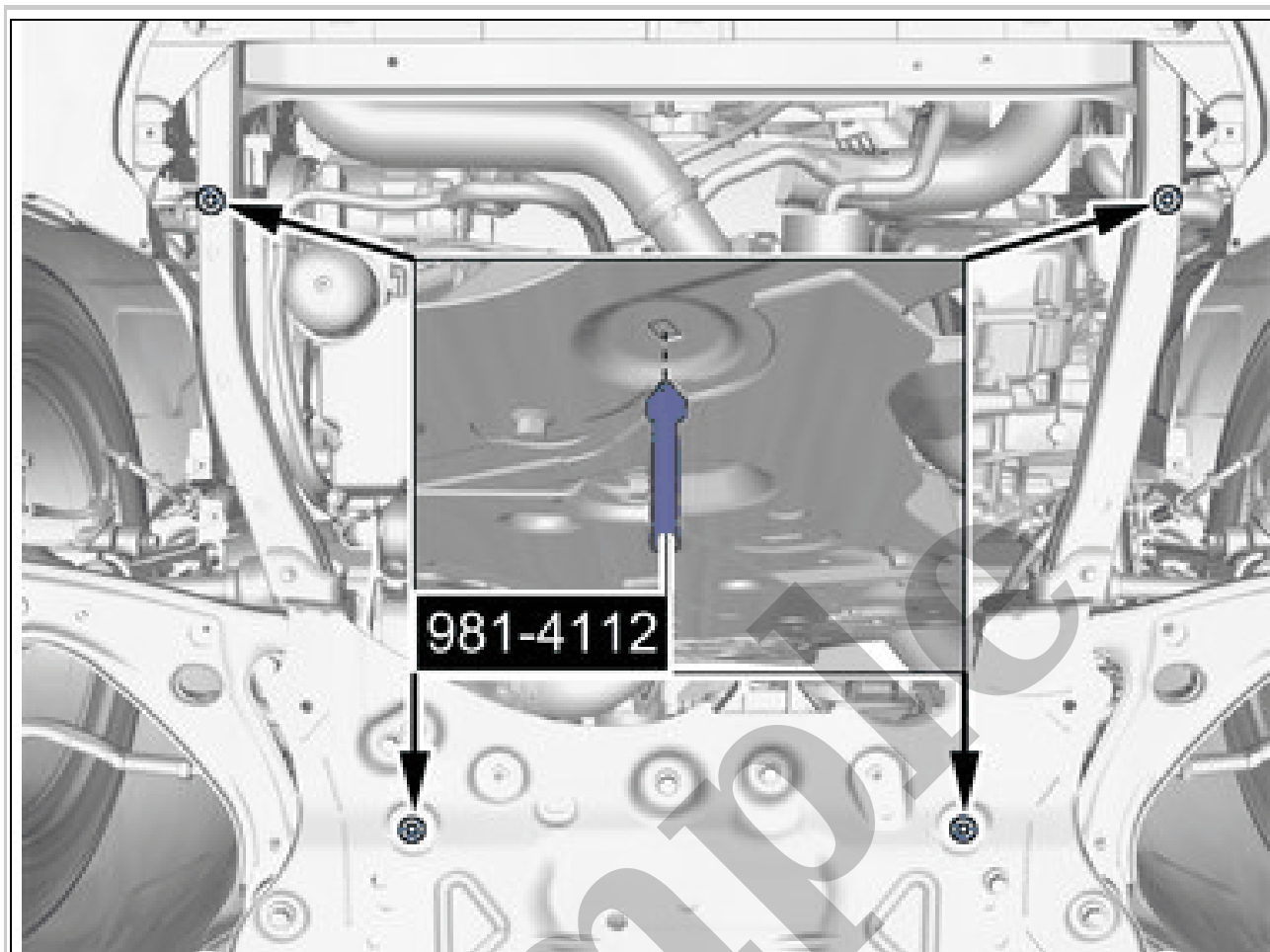
Courtesy of VOLVO CARS CORPORATION

NOTE: *In the event of damage in the form of holes or cracks within the marked areas, the component must be replaced. Do not repair the damage.*



Courtesy of VOLVO CARS CORPORATION

SPECIAL TOOLS



Courtesy of VOLVO CARS CORPORATION

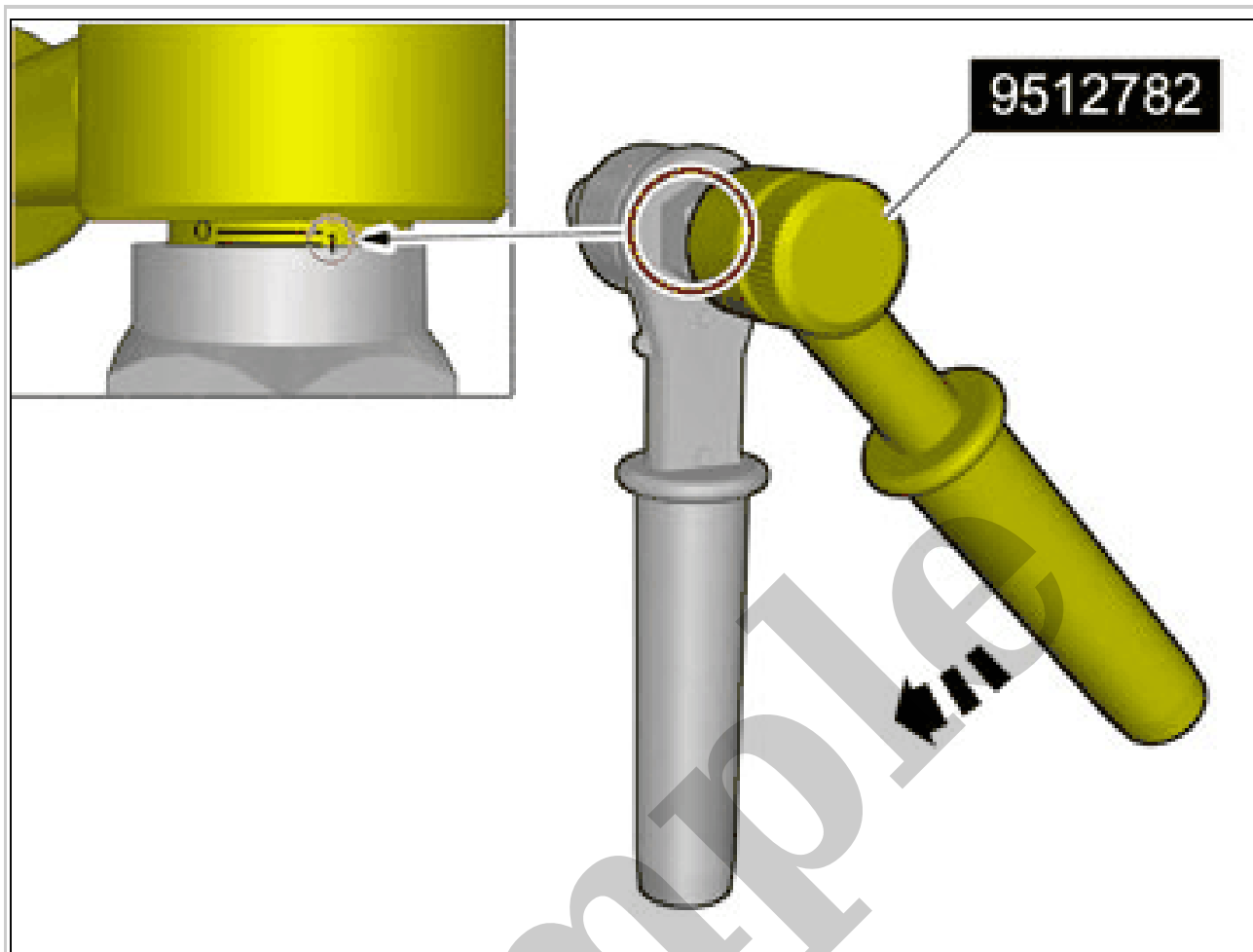
WARNING: *Wear protective gloves.*

WARNING: *Wear safety goggles.*

Drill the holes.

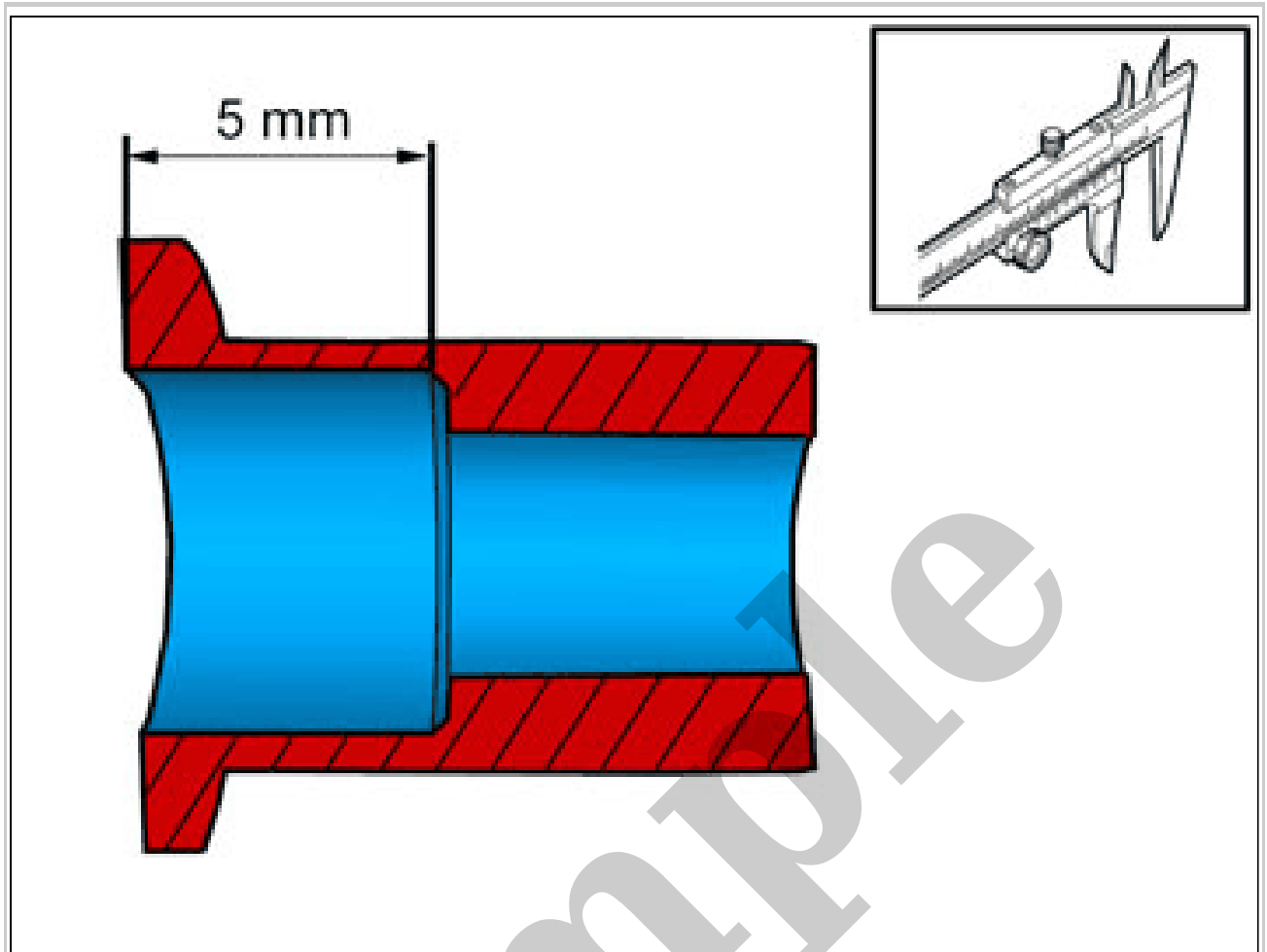
Special Tool: 981 4112 Drill

APPLIES TO VEHICLES WITHOUT PREDRILLED HOLES.



Courtesy of VOLVO CARS CORPORATION

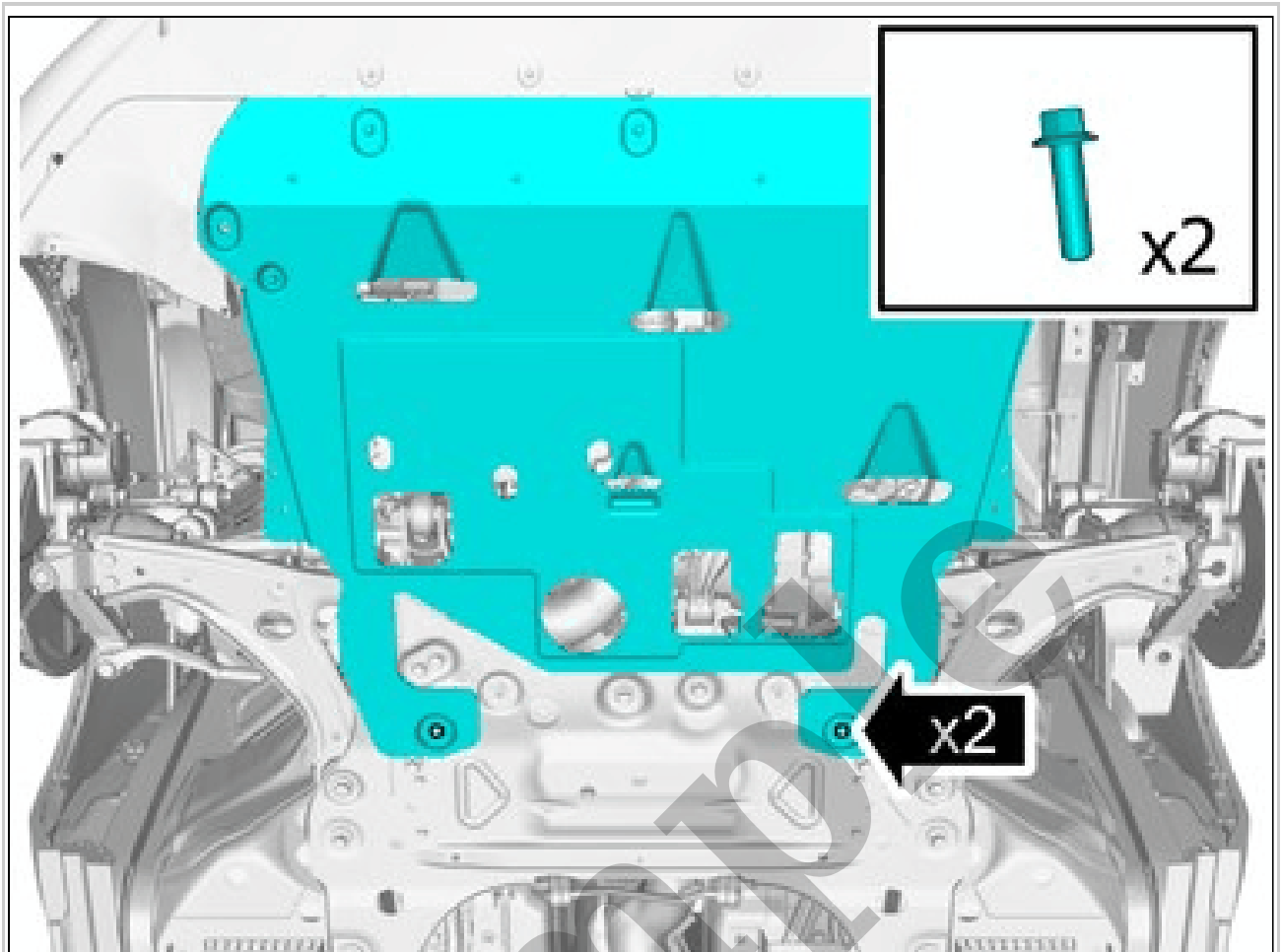
Special Tool: 951 2782 Rivet nut tool
Reset the tool.



Courtesy of VOLVO CARS CORPORATION

Measure

Use: Vernier caliper



Courtesy of VOLVO CARS CORPORATION

Install components that come with the accessory kit.

Torque: M8, 24Nm



Courtesy of VOLVO CARS CORPORATION

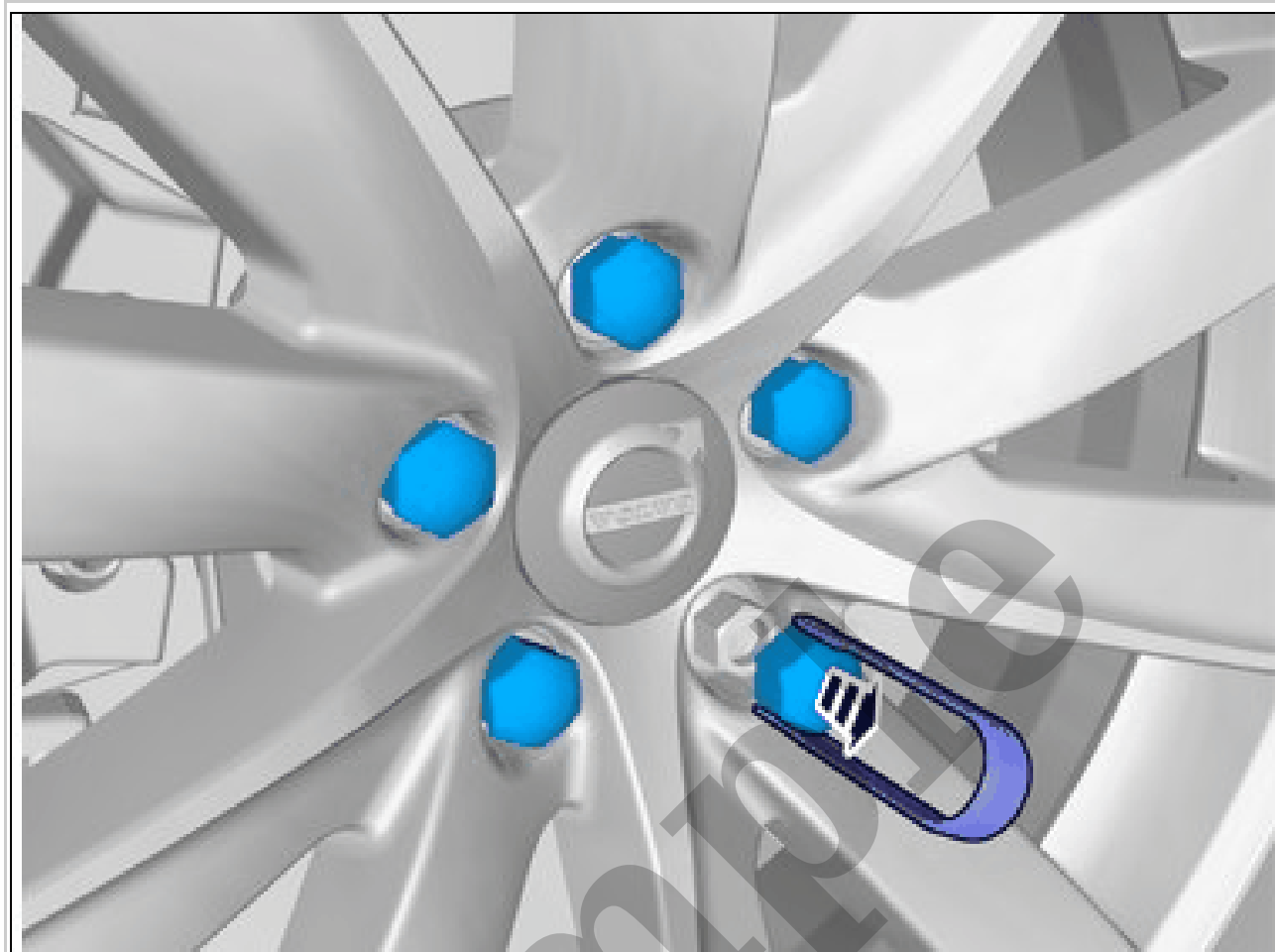


Courtesy of VOLVO CARS CORPORATION

Download the appropriate software (application) for the accessory's function according to the service information in VIDA.

Order and download the appropriate software

VEHICLES WITH FOOT MOVEMENT DETECTION (FMDM)



Courtesy of VOLVO CARS CORPORATION

Remove the marked detail/details.