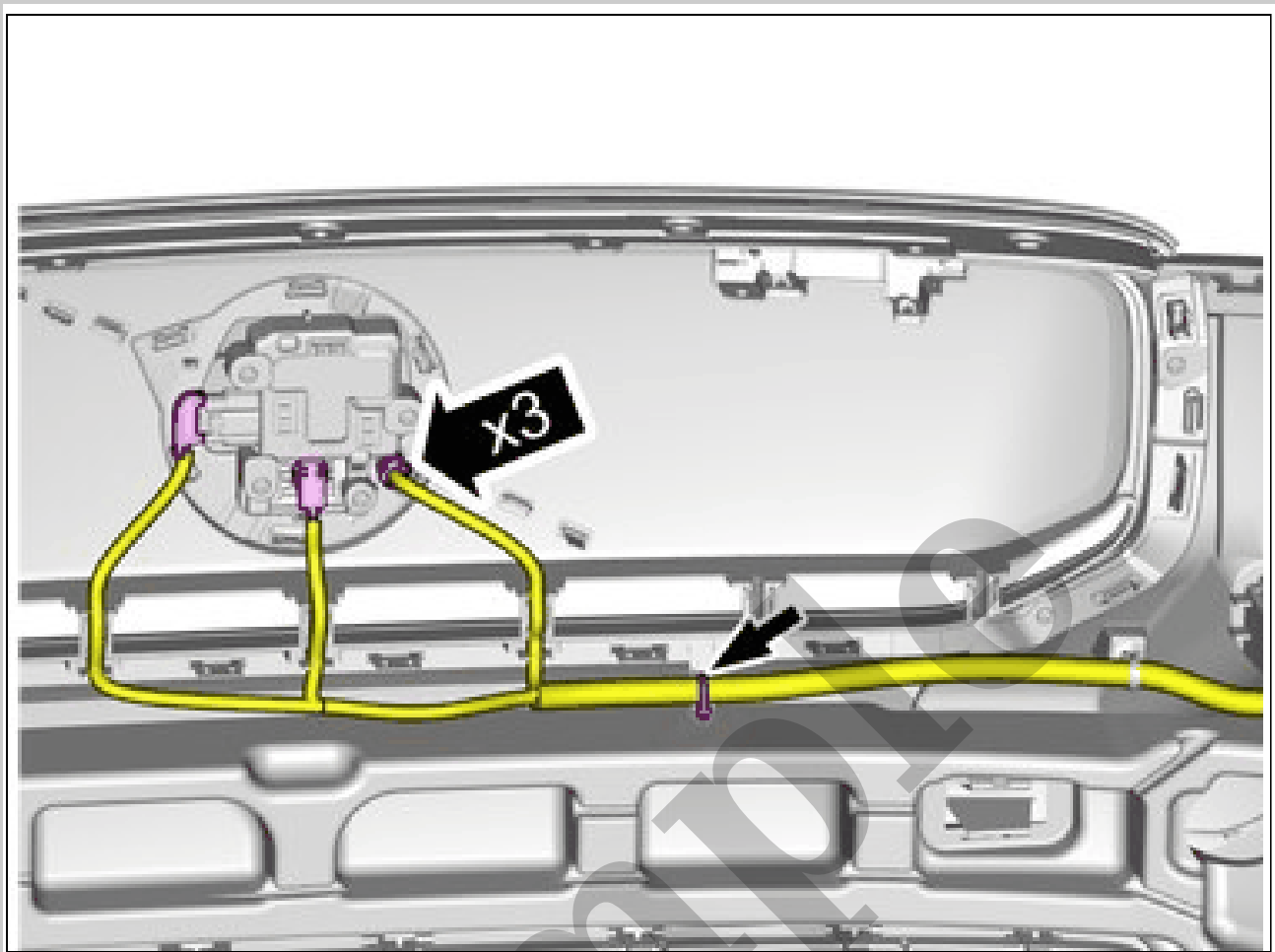


Your Ultimate Source for OEM Repair Manuals

FactoryManuals.net is a great resource for anyone who wants to save money on repairs by doing their own work. The manuals provide detailed instructions and diagrams that make it easy to understand how to fix a vehicle.

Volvo XC70 2014 Manual - Service & Repair Guide

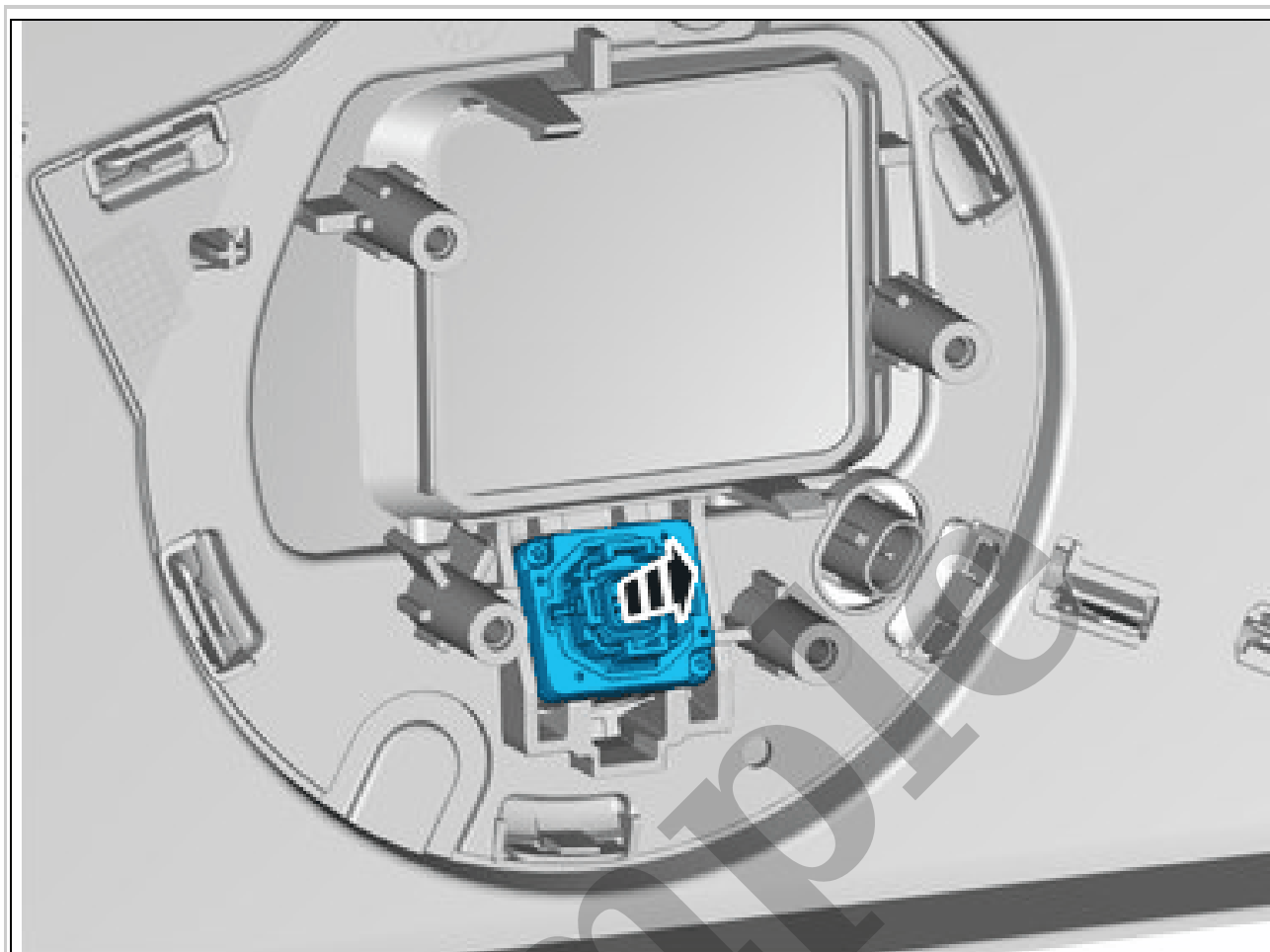
[Go to manual page](#)



Courtesy of VOLVO CARS CORPORATION

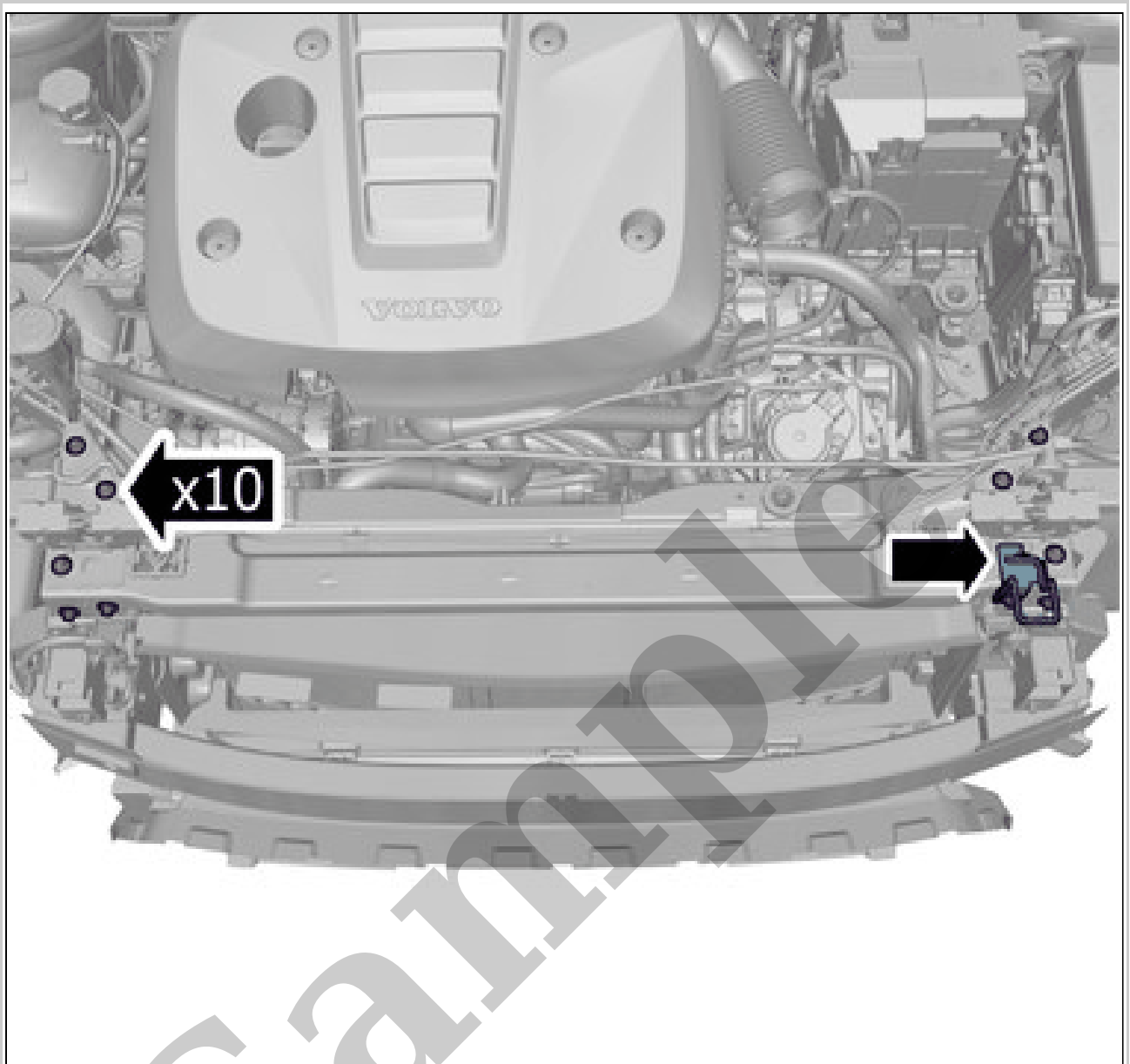
NOTE: *The number of connectors may vary depending on the vehicle's equipment level.*

Disconnect the connectors.
Unhook the cable harness clips.



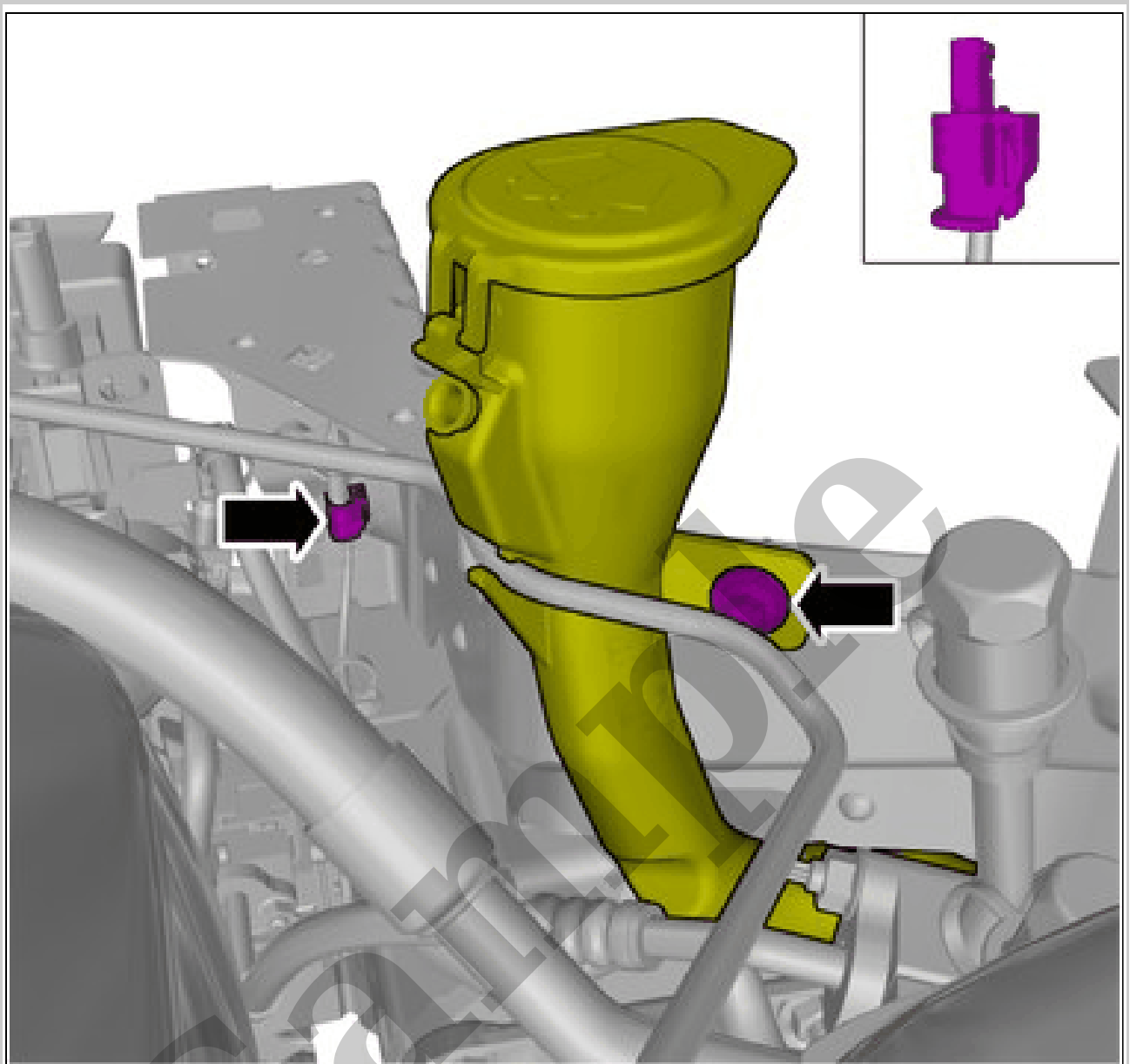
Courtesy of VOLVO CARS CORPORATION

Note position of components.
Remove the marked part.



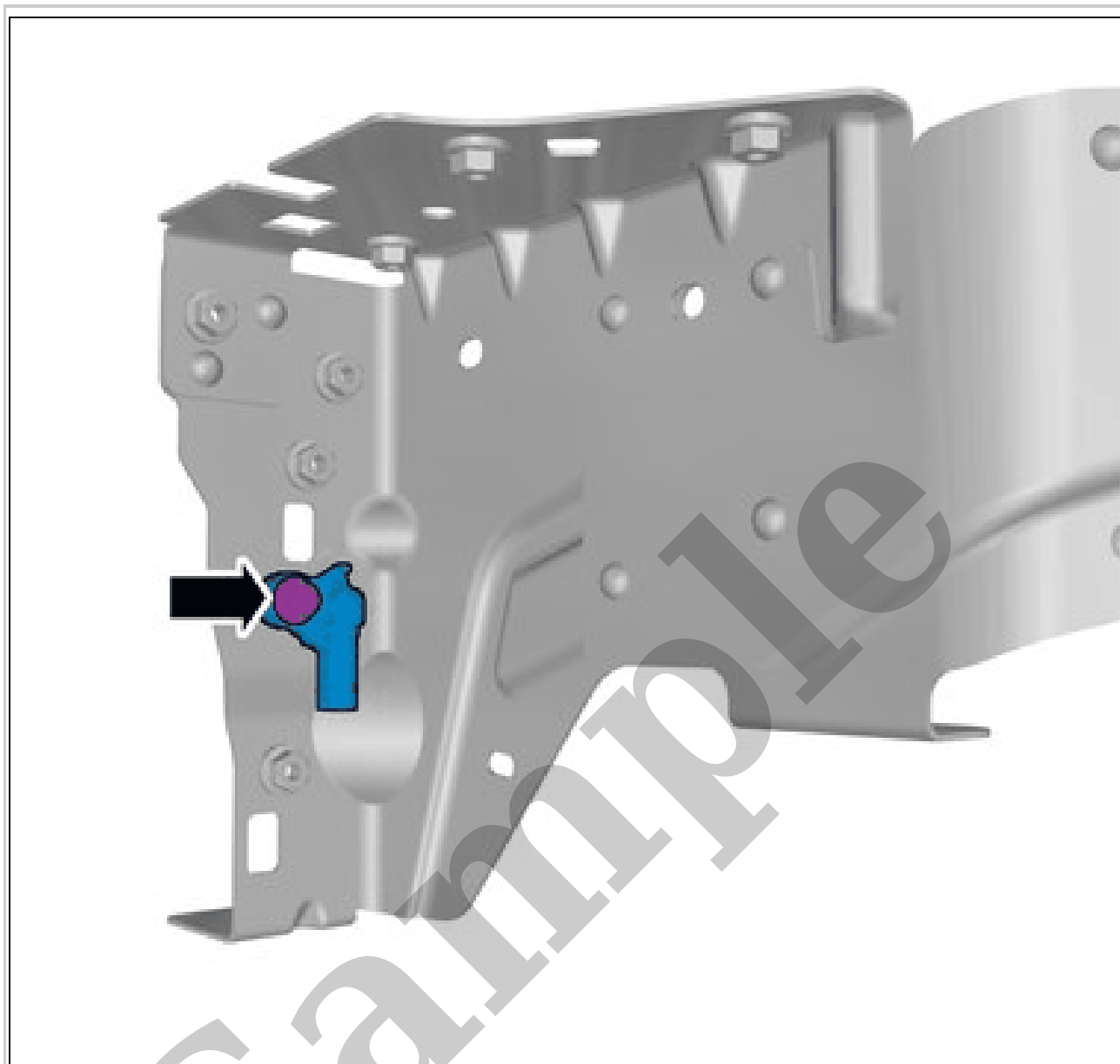
Courtesy of VOLVO CARS CORPORATION

Remove the screws.
Remove the marked part.
Torque: M6, 10Nm



Courtesy of VOLVO CARS CORPORATION

Remove the screw.
Disconnect the connector.
Torque: M6, 10Nm



Courtesy of VOLVO CARS CORPORATION

Remove the screw.
Remove the marked part.
On both sides.

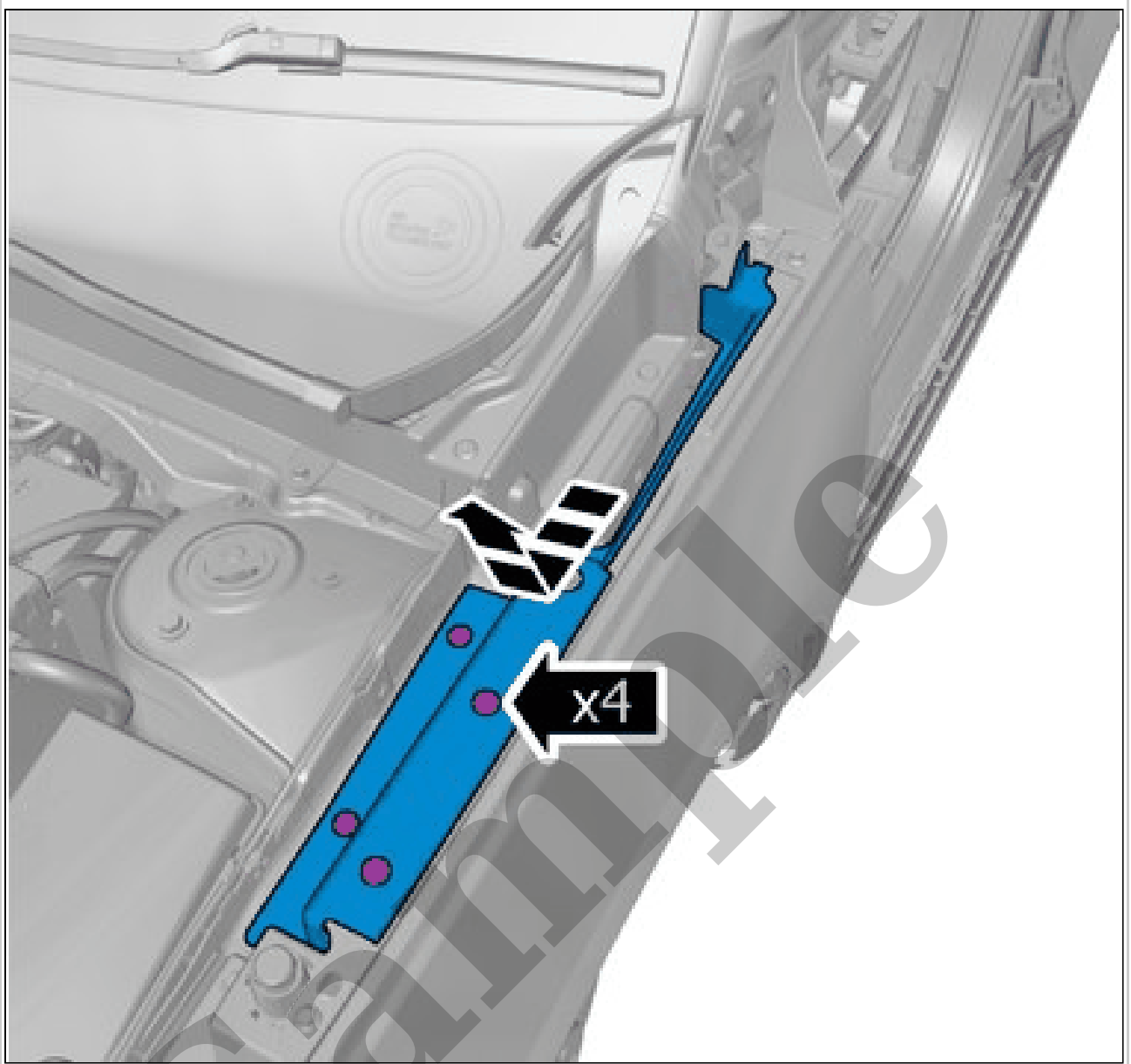
Torque: M6, 10Nm

INSTALLATION

To install, reverse the removal procedure.

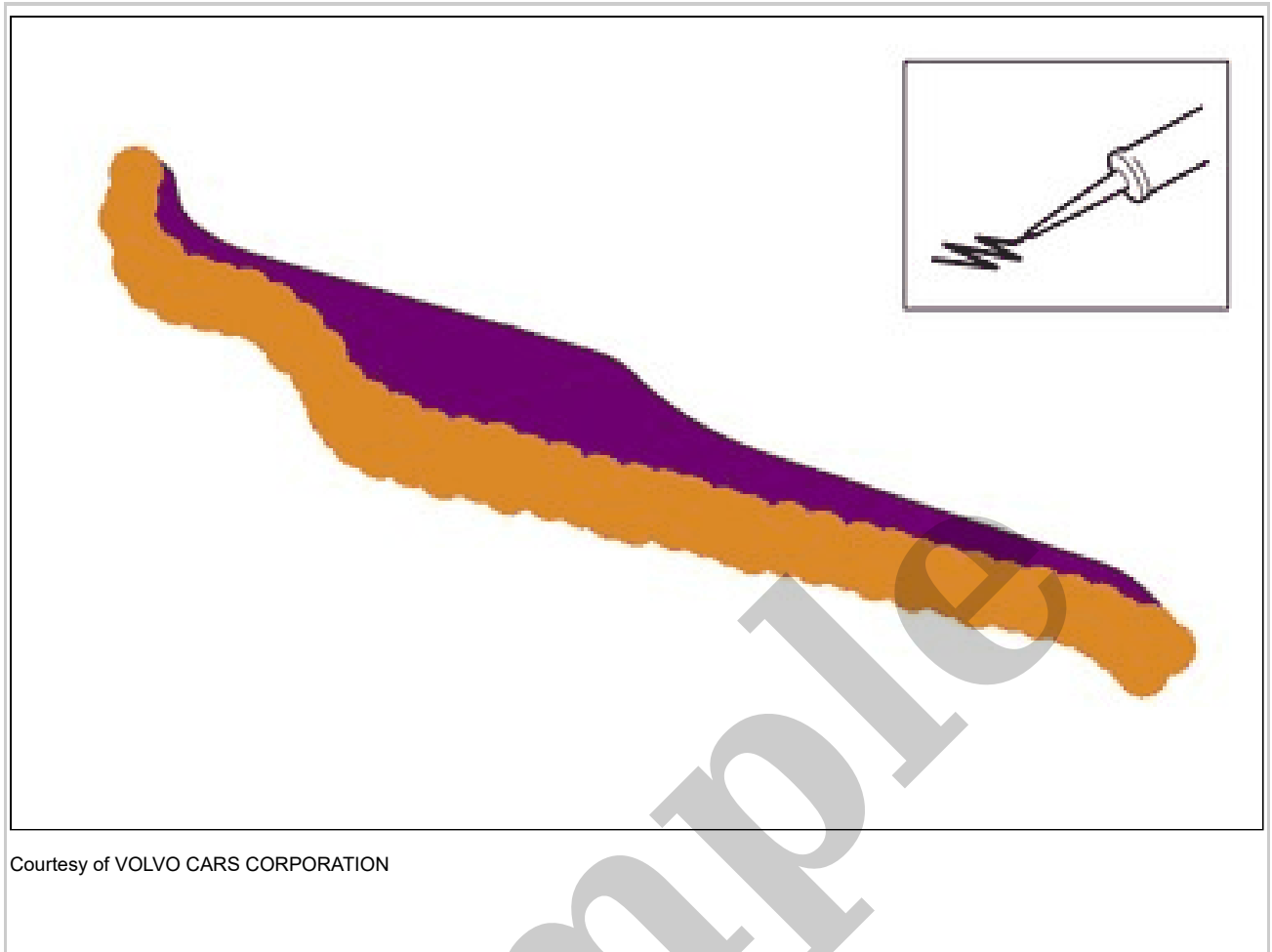
FENDER FRONT > FENDER FRONT [2018-2022] > REMOVAL

NOTE: *Removal steps in this procedure may contain installation details.*



Courtesy of VOLVO CARS CORPORATION

Remove the clips.
Remove the marked part.

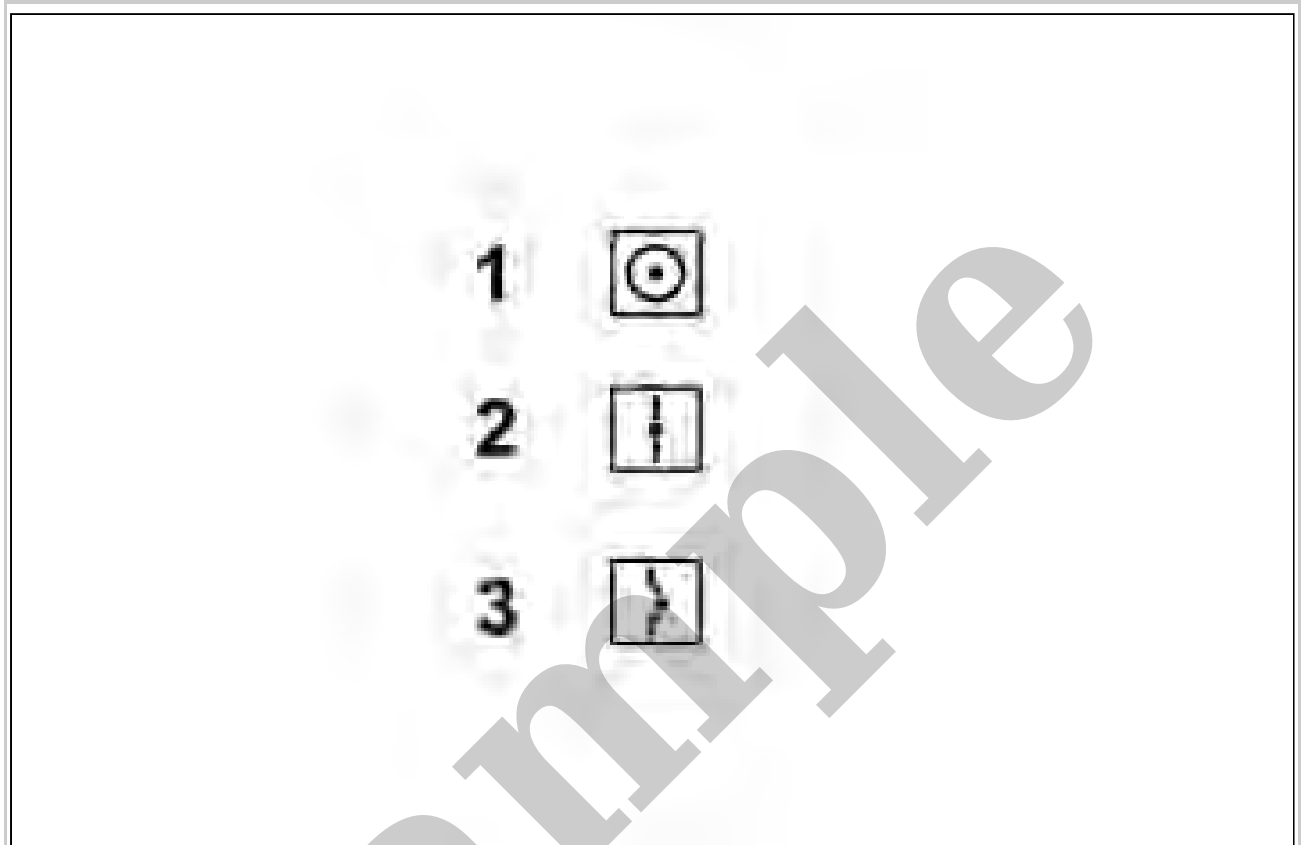


Use: Sealing compound, 1161767

Sample

FRONT END > FRONT END [2018-2022]

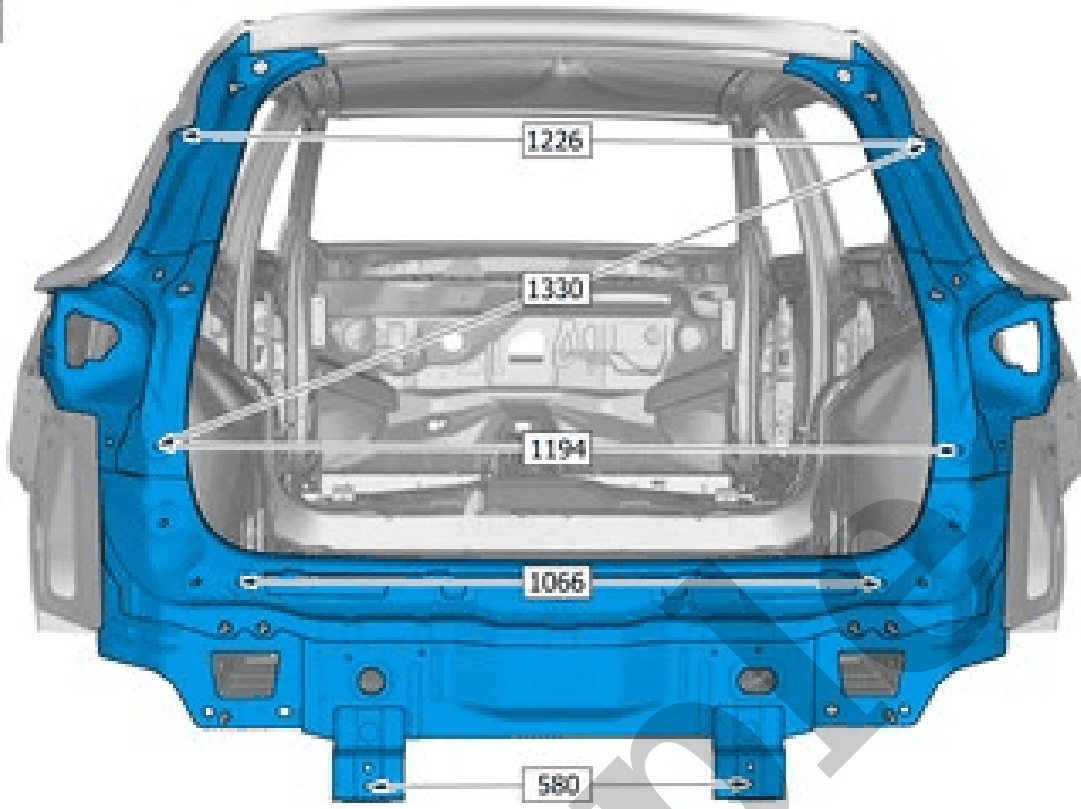
NOTE: For information on Volvo color coded illustrations, refer to: IMAGES .



Courtesy of VOLVO CARS CORPORATION

1. Measure from the center.
2. Measure from the edge.
3. Measure from the cut edge

mm



Courtesy of VOLVO CARS CORPORATION

Sample