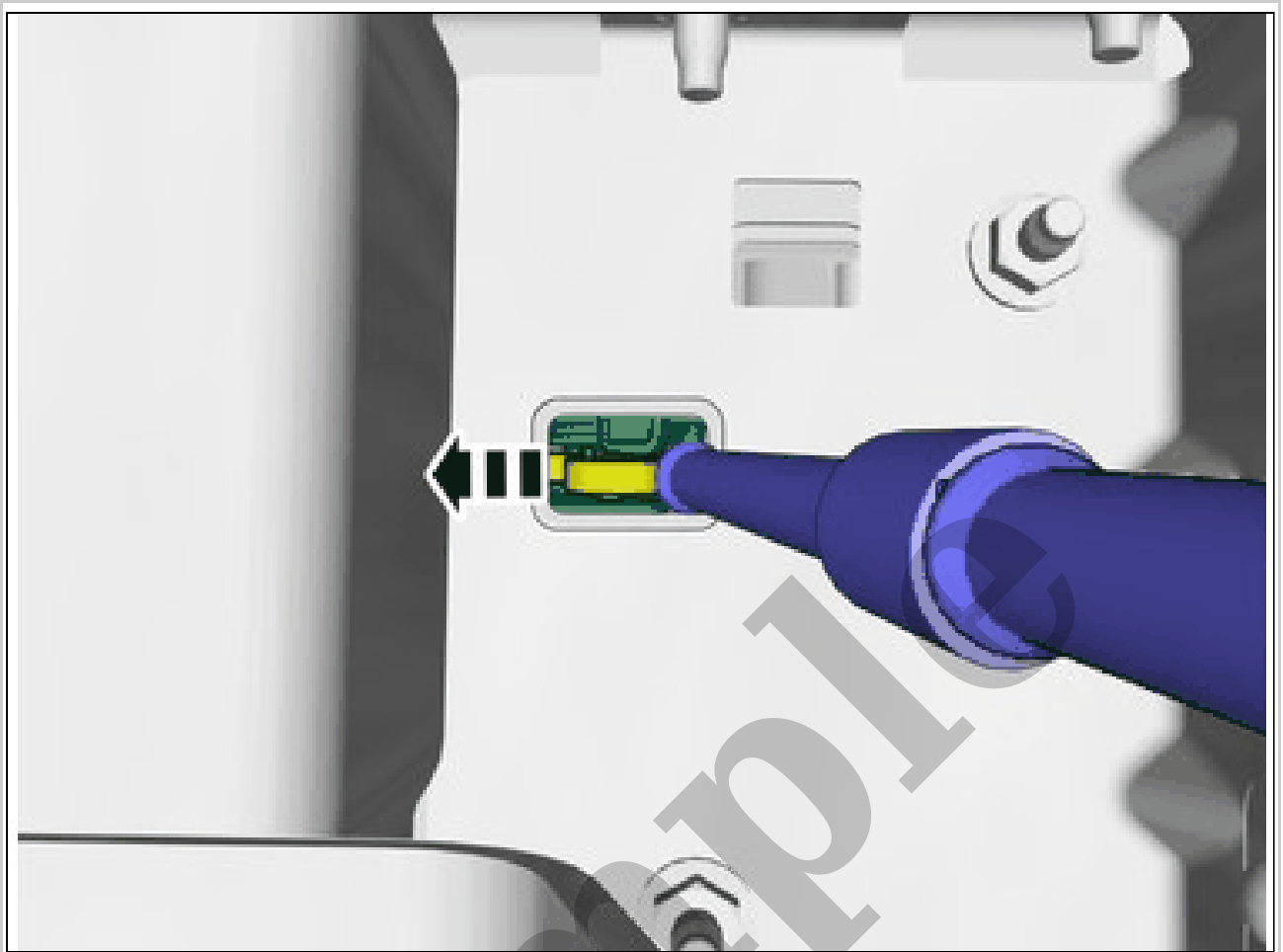


# Your Ultimate Source for OEM Repair Manuals

FactoryManuals.net is a great resource for anyone who wants to save money on repairs by doing their own work. The manuals provide detailed instructions and diagrams that make it easy to understand how to fix a vehicle.

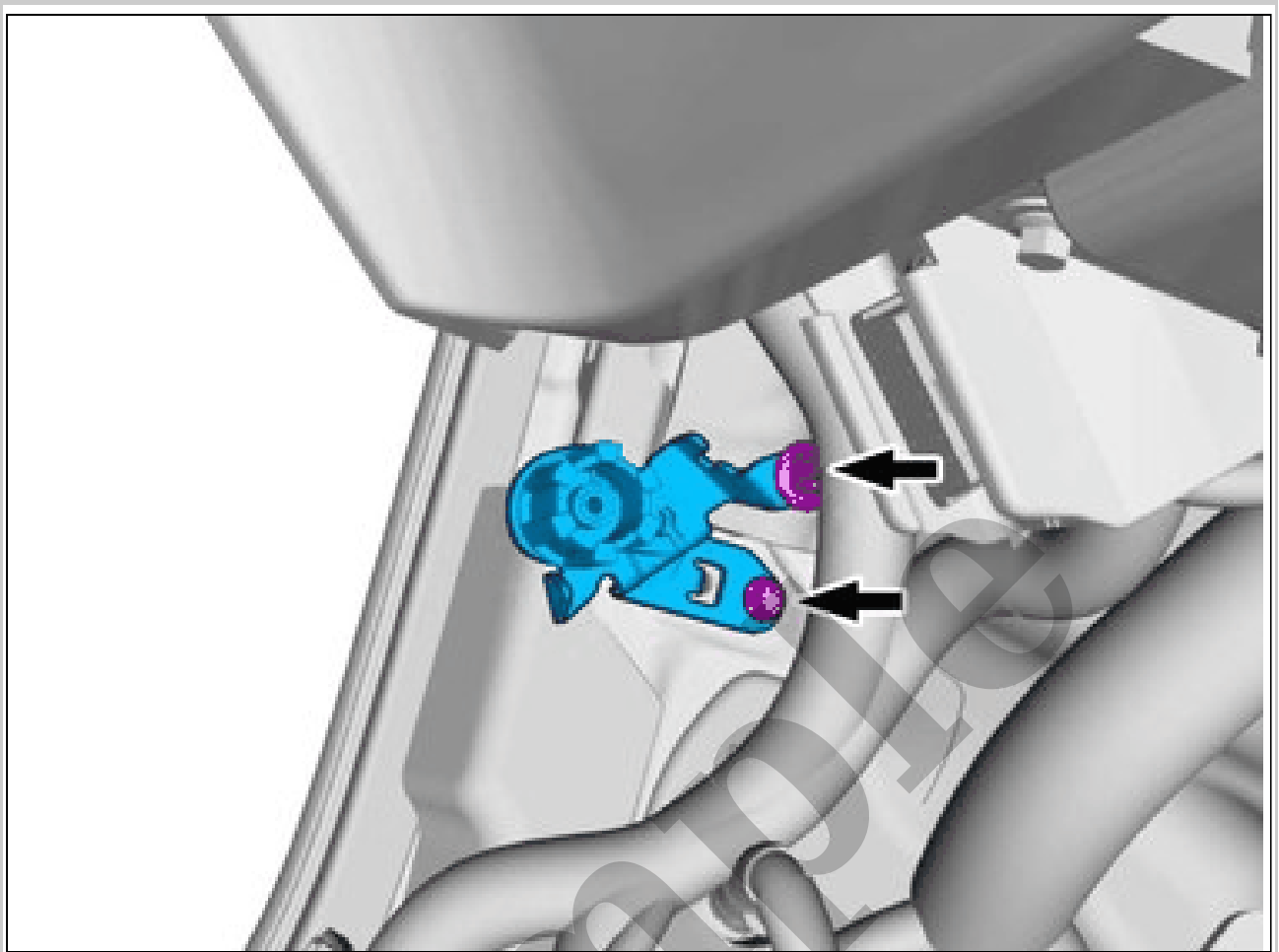
## Volvo XC60 2014 Manual - Service & Repair Guide

[Go to manual page](#)



Courtesy of VOLVO CARS CORPORATION

Release the lock.  
**APPLIES TO THE RIGHT-HAND SIDE**



Courtesy of VOLVO CARS CORPORATION

Remove the cable harness clips.

Remove the screw.

**Torque:** M5, 5Nm

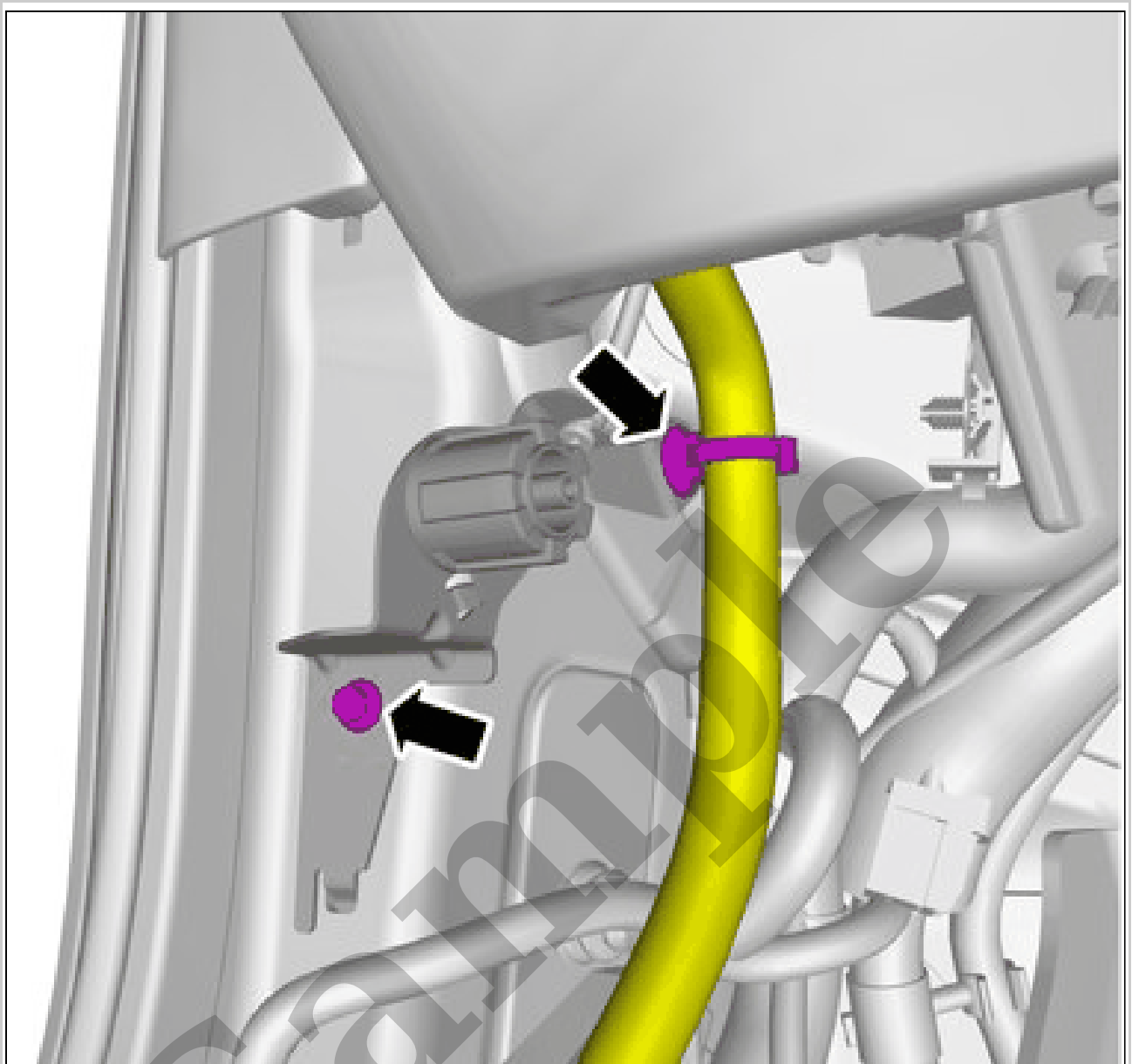
Remove the marked part.

### **CONTROL LOCK ENGINE HOOD > CONTROL LOCK ENGINE HOOD [2021-2022, E400V6] > INSTALLATION**

To install, reverse the removal procedure.

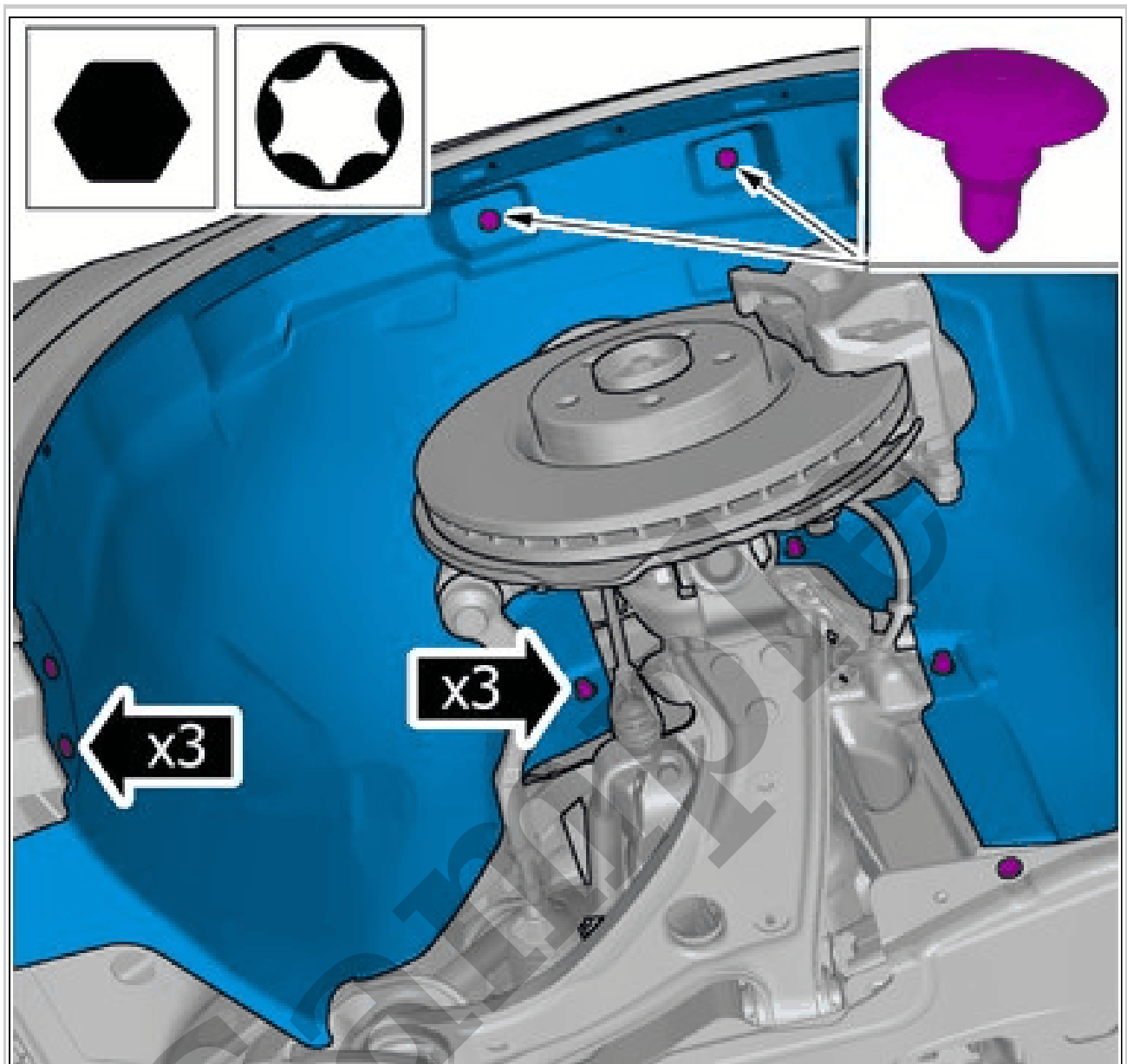
### **CONTROL LOCK ENGINE HOOD > CONTROL LOCK ENGINE HOOD [2018-2021 | 2021-2022, B4204T18; B4204T47] > REMOVAL**

**NOTE:** *Removal steps in this procedure may contain installation details.*



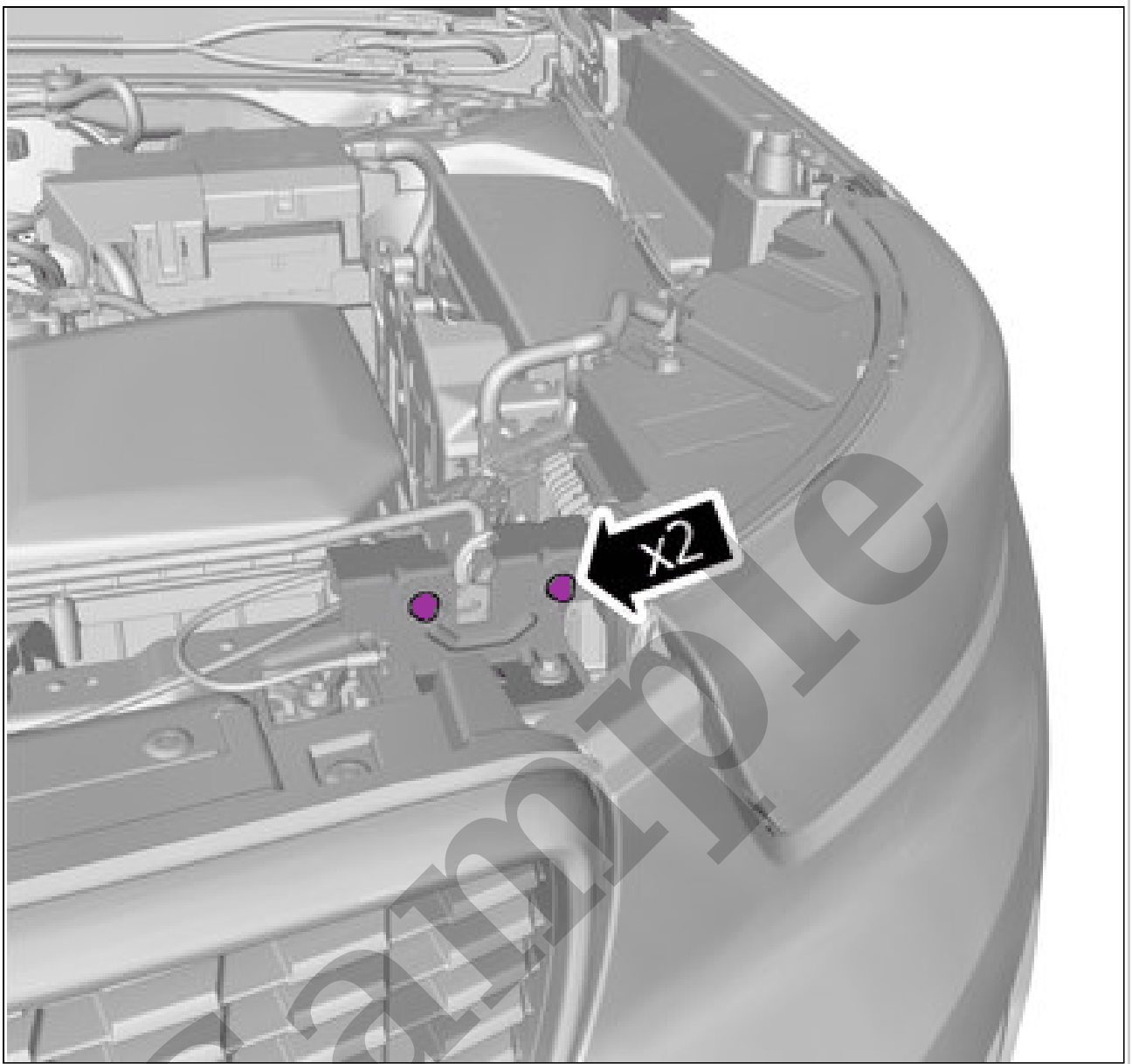
Courtesy of VOLVO CARS CORPORATION

**Torque:** M5, 5Nm  
Remove the cable harness clips.  
Remove the screw.



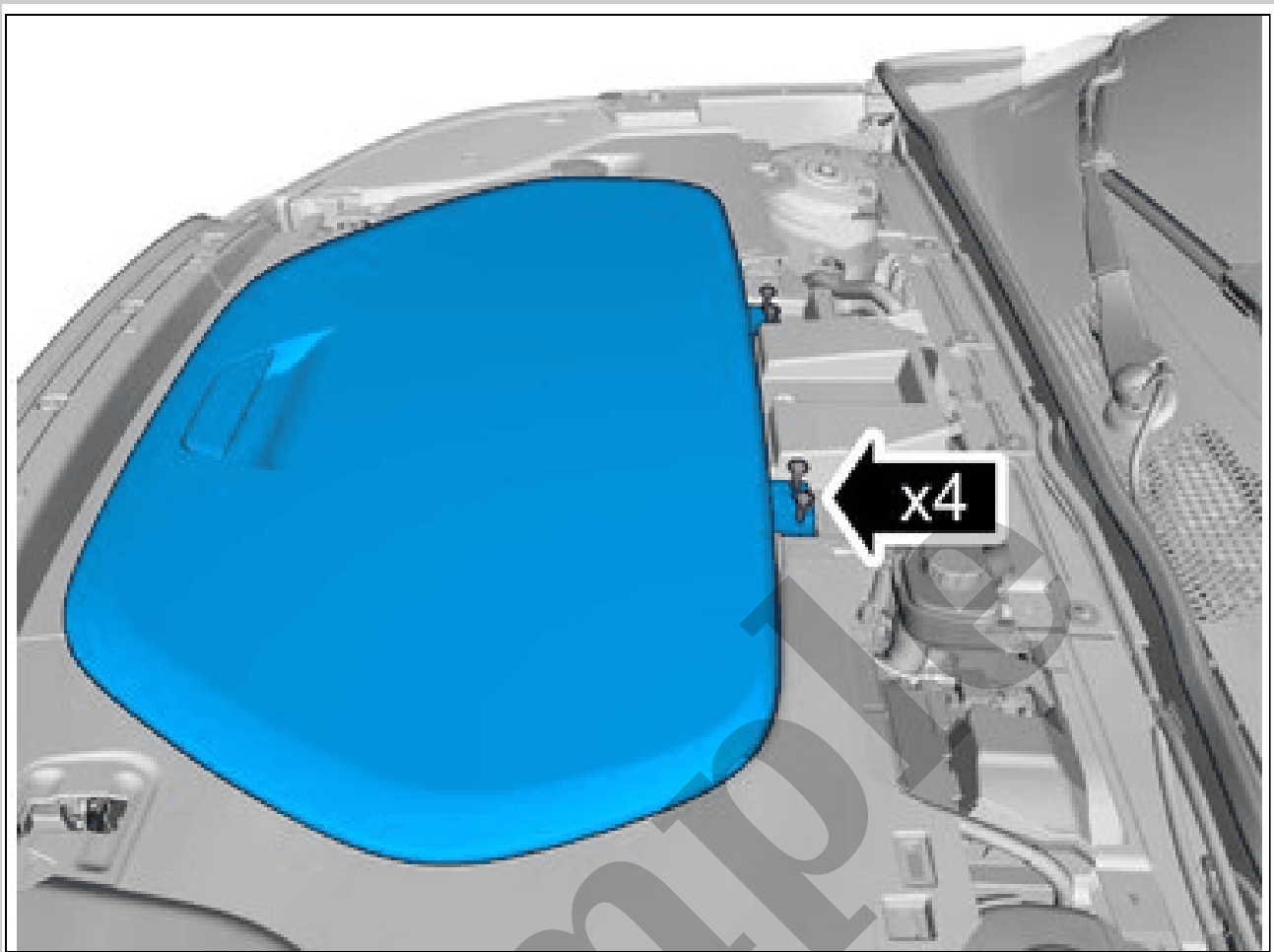
Courtesy of VOLVO CARS CORPORATION

- Remove the screws.
- Remove the nuts.
- Remove the clips.
- Remove the marked part.



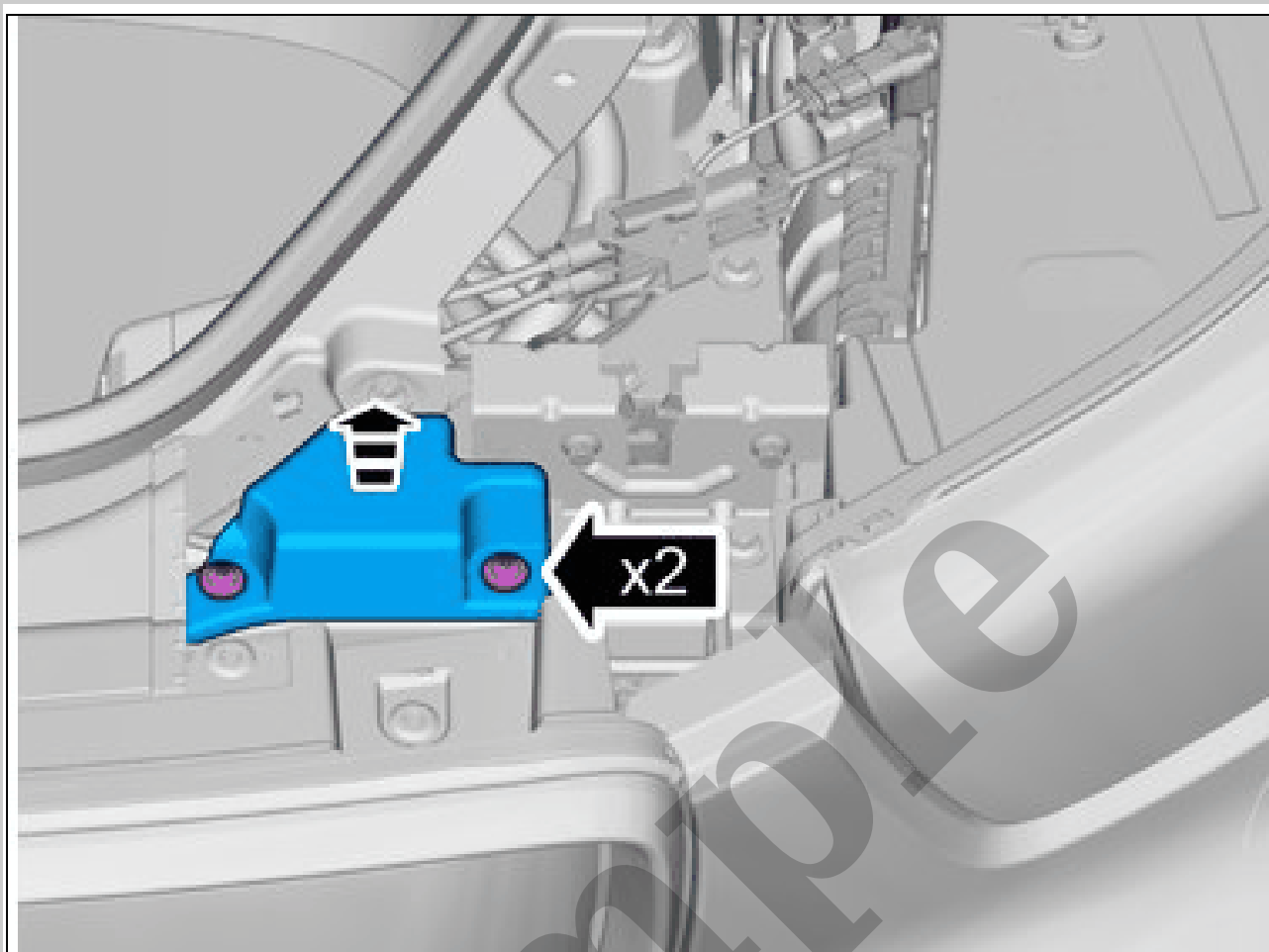
Courtesy of VOLVO CARS CORPORATION

**Torque:** M6, 10Nm  
Remove the screws.



Courtesy of VOLVO CARS CORPORATION

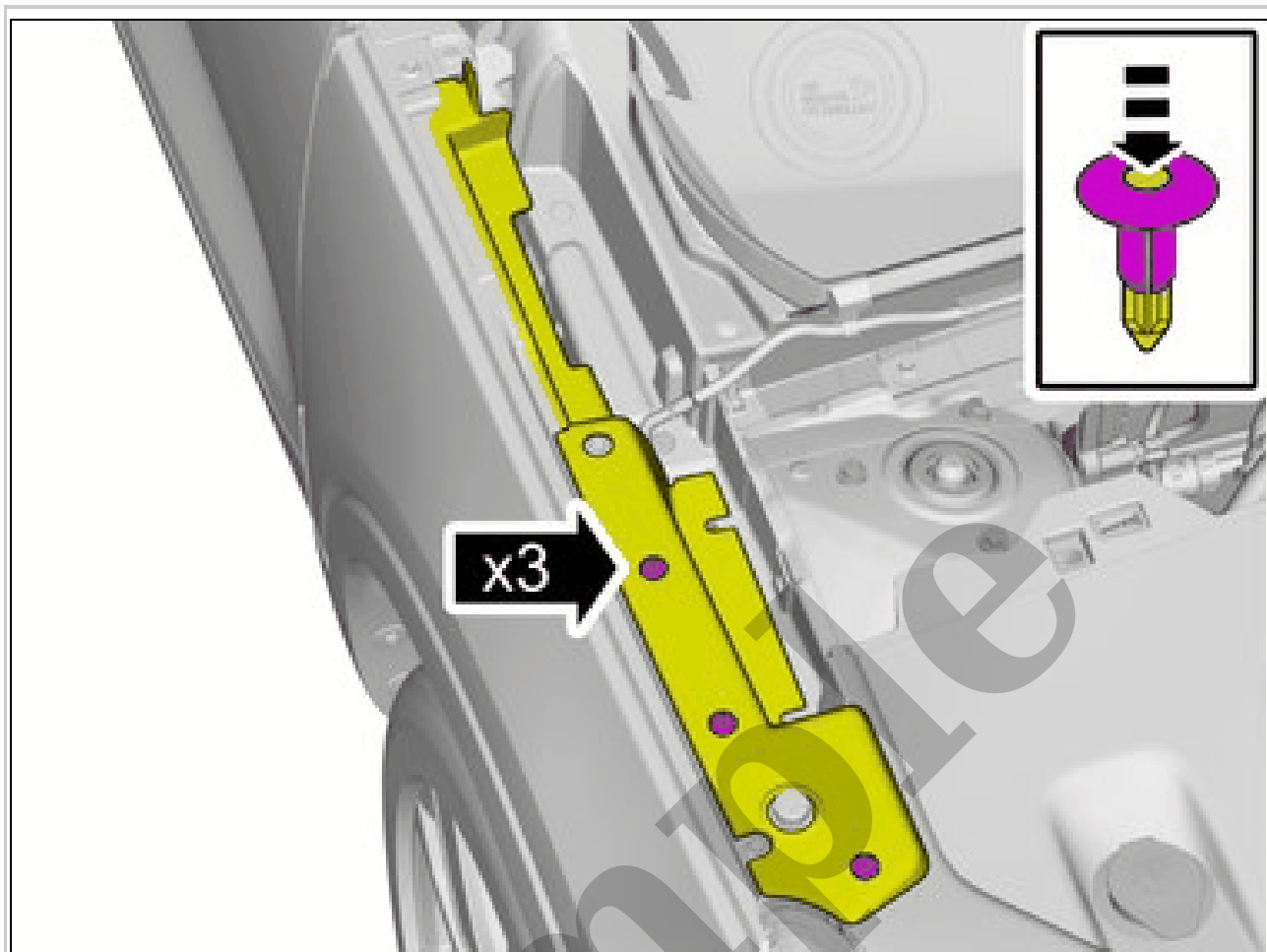
Remove the screws.



Courtesy of VOLVO CARS CORPORATION

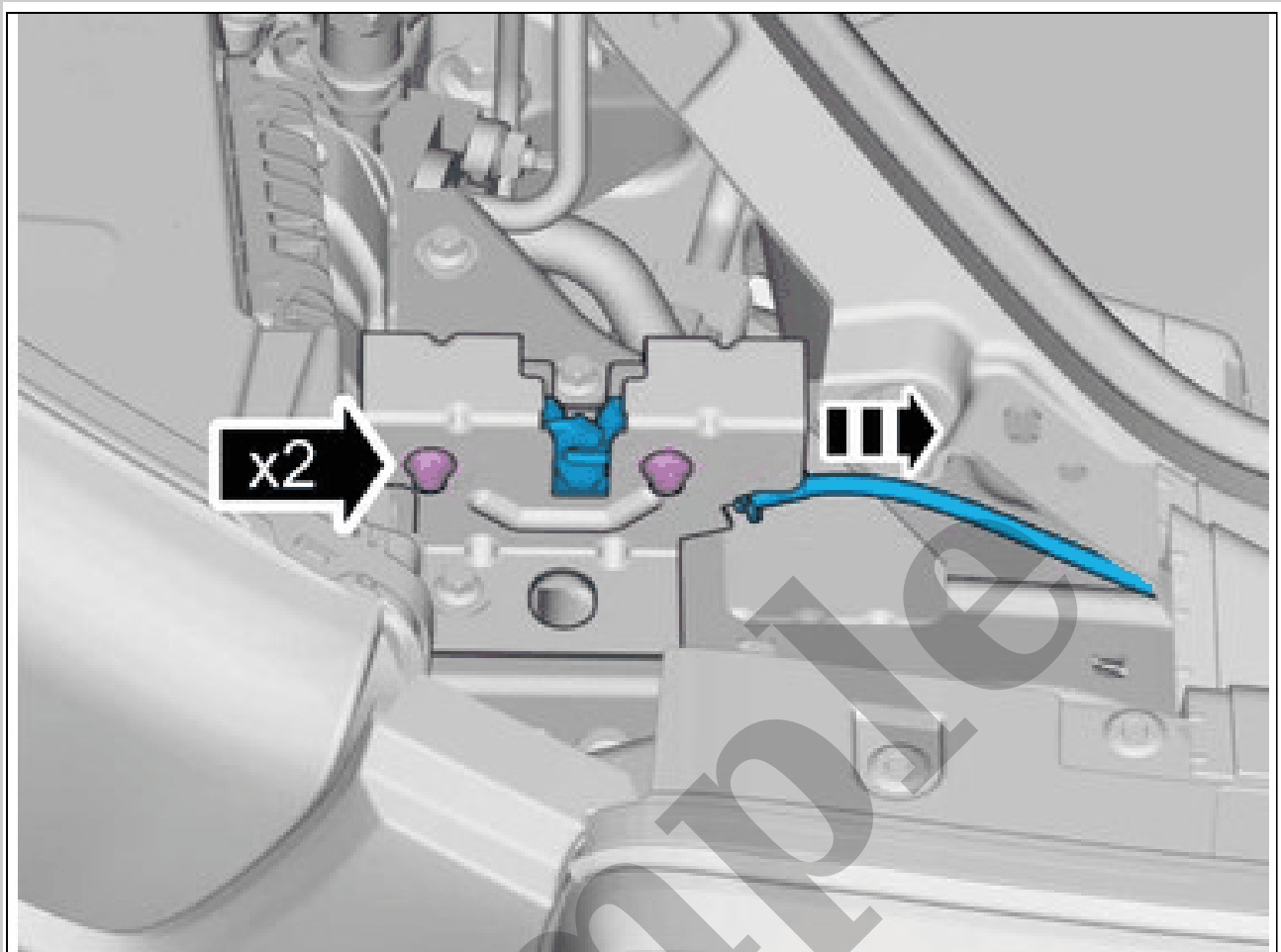
Remove the screws.  
Remove the marked part.





Courtesy of VOLVO CARS CORPORATION

Loosen the component indicated. Do not remove it.  
Remove the clips.



Courtesy of VOLVO CARS CORPORATION

Remove the screws.

**Torque:** M6, 10Nm

Pull the component in direction of the arrow.