

# Your Ultimate Source for OEM Repair Manuals

FactoryManuals.net is a great resource for anyone who wants to save money on repairs by doing their own work. The manuals provide detailed instructions and diagrams that make it easy to understand how to fix a vehicle.

## 2014 Volvo S80 Service and Repair Manual

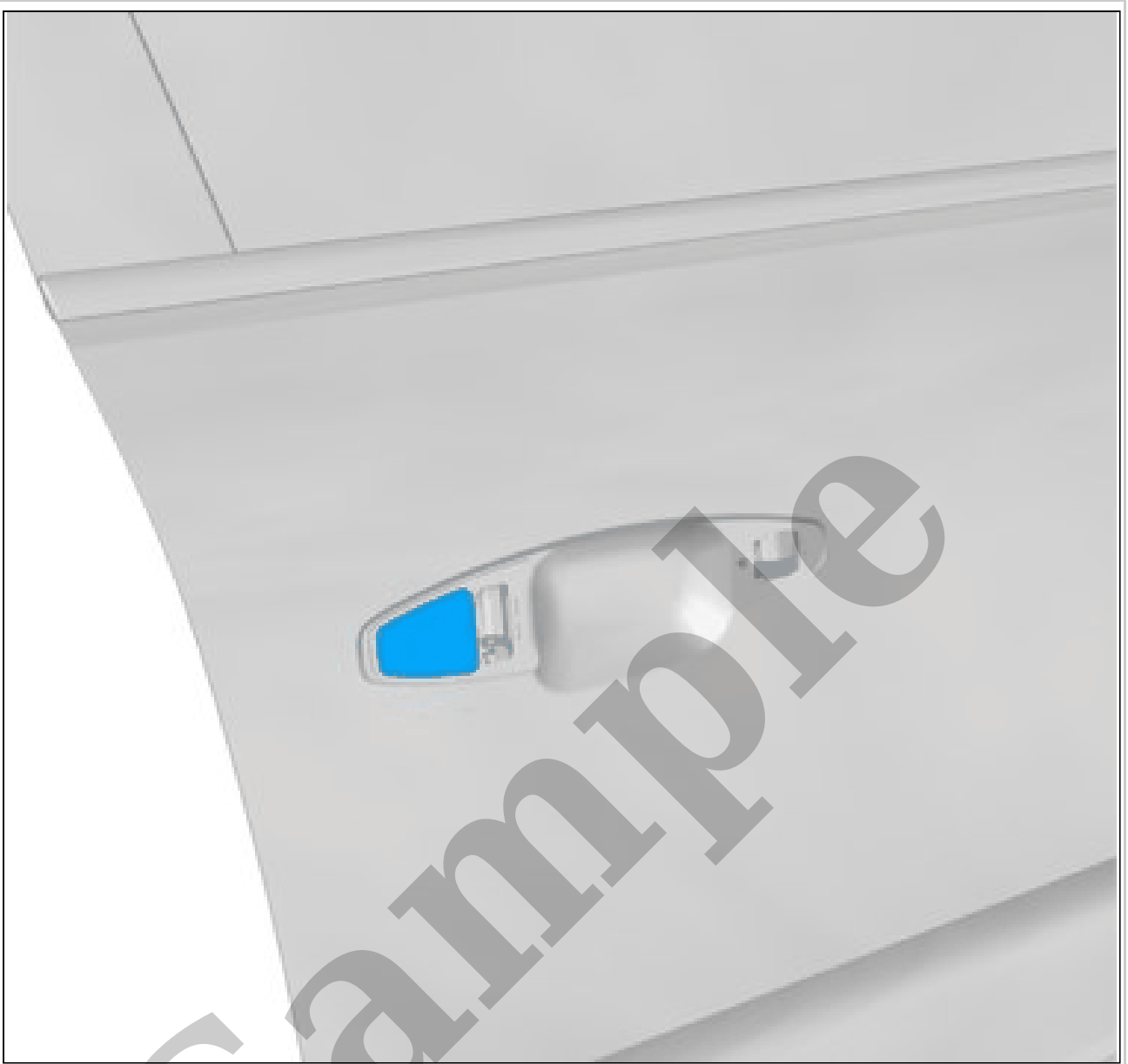
[Go to manual page](#)



Courtesy of VOLVO CARS CORPORATION

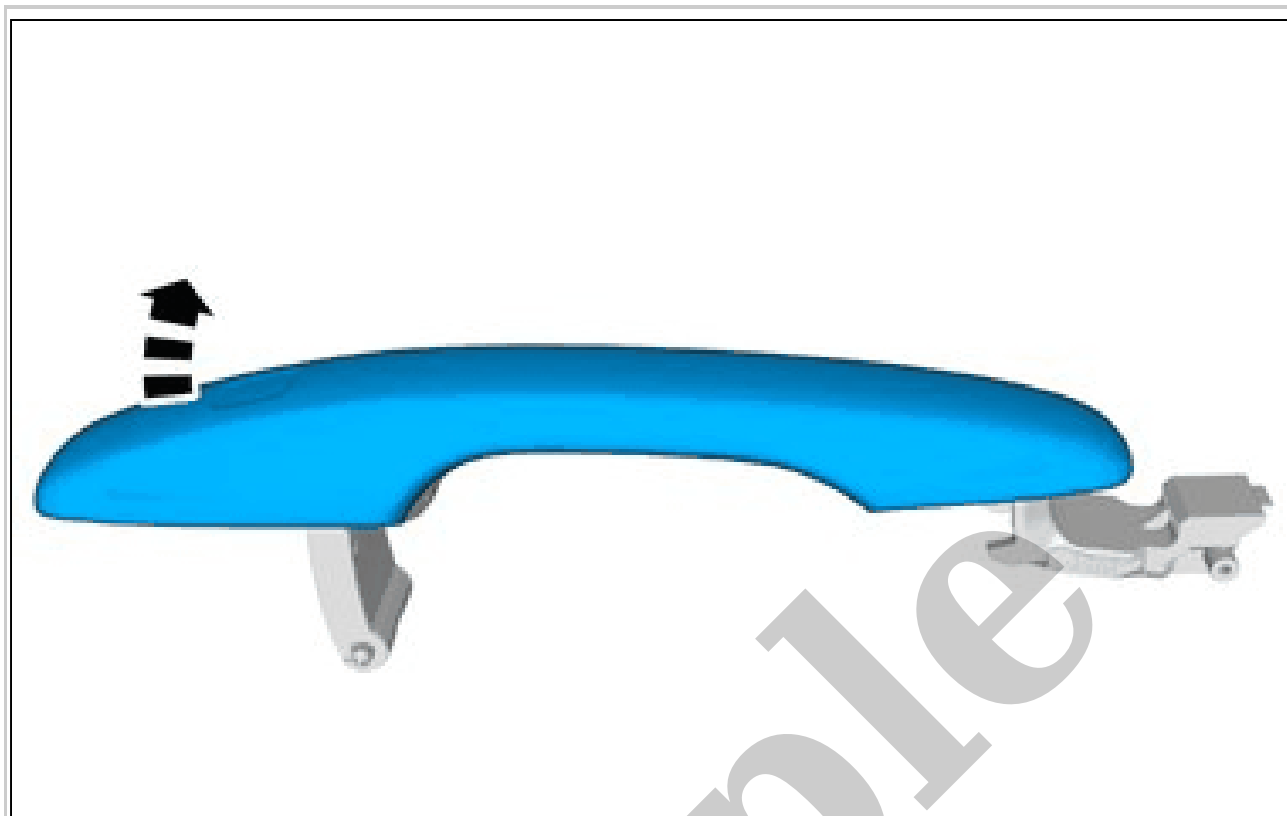
Remove the marked part.

**APPLIES TO THE PASSENGER SIDE**



Courtesy of VOLVO CARS CORPORATION

Remove the marked part.



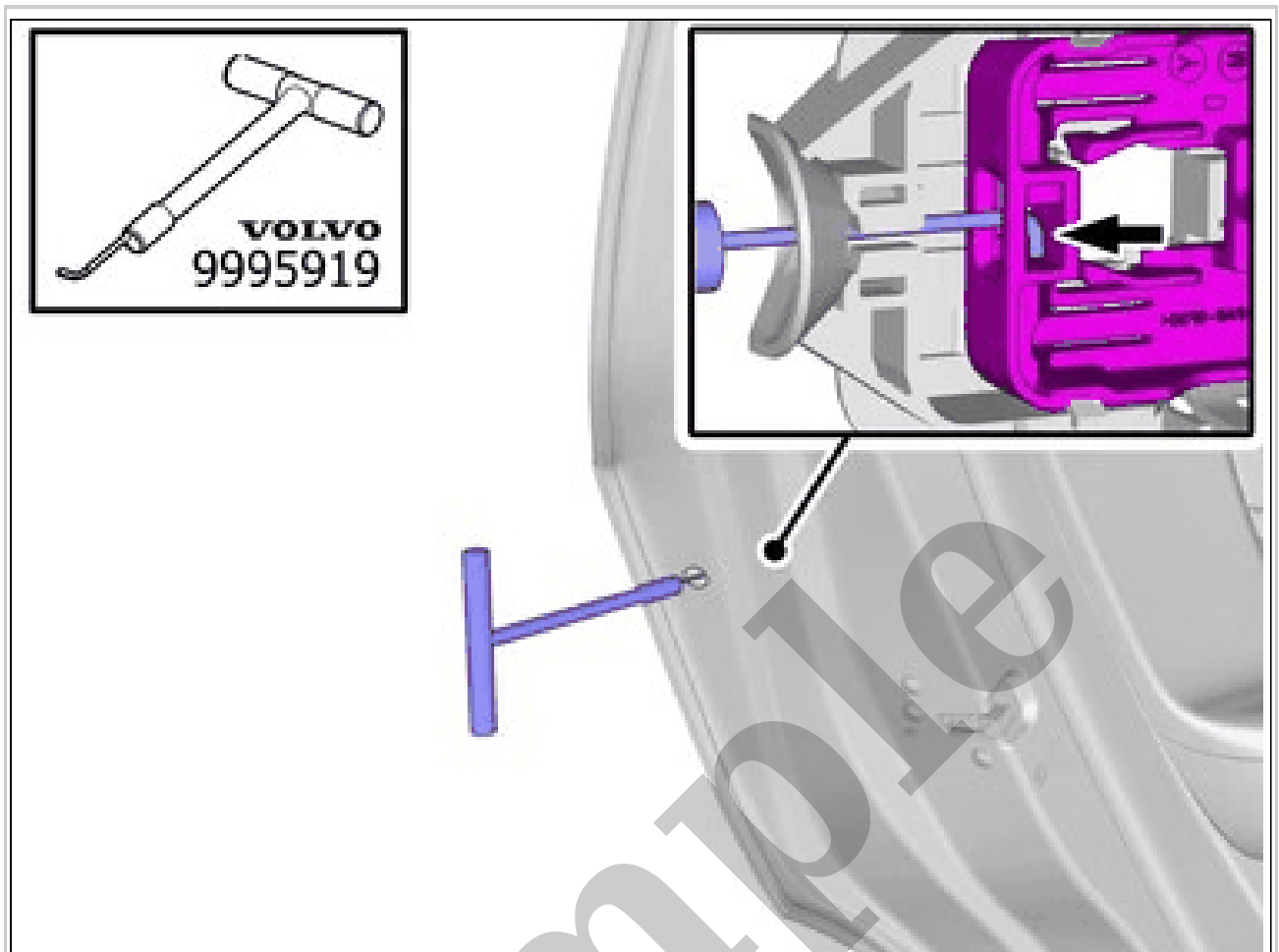
Courtesy of VOLVO CARS CORPORATION

Remove the marked part.

**INSTALLATION**

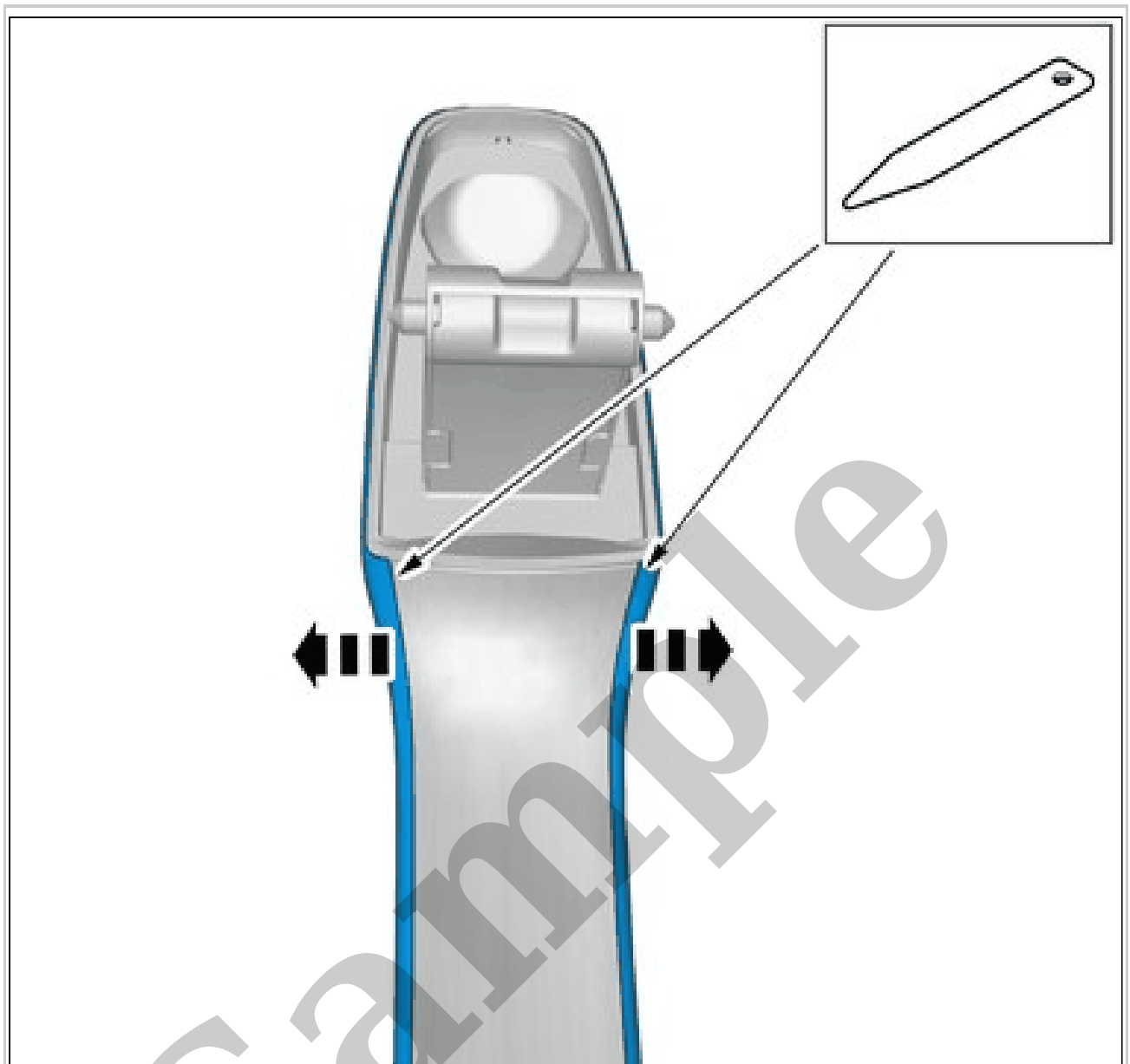
To install, reverse the removal procedure.

**APPLIES TO THE DRIVER'S SIDE**



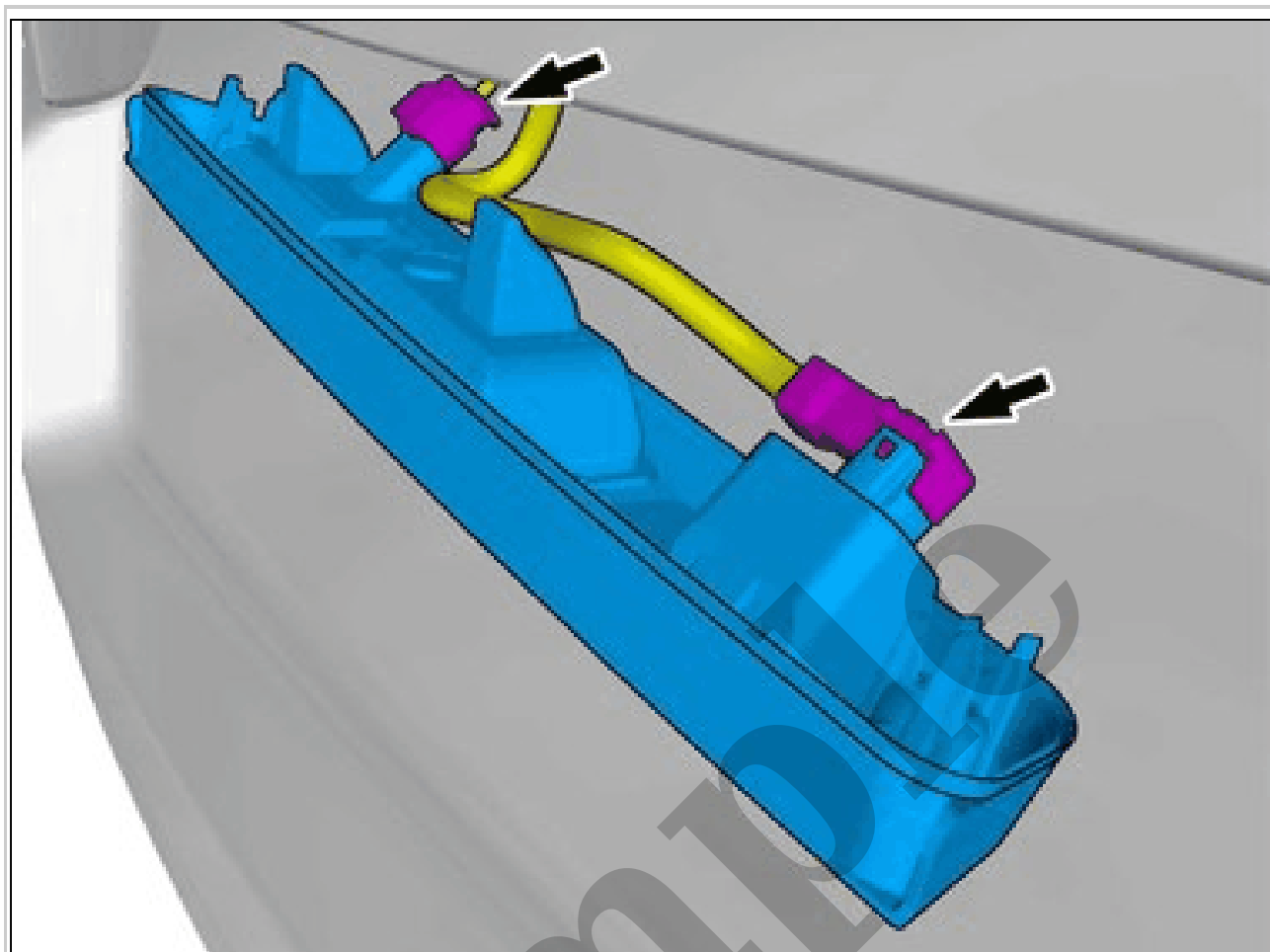
Courtesy of VOLVO CARS CORPORATION

Place tool according to image.  
Special Tool: 999 5919 PULLER



Courtesy of VOLVO CARS CORPORATION

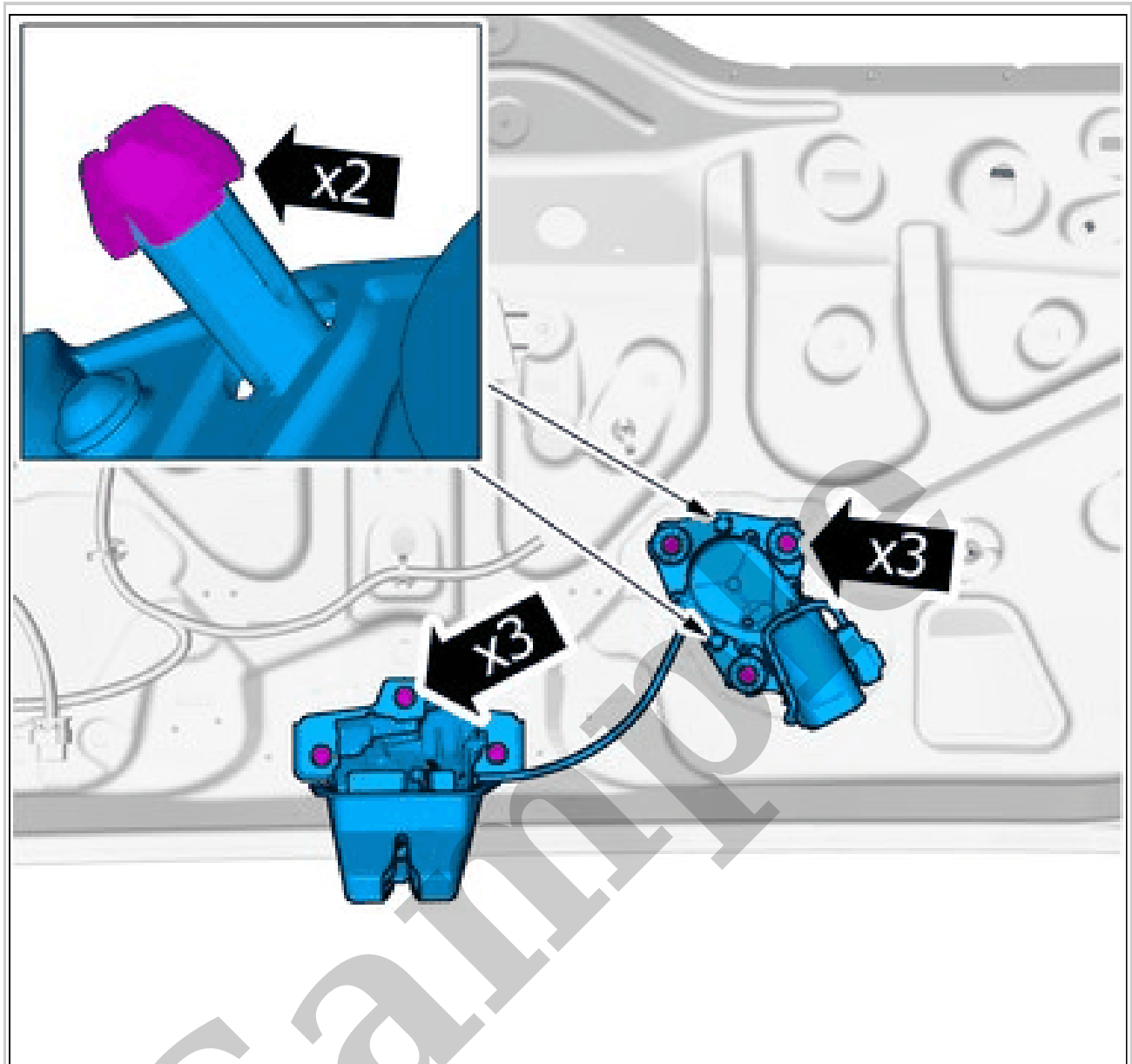
Release the locks.



Courtesy of VOLVO CARS CORPORATION

**NOTE:** *The number of connectors may vary depending on the vehicle's equipment level.*

Disconnect the connectors.  
Remove the marked part.



Courtesy of VOLVO CARS CORPORATION

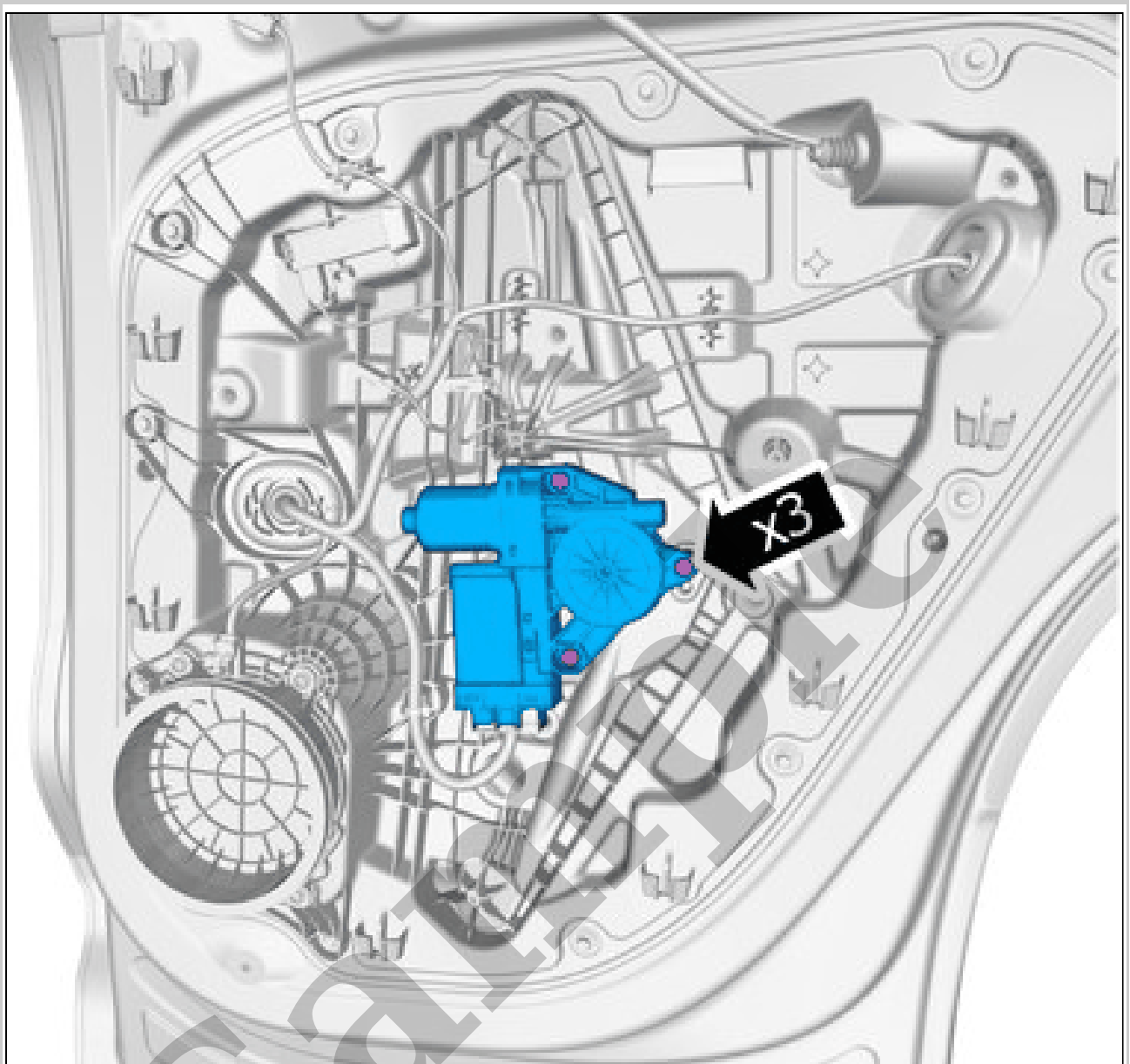
**Torque:** M6, 10Nm

Remove the screws.

Remove the marked part.

**TRANSFERRING COMPONENTS**





Courtesy of VOLVO CARS CORPORATION

Remove the screws.  
Remove the marked part.

### **ELECTRIC MOTOR, LIFT MECHANISM, REAR DOOR > ELECTRIC MOTOR, LIFT MECHANISM, REAR DOOR [2018-2022] > INSTALLATION**

To install, reverse the removal procedure.  
Perform power window motor, initiation. Refer to: DOOR WINDOW MOTOR INITIALIZATION

### **LIFT MECHANISM, FRONT DOOR > LIFT MECHANISM, FRONT DOOR [2018-2022] > REMOVAL**



Courtesy of VOLVO CARS CORPORATION

Remove the screw.