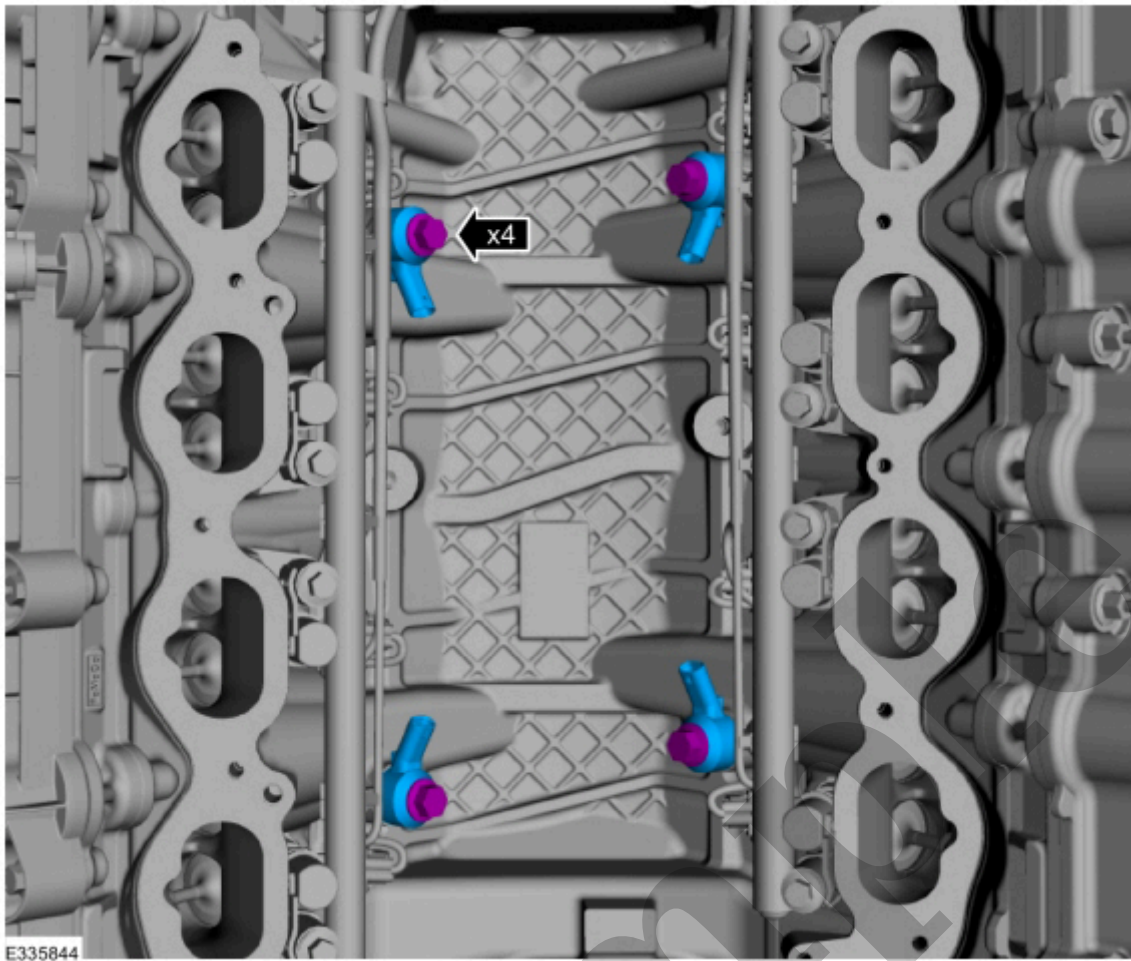


Your Ultimate Source for OEM Repair Manuals

FactoryManuals.net is a great resource for anyone who wants to save money on repairs by doing their own work. The manuals provide detailed instructions and diagrams that make it easy to understand how to fix a vehicle.

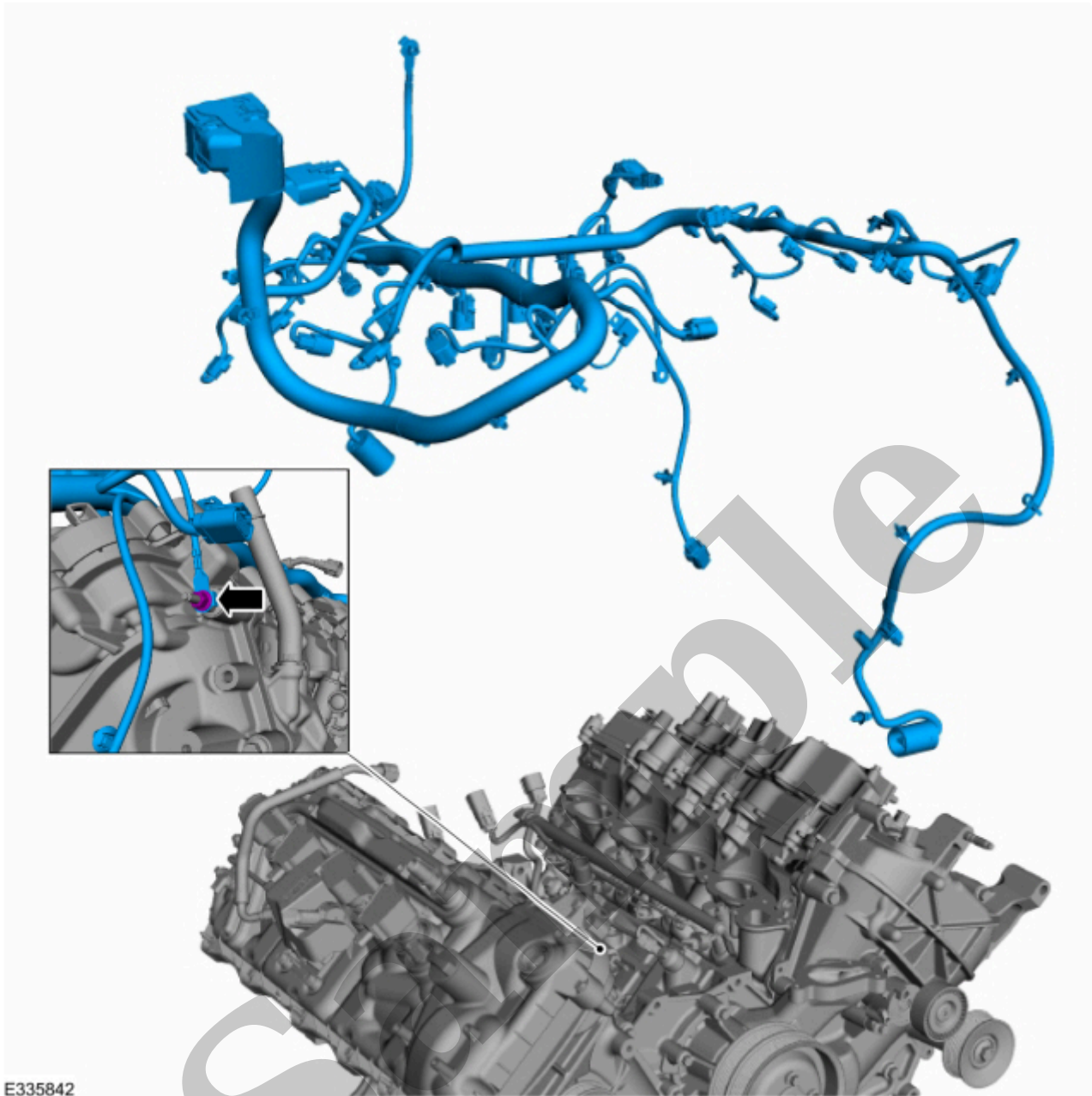
2014 Ford Focus Service and Repair Manual

[Go to manual page](#)



[Click here to learn about symbols, color coding, and icons used in this manual.](#)

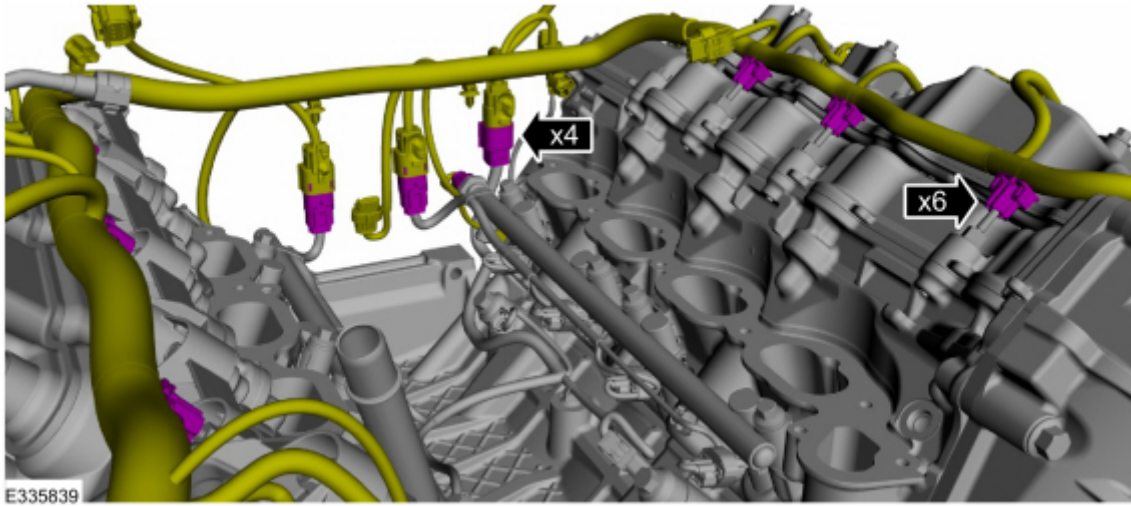
124.
 1. Install the KS (knock sensor) harness onto the engine.
 2. Attach the wiring harness retainers.
 3. Connect the KS (knock sensor) electrical connectors.



E335842

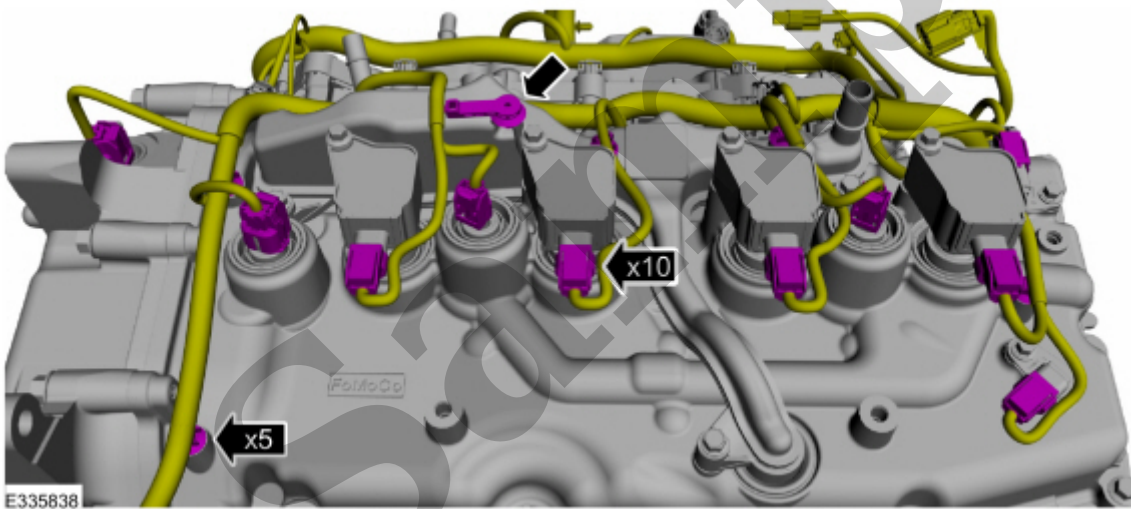
[Click here to learn about symbols, color coding, and icons used in this manual.](#)

126.
 1. Connect the engine wiring harness electrical connectors.
 2. Attach the engine wiring harness retainers.



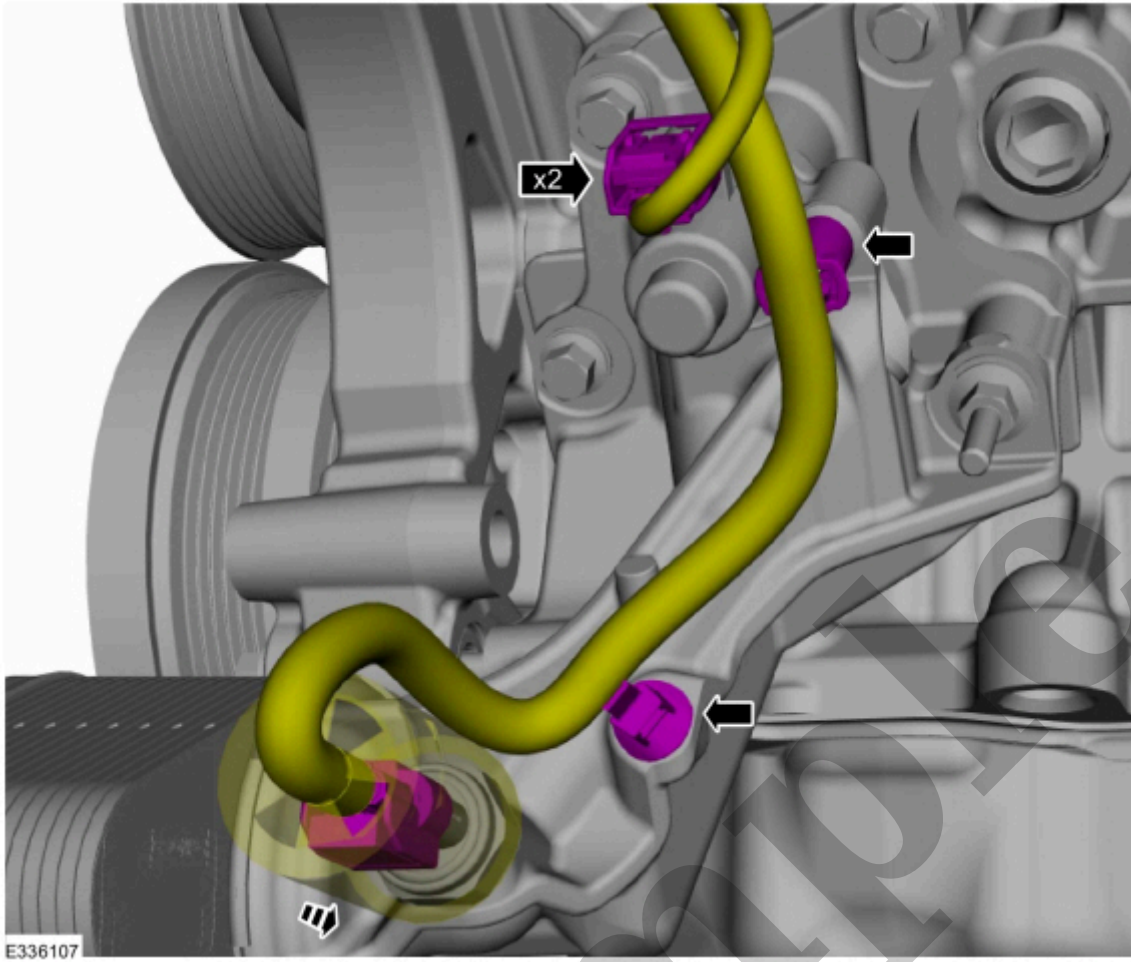
[Click here to learn about symbols, color coding, and icons used in this manual.](#)

129. 1. Connect the engine wiring harness electrical connectors.
2. Attach the engine wiring harness retainers.



[Click here to learn about symbols, color coding, and icons used in this manual.](#)

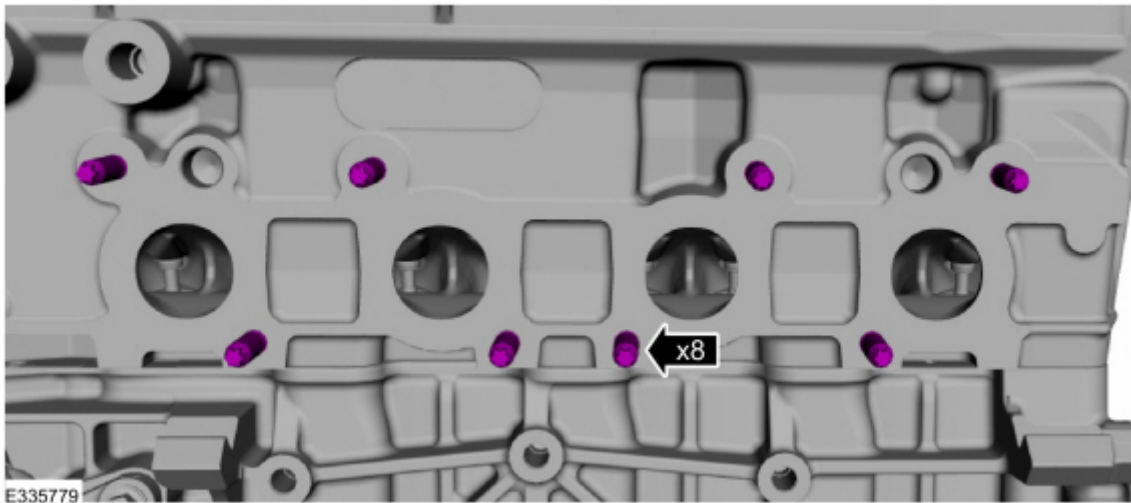
130. .
Attach the engine wiring harness retainers.



[Click here to learn about symbols, color coding, and icons used in this manual.](#)

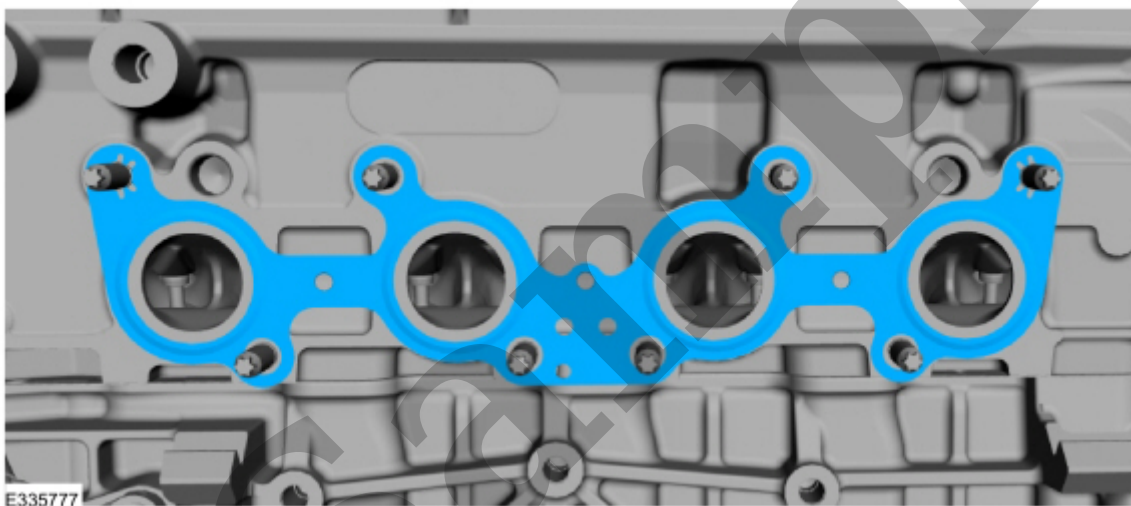
132. .

Install the LH (left-hand) valve cover insulator and the fasteners.



[Click here to learn about symbols, color coding, and icons used in this manual.](#)

135. Install a new gasket.



[Click here to learn about symbols, color coding, and icons used in this manual.](#)

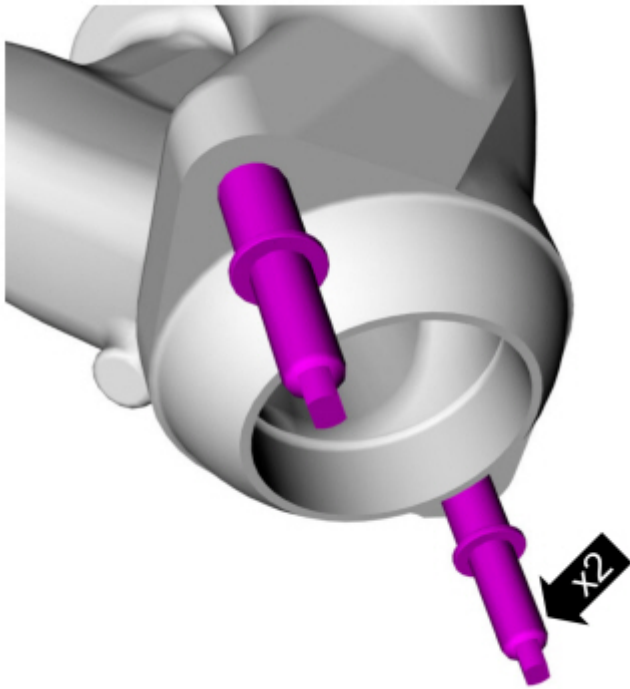
136. Install the exhaust manifold.

- Install the new nuts.

Torque :

Stage 1: 18 lb.ft (24 Nm)

Stage 2: 24 lb.ft (32 Nm)

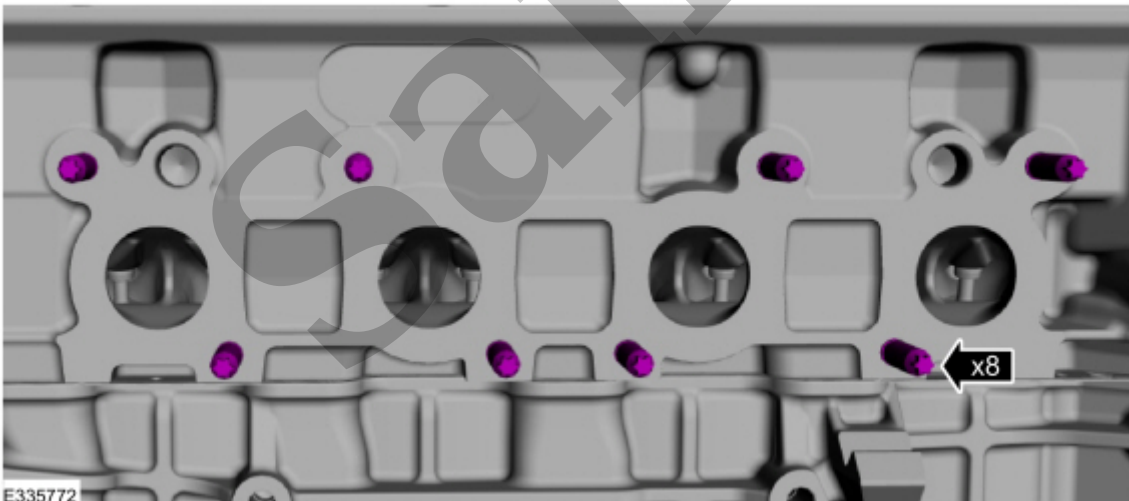


E221920

[Click here to learn about symbols, color coding, and icons used in this manual.](#)

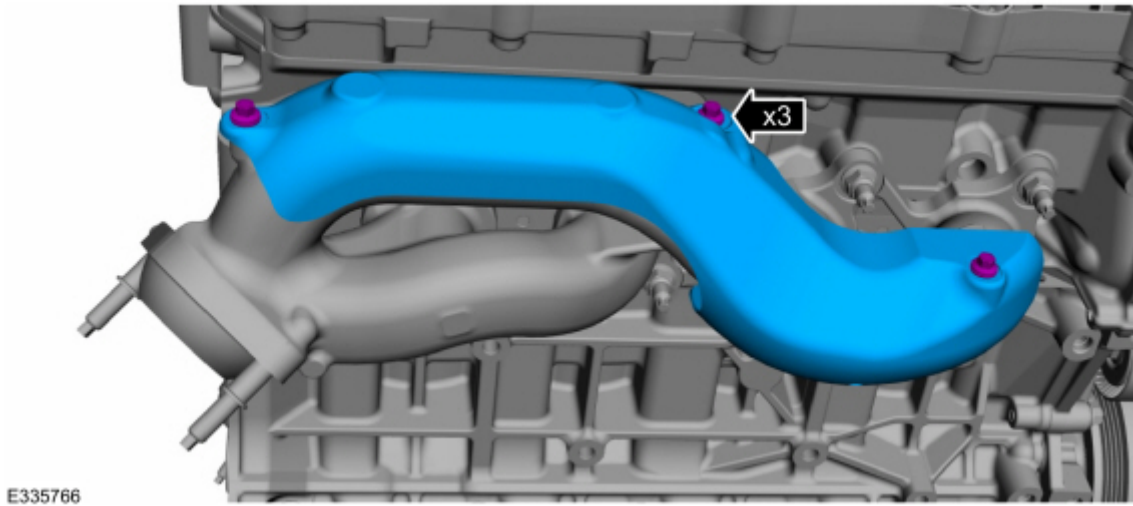
139. Install new studs.

Torque : 18 lb.ft (25 Nm)



[Click here to learn about symbols, color coding, and icons used in this manual.](#)

140. Install a new gasket.



E335766

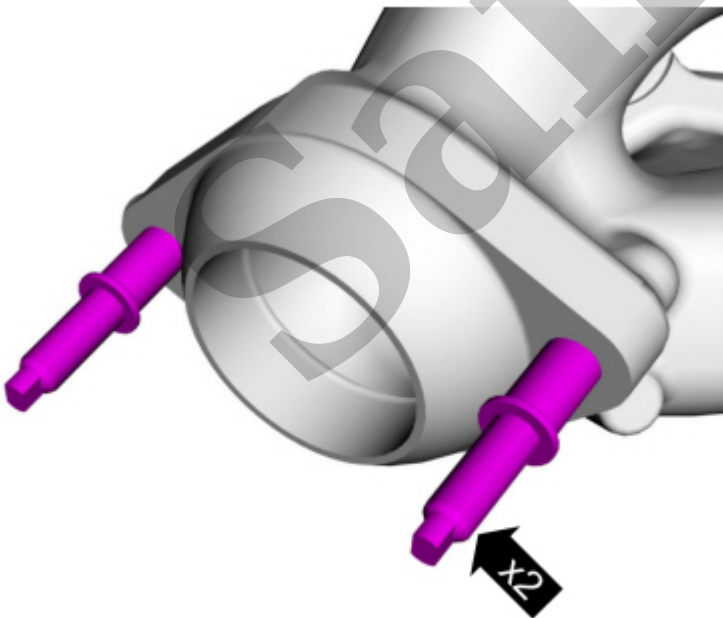
[Click here to learn about symbols, color coding, and icons used in this manual.](#)

143. **NOTE**

Some replacement exhaust manifolds do not come with studs.

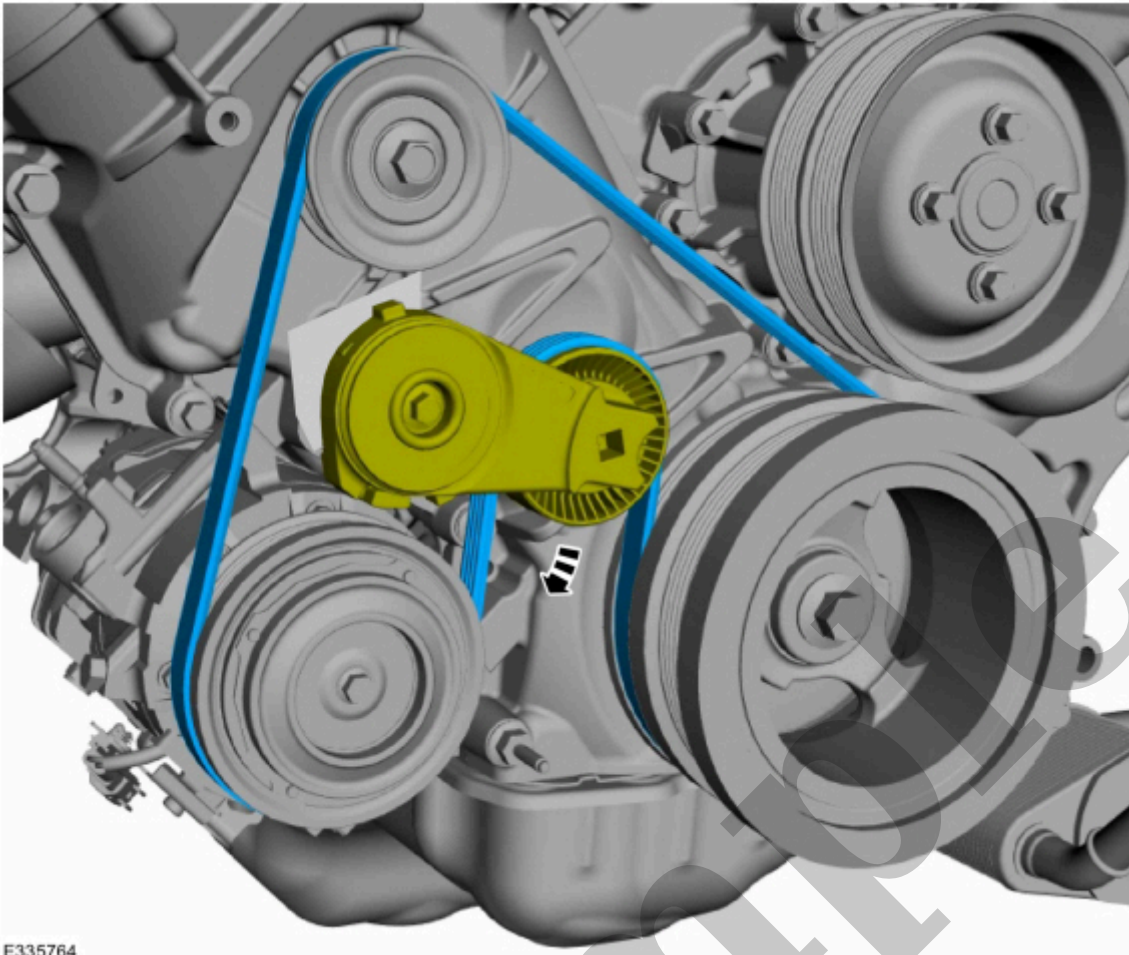
If necessary, install new studs.

Torque : 30 lb.ft (40 Nm)



E221919

[Click here to learn about symbols, color coding, and icons used in this manual.](#)



E335764

[Click here to learn about symbols, color coding, and icons used in this manual.](#)

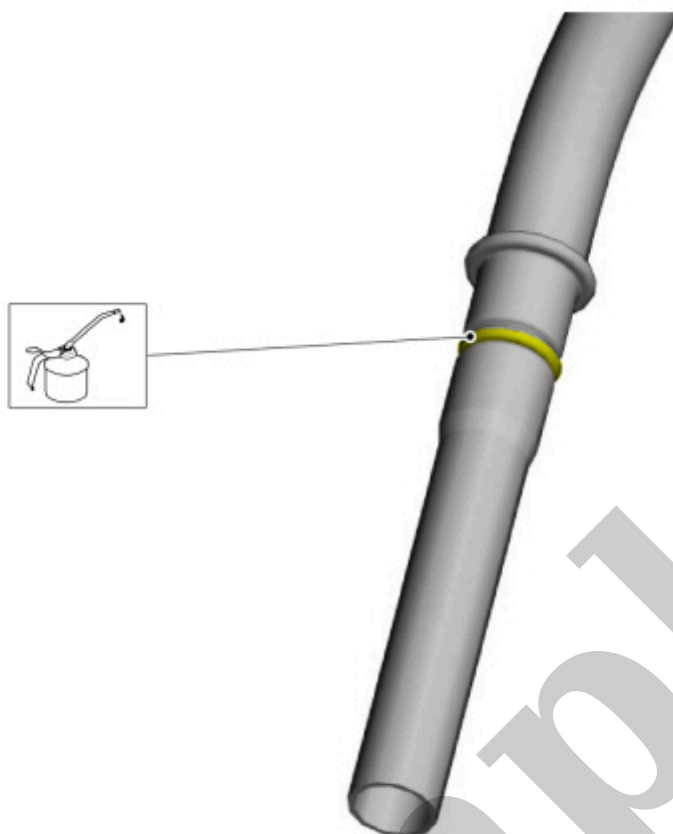
146. **NOTE**

If a new RH (right-hand) engine mount is installed, remove the 2 studs prior to positioning the engine in the vehicle.

Install the RH (right-hand) engine mount and the new bolts.

Torque : 55 lb.ft (75 Nm)

148. Lubricate the O-ring seal with clean engine oil.



E321436

[Click here to learn about symbols, color coding, and icons used in this manual.](#)

- 149.
- Install the oil level indicator tube.
 - Install the nuts.

Torque : 71 lb.in (8 Nm)

- Install the oil level indicator.