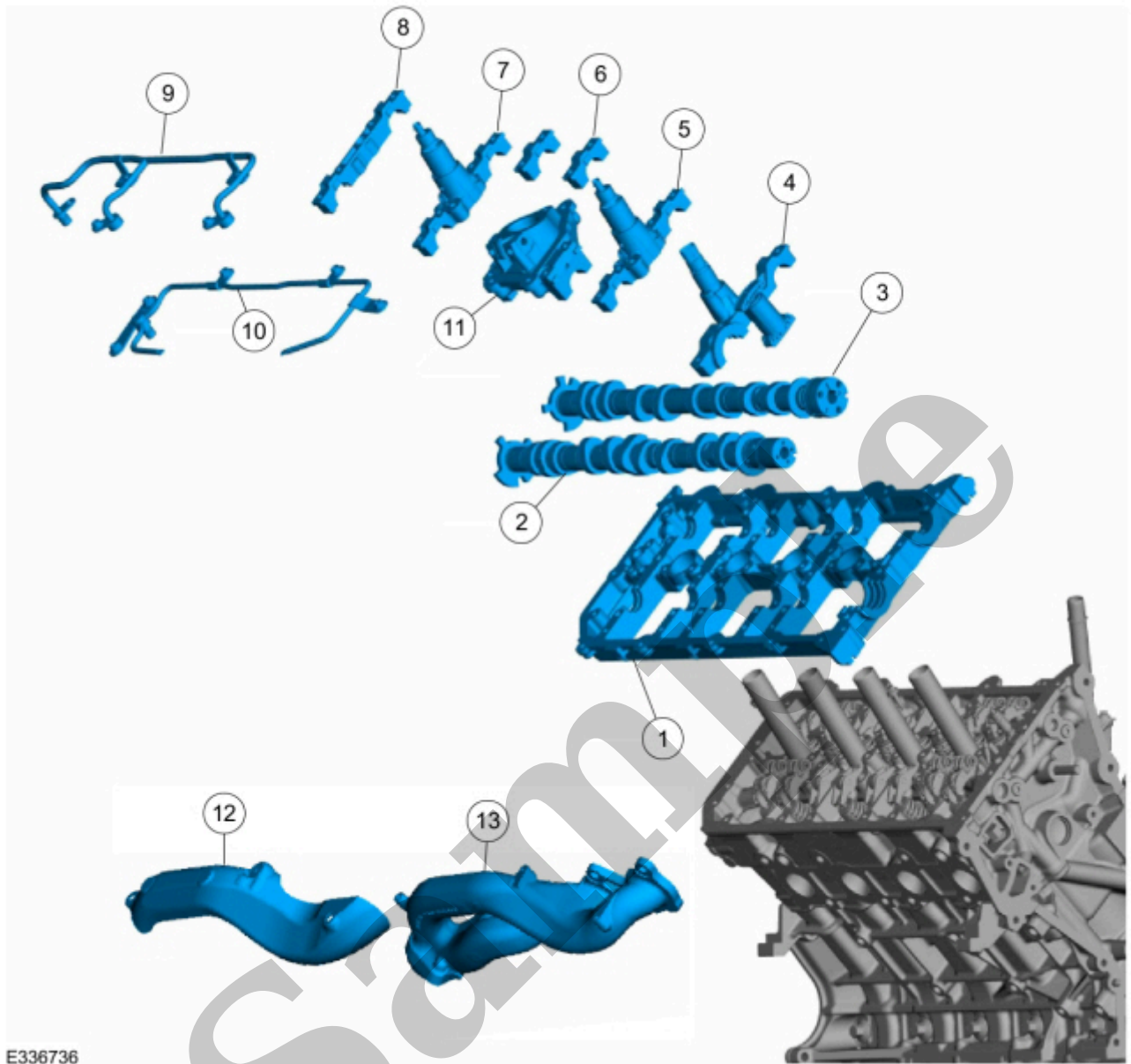


Your Ultimate Source for OEM Repair Manuals

FactoryManuals.net is a great resource for anyone who wants to save money on repairs by doing their own work. The manuals provide detailed instructions and diagrams that make it easy to understand how to fix a vehicle.

2014 Ford Explorer Service and Repair Manual

[Go to manual page](#)

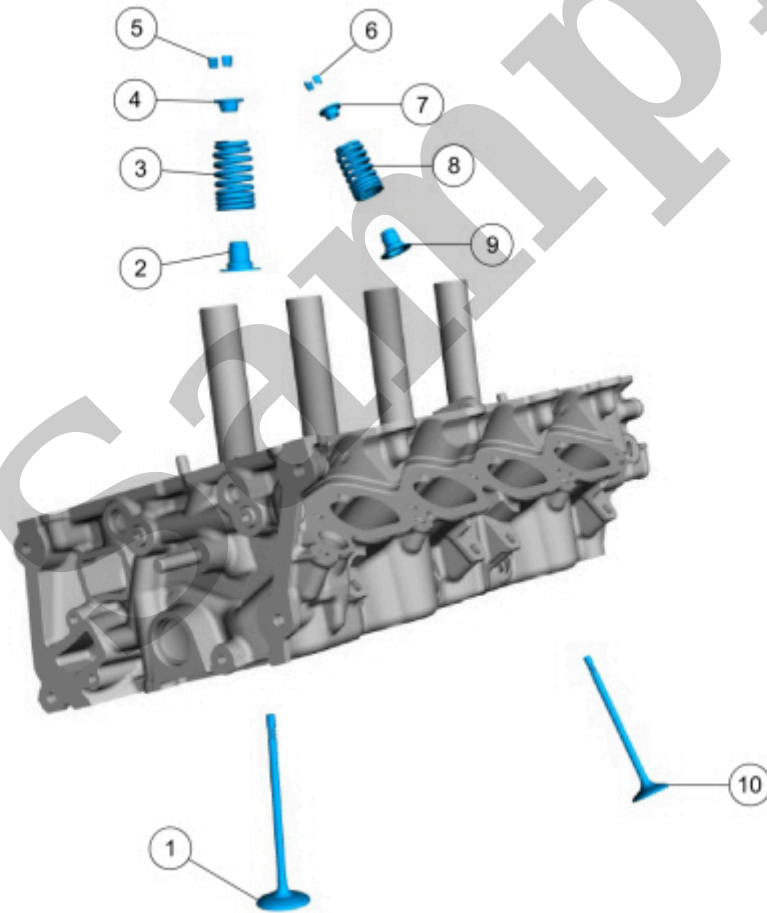


E336736

Item	Part Number	Description
1	6L284	Camshaft carrier
2	6A272	Exhaust camshaft
3	6A270	Intake camshaft
4	6B280-A	Camshaft bearing cap
5	6B280-D	Camshaft bearing cap

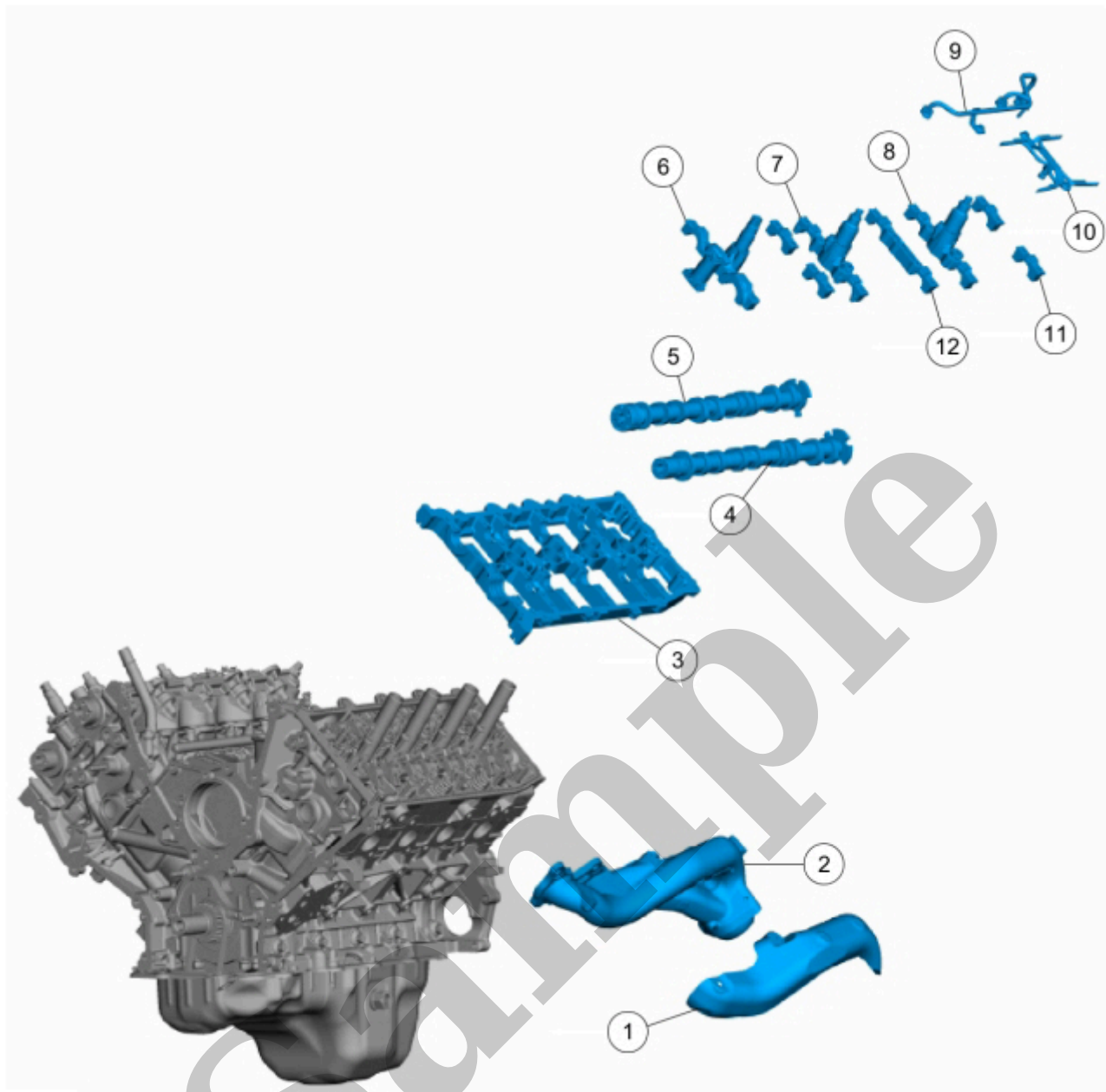
2	6049	Cylinder head
3	6C501	Lash adjuster (cylinder deactivating) (8 required)
4	6529	Rocker arm (cylinder deactivating) (8 required)
5	6529	Rocker arm (8 required)
6	6C501	Lash adjuster (8 required)
7	9S441	Direct injection fuel rail
8	9G929	Direct injection fuel injector (4 required)

Engine — RH Cylinder Head Components (view 2 of 2)



E344583

Item	Part Number	Description
------	-------------	-------------

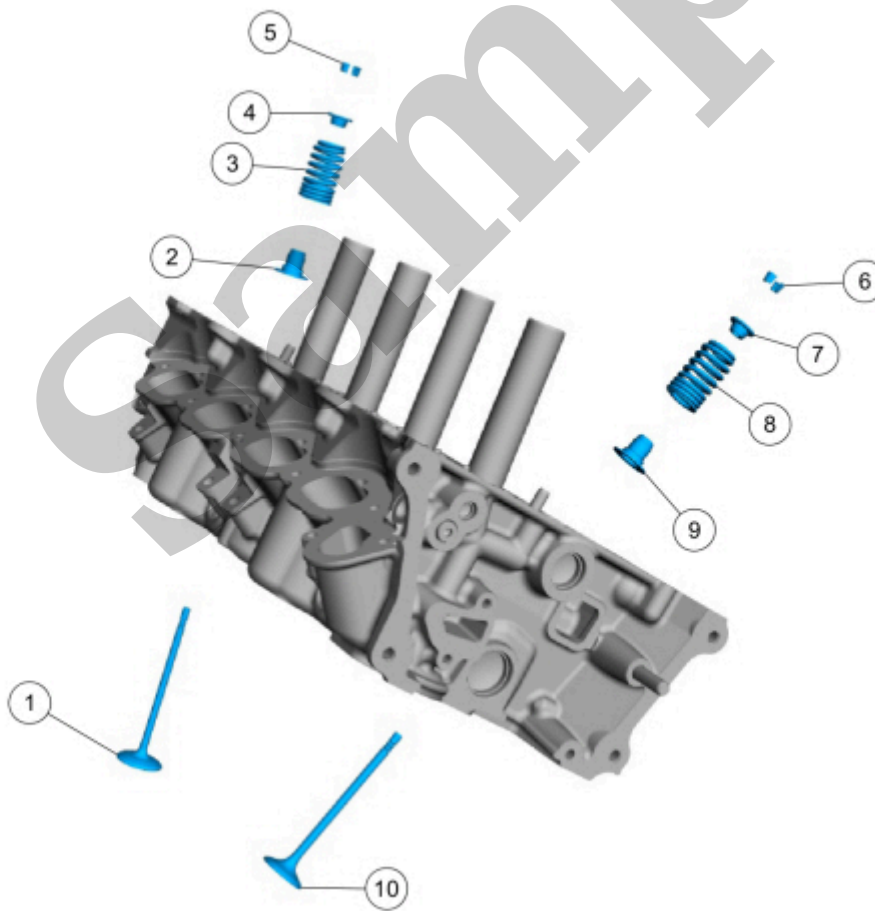


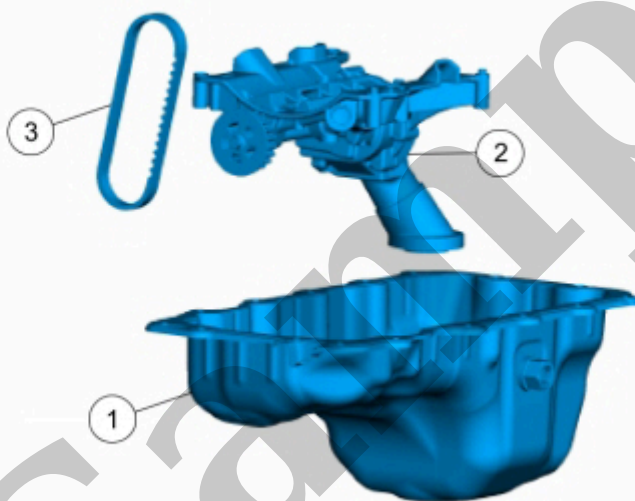
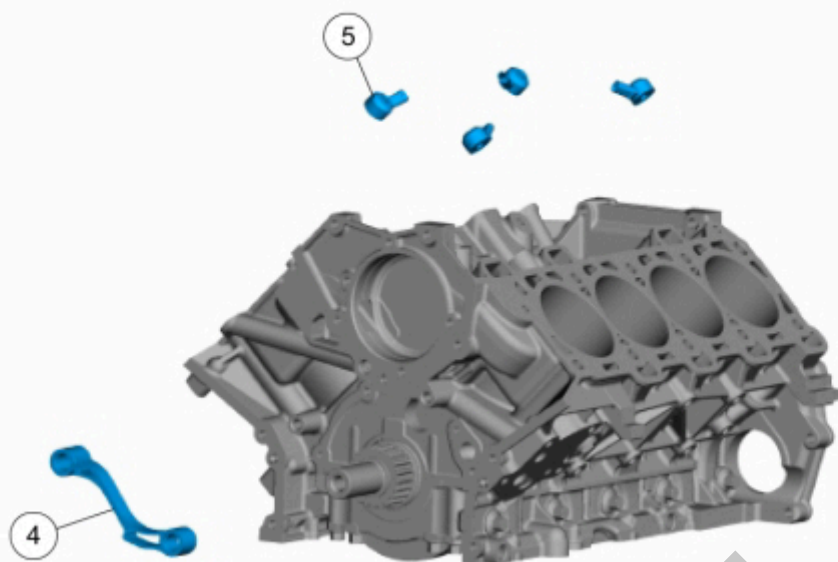
E336716

Item	Part Number	Description
1	9Y427	Heat shield
2	9431	Exhaust manifold
3	6E267	Camshaft carrier
4	6A273	Exhaust camshaft
5	6A271	Intake camshaft

3	9U550	Rear insulator
4	9S441	Direct injection fuel rail
5	9G929	Direct injection fuel injector (4 required)
6	6C501	Lash adjuster (cylinder deactivating) (8 required)
7	6529	Rocker arm (cylinder deactivating) (8 required)
8	6529	Rocker arm (8 required)
9	6C501	Lash adjuster (8 required)
10	6050	Cylinder head

Engine — LH cylinder Head Components (view 2 of 2)





E336728

Item	Part Number	Description
1	6675	Oil pan
2	6600	Oil pump
3	6K288	Oil pump drive belt
4	6E271	Cam drive install aid
5	12A699	Knock sensor (4 required)

5	6333	Crankshaft upper main bearing (5 required)
6	6A341	Thrust washer
7	6K878	Piston cooling jets
8	6010	Cylinder block
9	6K318	Crankshaft rear seal retainer plate
10	6701	Crankshaft rear seal

Piston Assembly



E336737

Item	Part Number	Description
------	-------------	-------------

Diagnosis And Testing

303-01E Engine - 5.0L 32V Ti-VCT	2022 F-150
Diagnosis and Testing	Procedure revision date: 10/7/2020

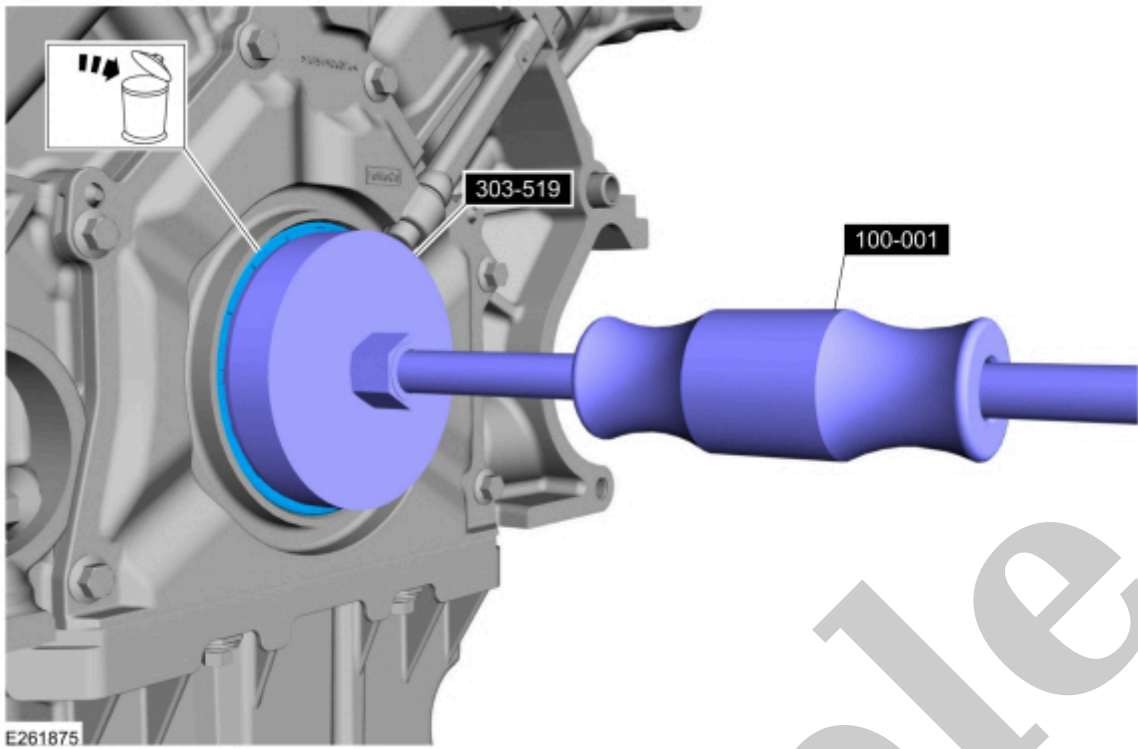
Engine

1. For gas engine mechanical diagnosis and testing,

REFER to: [Engine - Flex Fuel - Ethanol/Full Hybrid Electric Vehicle \(FHEV\)/Gasoline\(303-00 Engine System - General Information, Diagnosis and Testing\)](#).

For DTC (Diagnostic Trouble Code) related concerns, REFER to the Master DTC Chart.

Copyright © Ford Motor Company



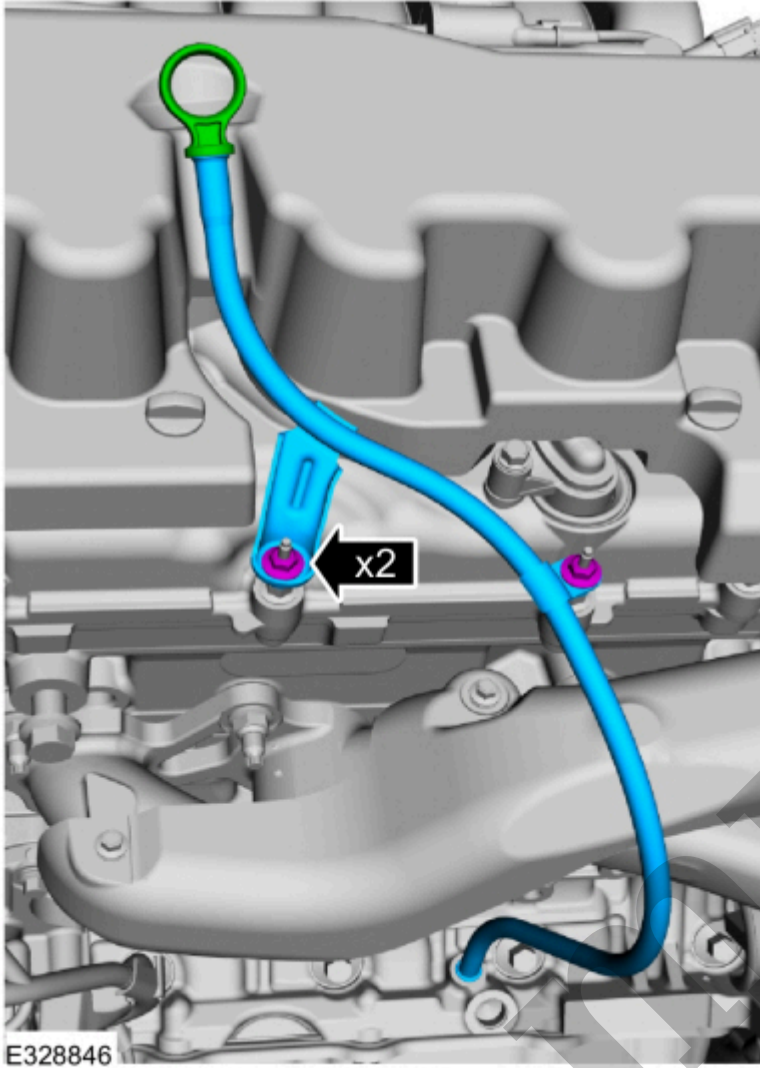
[Click here to learn about symbols, color coding, and icons used in this manual.](#)

2. Using a floor crane, install the engine on a mounting stand and remove the special tool.

Remove Special Service Tool : 303-F047 Lifting Bracket, Engine

Use the General Equipment: Floor Crane

Use the General Equipment: Mounting Stand



[Click here to learn about symbols, color coding, and icons used in this manual.](#)

4. Inspect the O-ring seal and replace as necessary.