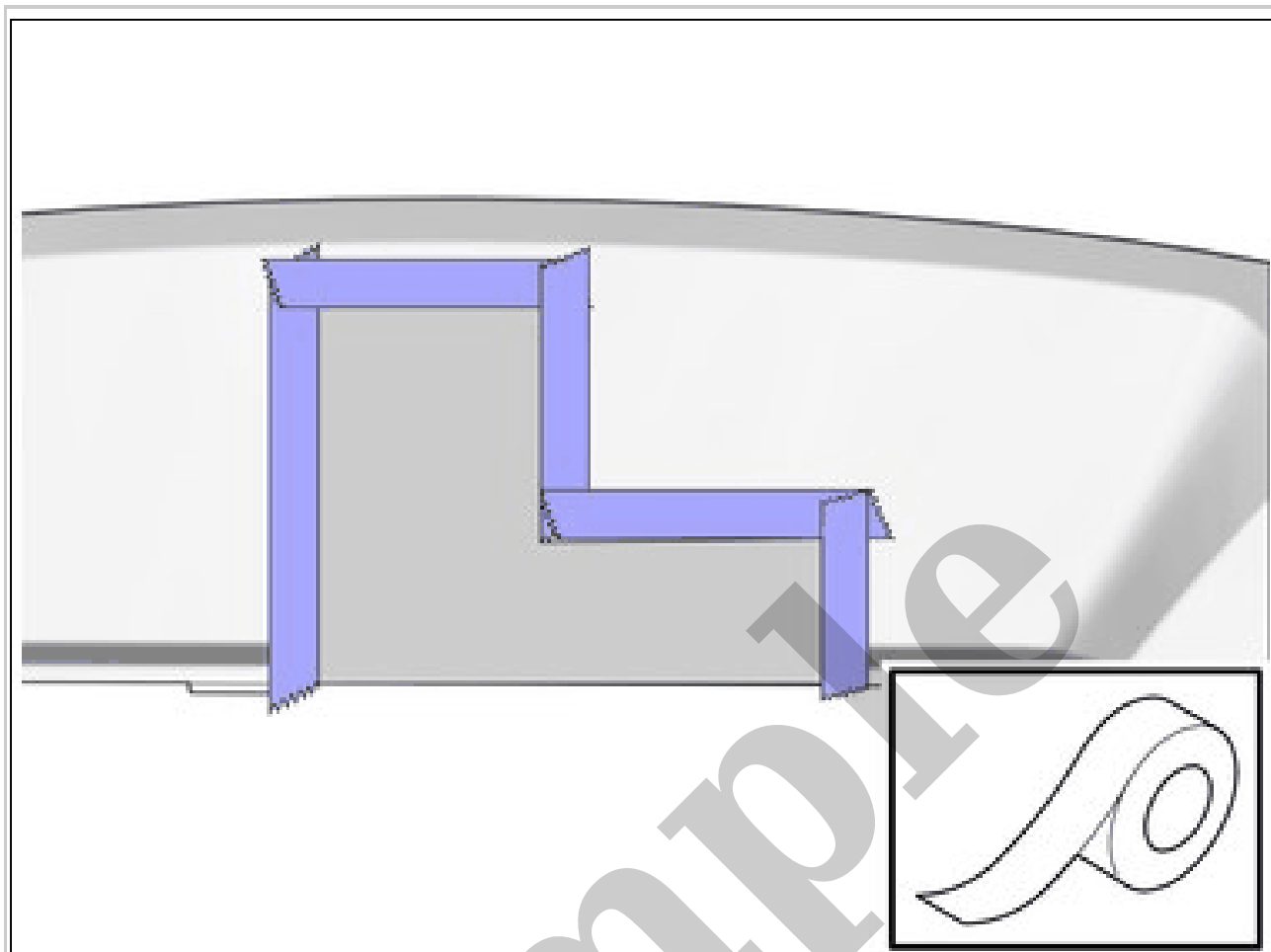


Your Ultimate Source for OEM Repair Manuals

FactoryManuals.net is a great resource for anyone who wants to save money on repairs by doing their own work. The manuals provide detailed instructions and diagrams that make it easy to understand how to fix a vehicle.

2013 Volvo XC70 Manual - Complete Service & Repair

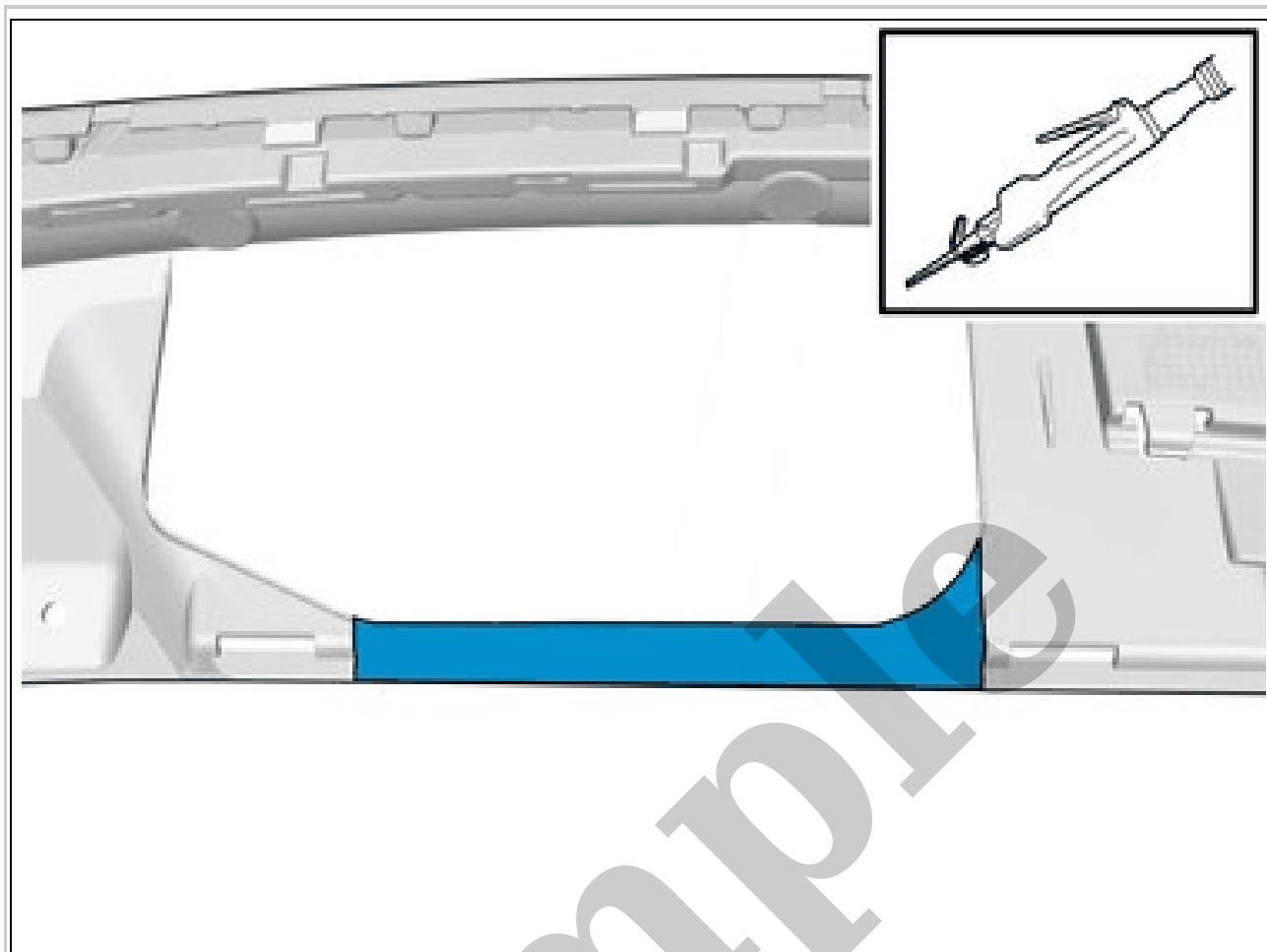
[Go to manual page](#)



Courtesy of VOLVO CARS CORPORATION

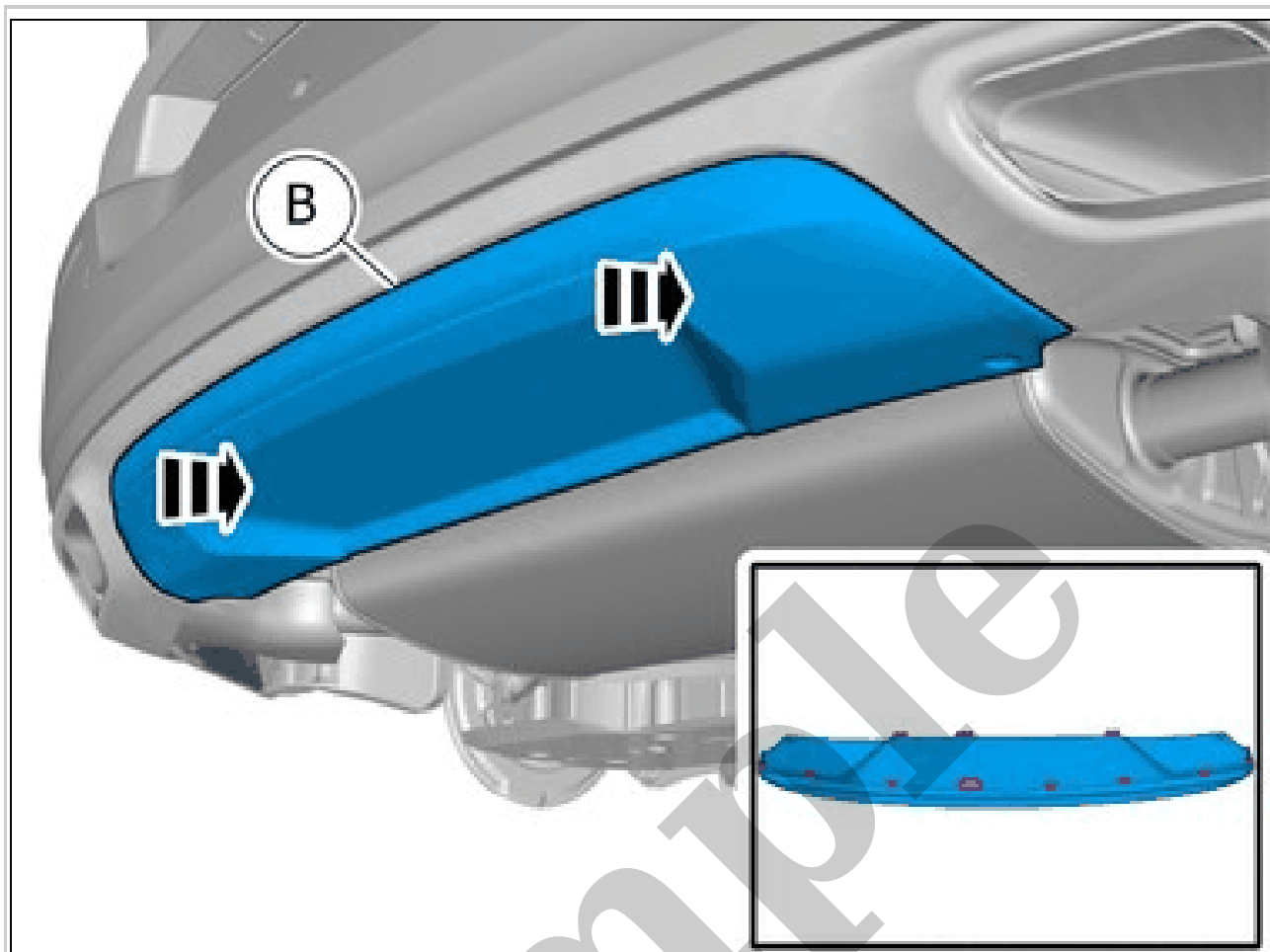
Apply tape to the other side, opposite the marking lines.

Use: Masking tape,



Courtesy of VOLVO CARS CORPORATION

Remove the marked part.
Use: Air-powered air saw



Courtesy of VOLVO CARS CORPORATION

Install component that comes with the accessory kit.
Ensure that all clips engage.

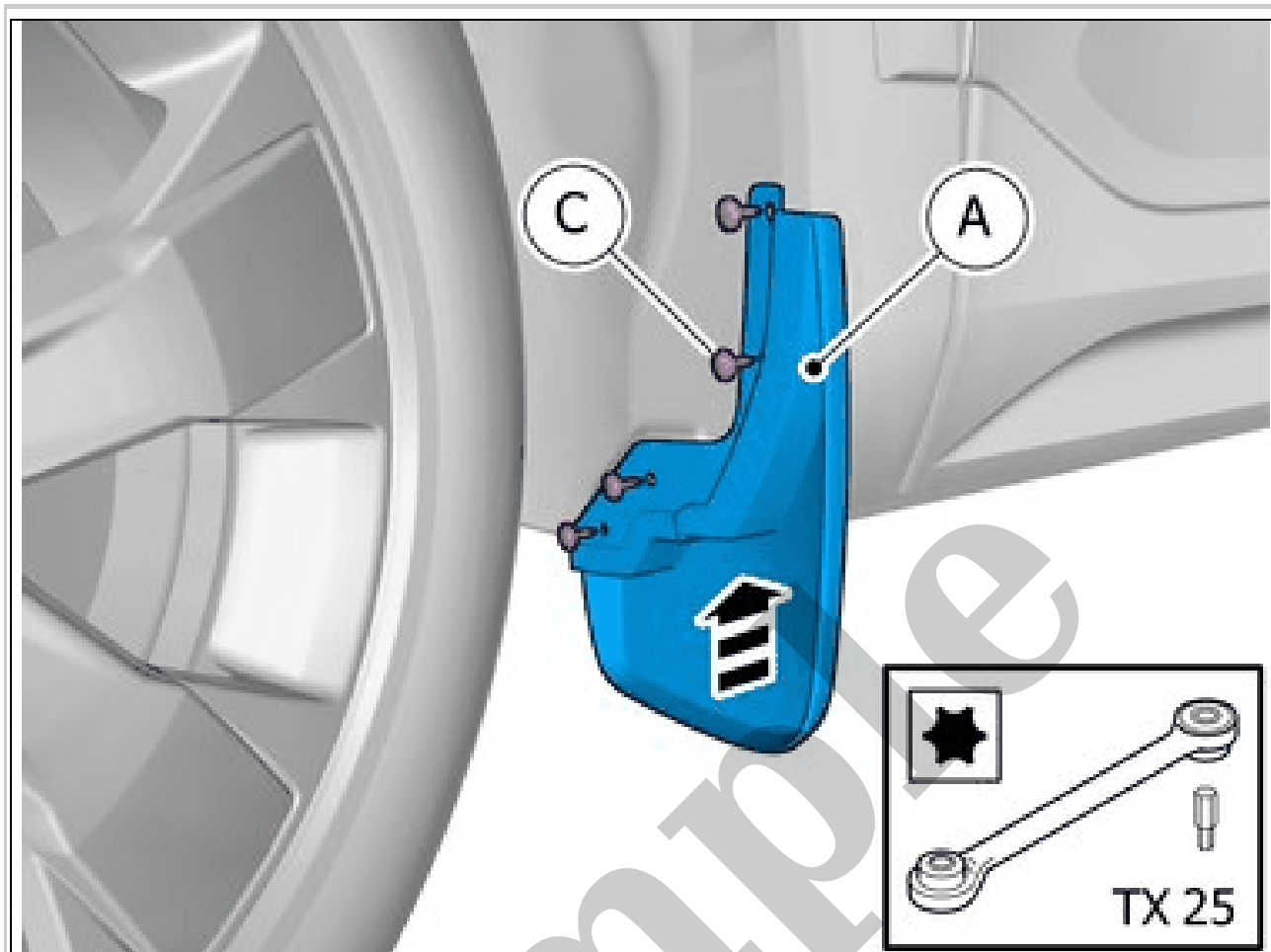


Courtesy of VOLVO CARS CORPORATION

INFORMATION

- Read through all of the instructions before starting installation.
- Notifications and warning texts are for your safety and to minimize the risk of something breaking during installation.
- Ensure that all tools stated in the instructions are available before starting installation.
- Certain steps in the instructions are only presented in the form of images. Explanatory text is also given for more complicated steps.
- In the event of any problems with the instructions or the accessory, contact your local Volvo dealer.

COLOR SYMBOLS

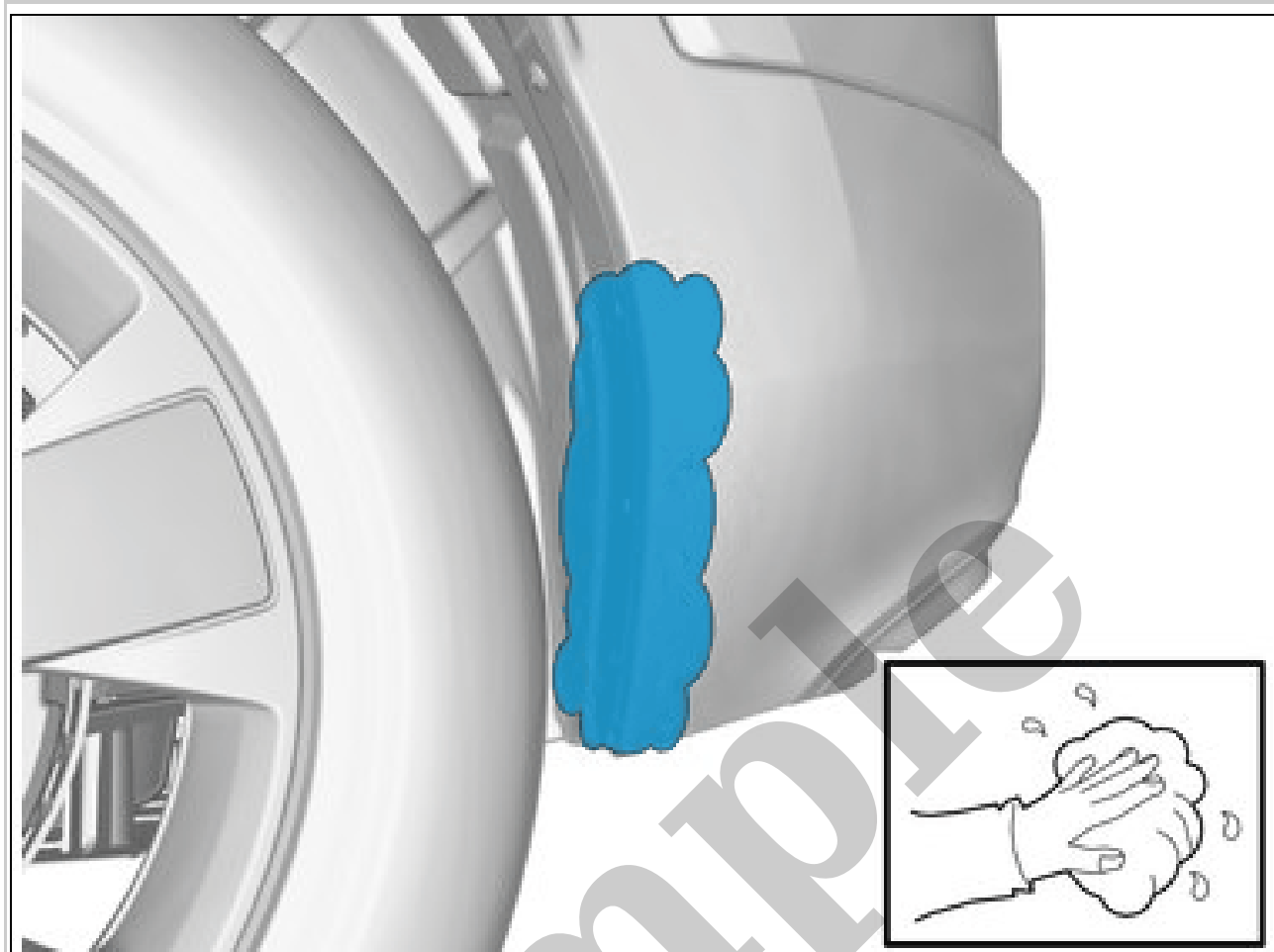


Courtesy of VOLVO CARS CORPORATION

Install component that comes with the accessory kit.
Repeat all method steps for the other side.

MUDFLAPS, REAR > MUDFLAPS, REAR [2018-2022] > ACCESSORY INSTALLATION

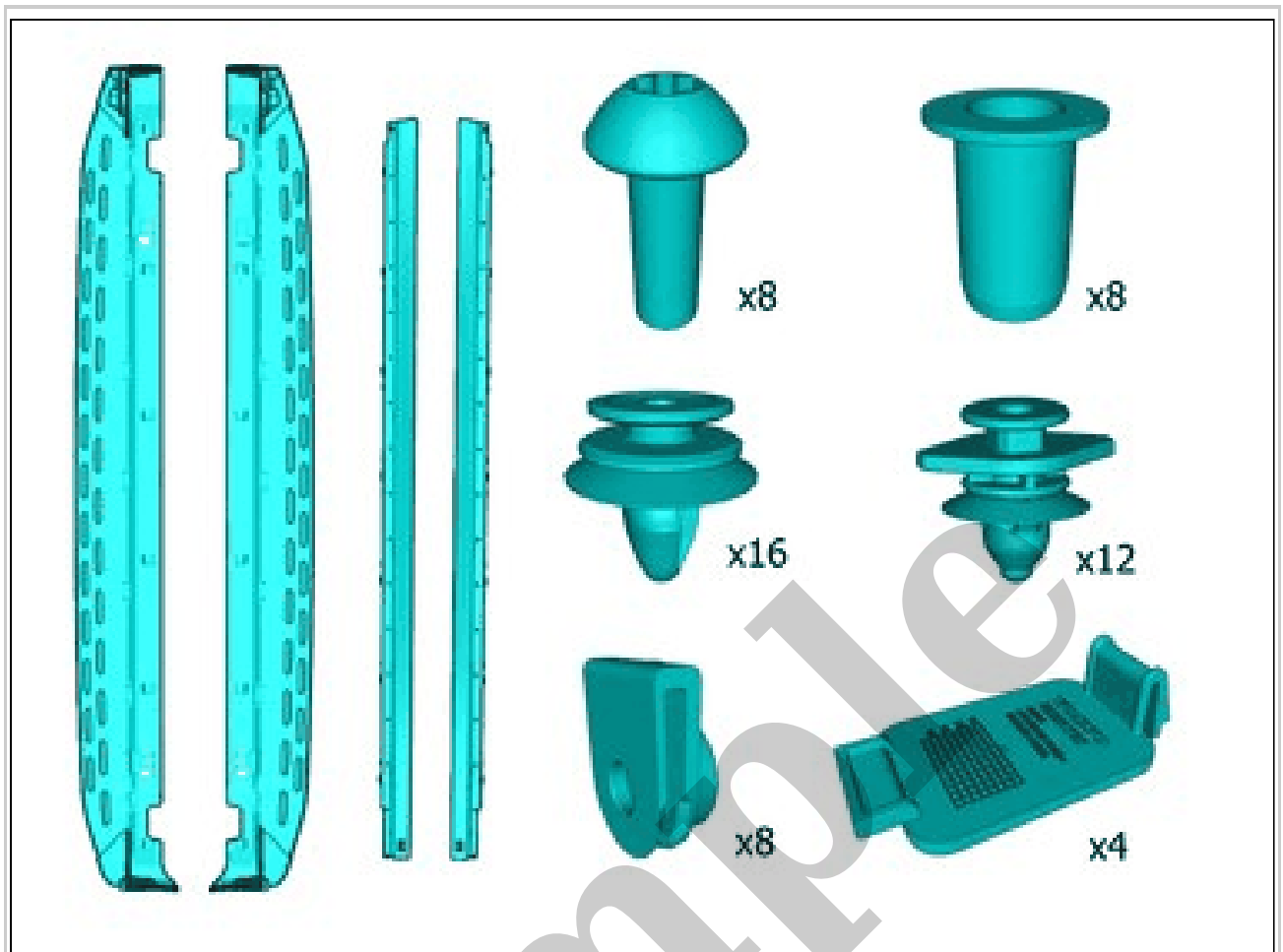
Equipment



Courtesy of VOLVO CARS CORPORATION

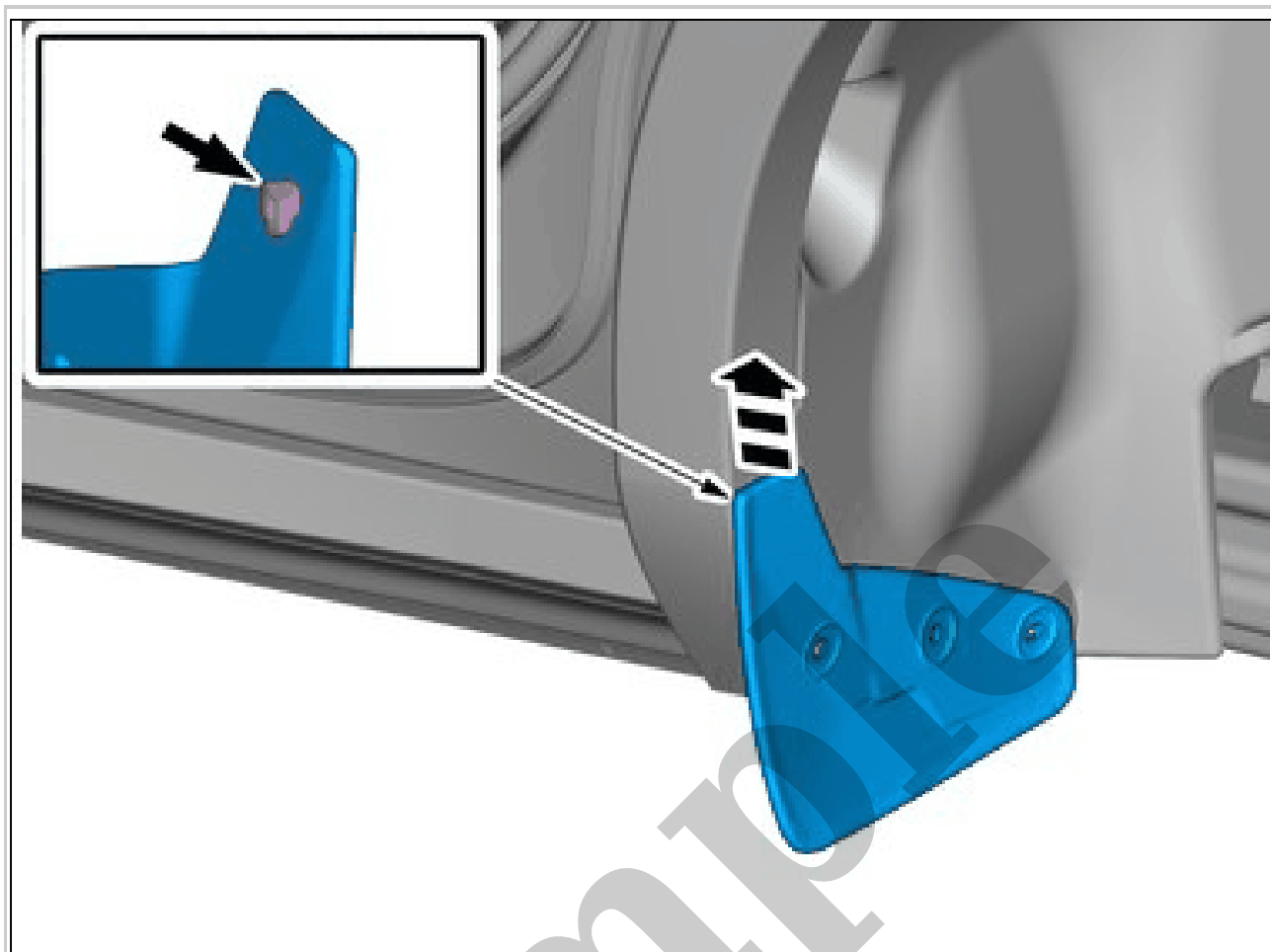
Clean the surface.

ACCESSORY INSTALLATION



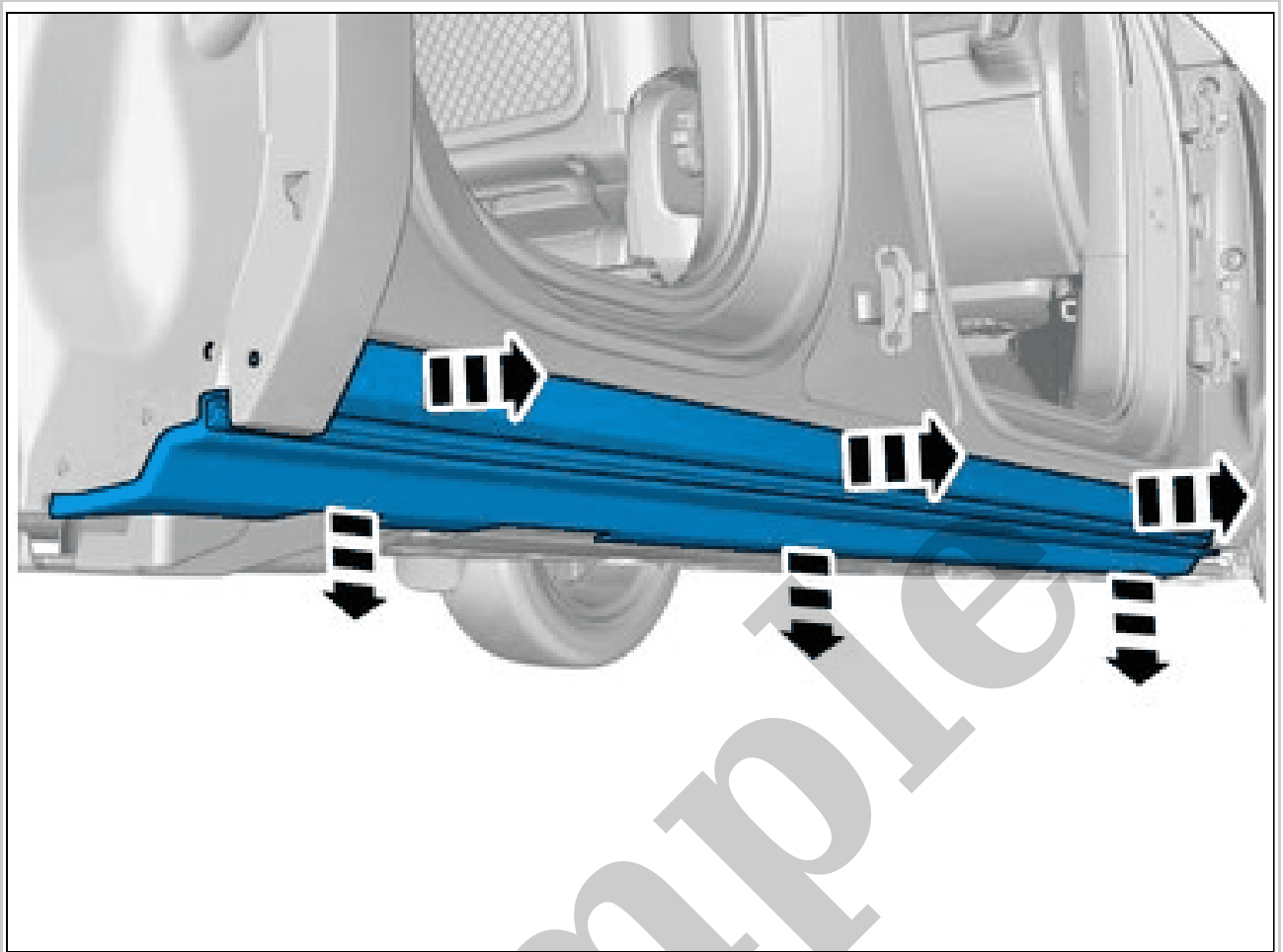
Courtesy of VOLVO CARS CORPORATION

SPECIAL TOOLS



Courtesy of VOLVO CARS CORPORATION

Remove the marked part.



Courtesy of VOLVO CARS CORPORATION

Remove the marked part.