

# Your Ultimate Source for OEM Repair Manuals

FactoryManuals.net is a great resource for anyone who wants to save money on repairs by doing their own work. The manuals provide detailed instructions and diagrams that make it easy to understand how to fix a vehicle.

## **Volvo XC60 2013 Manual - Service & Repair Workshop Guide**

[Go to manual page](#)



Courtesy of VOLVO CARS CORPORATION

### Component overview

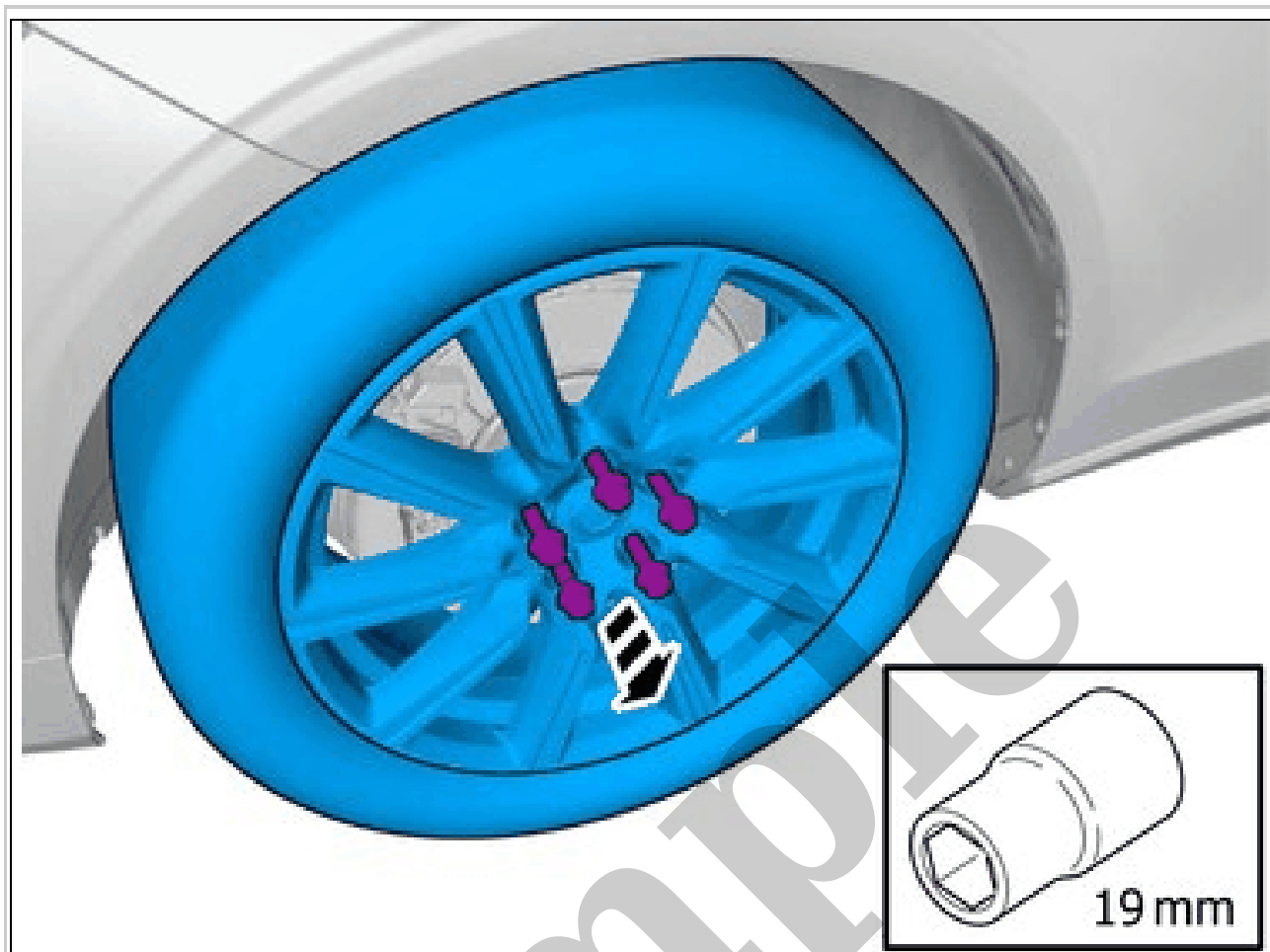


Courtesy of VOLVO CARS CORPORATION

Download the appropriate software (application) for the accessory's function according to the service information in VIDA.

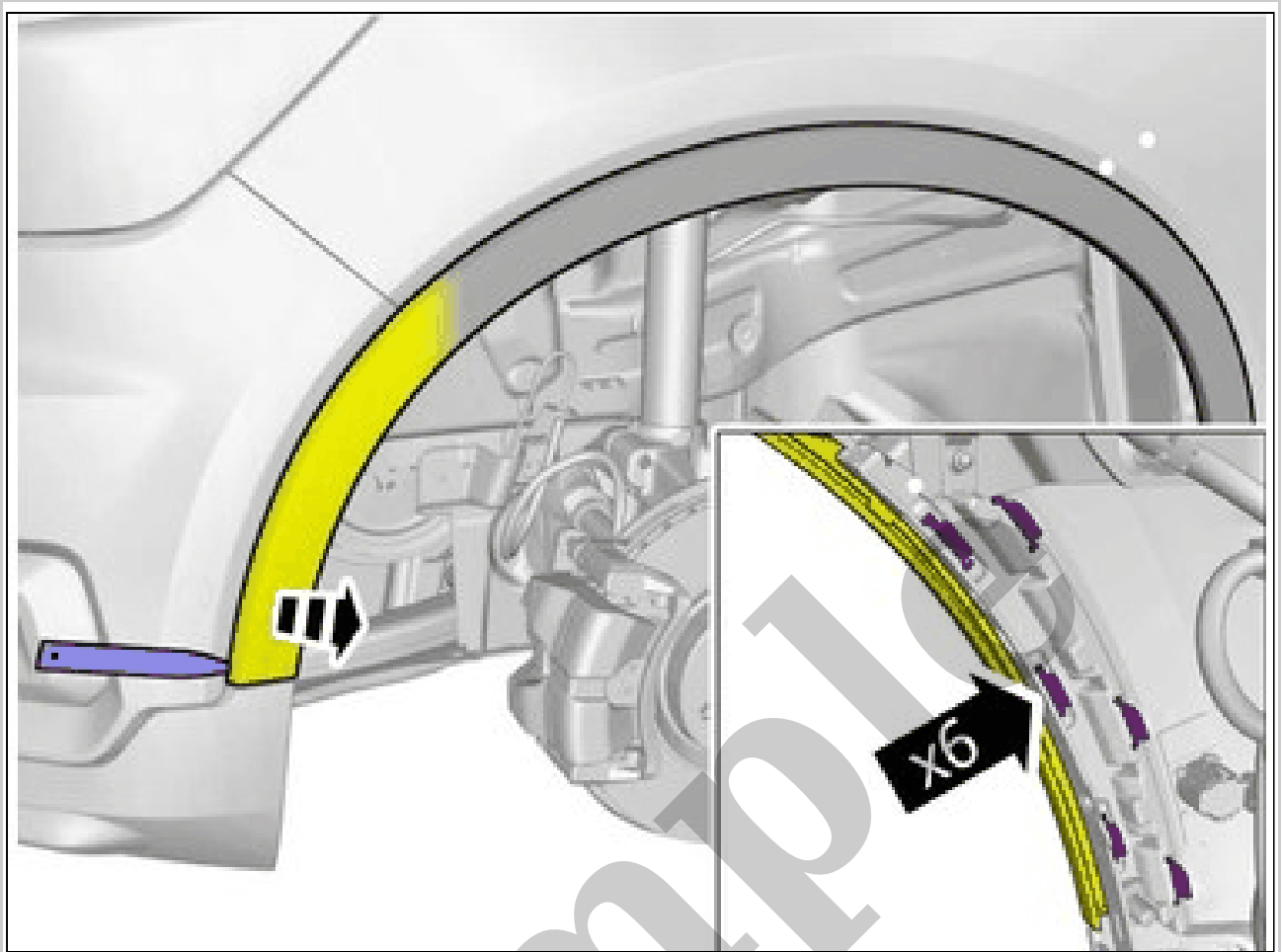
Order and download the appropriate software

**REMOVAL**



Courtesy of VOLVO CARS CORPORATION

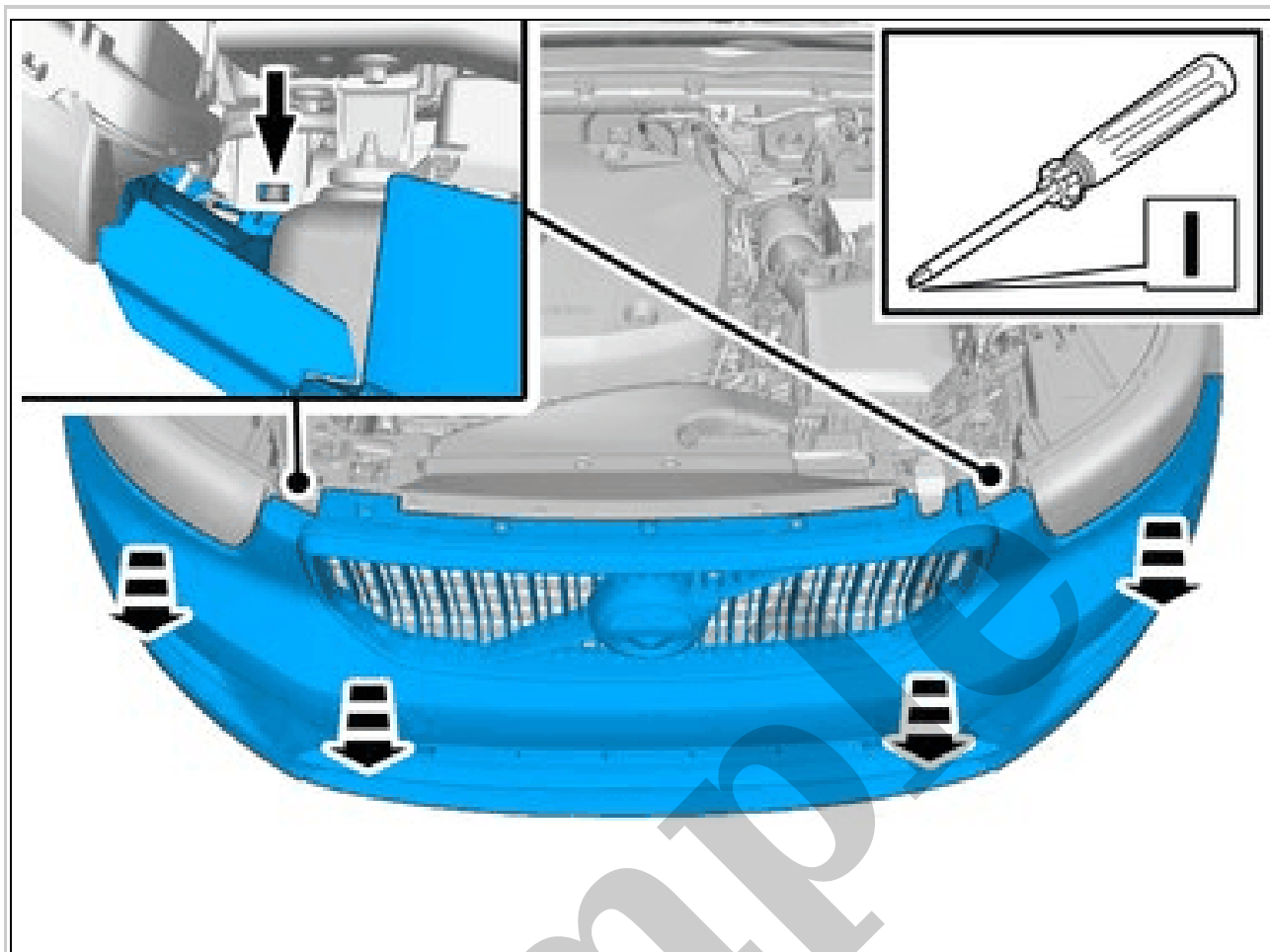
Remove the marked detail/details.



Courtesy of VOLVO CARS CORPORATION

**CAUTION:** *Make sure not to damage painted surfaces.*

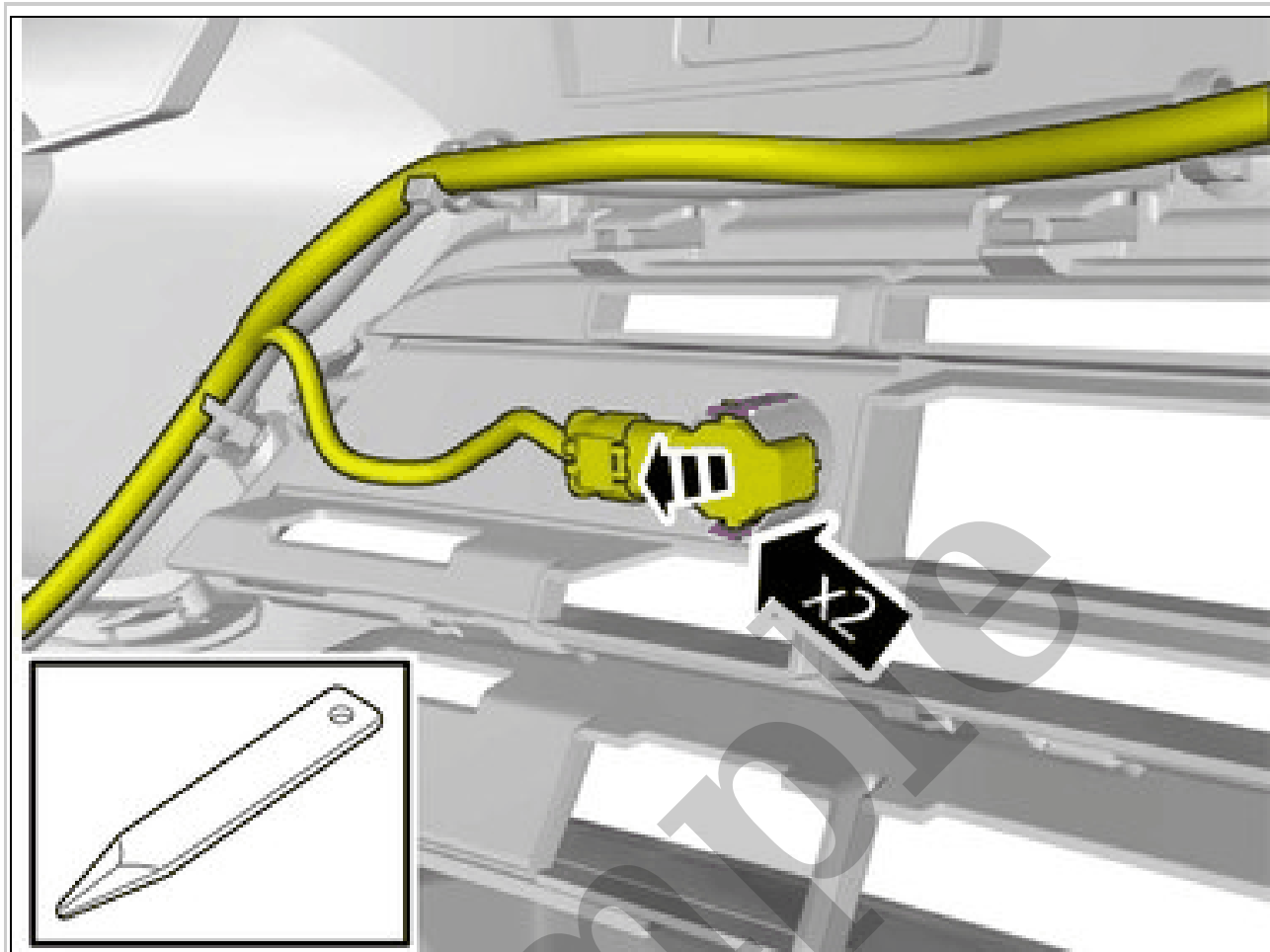
Loosen the component indicated. Do not remove it.



Courtesy of VOLVO CARS CORPORATION

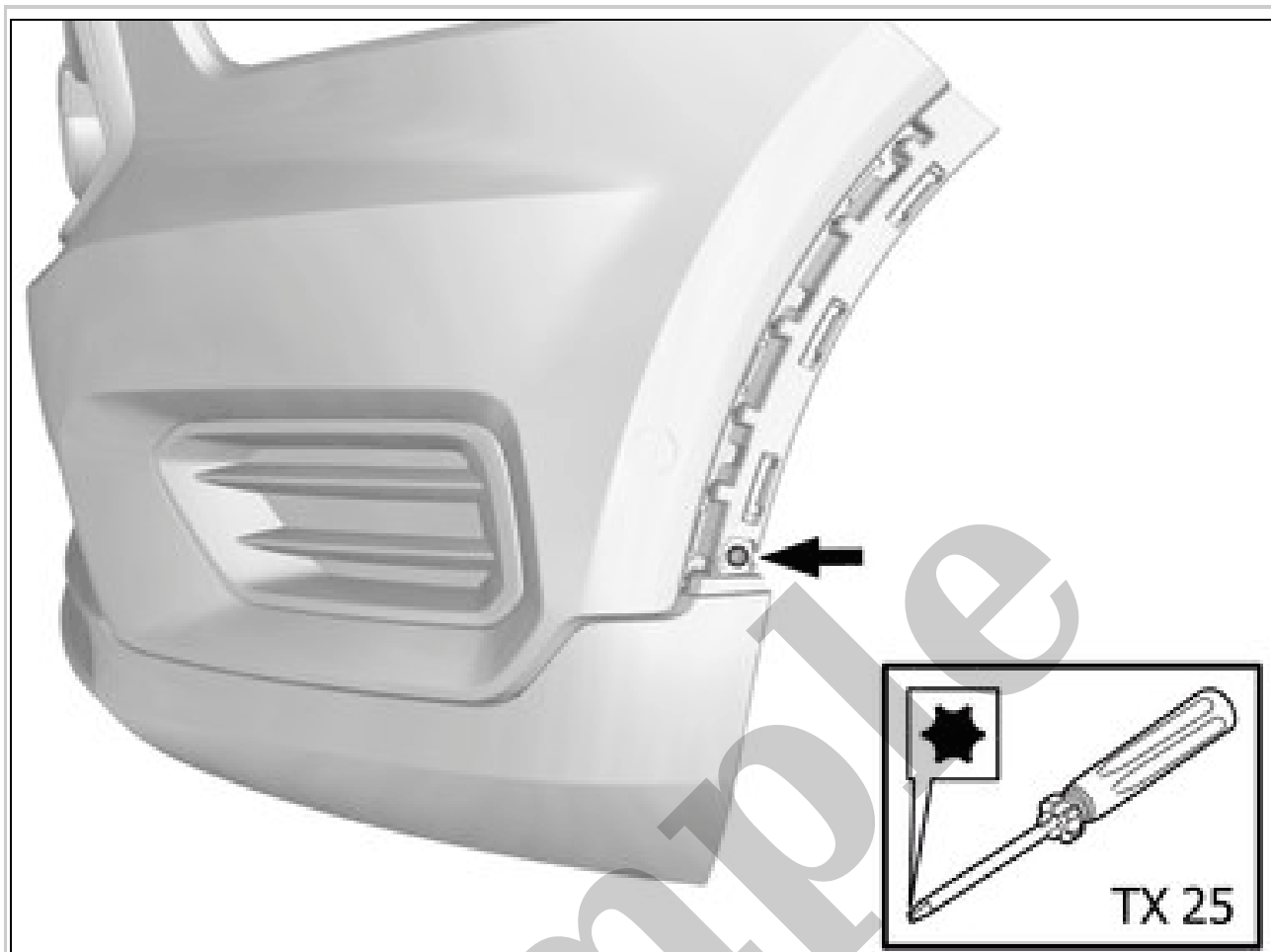
**CAUTION:** Place the Bumper Cover on a suitable surface.

Request the aid of a colleague for this procedure.  
Remove the marked part.



Courtesy of VOLVO CARS CORPORATION

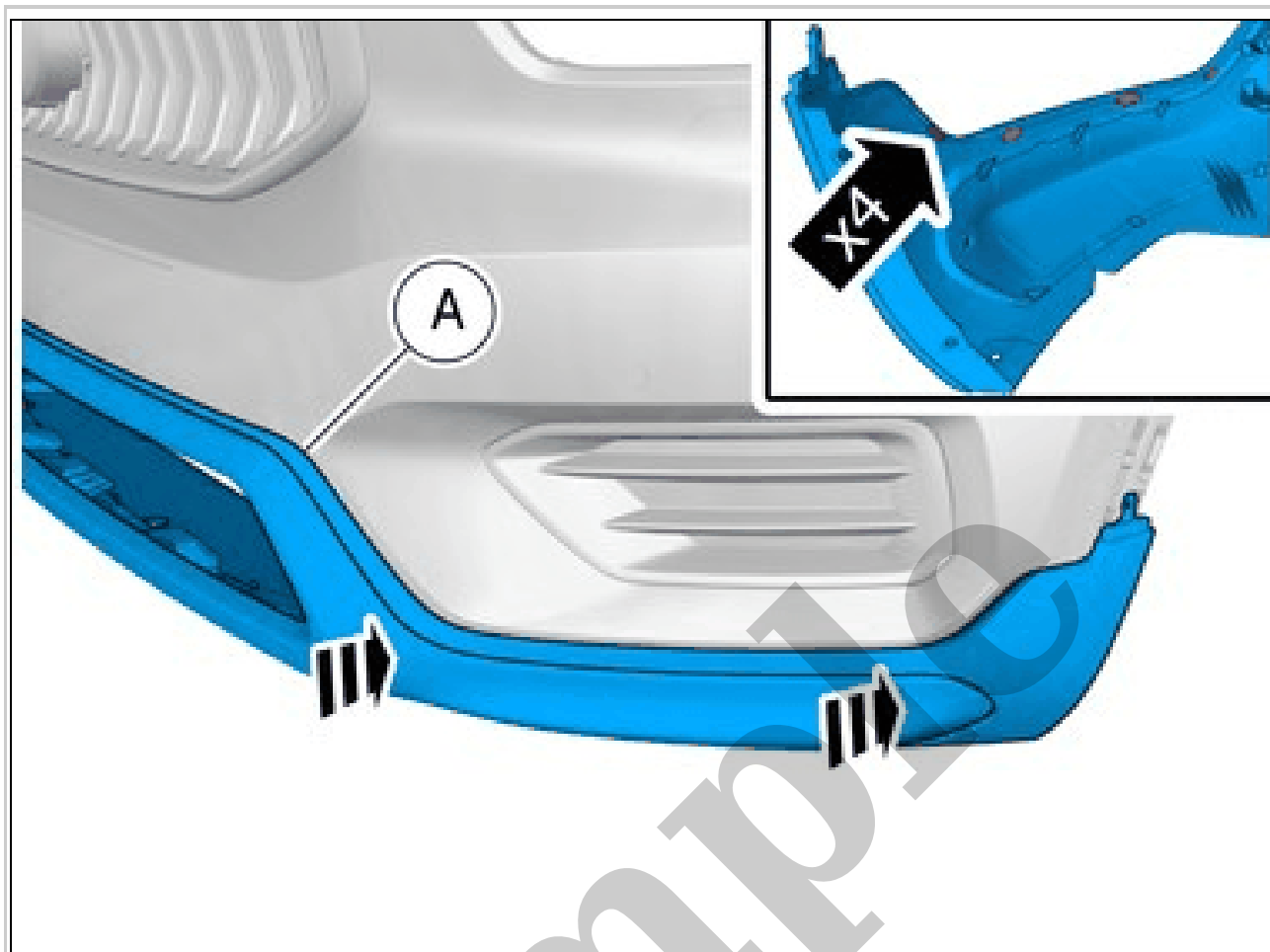
Release the catches.  
Fold marked part aside.



Courtesy of VOLVO CARS CORPORATION

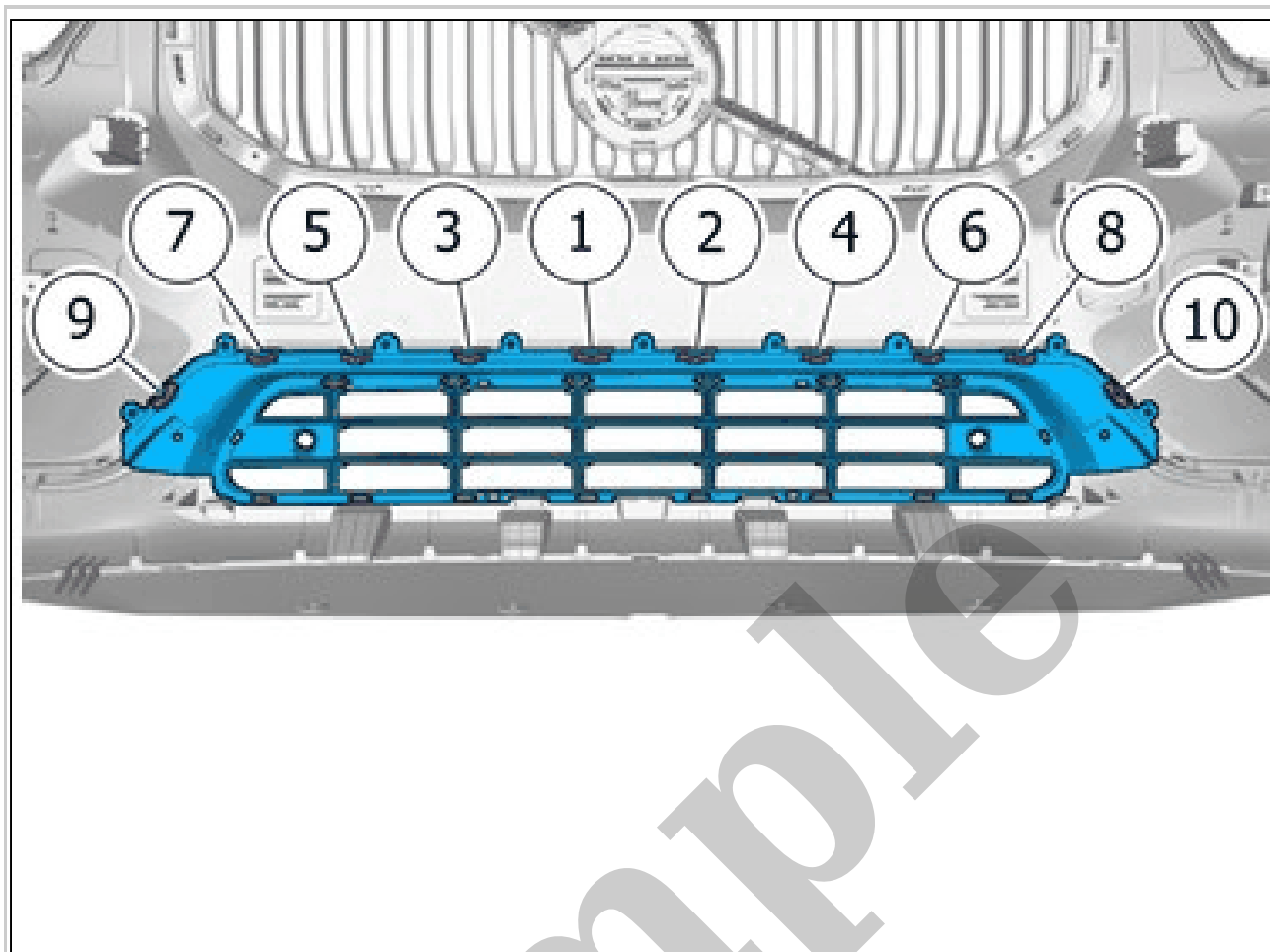
Remove the screw.  
Repeat on the other side.





Courtesy of VOLVO CARS CORPORATION

Install component that comes with the accessory kit.  
Ensure that all clips engage.  
Repeat on the other side.



Courtesy of VOLVO CARS CORPORATION

**NOTE:** Make sure to follow the sequence indicated.

Press the marked component.  
Ensure that all clips engage.